



US00D906256S

(12) **United States Design Patent**
Oishi et al.

(10) **Patent No.:** **US D906,256 S**

(45) **Date of Patent:** **** Dec. 29, 2020**

(54) **MOTOR**

(71) Applicant: **EBARA CORPORATION**, Tokyo (JP)

(72) Inventors: **Yohei Oishi**, Tokyo (JP); **Takahide Ozawa**, Tokyo (JP); **Kazuma Nishimura**, Tokyo (JP); **Takayuki Kuronuma**, Tokyo (JP); **Akihiro Ochiai**, Tokyo (JP); **Ryoko Ikegami**, Tokyo (JP); **Prateek Ninave**, Tokyo (JP); **Naoki Katayama**, Tokyo (JP)

(73) Assignee: **EBARA CORPORATION**, Tokyo (JP)

(**) Term: **15 Years**

(21) Appl. No.: **29/699,707**

(22) Filed: **Jul. 29, 2019**

(30) **Foreign Application Priority Data**

Jan. 31, 2019 (JP) 2019-001912

(51) **LOC (12) Cl.** **13-03**

(52) **U.S. Cl.**
USPC **D13/152**; D13/112

(58) **Field of Classification Search**
USPC D13/103, 107, 108, 110, 112, 113, 114,
D13/117, 118, 119, 122, 152, 156, 184,
D13/199; D15/1, 5; D23/370
CPC H02K 11/00; H02K 15/16; H05K 5/00
See application file for complete search history.

(56) **References Cited**

U.S. PATENT DOCUMENTS

D152,169 S * 12/1948 Raney D13/119
D236,985 S * 9/1975 Baumann D13/114
D254,846 S * 4/1980 Wood D13/110
5,311,090 A * 5/1994 Ferlatte H02K 5/10
310/88

6,093,990 A * 7/2000 Meeks H02K 5/10
310/59
D431,572 S * 10/2000 Antony D15/5
D636,343 S * 4/2011 Leal D13/152
D660,252 S * 5/2012 Hargreaves D13/156
D673,667 S * 1/2013 McElveen D23/370
D799,431 S * 10/2017 Joshi D13/152
D817,877 S * 5/2018 Grillenberger D13/112
2002/0117919 A1 * 8/2002 Williams H02K 5/225
310/89

(Continued)

OTHER PUBLICATIONS

“Terminal Box for Motor”. Found online Sep. 30, 2020 at electricvogue.blogspot.com. Reference dated Aug. 30, 2010. Retrieved from <http://electricvogue.blogspot.com/2010/08/final-terminal-box-for-motor.html>. (Year: 2010).*

(Continued)

Primary Examiner — Kendra Leslie Hamilton

Assistant Examiner — Amanda Christensen

(74) *Attorney, Agent, or Firm* — Pearne & Gordon LLP

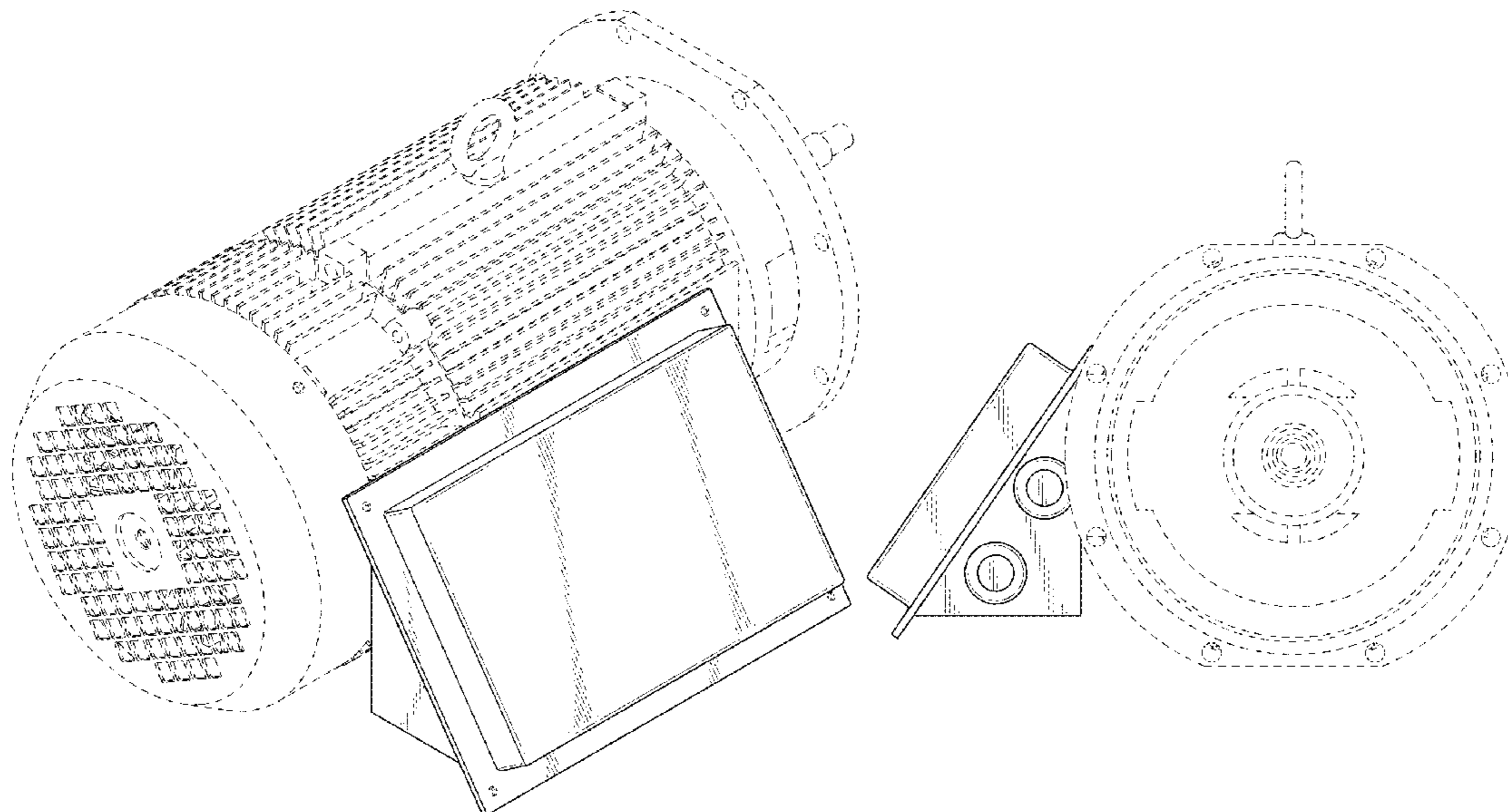
(57) **CLAIM**

The ornamental design for a motor, as shown and described.

DESCRIPTION

FIG. 1 is a top, front, left perspective view of a motor, showing our new design;
FIG. 2 is a top, rear, right perspective view thereof;
FIG. 3 is a front elevation view thereof;
FIG. 4 is a rear elevation view thereof;
FIG. 5 is a left side elevation view thereof;
FIG. 6 is a right side elevation view thereof;
FIG. 7 is a top plan view thereof; and,
FIG. 8 is a bottom plan view thereof.
The broken lines depict portions of the motor that form no part of the claimed design.

1 Claim, 8 Drawing Sheets



(56)

References Cited

U.S. PATENT DOCUMENTS

2006/0055254 A1* 3/2006 Pellegrino H02K 17/16
310/58

OTHER PUBLICATIONS

“Elektrim-Full-Line-Overview”. Found online Sep. 10, 2020 at elektrimmotors.com. Reference dated Jul. 2017. Retrieved from <https://elektrimmotors.com/media/Elektrim-Full-Line-Overview-4pg.pdf>. (Year: 2017).*

“TMEIC Motor”. Found online Sep. 10, 2020 at tmeic.com. Reference dated Mar. 10, 2010. Retrieved from https://tineye.com/search/d46a8ef76d29865f5356ca1e79cb7d591884e1cc?sort=crawl_date&order=asc&page=1. (Year: 2010).*

* cited by examiner

FIG. 1

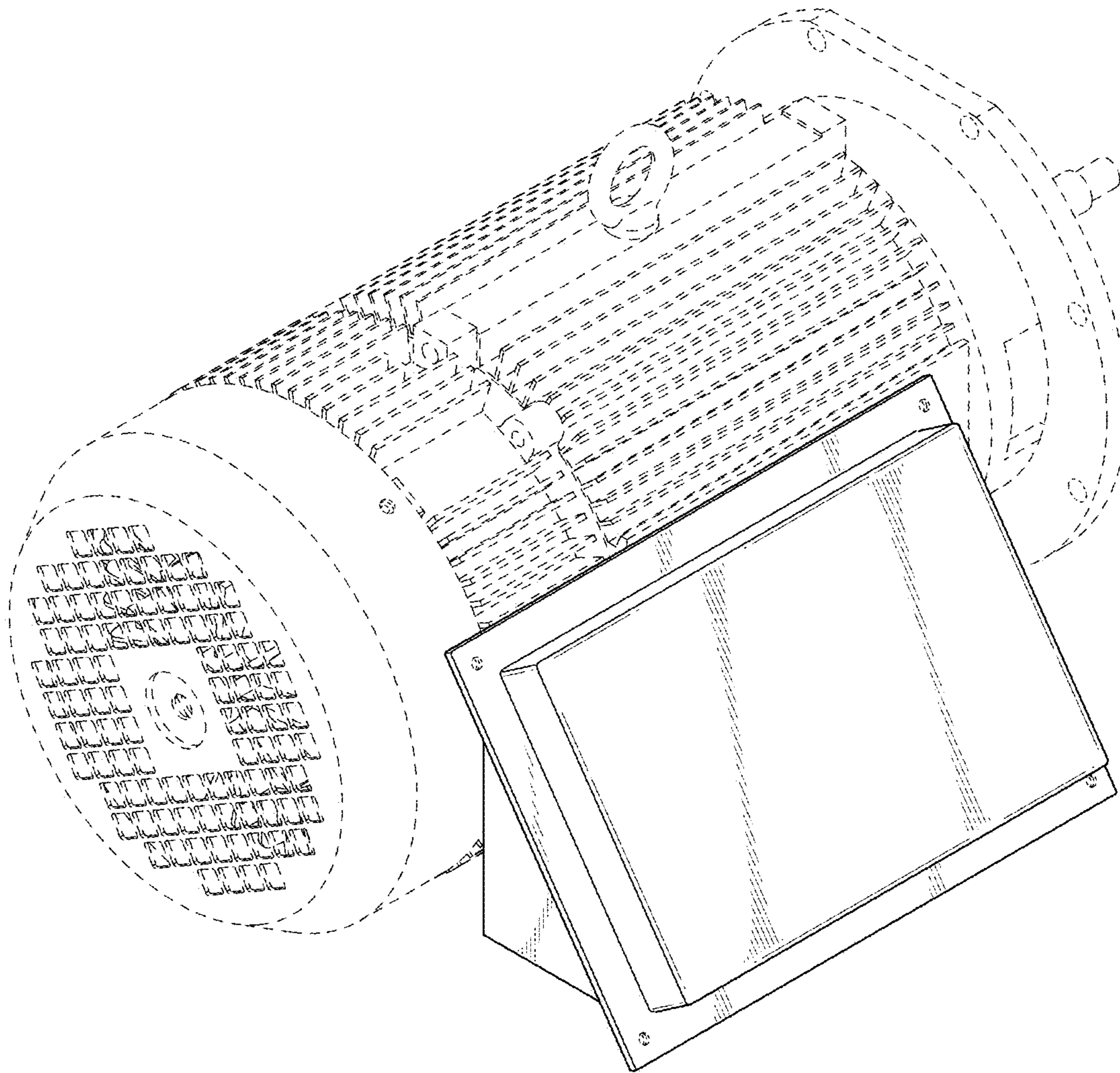


FIG. 2

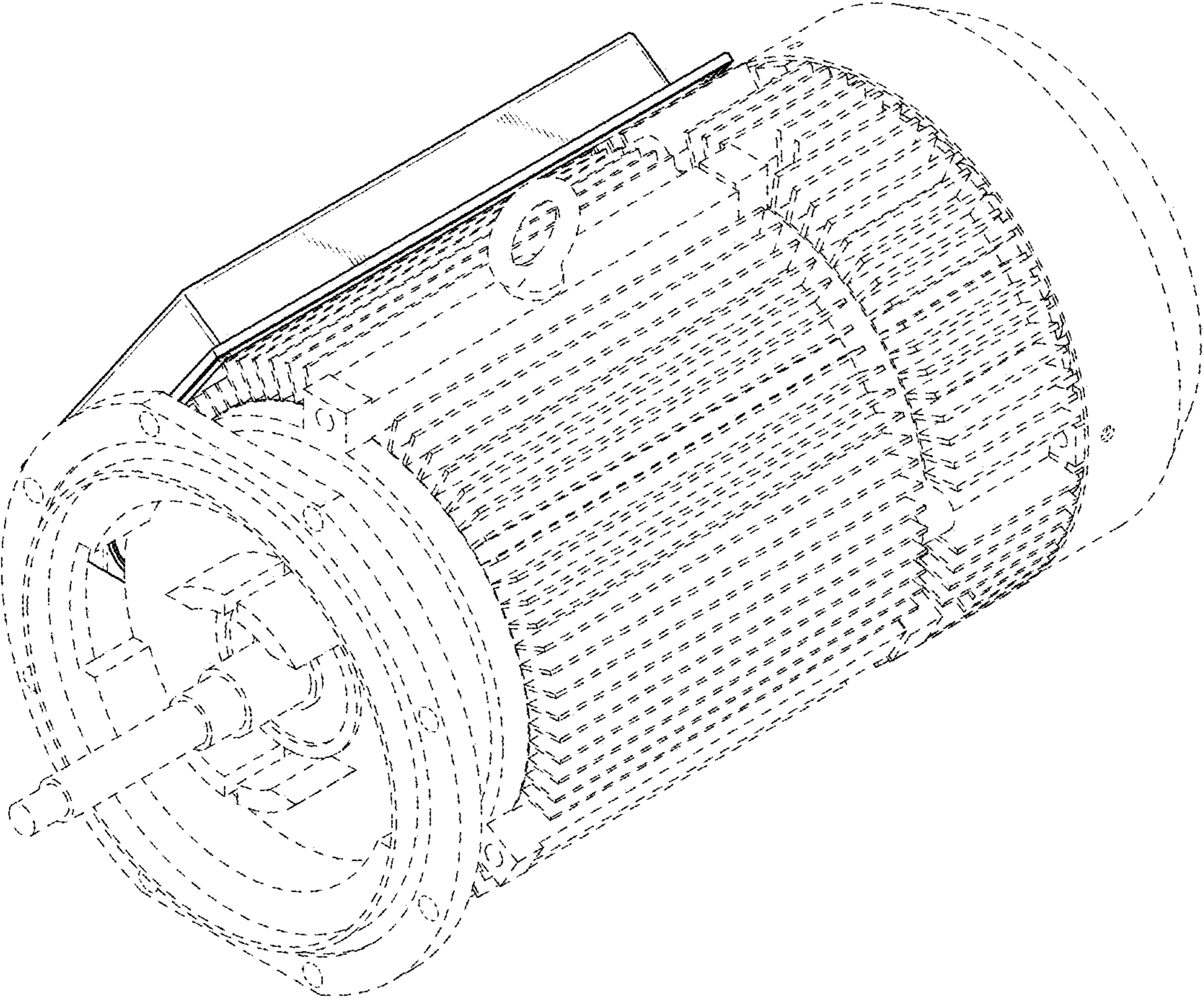


FIG. 3

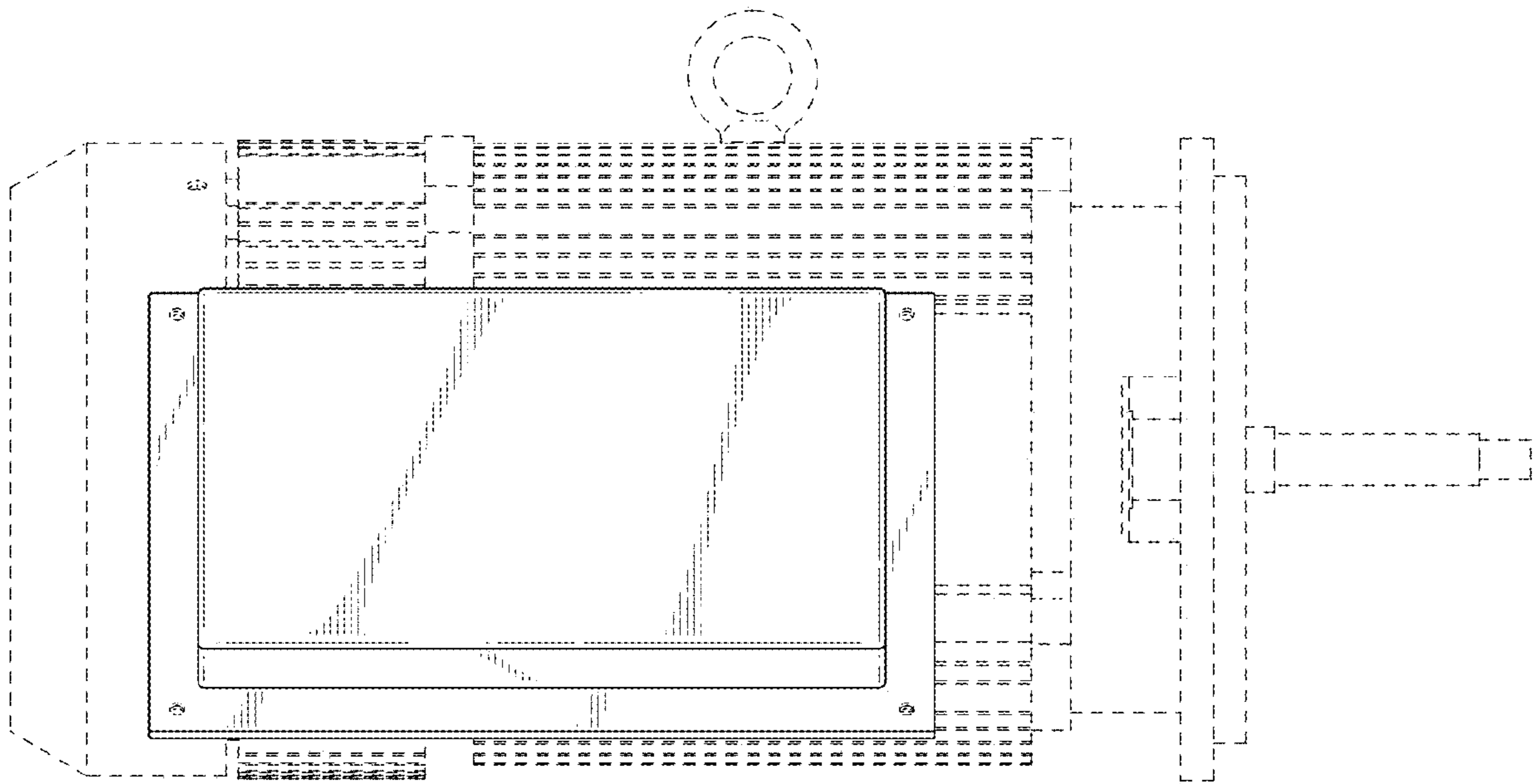


FIG. 4

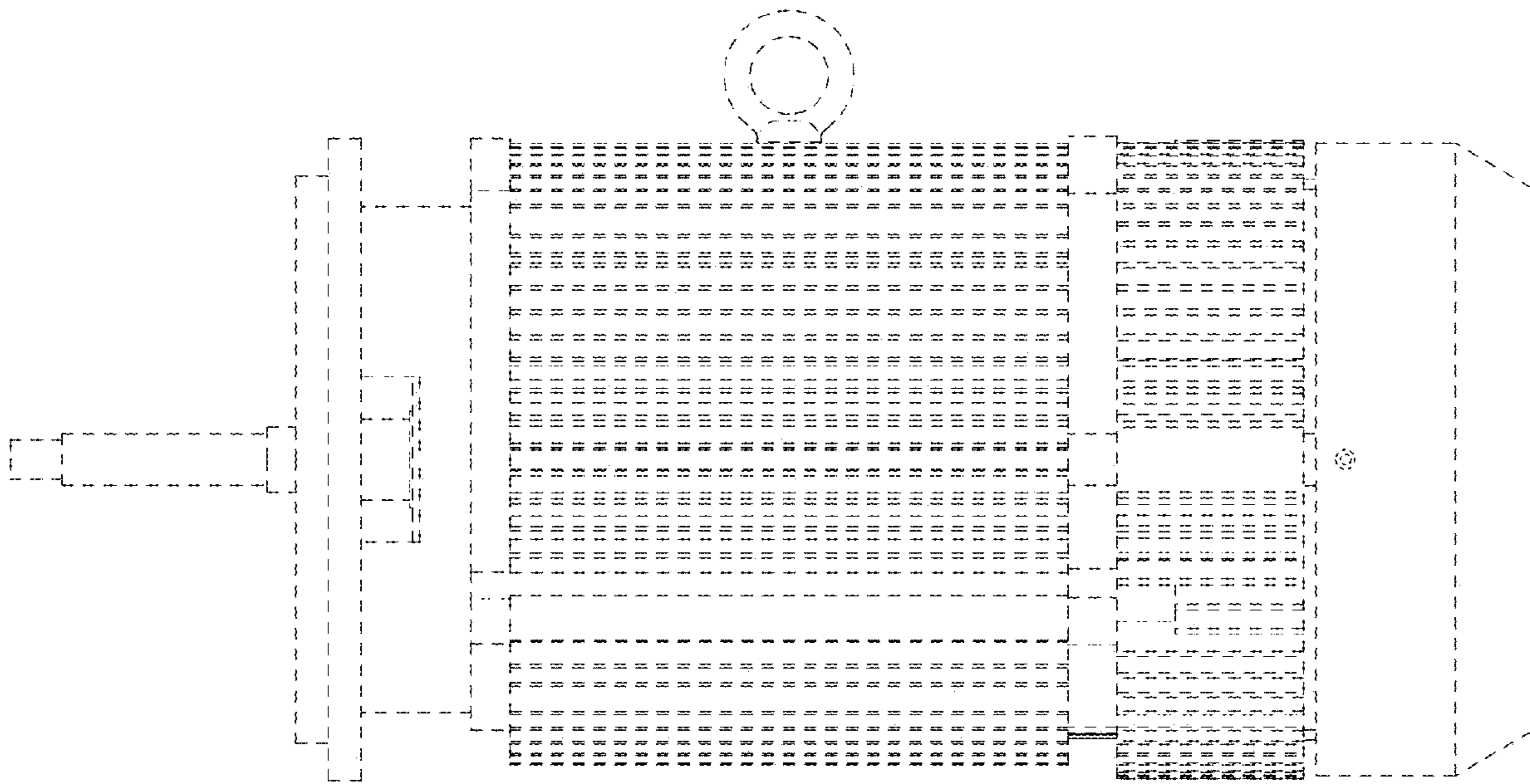


FIG. 5

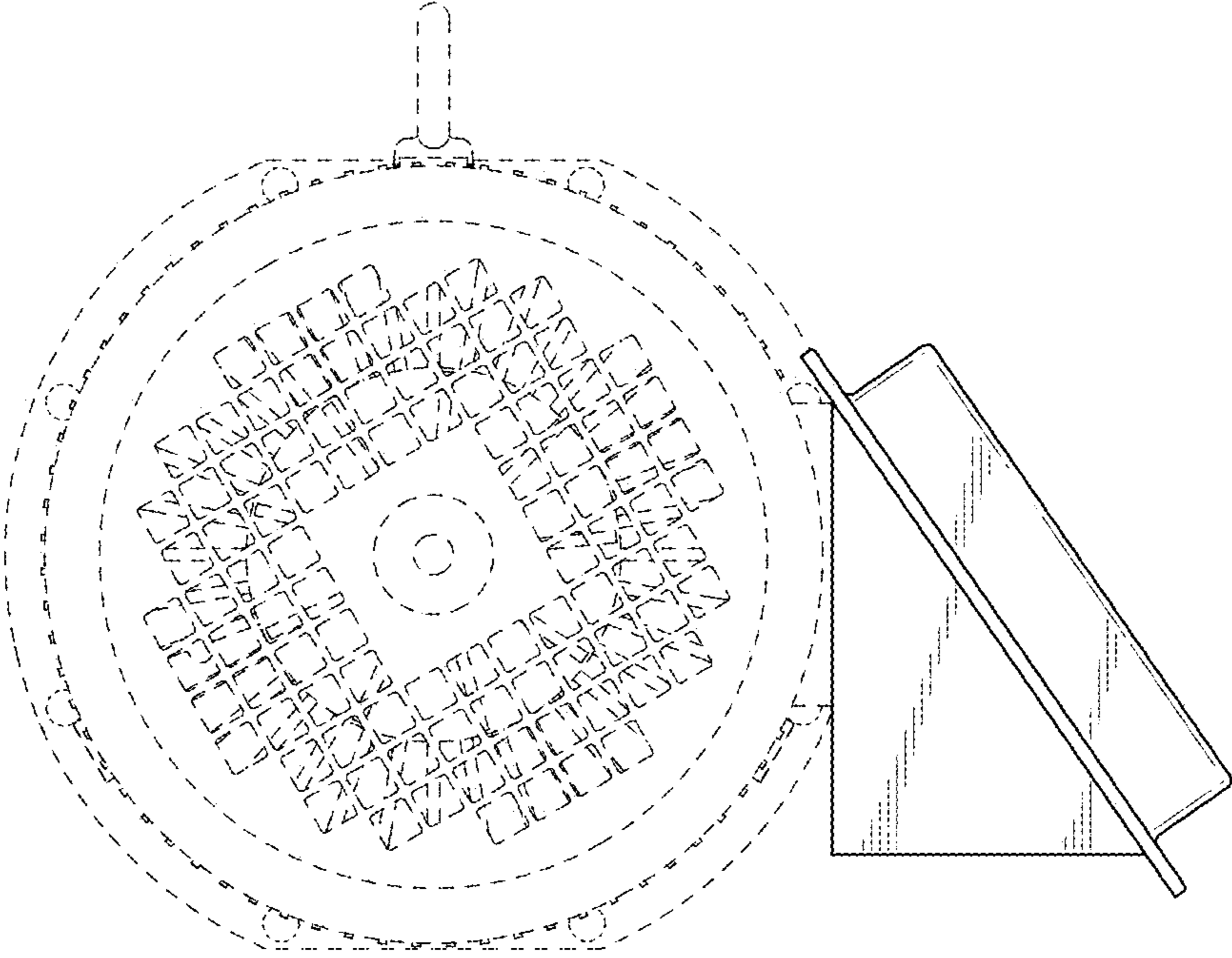


FIG. 6

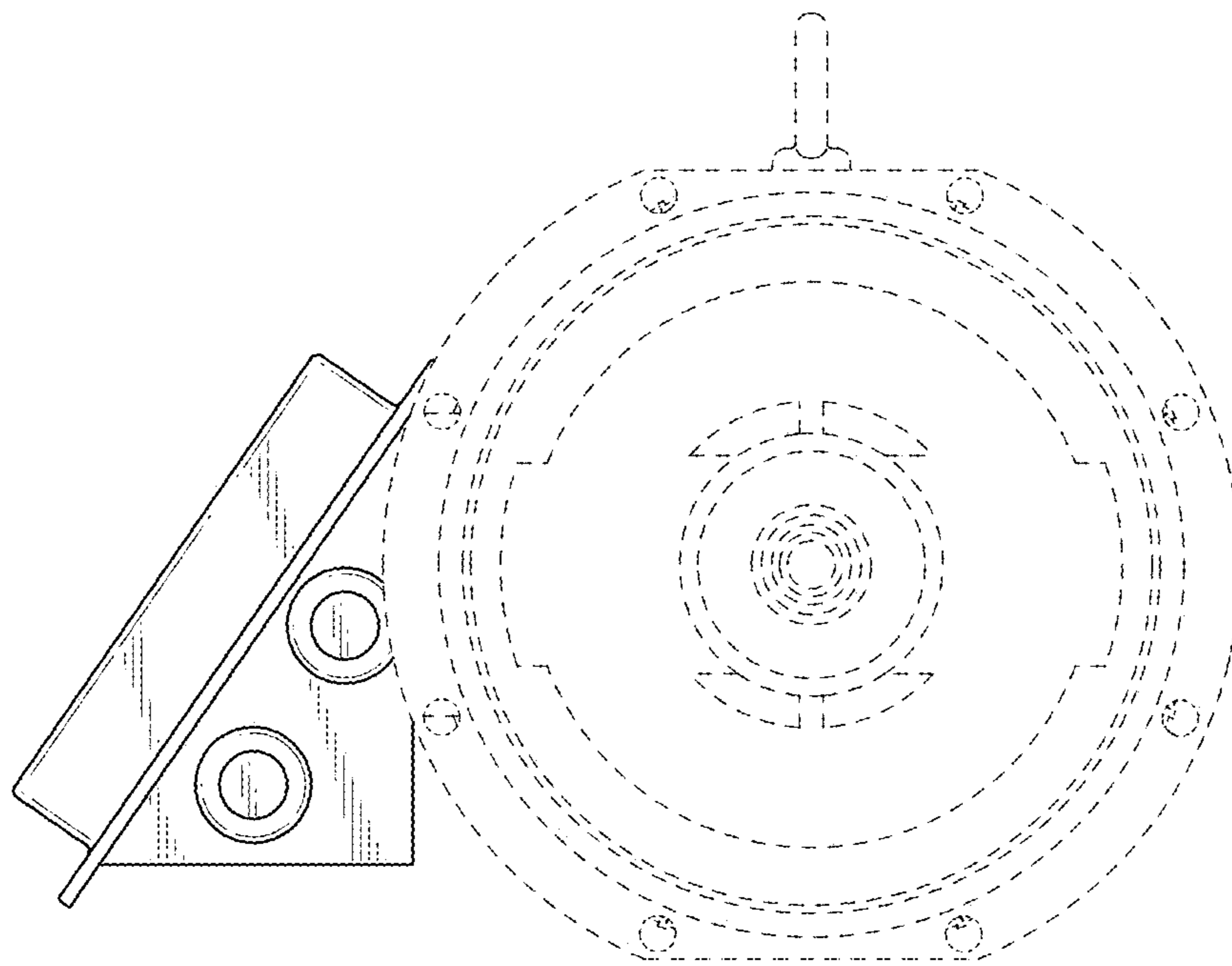


FIG. 7

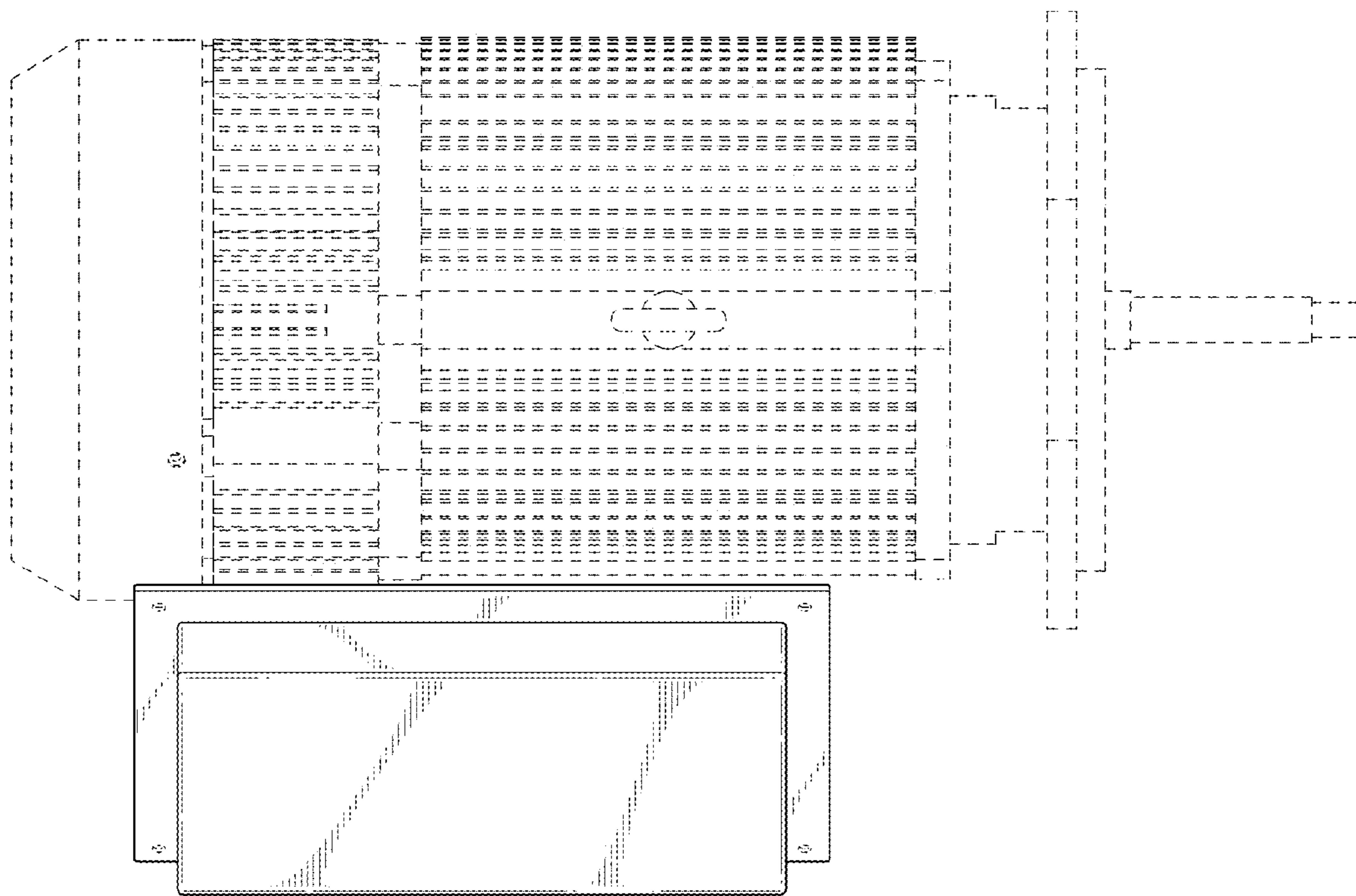


FIG. 8

