



US00D906254S

(12) **United States Design Patent** (10) **Patent No.:** **US D906,254 S**  
**Naganuma et al.** (45) **Date of Patent:** **\*\* Dec. 29, 2020**

(54) **ELECTRICAL CONNECTOR**

(71) Applicant: **HIROSE ELECTRIC CO., LTD.**,  
Tokyo (JP)

(72) Inventors: **Kenichi Naganuma**, Tokyo (JP);  
**Yusuke Sakoda**, Tokyo (JP)

(73) Assignee: **HIROSE ELECTRIC CO., LTD.**,  
Tokyo (JP)

(\*\*) Term: **15 Years**

(21) Appl. No.: **29/670,652**

(22) Filed: **Nov. 19, 2018**

**Related U.S. Application Data**

(62) Division of application No. 29/621,490, filed on Oct. 9, 2017, now Pat. No. Des. 843,945.

(30) **Foreign Application Priority Data**

Jun. 23, 2017 (JP) ..... 2017-013520  
Jun. 23, 2017 (JP) ..... 2017-013521

(51) **LOC (12) Cl.** ..... **13-03**

(52) **U.S. Cl.**  
USPC ..... **D13/147**

(58) **Field of Classification Search**  
USPC ..... D13/101, 112, 110, 118, 120, 123, 133,  
D13/146, 147, 149, 154, 156, 182, 184,  
D13/199; D14/356, 433, 435, 438  
(Continued)

(56) **References Cited**

**U.S. PATENT DOCUMENTS**

D406,817 S \* 3/1999 Wu ..... D13/147  
D408,788 S \* 4/1999 Homma ..... D13/147  
(Continued)

**OTHER PUBLICATIONS**

“Hirose Electric Connector”. Found online May 28, 2020 at docs.rs-online.com. Reference dated Aug. 7, 2017. Retrieved from https://docs.rs-online.com/40af/0900766b816234e6.pdf. (Year: 2017).\*

(Continued)

*Primary Examiner* — Kendra Leslie Hamilton

*Assistant Examiner* — Amanda Christensen

(74) *Attorney, Agent, or Firm* — Rankin, Hill & Clark LLP

(57) **CLAIM**

The ornamental design for an electrical connector, as shown and described.

**DESCRIPTION**

FIG. 1 is a front, top, right perspective view of the electrical connector, showing our new design;

FIG. 2 is a front, bottom, right perspective view thereof;

FIG. 3 is a rear, top, left perspective view thereof;

FIG. 4 is a rear, bottom, left perspective view thereof;

FIG. 5 is a front elevation view thereof;

FIG. 6 is a rear elevation view thereof;

FIG. 7 is a left side elevation view thereof;

FIG. 8 is a right side elevation view thereof;

FIG. 9 is a top plan view thereof;

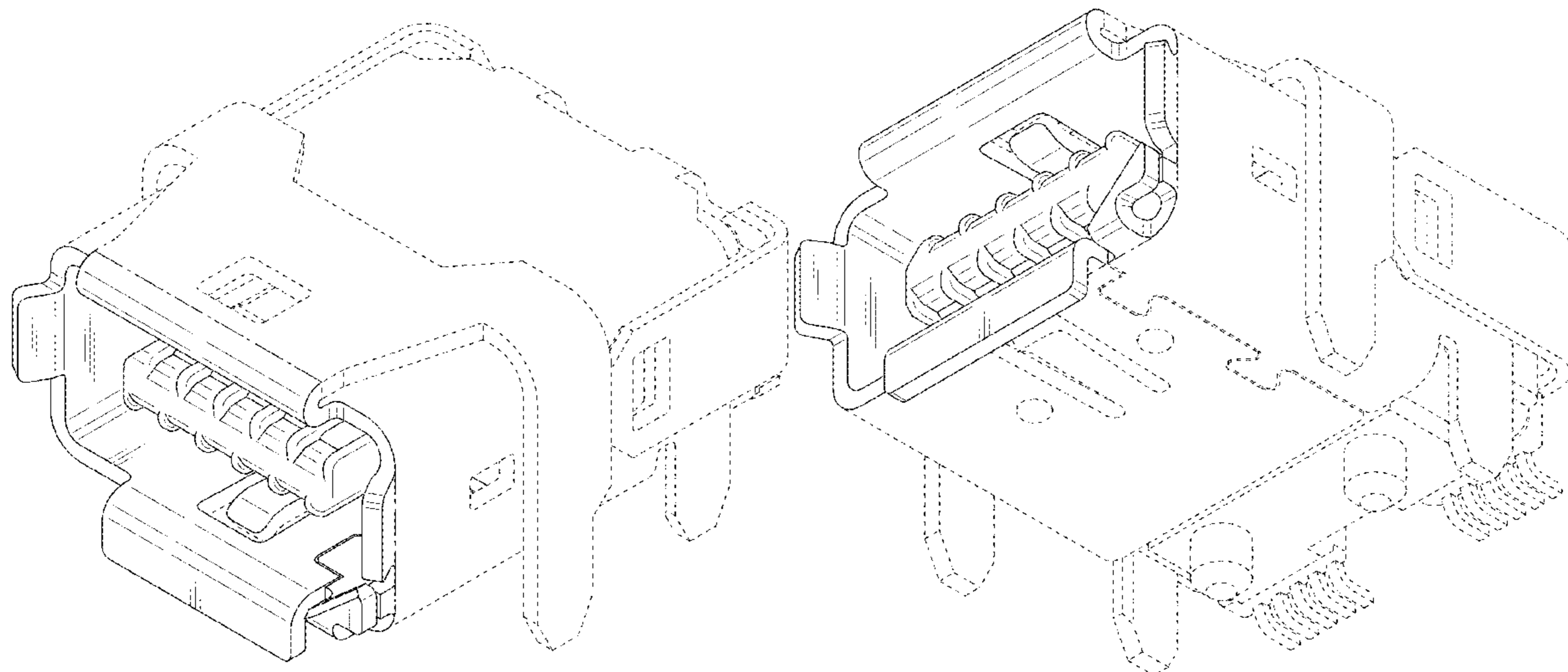
FIG. 10 is a bottom plan view thereof;

FIG. 11 is a cross sectional top plan view of the electrical connector of FIG. 1, taken in the direction of line 11-11 in-of FIG. 5; and,

FIG. 12 is a cross sectional left elevation view of the electrical connector of FIG. 1, taken in the direction of line 12-12 of FIG. 5.

The equal-length broken lines depict portions of the electrical connector that form no part of the claimed design. The dash-dot-dash broken lines define the boundaries of the claimed design and form no part thereof.

**1 Claim, 12 Drawing Sheets**



(58) **Field of Classification Search**

CPC ..... H01R 24/00; H01R 12/00; H01R 12/70;  
H01R 13/62

See application file for complete search history.

8,475,218 B2\* 7/2013 Zheng ..... G02B 6/3817  
439/660  
D710,308 S 8/2014 Katayanagi  
D718,251 S 11/2014 Katayanagi  
D870,669 S \* 12/2019 Katagiyama ..... D13/133  
2002/0142636 A1\* 10/2002 Murr ..... H01R 13/6582  
439/108  
2017/0179634 A1\* 6/2017 Du ..... H01R 13/6581  
2018/0358755 A1\* 12/2018 Sakaizawa ..... H01R 13/6273

(56) **References Cited**

U.S. PATENT DOCUMENTS

D419,524 S \* 1/2000 Chiou ..... D13/147  
D446,772 S \* 8/2001 Chen ..... D13/147  
D446,773 S 8/2001 Yao et al.  
D447,466 S 9/2001 Chen et al.  
6,454,603 B2\* 9/2002 Casey ..... H01R 13/6272  
439/607.28  
D499,382 S 12/2004 Zhu et al.  
D523,813 S \* 6/2006 He ..... D13/147  
D540,746 S \* 4/2007 Watanabe ..... D13/147  
D569,345 S \* 5/2008 Ikegami ..... D13/147  
D654,439 S 2/2012 Sasaki

OTHER PUBLICATIONS

“Uxcell Jack Socket Connector”. Found online May 28, 2020 at URL. Reference dated Oct. 6, 2016. Retrieved from [https://www.amazon.com/Uxcell-a13081900ux0112-Female-Socket-Connector/dp/B00H51E7B0/ref=psdc\\_172544\\_t4\\_B07T82FB1M](https://www.amazon.com/Uxcell-a13081900ux0112-Female-Socket-Connector/dp/B00H51E7B0/ref=psdc_172544_t4_B07T82FB1M). (Year: 2016).\*  
“CUI Devices”. Found online May 19, 2020 at [futureelectronics.com](http://futureelectronics.com). Reference dated 2015. Retrieved from <https://www.futureelectronics.com/p/interconnect--connectors-data-telecom--usb-connectors/uj31-ch-g2-smt-tr-cui-devices-6094634>. (Year : 2015).\*

\* cited by examiner

FIG. 1

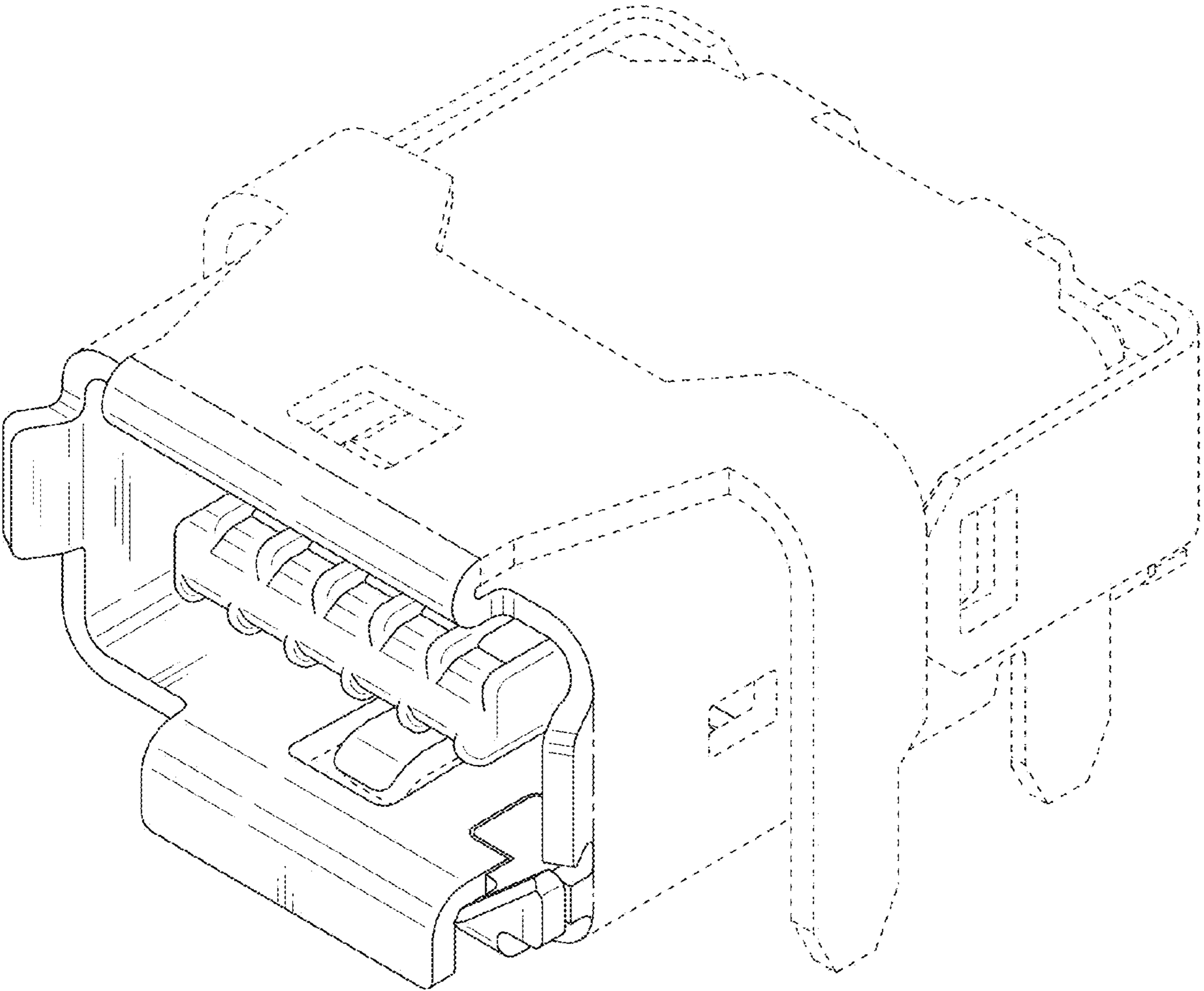


FIG. 2

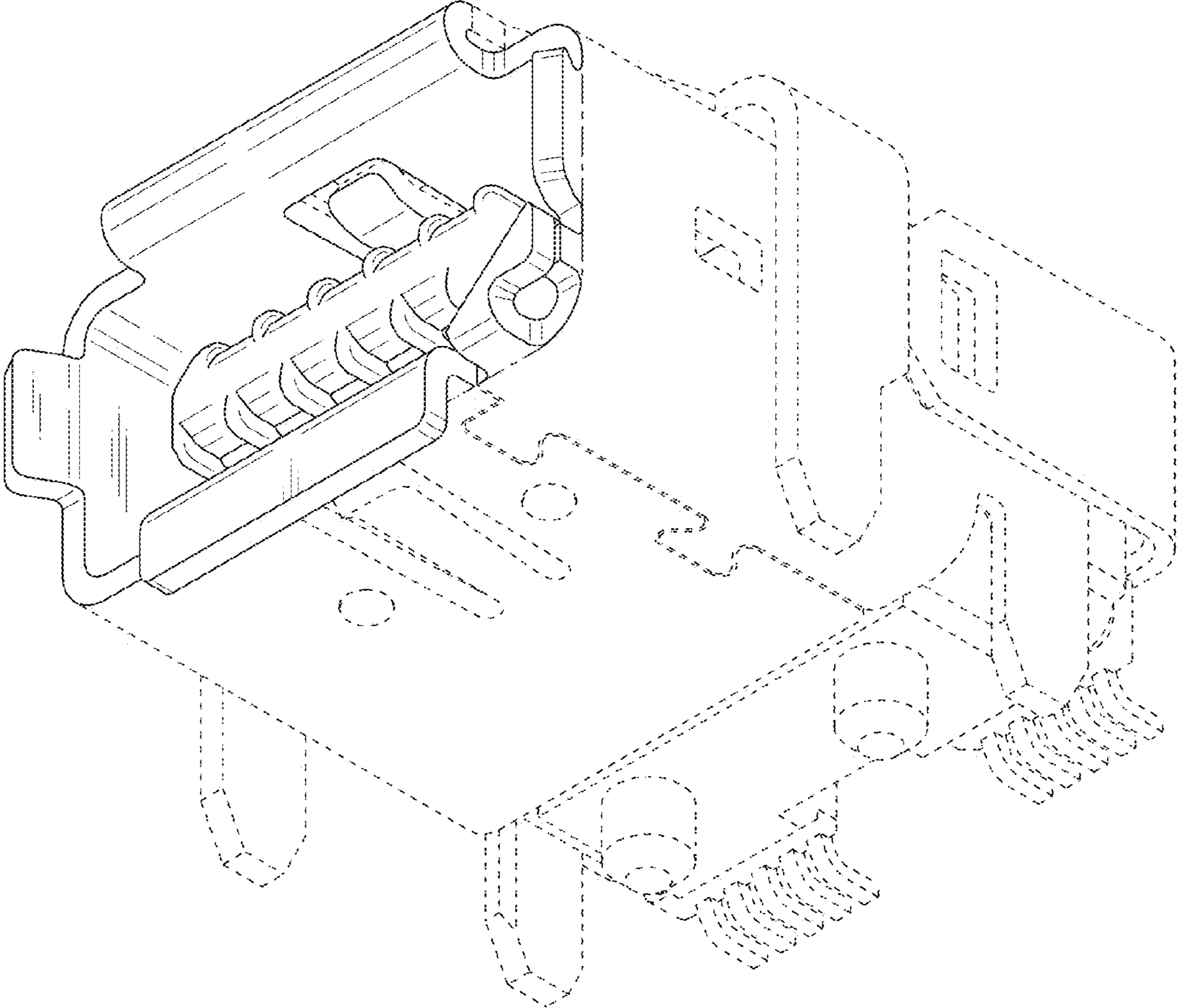




FIG. 3

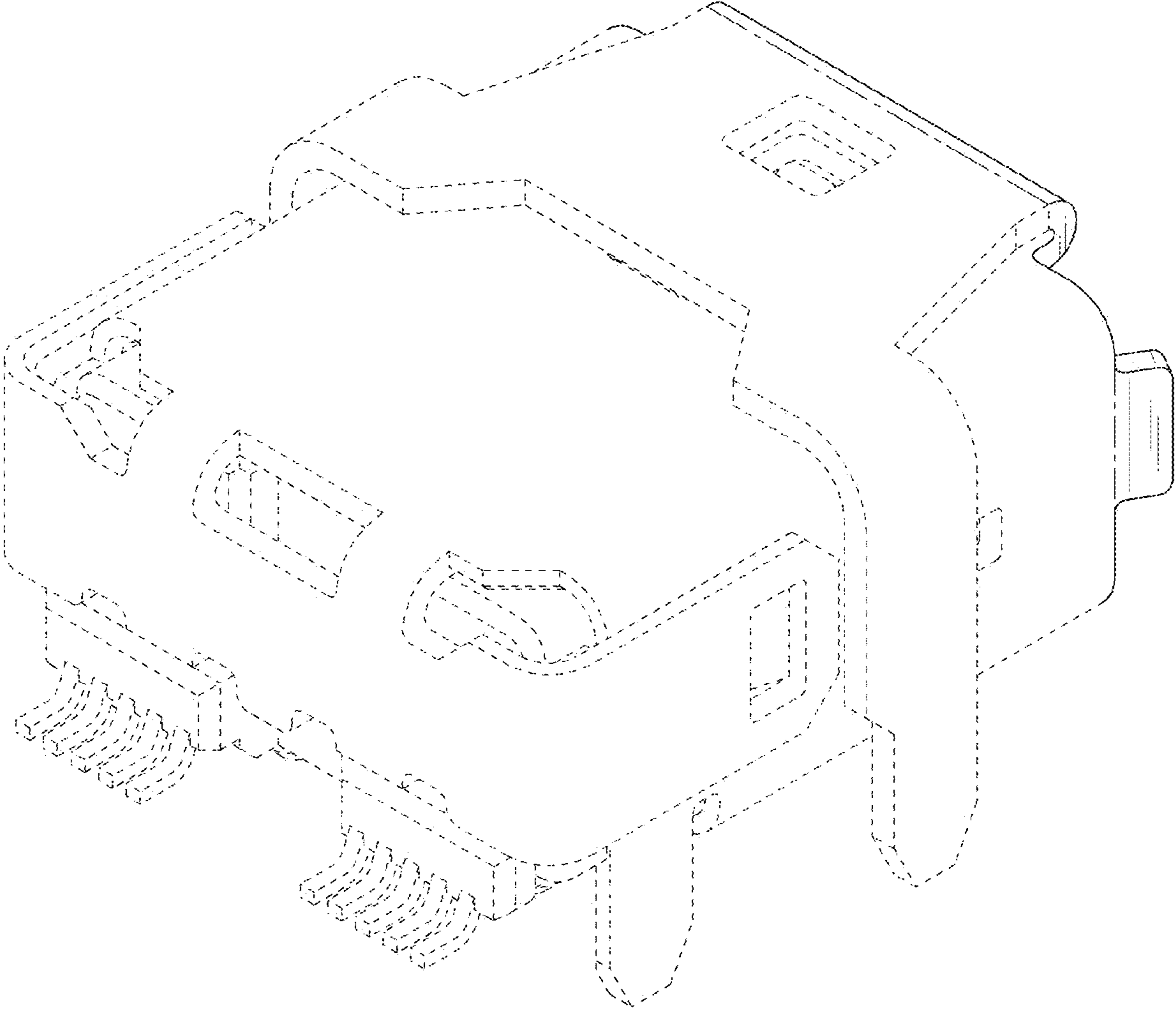


FIG. 4

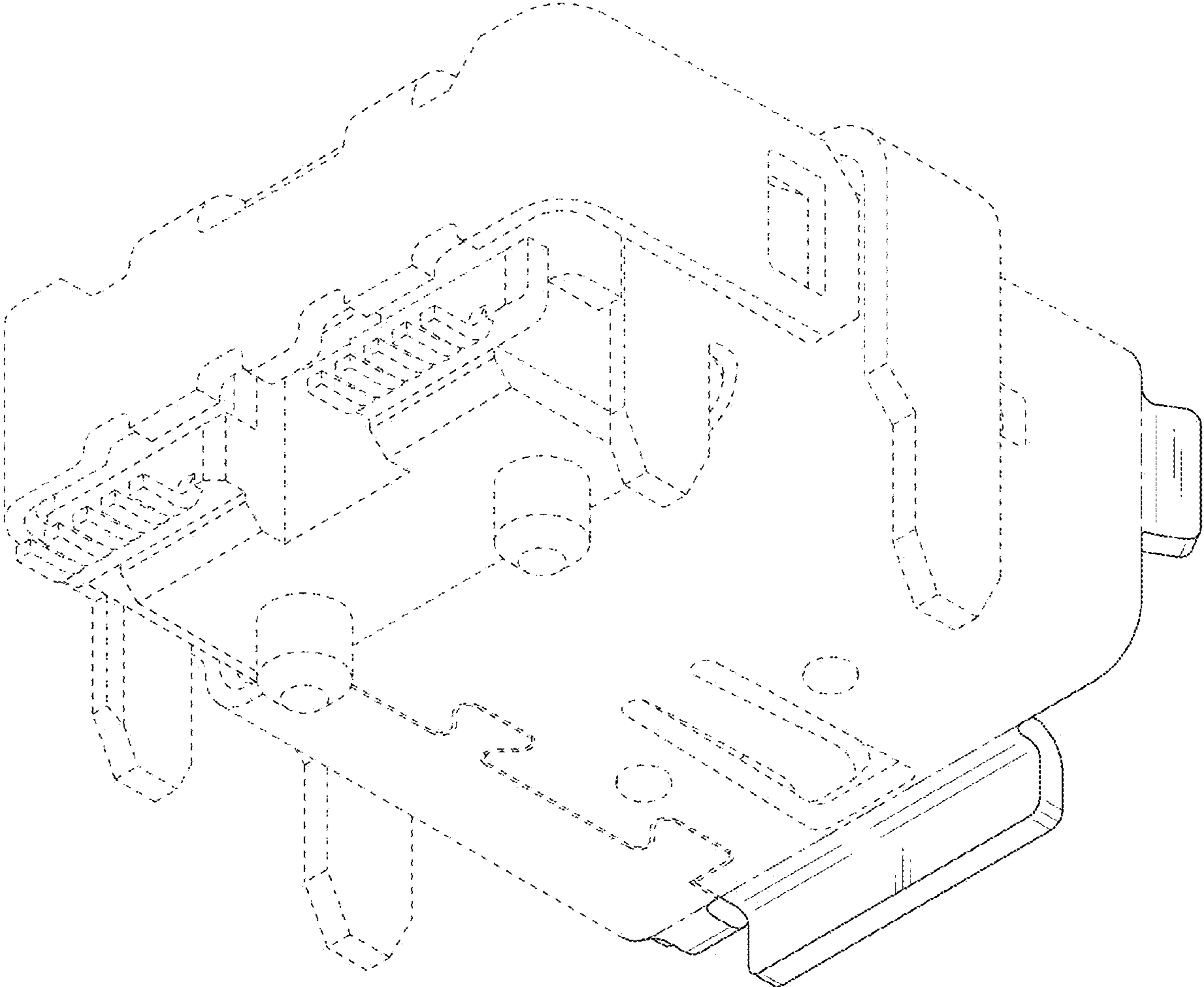


FIG. 5

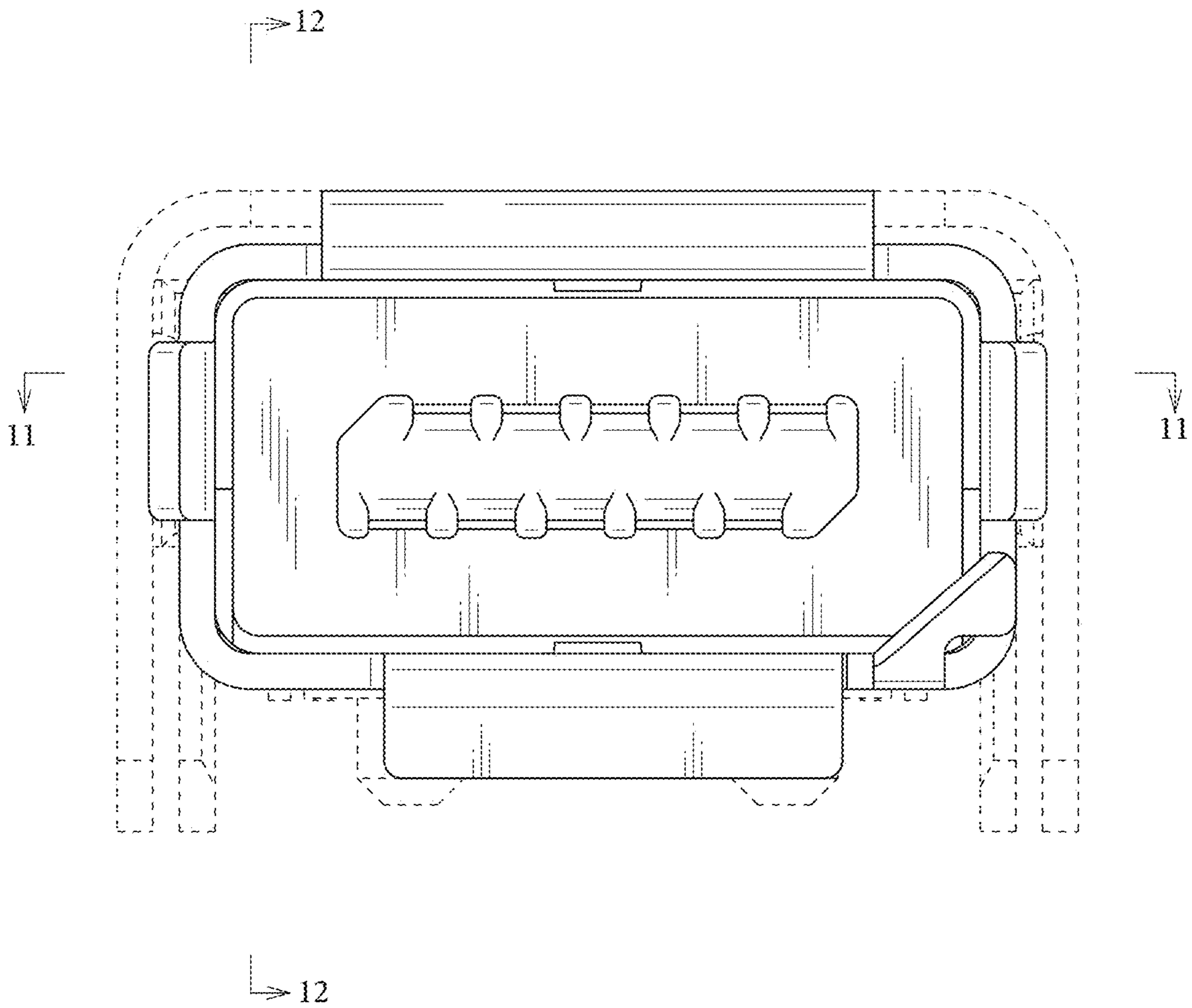


FIG. 6

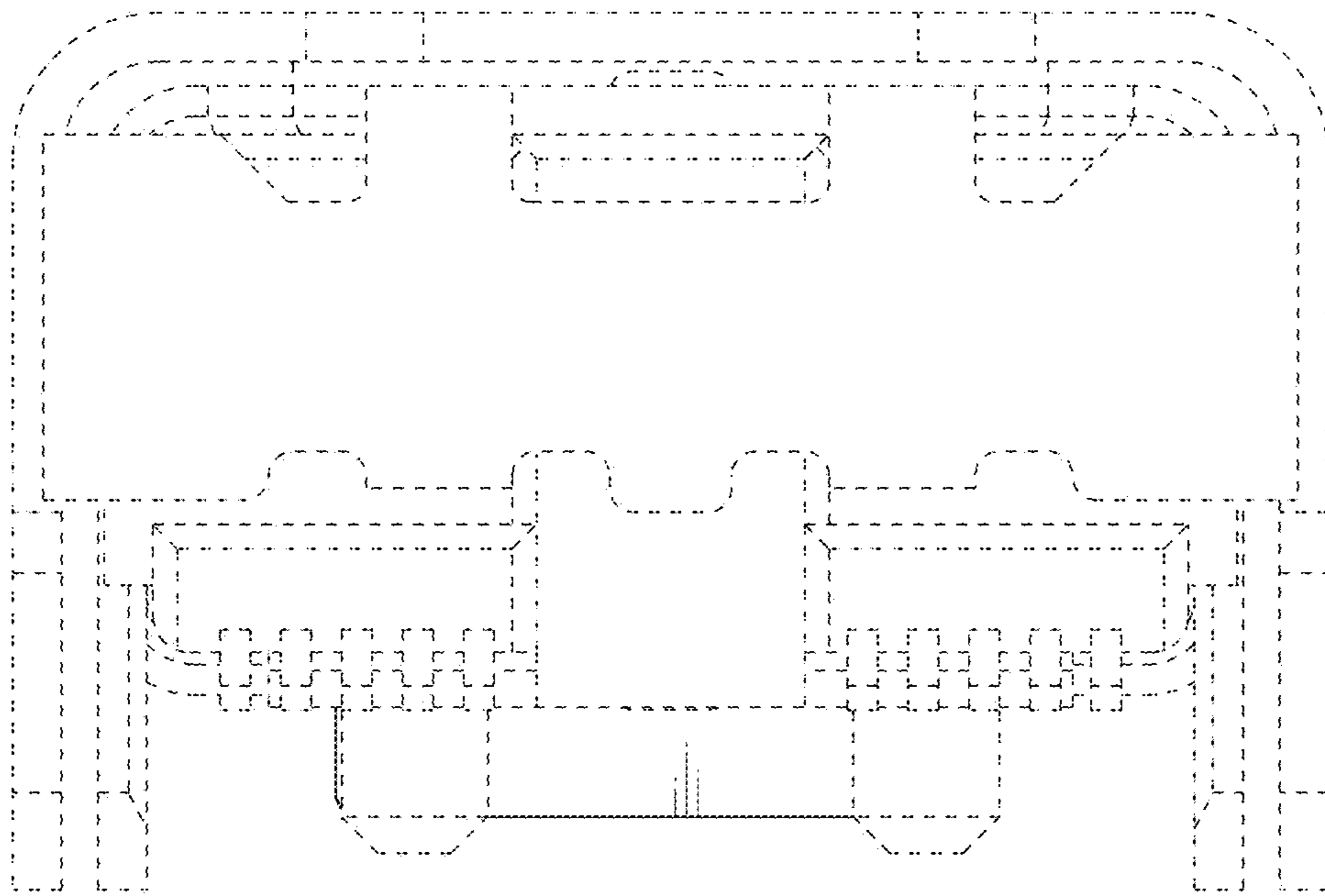




FIG. 7

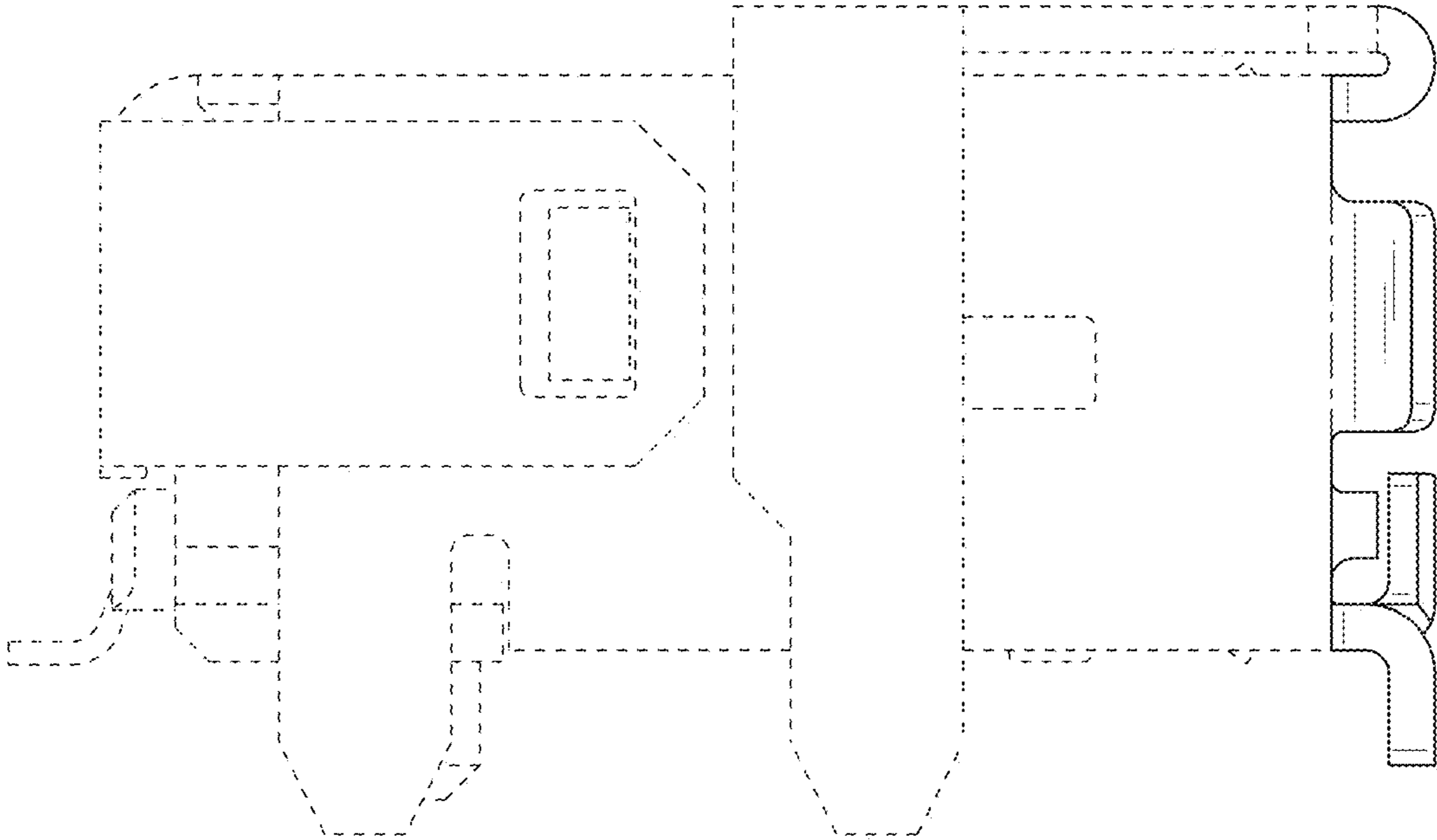


FIG. 8

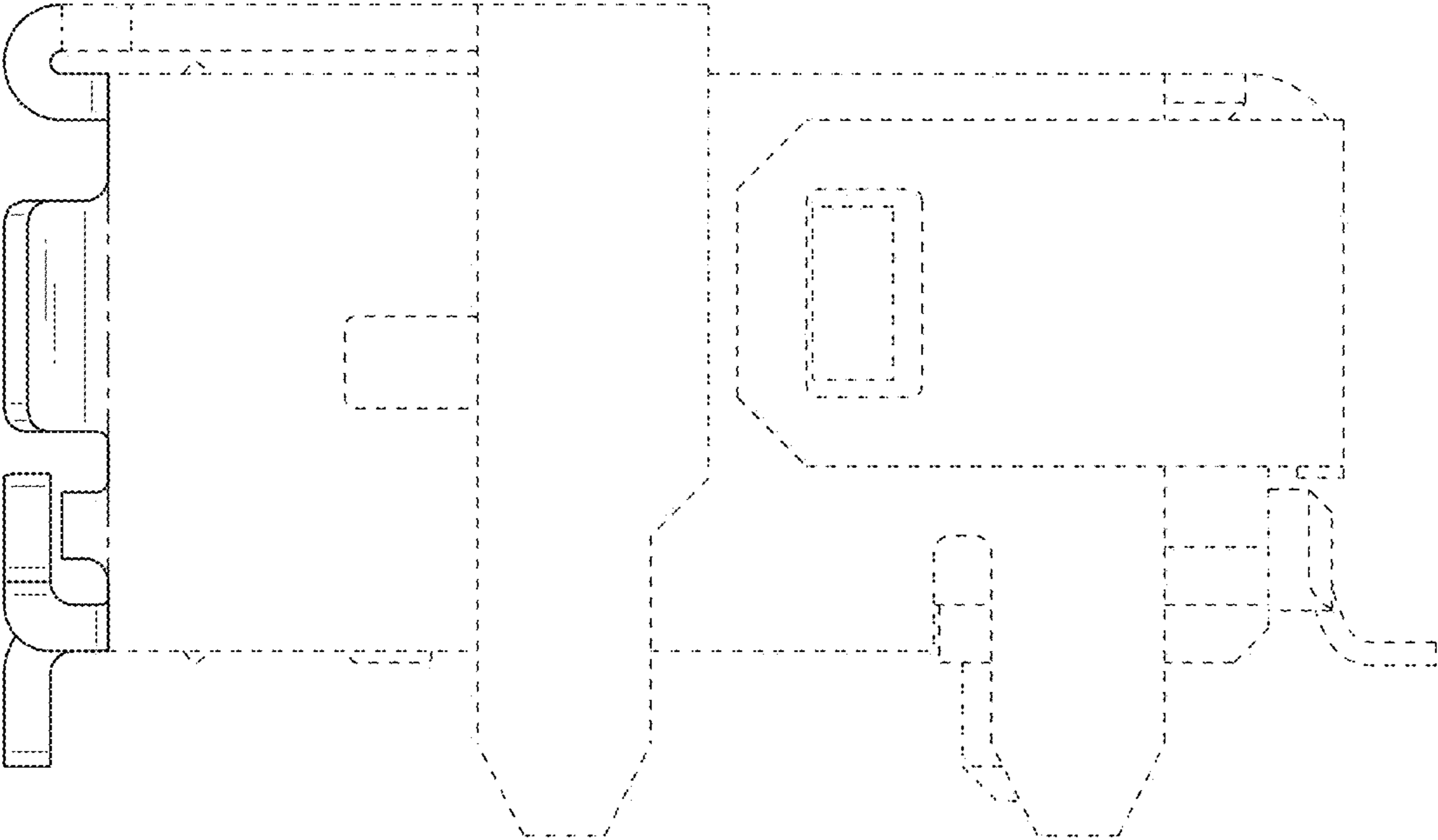


FIG. 9

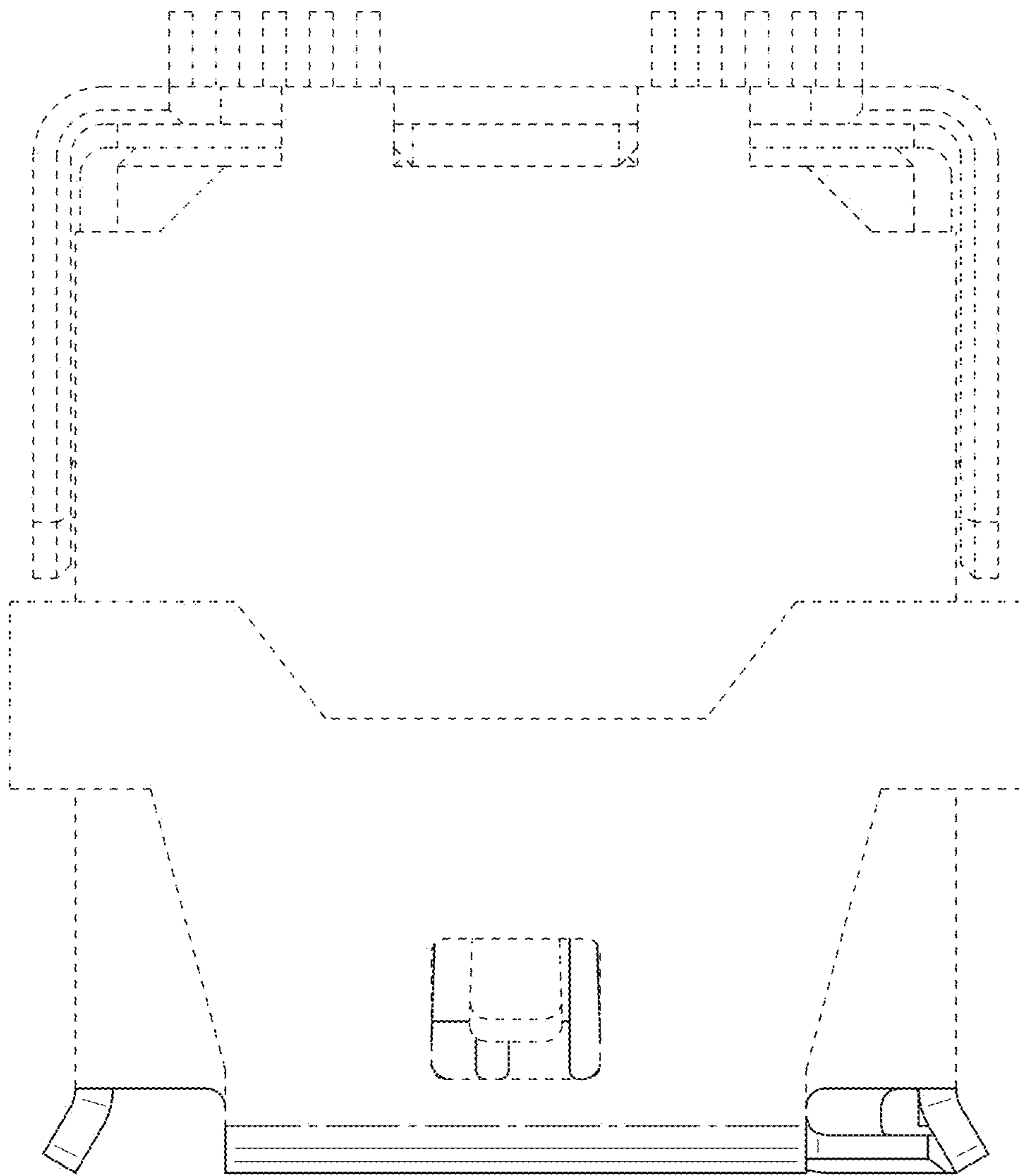


FIG. 10

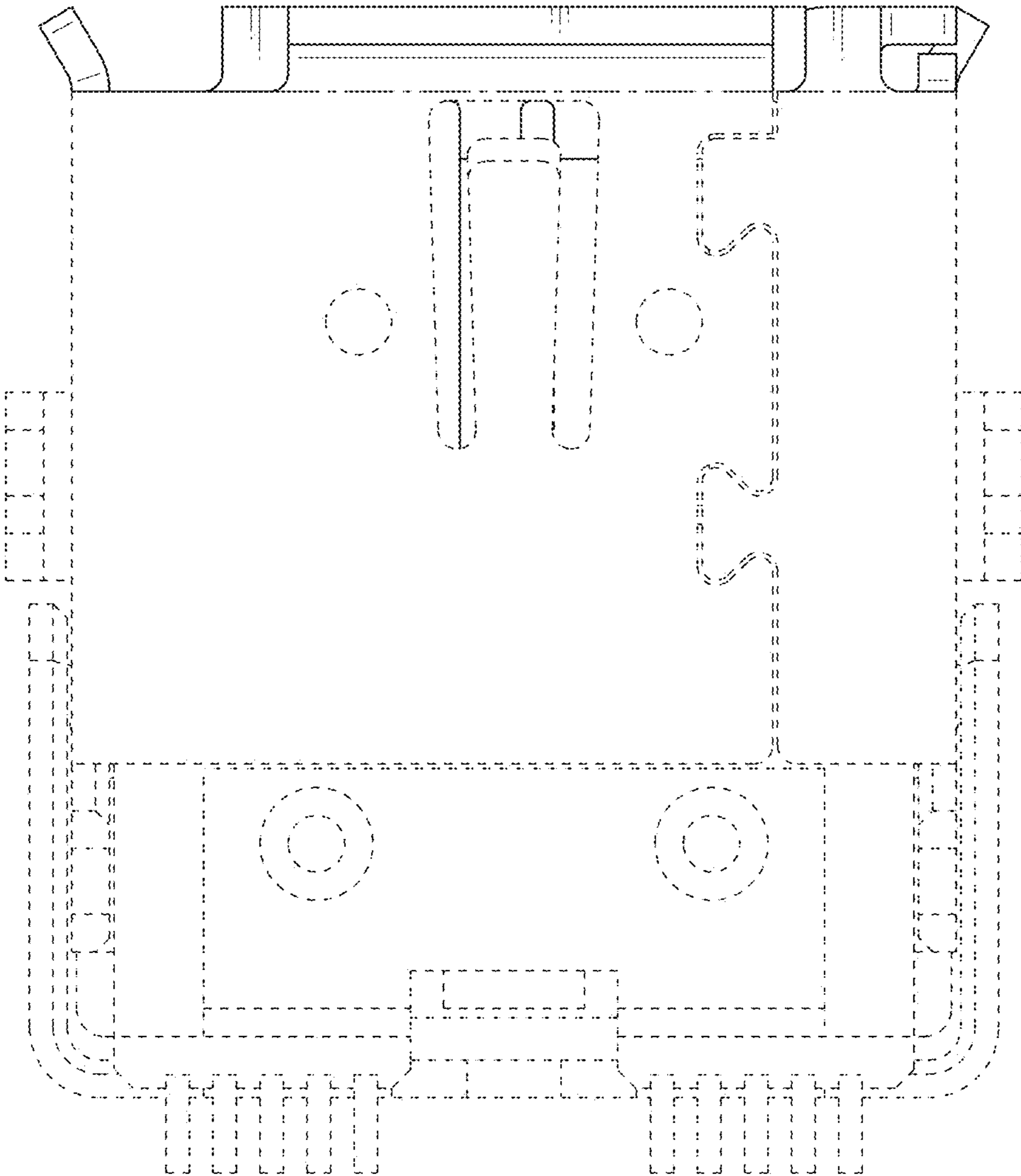


FIG. 11

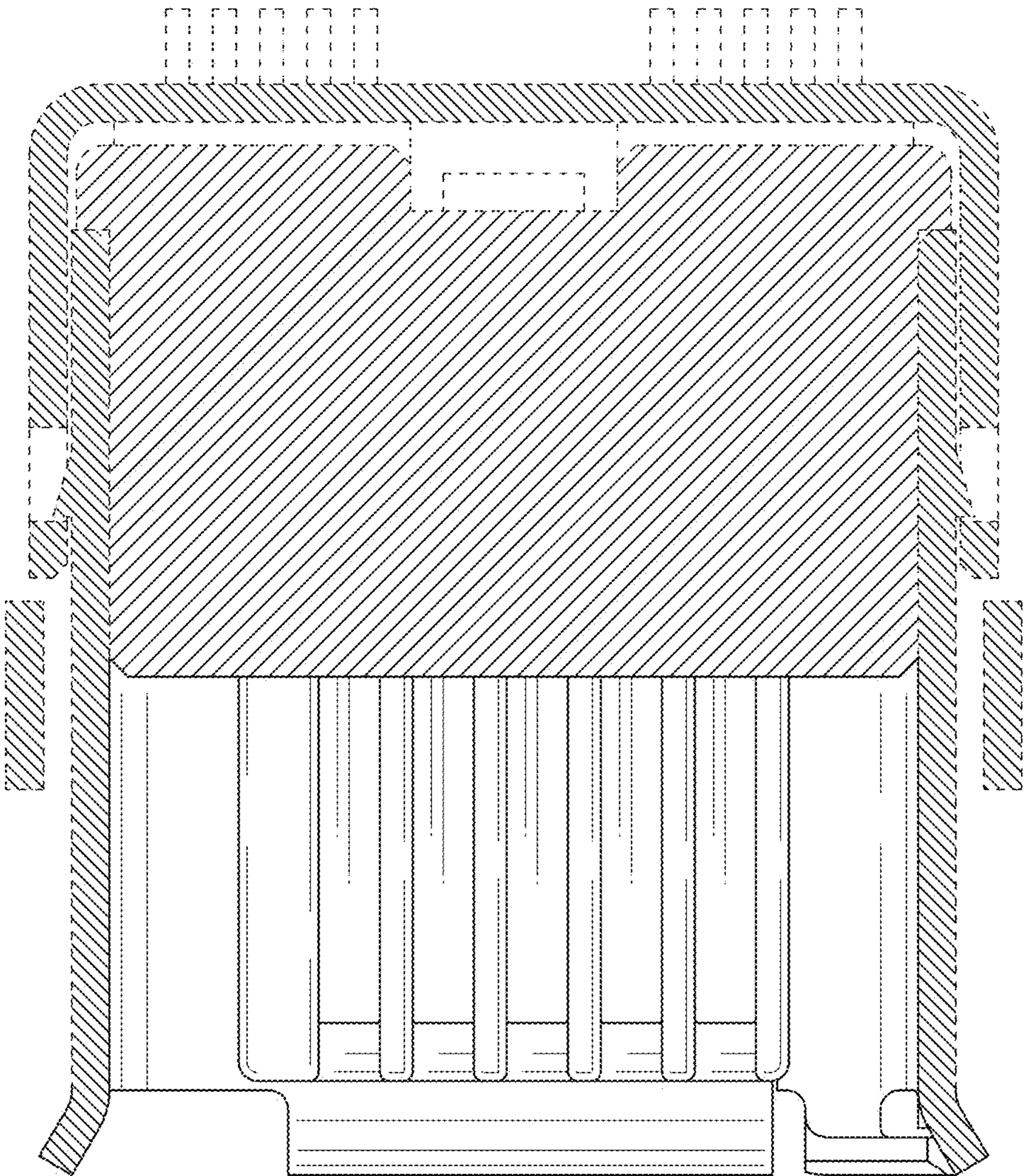




FIG. 12

