



US00D906251S

(12) **United States Design Patent** (10) **Patent No.:** **US D906,251 S**  
**Su et al.** (45) **Date of Patent:** **\*\* Dec. 29, 2020**

(54) **PDU POWER OUTLET**

(71) Applicant: **BITMAIN TECHNOLOGIES INC.,**  
Beijing (CN)

(72) Inventors: **Jiahai Su**, Beijing (CN); **Zhenhui Li**,  
Beijing (CN); **Changjiang Ge**, Beijing  
(CN); **Yong Luo**, Beijing (CN)

(73) Assignee: **BITMAIN TECHNOLOGIES INC.,**  
Beijing (CN)

(\*\*) Term: **15 Years**

(21) Appl. No.: **29/667,172**

(22) Filed: **Oct. 18, 2018**

(51) **LOC (12) Cl.** ..... **13-03**

(52) **U.S. Cl.**  
USPC ..... **D13/147; D13/133**

(58) **Field of Classification Search**  
USPC ..... D13/103, 107, 108, 110, 112, 118, 120,  
D13/123, 133, 137.1, 145–147, 149–156,  
D13/158, 173, 177, 184, 199, 242;  
D14/240, 242, 432–435, 435.1, 436–438  
CPC .... H01R 12/716; H01R 12/57; H01R 12/585;  
H01R 13/52; H01R 13/506; H01R  
13/6585; H01R 13/648; H01R 13/212;  
H01R 13/2464; H01R 13/2492; H01R  
13/26; H01R 13/28; H01R 13/434; H01R  
13/4362; H01R 13/4534; H01R 13/508;  
H01R 13/5804; H01R 13/5816; H01R  
13/6271; H01R 13/635; H01R 13/6599;  
H01R 13/6598; H01R 13/6594; G06F  
1/26; G06F 1/266; H04B 10/80  
See application file for complete search history.

(56) **References Cited**

**U.S. PATENT DOCUMENTS**

7,934,943 B2 \* 5/2011 Malstrom ..... H01R 12/592  
439/447  
D789,935 S \* 6/2017 Zheng ..... D14/433

D818,439 S \* 5/2018 Kim ..... D13/153  
D845,899 S \* 4/2019 Barrefelt ..... D13/133  
D847,752 S \* 5/2019 Barrefelt ..... D13/133

(Continued)

**OTHER PUBLICATIONS**

Ali Express. New 60A 10000W High-power Mining Dedicated  
Socket PDU Power Rail 80A 18000W Power Supply Plug for  
Bitcoin Miner Antminer Mining. No date specified. [https://www.  
aliexpress.com/i/32867075142.html](https://www.aliexpress.com/i/32867075142.html) (Year: 0).\*

*Primary Examiner* — Darcey E Gottschalk

(74) *Attorney, Agent, or Firm* — J.C. Patents

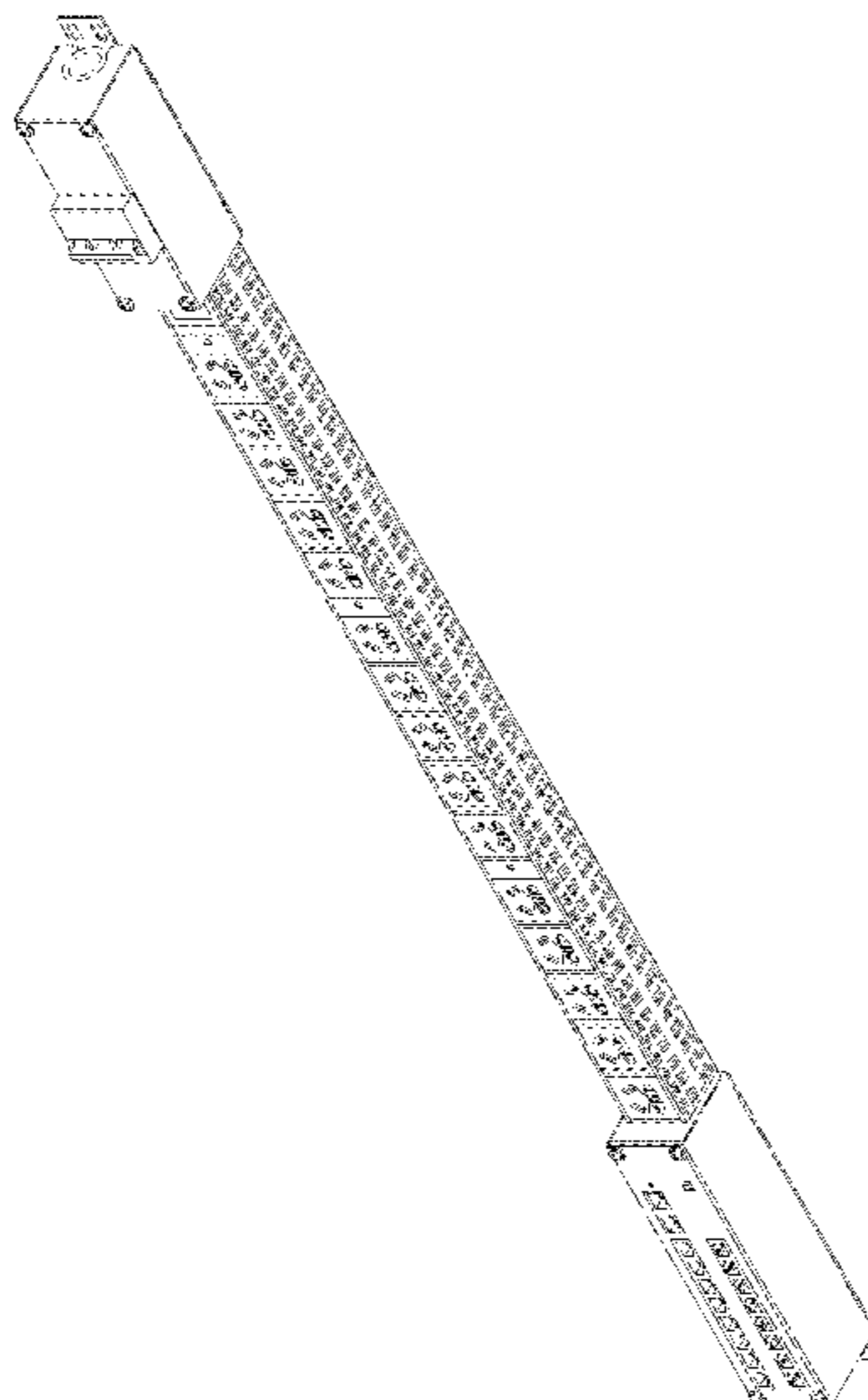
(57) **CLAIM**

The ornamental design for a PDU power outlet, as shown  
and described.

**DESCRIPTION**

FIG. 1 is a front view of a new PDU power outlet;  
FIG. 2 is a detail view of the encircled portion 2 on FIG. 1;  
FIG. 3 is a detail view of the encircled portion 3 on FIG. 1;  
FIG. 4 is a rear view of the new PDU power outlet;  
FIG. 5 is a left view of the new PDU power outlet;  
FIG. 6 is a right view of the new PDU power outlet;  
FIG. 7 is a top view of the new PDU power outlet;  
FIG. 8 is a bottom view of the new PDU power outlet; and,  
FIG. 9 is a perspective view of the new PDU power outlet.  
The evenly spaced broken lines depict environmental sub-  
ject matter and form no part of the claimed design. The  
line-dot-line broken lines that encircle portions of FIG. 1  
and that surround the detail views on FIGS. 2 and 3  
respectively form no part of the claimed design.  
The line-dot-line broken lines of FIGS. 5, 6, and 9  
depict boundaries of the claim and form no part of the  
claimed design.

**1 Claim, 9 Drawing Sheets**



(56)

**References Cited**

U.S. PATENT DOCUMENTS

D859,310 S \* 9/2019 Djeu ..... D13/133  
D872,017 S \* 1/2020 Huang ..... D13/110  
2008/0311787 A1\* 12/2008 Wu ..... H01R 13/41  
439/572  
2009/0233484 A1\* 9/2009 Wu ..... H01R 13/6582  
439/607.05  
2010/0291794 A1\* 11/2010 Luo ..... H01R 31/005  
439/502  
2011/0028038 A1\* 2/2011 Luo ..... H01R 12/62  
439/607.58  
2019/0319405 A1\* 10/2019 Zhang ..... H01R 13/64  
2019/0393661 A1\* 12/2019 Donia ..... F16M 11/2014

\* cited by examiner

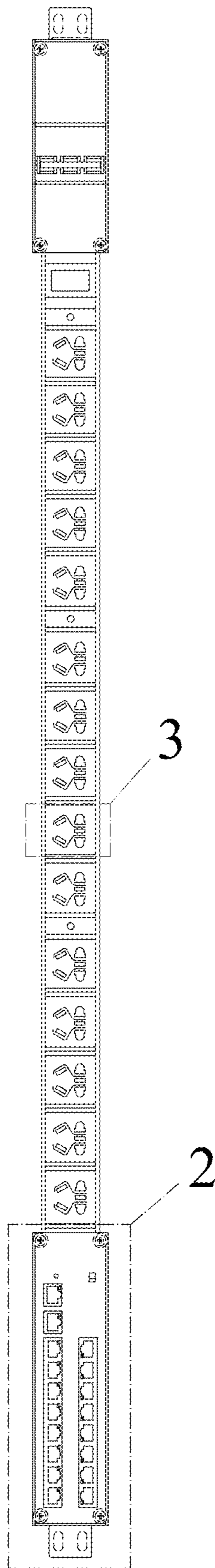


FIG. 1

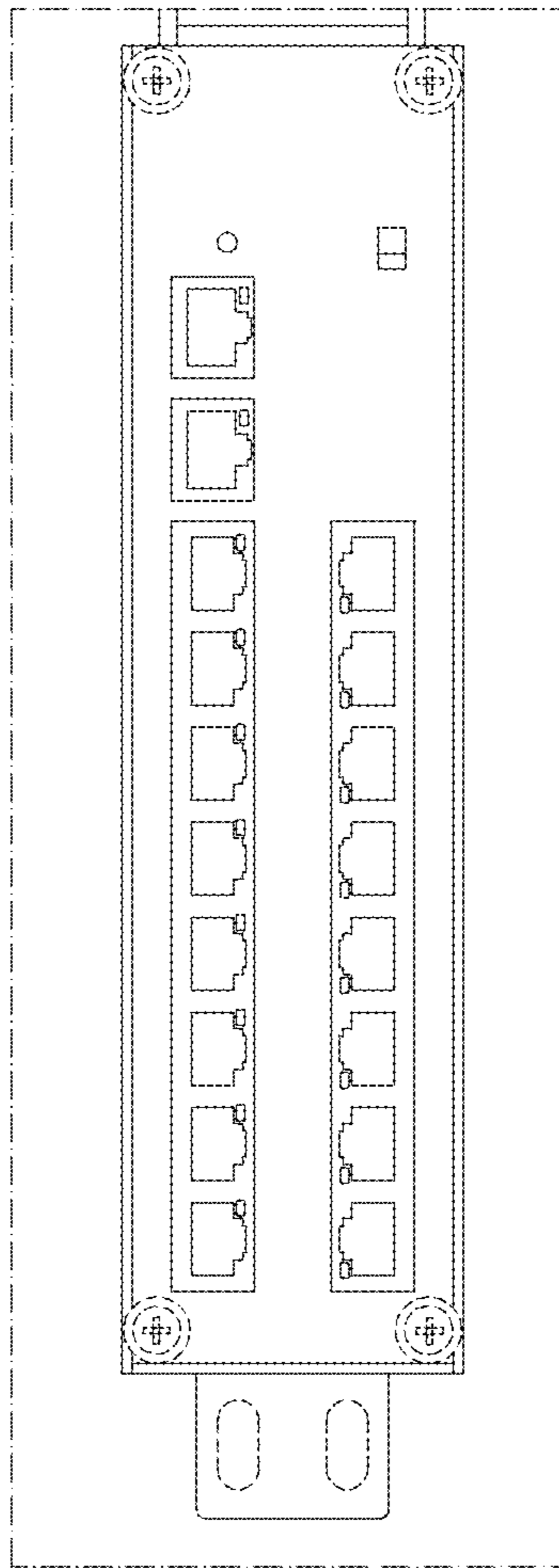


FIG.2

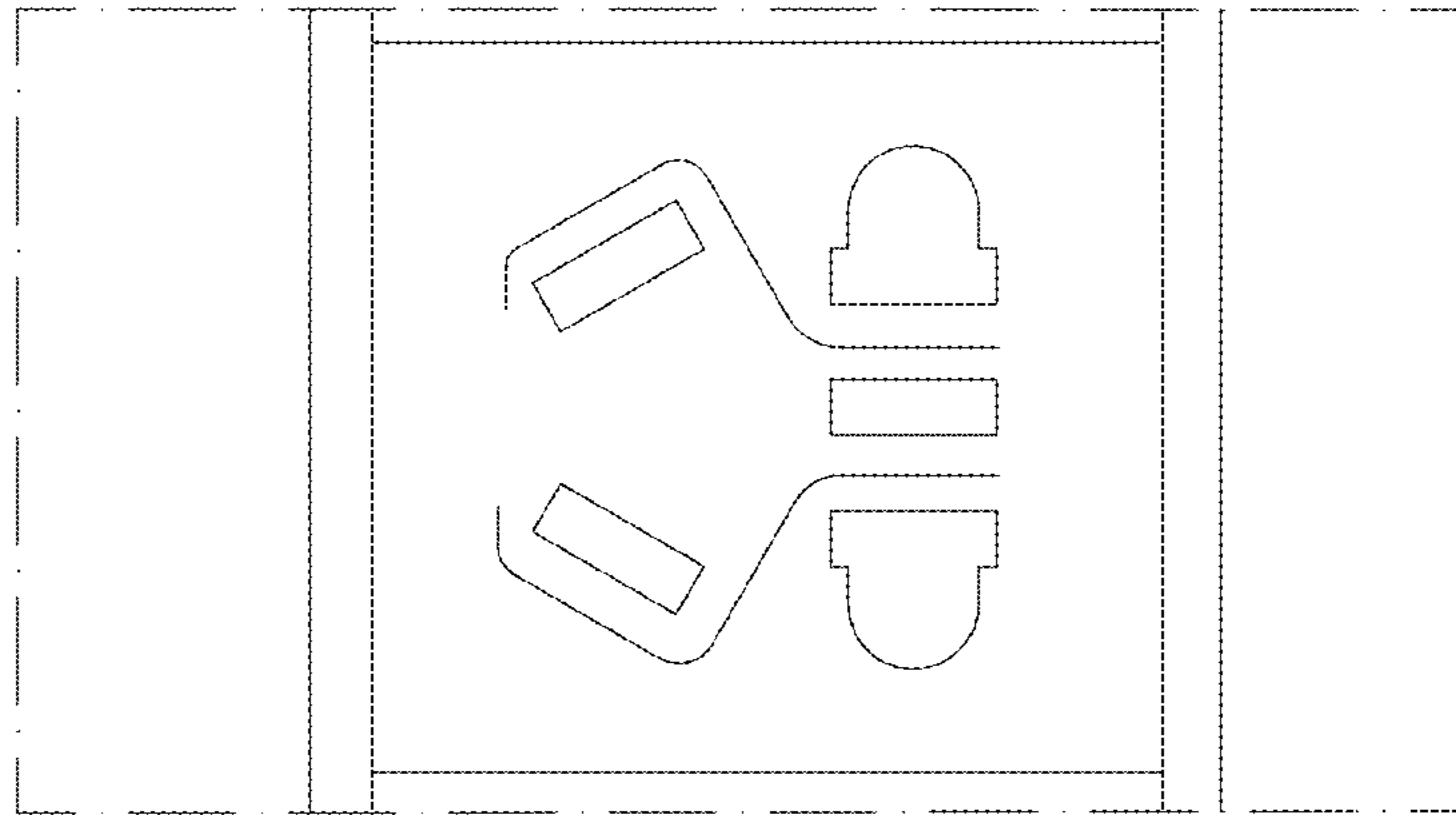


FIG.3

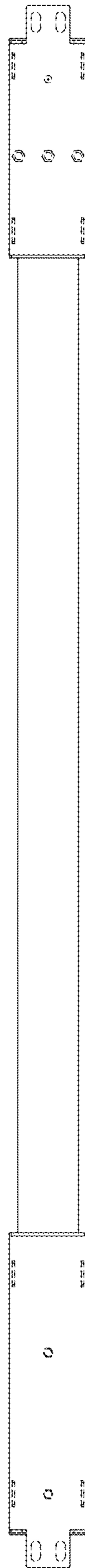


FIG. 4

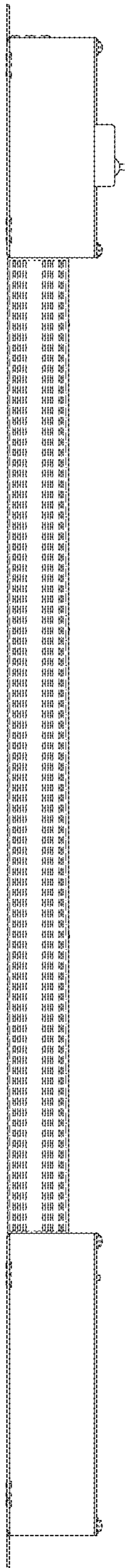


FIG.5

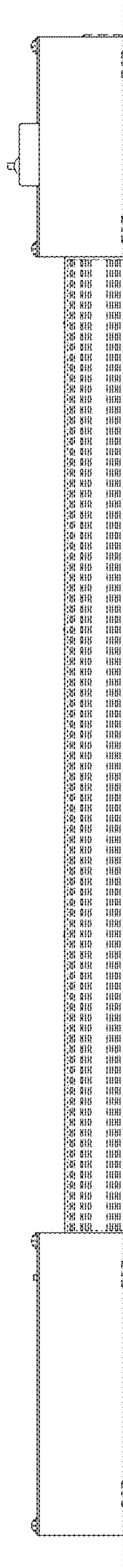


FIG. 6



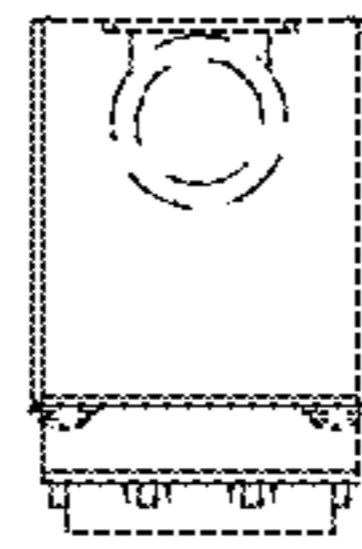


FIG. 7

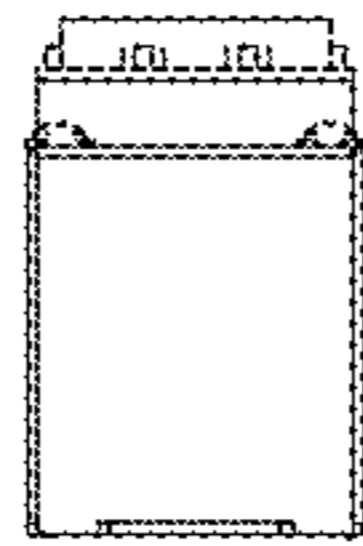


FIG. 8

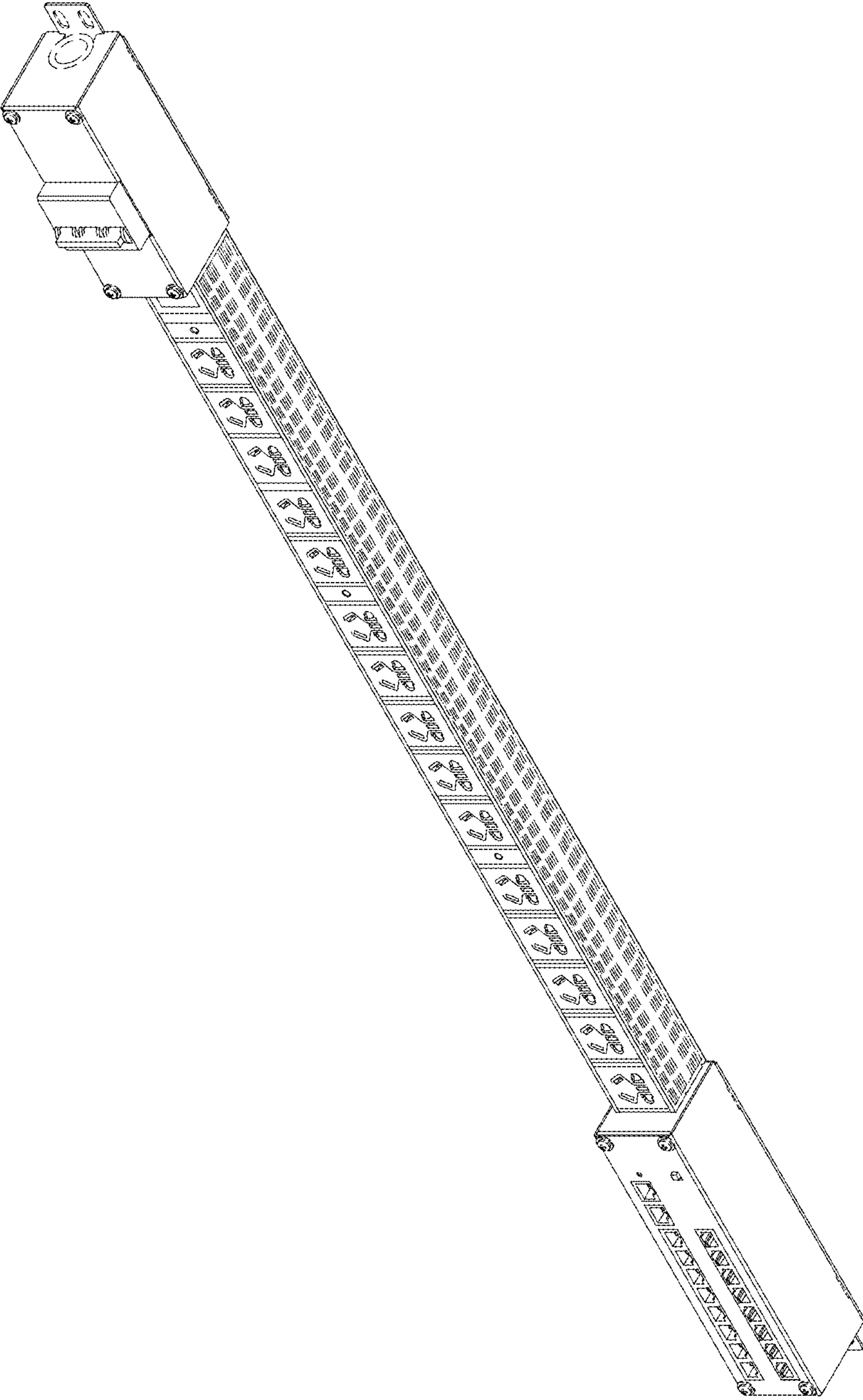


FIG. 9