



US00D906250S

(12) **United States Design Patent** (10) **Patent No.:** **US D906,250 S**  
**Hu** (45) **Date of Patent:** **\*\* Dec. 29, 2020**

(54) **CONNECTOR**

(71) Applicant: **SZ DJI Technology Co., Ltd.**,  
Shenzhen (CN)

(72) Inventor: **Dengfeng Hu**, Shenzhen (CN)

(73) Assignee: **SZ DJI Technology Co., Ltd.**,  
Shenzhen (CN)

(\*\*) Term: **15 Years**

(21) Appl. No.: **29/736,961**

(22) Filed: **Jun. 4, 2020**

**Related U.S. Application Data**

(63) Continuation of application No. 29/574,358, filed on Aug. 15, 2016, which is a continuation of application No. 29/546,070, filed on Nov. 18, 2015, now abandoned.

(51) **LOC (12) Cl.** ..... **13-03**

(52) **U.S. Cl.**  
USPC ..... **D13/146**

(58) **Field of Classification Search**  
USPC ..... D13/103, 112, 118-120, 122, 123, 133,  
D13/134, 146-147, 149, 154-156, 173,  
D13/184, 199  
CPC ..... H01R 13/518; H01R 13/52; H01R 13/64;  
H01R 13/6587; H01R 13/65; H01R  
13/65802; H01R 23/688; H01R 23/6873;  
H01R 24/00; H01R 24/60; H01R 24/62;  
H01R 24/78  
See application file for complete search history.

(56) **References Cited**

**U.S. PATENT DOCUMENTS**

D203,442 S 1/1966 Chieda  
4,170,399 A 10/1979 Hansen et al.  
D291,559 S 8/1987 Narveson et al.  
D297,530 S 9/1988 Cooper

D317,149 S 5/1991 Phelps et al.  
5,044,975 A 9/1991 DiBene, II et al.  
5,167,523 A 12/1992 Crimmins et al.  
D340,241 S \* 10/1993 Nakamura ..... D13/146  
5,716,228 A 2/1998 Chen  
5,772,463 A 6/1998 Kleppe et al.  
D404,361 S \* 1/1999 Kellstedt ..... D13/147  
(Continued)

**FOREIGN PATENT DOCUMENTS**

EM 002867531-0001 2/2016  
JP 937338 S 7/1995

**OTHER PUBLICATIONS**

“Rockler ¼" Glass Shelf Supports,” Amazon.com, <https://www.amazon.com/Glass-Shelf-Supports-16-pack/dp/B001DSY0KO>, Jun. 22, 2008.

(Continued)

*Primary Examiner* — Angela J Lee  
*Assistant Examiner* — Shawn T Gingrich  
(74) *Attorney, Agent, or Firm* — Sterne, Kessler,  
Goldstein & Fox P.L.L.C.

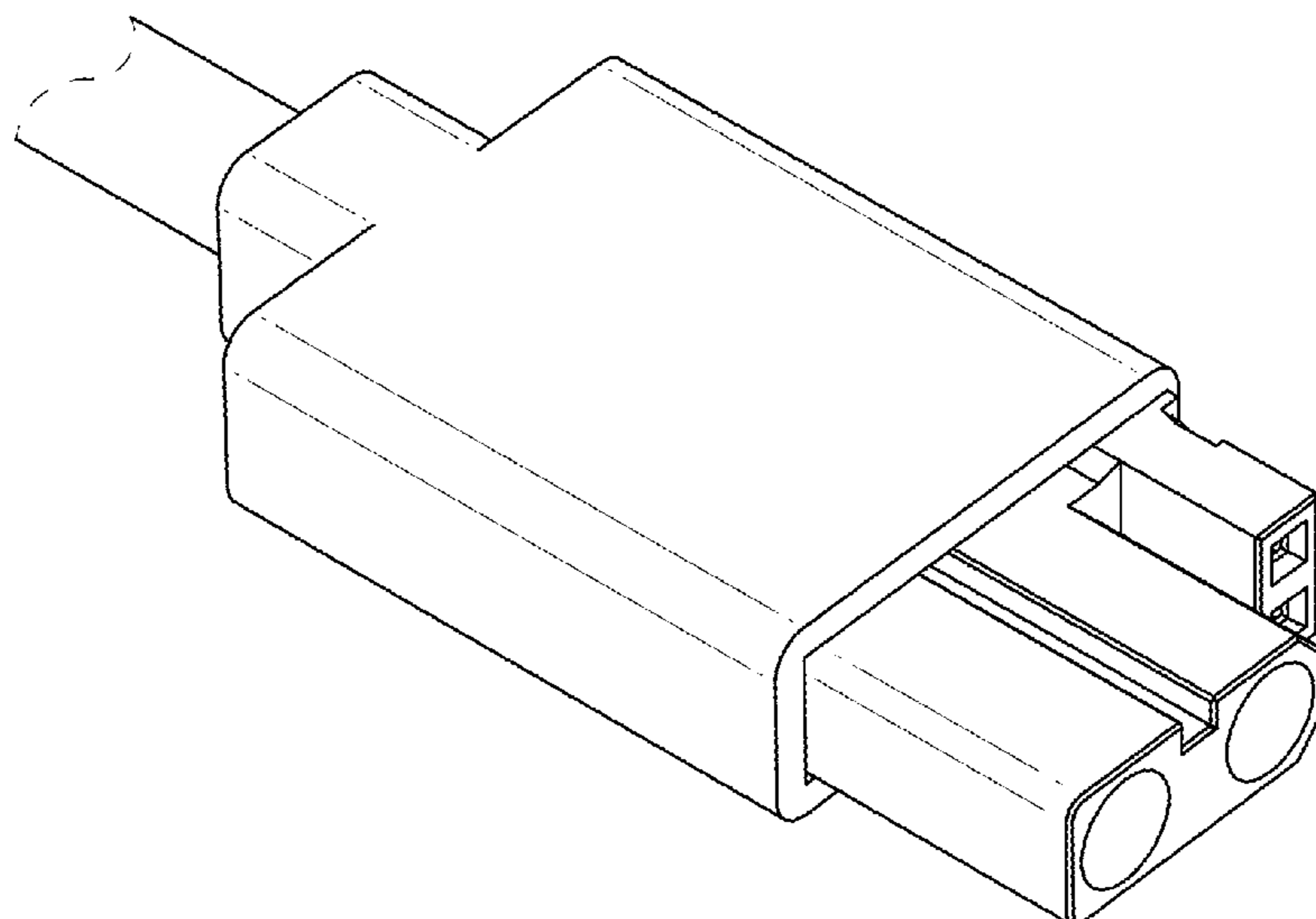
(57) **CLAIM**

The ornamental design for a connector, as shown and described.

**DESCRIPTION**

FIG. 1 is a top front perspective view of a connector showing the claimed design;  
FIG. 2 is a front view thereof;  
FIG. 3 is a rear view thereof;  
FIG. 4 is a left side view thereof;  
FIG. 5 is a right side view thereof;  
FIG. 6 is a top view thereof; and,  
FIG. 7 is a bottom view thereof.  
The broken lines in the figures show portions of the connector that form no part of the claimed design.

**1 Claim, 4 Drawing Sheets**



(56)

References Cited

U.S. PATENT DOCUMENTS

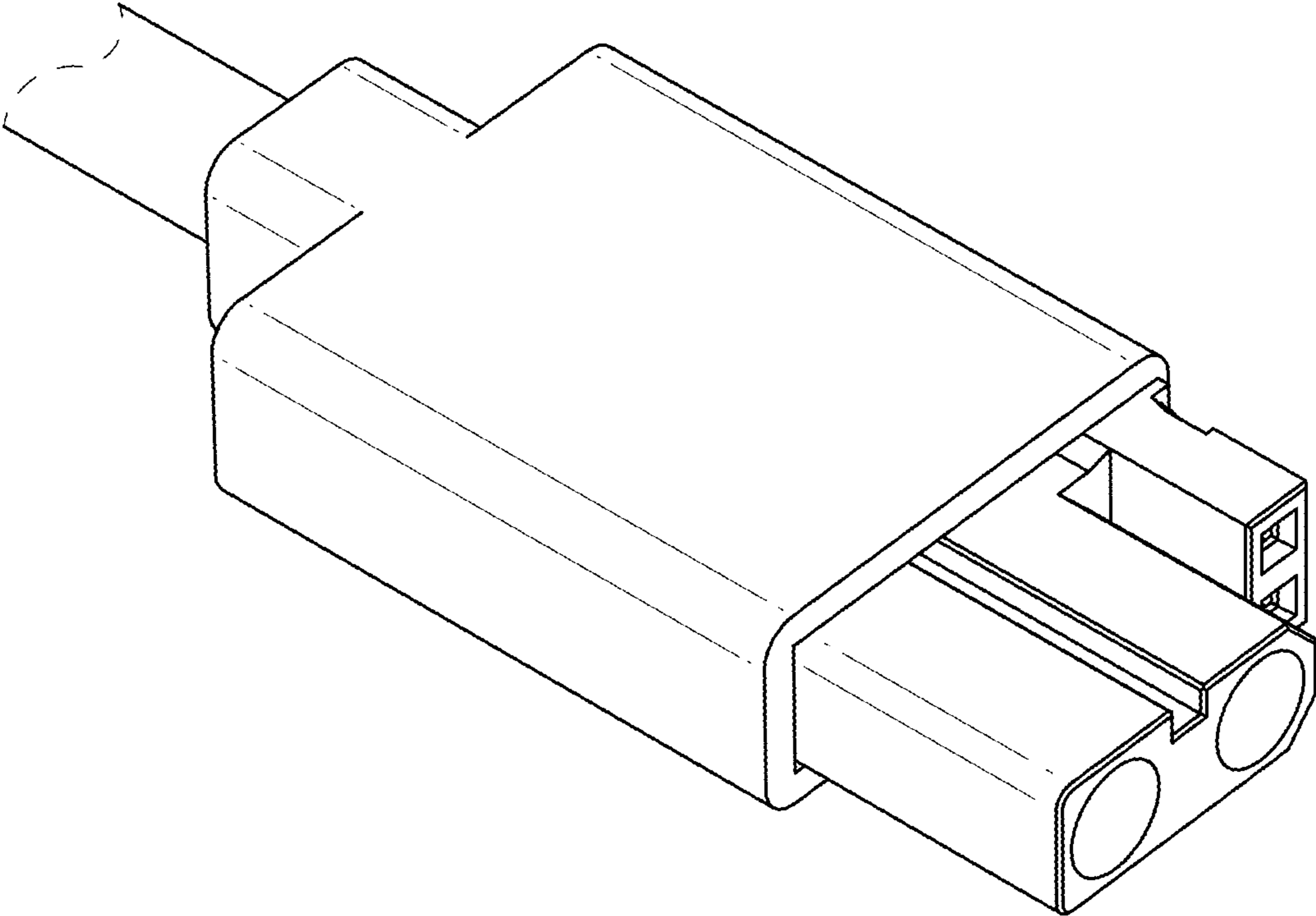
5,934,942 A 8/1999 Patel et al.  
 D414,743 S \* 10/1999 Katoh ..... D13/147  
 D416,864 S 11/1999 Huang  
 6,053,772 A 4/2000 Aizawa et al.  
 D461,287 S 8/2002 Hansen  
 D482,330 S \* 11/2003 Suzuki ..... D13/147  
 D503,153 S 3/2005 Suckle et al.  
 D514,068 S \* 1/2006 Scheller ..... D13/147  
 D550,547 S 9/2007 Sato  
 D553,087 S \* 10/2007 Ashida ..... D13/133  
 D555,594 S 11/2007 So  
 D600,643 S \* 9/2009 Ohshima ..... D13/133  
 D603,800 S 11/2009 Zhao et al.  
 D631,437 S 1/2011 Stacey  
 D638,363 S 5/2011 Ledbetter et al.  
 D670,549 S 11/2012 Yang  
 8,353,731 B1 1/2013 Huang et al.  
 D678,200 S 3/2013 Corona  
 8,784,123 B1 7/2014 Leiba et al.  
 D713,342 S 9/2014 Jacobs et al.  
 D733,658 S 7/2015 Yang et al.  
 D784,928 S \* 4/2017 Armacost ..... H01R 13/6275  
 D13/146  
 D787,445 S 5/2017 DeCosta

D791,075 S 7/2017 Kim et al.  
 2004/0110425 A1 \* 6/2004 Miyake ..... H01R 13/64  
 439/677  
 2004/0259395 A1 12/2004 Yang et al.  
 2012/0082419 A1 4/2012 Koreeda  
 2013/0237095 A1 \* 9/2013 Keswani ..... H01R 4/4836  
 439/626  
 2013/0273784 A1 \* 10/2013 Little ..... H01R 13/6275  
 439/660  
 2014/0335729 A1 11/2014 Little et al.  
 2015/0093920 A1 4/2015 Colantuono et al.  
 2015/0380858 A1 12/2015 Kao et al.  
 2016/0013595 A1 1/2016 Kao et al.  
 2016/0154185 A1 \* 6/2016 Mori ..... G02B 6/4295  
 385/56

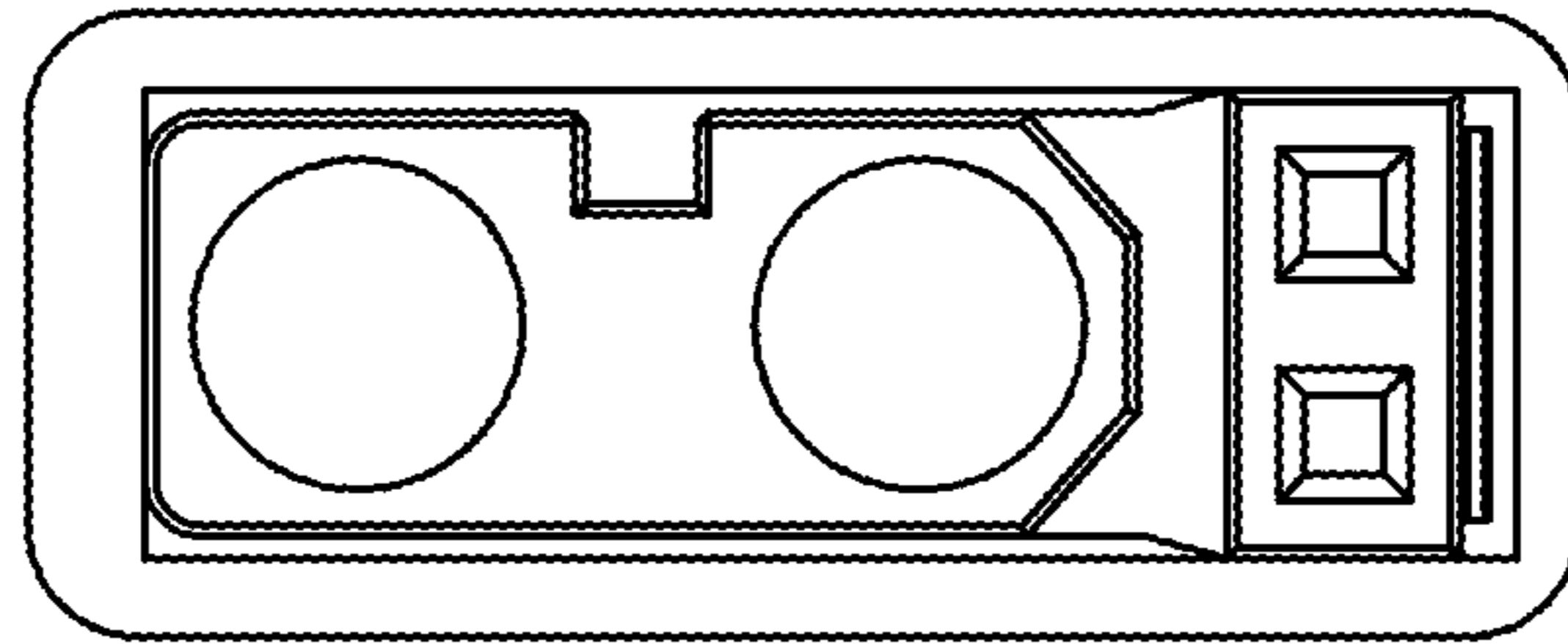
OTHER PUBLICATIONS

“ALOGIC Pro Series DVI Cable,” Seltec.com, [http://www.seltec.com.au/Product-Categories/DVI-Cables/ALOGIC-1 m-DVI-0-Duai-Link-Digitai-Video-Cable-Male-to-Male- Retaii-Polybag.html](http://www.seltec.com.au/Product-Categories/DVI-Cables/ALOGIC-1-m-DVI-0-Duai-Link-Digitai-Video-Cable-Male-to-Male-Retaii-Polybag.html), dated Mar. 27, 2015.  
 “HDMI and DVI Ports,” Upper Hutt SeniorNet Inc., <http://seniornetuh.blogspot.com/2012/07/hdmi-and-dvi-ports.html>, dated Jul. 27, 2012.

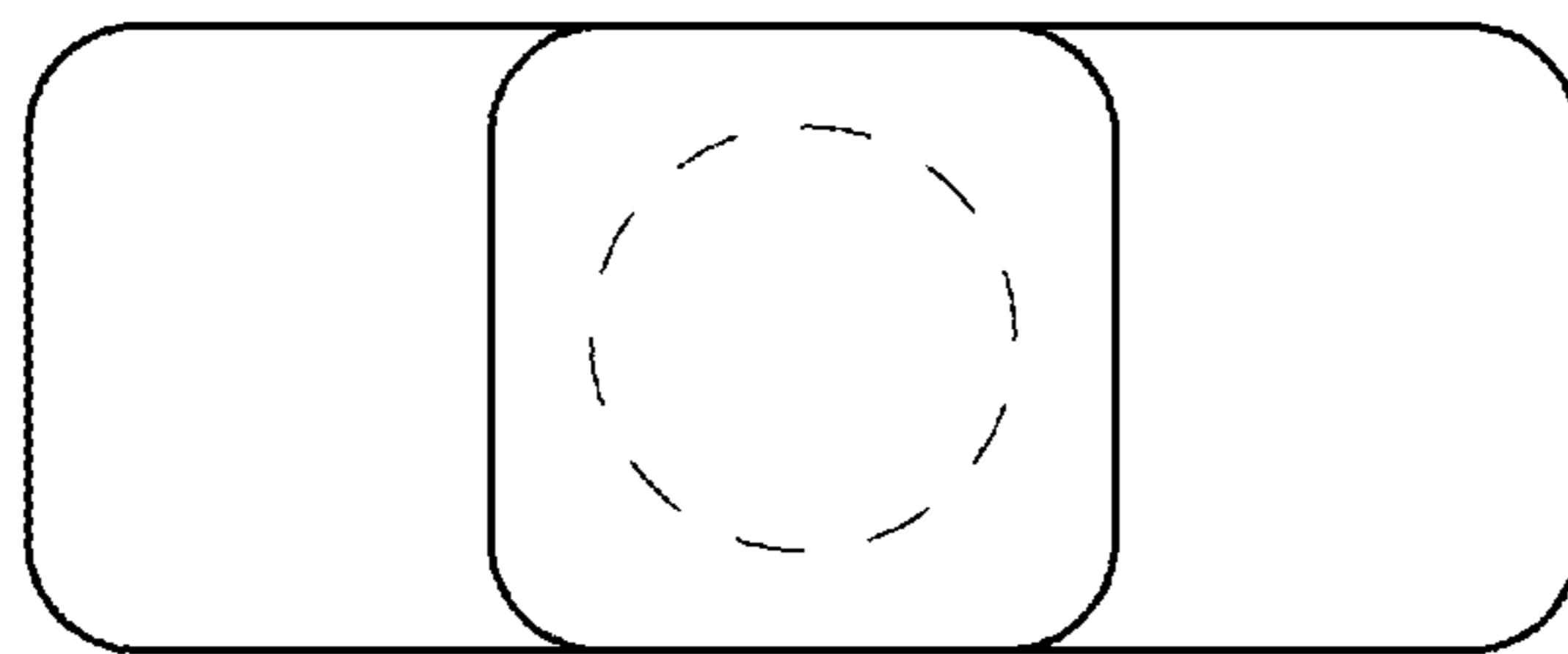
\* cited by examiner



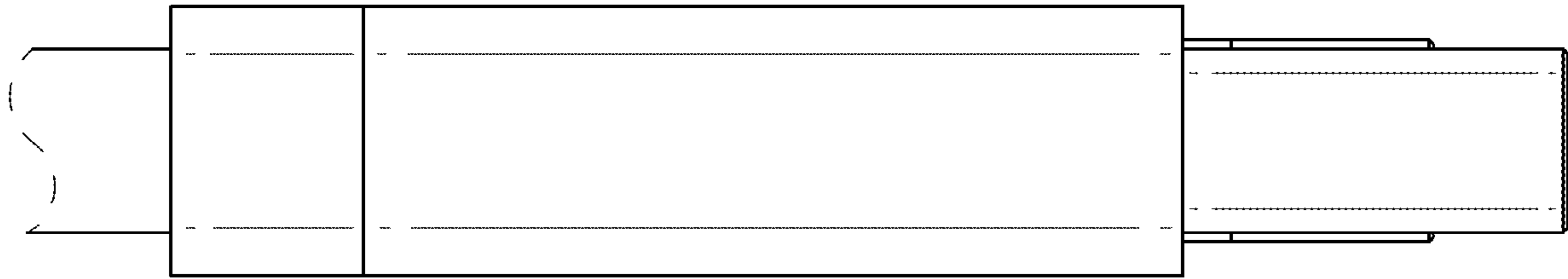
**FIG. 1**



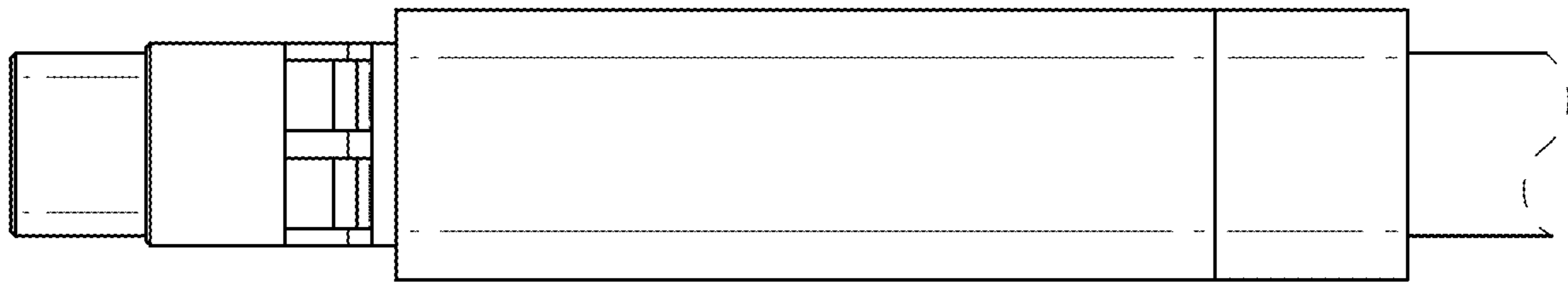
**FIG. 2**



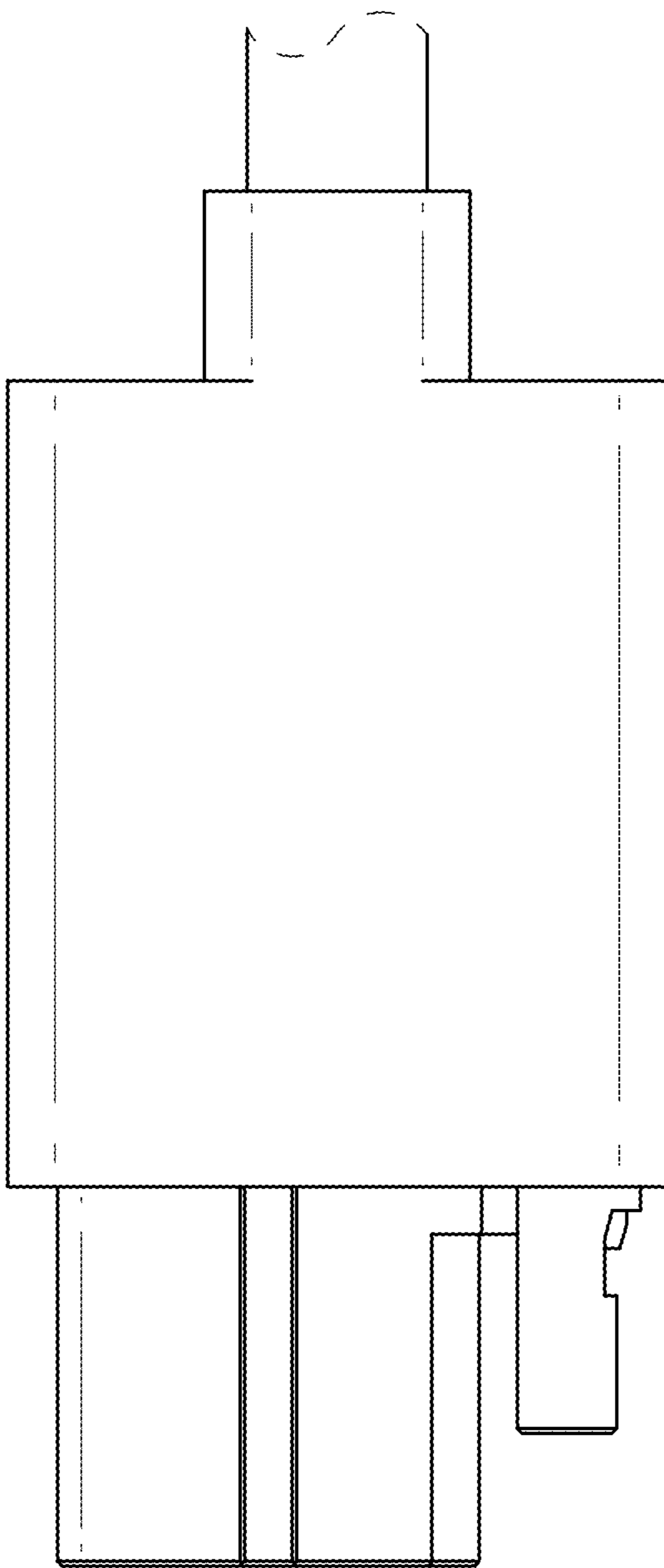
**FIG. 3**



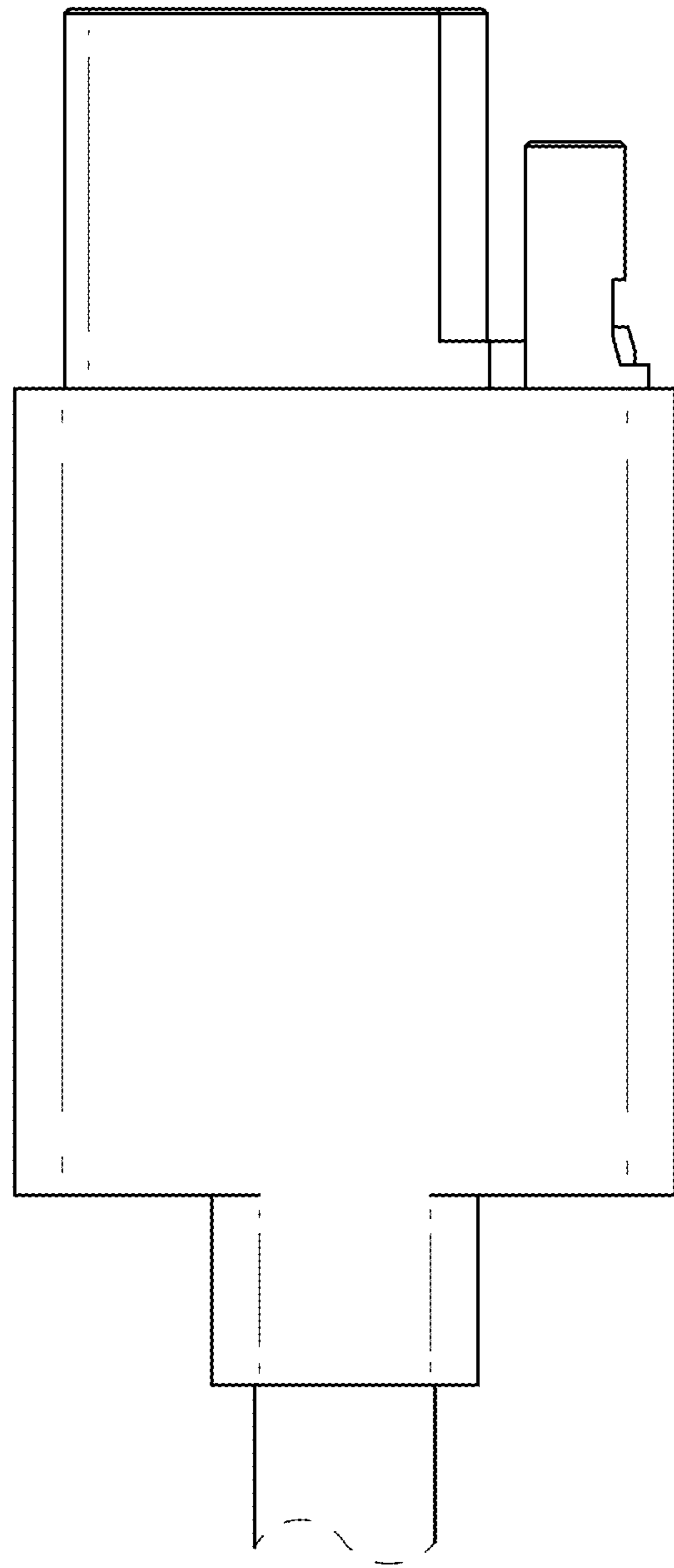
**FIG. 4**



**FIG. 5**



**FIG. 6**



**FIG. 7**