



US00D906248S

(12) **United States Design Patent**
Sonerud

(10) **Patent No.:** **US D906,248 S**

(45) **Date of Patent:** **** Dec. 29, 2020**

(54) **SET OF PINS-PART OF AN ELECTRICAL CONNECTING PLUG**

(71) Applicant: **OilQuick AB**, Hudiksvall (SE)

(72) Inventor: **Åke Sonerud**, Hudiksvall (SE)

(**) Term: **15 Years**

(21) Appl. No.: **35/507,094**

(22) Filed: **Jan. 16, 2019**

(80) **Hague Agreement Data**

Int. Filing Date: **Jan. 16, 2019**

Int. Reg. No.: **DM/201747**

Int. Reg. Date: **Jan. 16, 2019**

Int. Reg. Pub. Date: **Jul. 19, 2019**

(51) **LOC (12) Cl.** **13-03**

(52) **U.S. Cl.**

USPC **D13/133**

(58) **Field of Classification Search**

USPC D13/133, 147, 153, 146, 120,
D13/138.1–138.2; D8/331, 334;
D14/433

CPC G02B 6/3816; H01R 13/6275; H01R
13/428; H01R 24/40; B60L 53/16

See application file for complete search history.

(56) **References Cited**

U.S. PATENT DOCUMENTS

- 2,352,618 A * 7/1944 Daenz H01R 13/428
439/683
- 2,386,177 A * 10/1945 Andersen H01R 13/6275
439/294

- 5,064,268 A * 11/1991 Morency G02B 6/3816
385/69
- D675,570 S * 2/2013 Muller D13/147
- D816,616 S * 5/2018 Corona D13/146
- D821,327 S * 6/2018 Smajda D13/138.1
- D825,568 S * 8/2018 Morris D14/433
- D830,306 S * 10/2018 Cantz D13/133
- D837,035 S * 1/2019 Zhu D8/331
- D840,933 S * 2/2019 Marchesi D13/120
- D840,934 S * 2/2019 Marchesi D13/120
- D843,320 S * 3/2019 Fennen D13/133
- D857,634 S * 8/2019 Reitenbach D13/146
- D863,221 S * 10/2019 Patenaude D13/133
- D865,484 S * 11/2019 Zhu D8/334
- D869,399 S * 12/2019 Ko D13/153
- D870,673 S * 12/2019 Obata D13/147
- 2017/0229804 A1 * 8/2017 Kurita B60L 53/16
- 2018/0248322 A1 * 8/2018 Foran H01R 24/40

* cited by examiner

Primary Examiner — Rhea Shields

(57) **CLAIM**

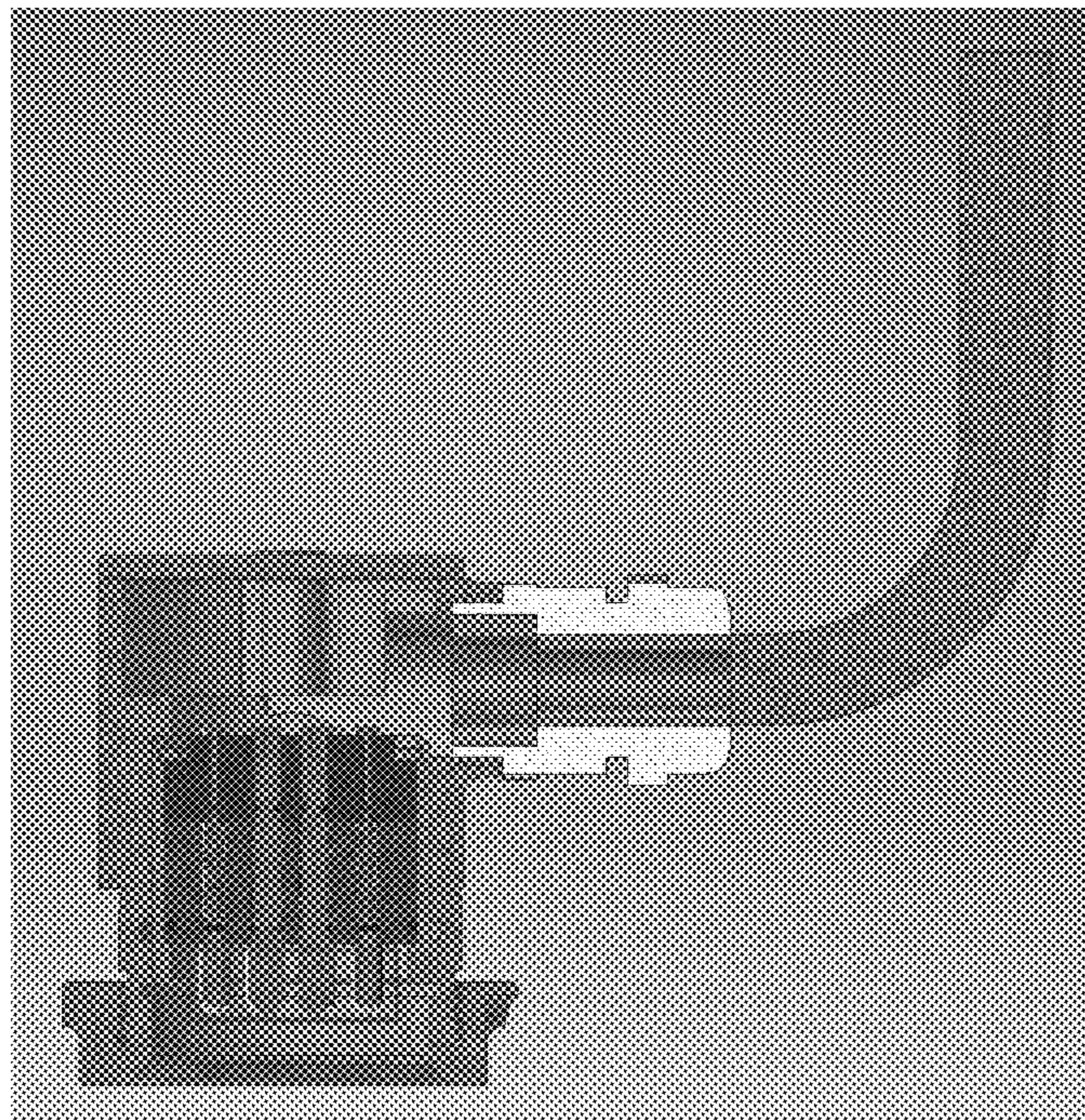
The ornamental design for a set of pins—part of an electrical connecting plug, as shown and described.

DESCRIPTION

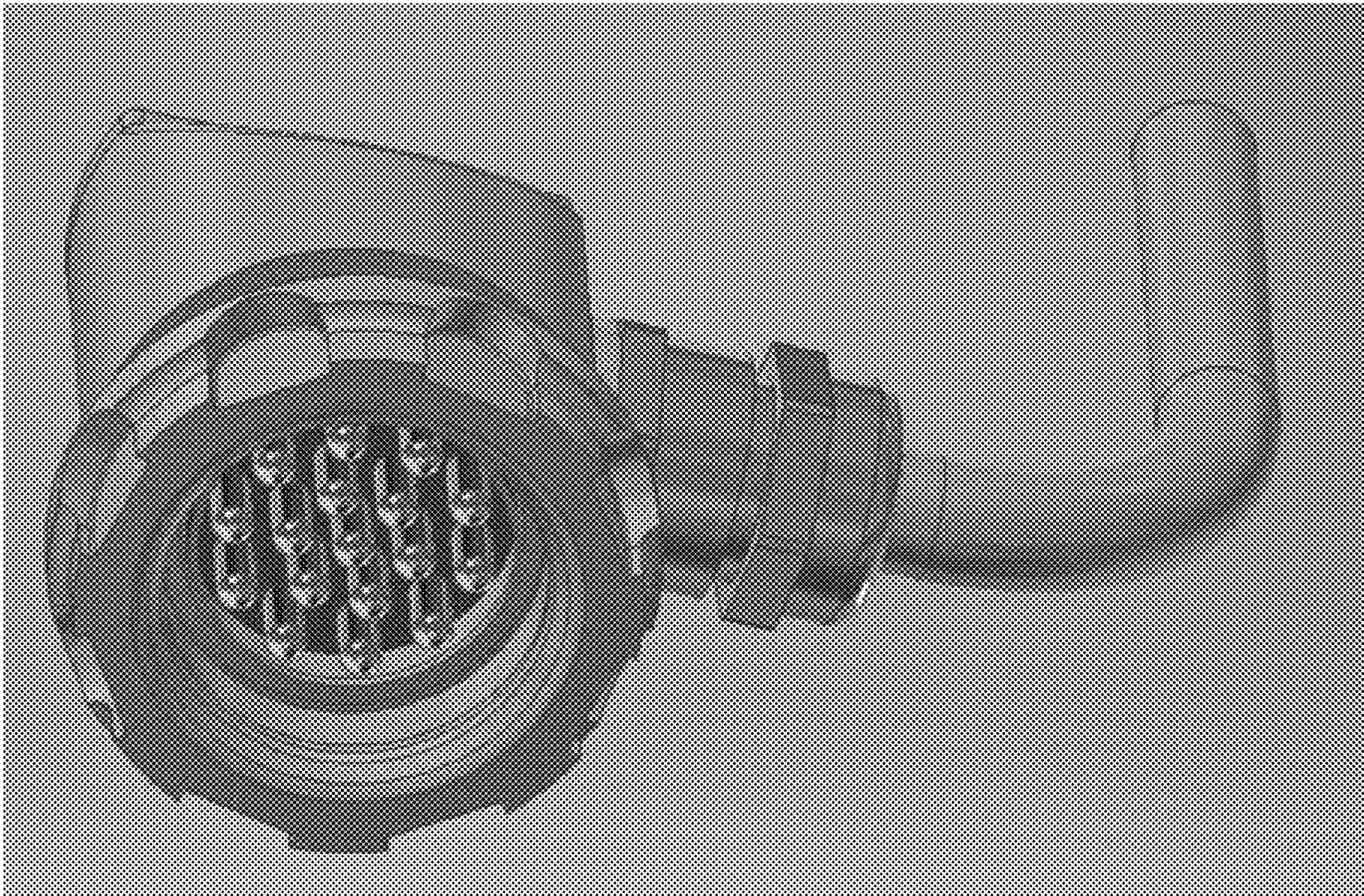
The patent or application file contains at least one drawing executed in color. Copies of this patent or patent application publication with color drawing(s) will be provided by the Office upon request and payment of the necessary fee.

- 1. Set of pins—part of an electrical connecting plug
- 1.1 is a bottom perspective view;
- 1.2 is a bottom view;
- 1.3 is a side view; and
- 1.4 is a sectional side view.

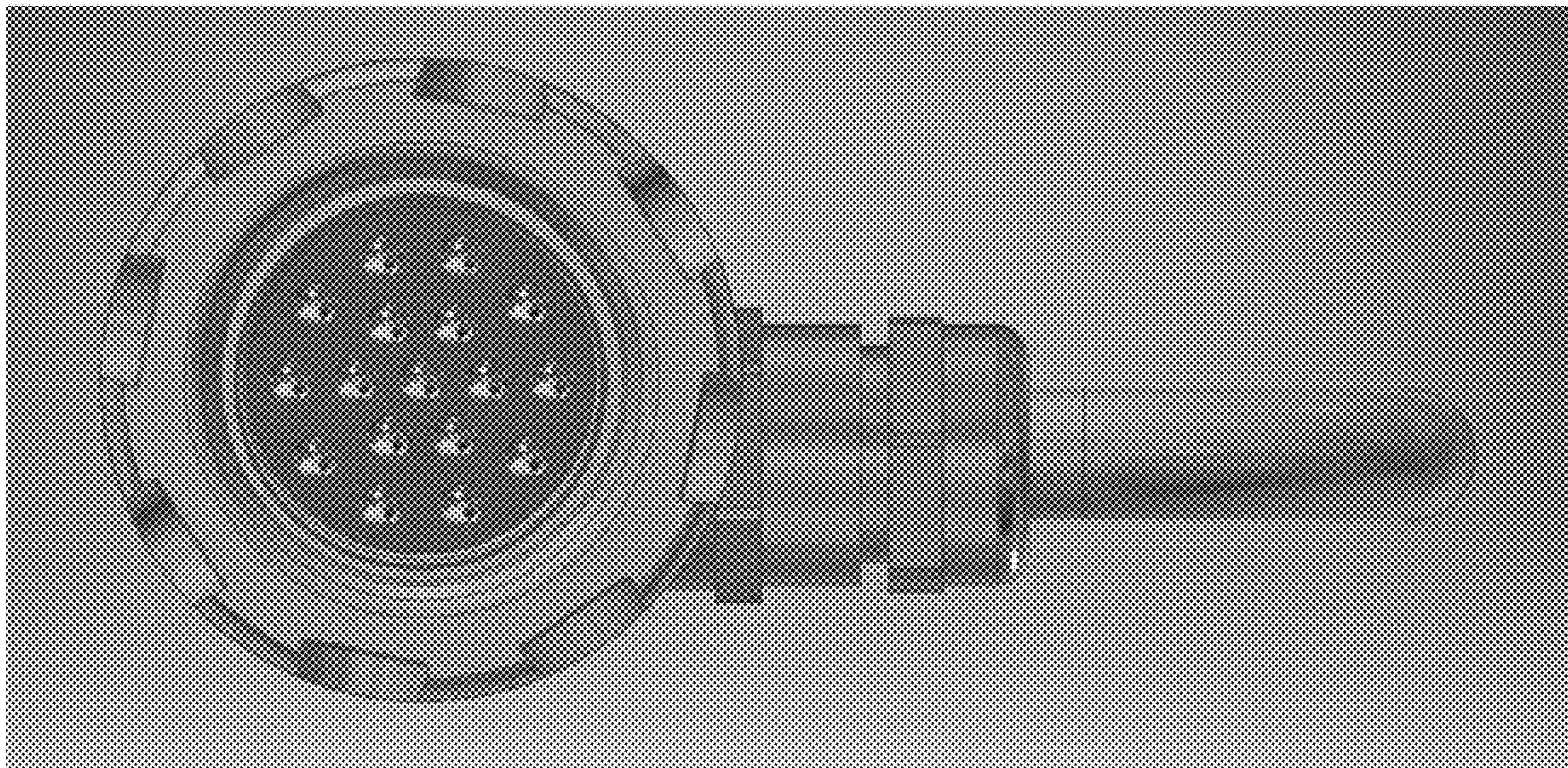
1 Claim, 4 Drawing Sheets
(4 of 4 Drawing Sheet(s) Filed in Color)



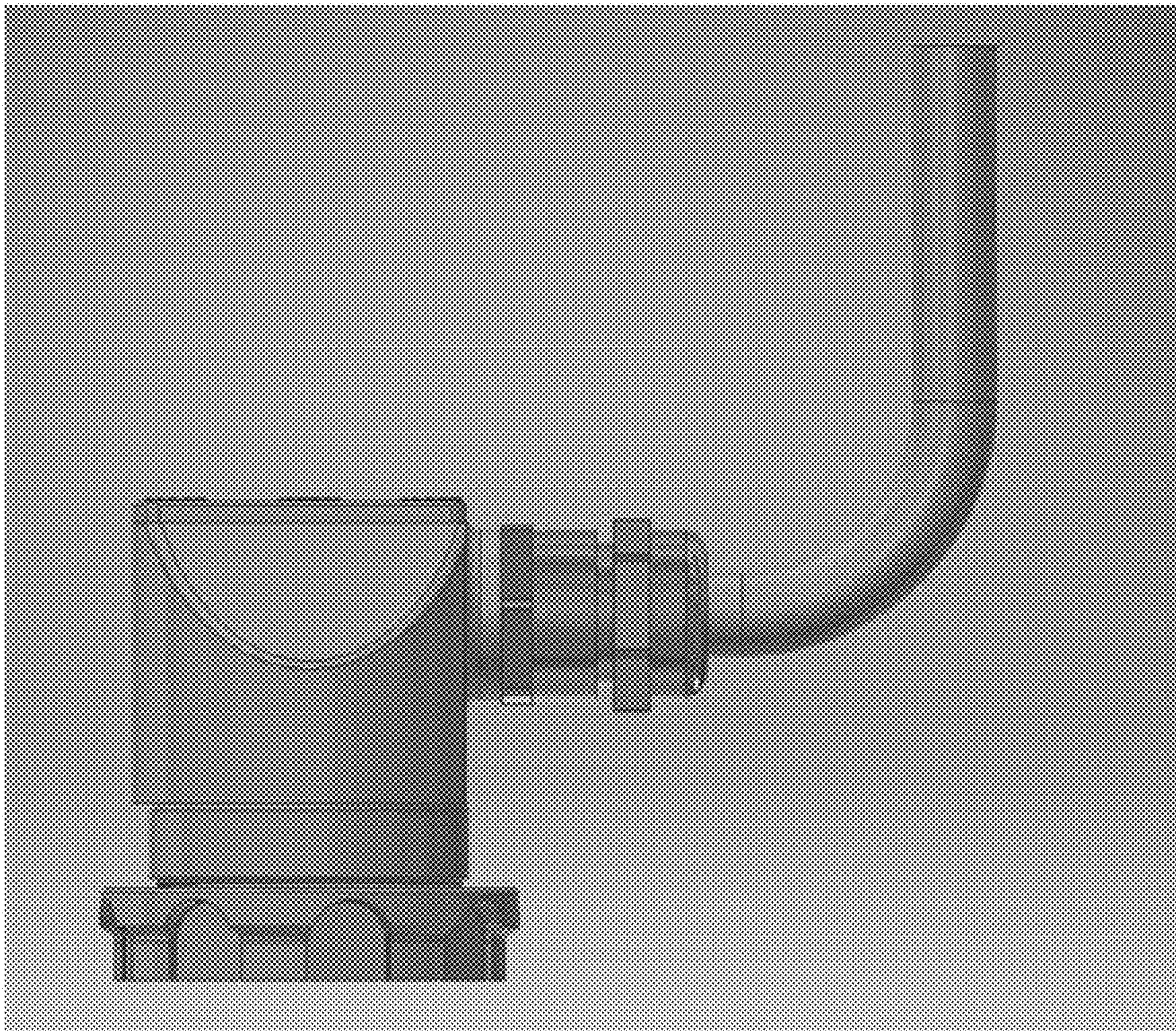
1.1



1.2



1.3



1.4

