



US00D906247S

(12) **United States Design Patent**
Stockman

(10) **Patent No.:** **US D906,247 S**
(45) **Date of Patent:** **** Dec. 29, 2020**

(54) **CAPACITOR**

(71) Applicant: **American Radionic Company, Inc.**,
Palm Coast, FL (US)

(72) Inventor: **Robert M. Stockman**, Palm Coast, FL
(US)

(73) Assignee: **American Radionic Company, Inc.**,
Palm Coast, FL (US)

(**) Term: **15 Years**

(21) Appl. No.: **29/697,780**

(22) Filed: **Jul. 11, 2019**

(51) **LOC (12) Cl.** **13-03**

(52) **U.S. Cl.**
USPC **D13/124**

(58) **Field of Classification Search**
USPC D13/123-132, 154, 199, 184
CPC H01G 4/224; H01G 4/232; H01G 4/28;
H01G 4/385; H01G 4/40
See application file for complete search history.

(56) **References Cited**

U.S. PATENT DOCUMENTS

1,665,499 A	4/1928	Hoch
1,707,959 A	4/1929	Fned
1,943,714 A	1/1934	Bailey
2,202,166 A	11/1937	Peck
D122,825 S	10/1940	Peck
D124,726 S	1/1941	Shimer
2,569,925 A	12/1948	Deeley
2,896,008 A	12/1953	Putz
2,779,813 A	1/1957	Collins
3,015,687 A	11/1959	Ruscito
3,246,205 A	4/1966	Miller
3,302,081 A	1/1967	Grahame
3,304,473 A	2/1967	Netherwood et al.
D209,054 S	10/1967	Braiman et al.

D210,210 S	2/1968	Braiman et al.
3,377,510 A	4/1968	Rayno
3,593,066 A	7/1971	Norman
3,771,321 A	11/1973	Maksy
3,921,041 A	11/1975	Stockman

(Continued)

FOREIGN PATENT DOCUMENTS

CA	2285721	4/2000
CN	3607691	2/2007

(Continued)

OTHER PUBLICATIONS

MGH NMR Center. Link: <https://www.nmr.mgh.harvard.edu/~reese/electrolytics/>. Visited Aug. 26, 2020. Strategies to Repair or Replace Old Electrolytic Capacitors. (Year: 2020).*

(Continued)

Primary Examiner — Lauren D McVey
(74) *Attorney, Agent, or Firm* — Fish & Richardson P.C.

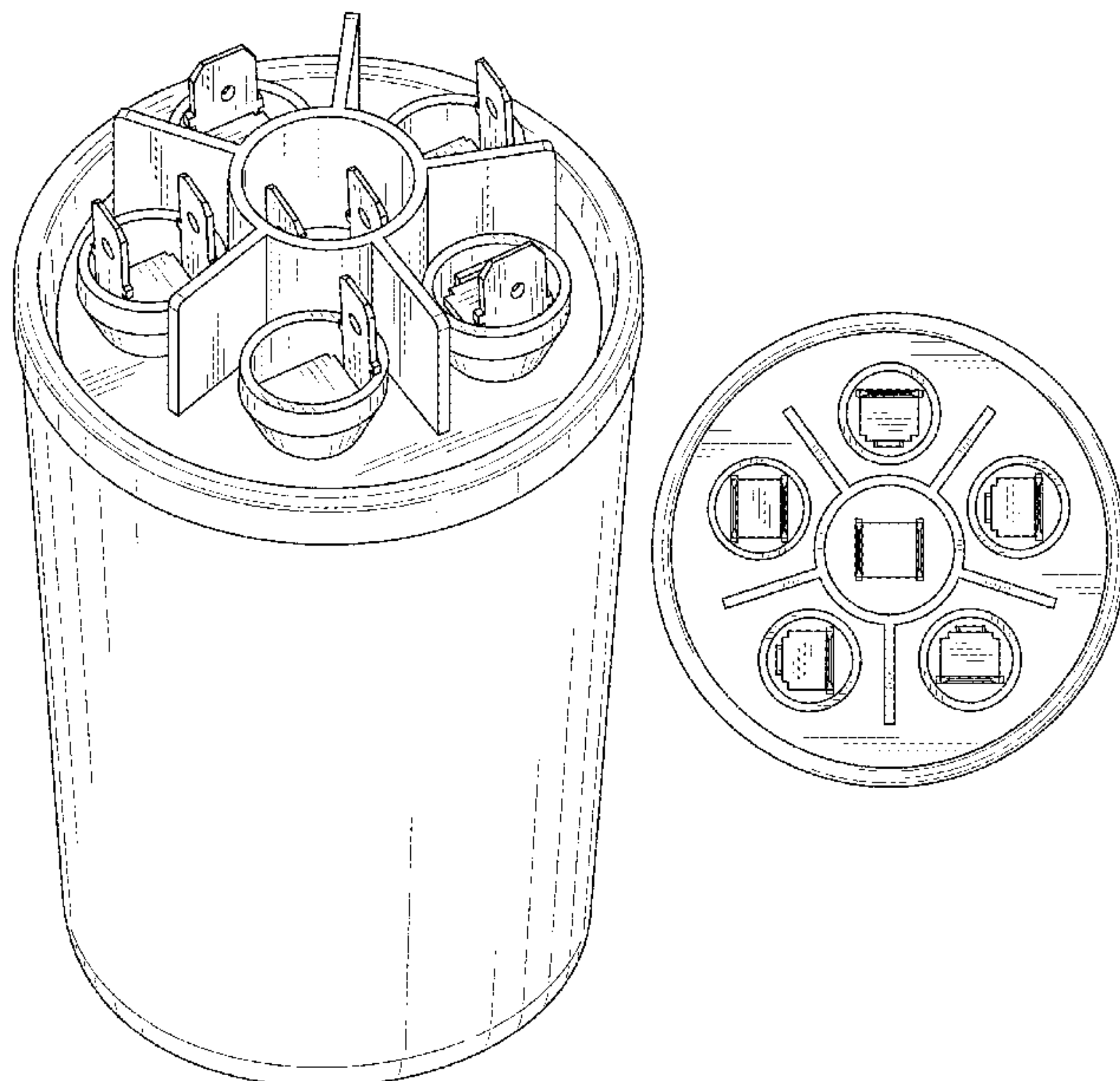
(57) **CLAIM**

The ornamental design for a capacitor, substantially as shown and described.

DESCRIPTION

FIG. 1 is a perspective view of a capacitor showing my new design;
FIG. 2 is a front view thereof;
FIG. 3 is a back view thereof;
FIG. 4 is a right side view thereof;
FIG. 5 is a left side view thereof;
FIG. 6 is a top view thereof;
FIG. 7 is a bottom view thereof; and,
FIG. 8 is a perspective view thereof shown with broken line environment that forms no part of the claimed design.
The broken lines illustrate environmental features and form no part of the claimed design.

1 Claim, 5 Drawing Sheets



(56)

References Cited

U.S. PATENT DOCUMENTS

3,988,650	A	10/1976	Fritze	6,697,249	B2	2/2004	Maletin et al.
4,028,595	A	6/1977	Stockman	6,798,677	B2	9/2004	Jakob et al.
4,095,902	A	6/1978	Florer et al.	6,807,048	B1	10/2004	Nielsen
4,106,068	A	8/1978	Flanagan	6,816,541	B1	11/2004	Hong
4,107,758	A	8/1978	Shim et al.	6,819,545	B1	11/2004	Lobo et al.
4,112,424	A	9/1978	Lapeyre	6,842,328	B2	1/2005	Schott
4,209,815	A	6/1980	Rollins et al.	6,847,517	B2	1/2005	Iwaida et al.
4,240,126	A	12/1980	Sanvito	6,888,266	B2	5/2005	Burke et al.
4,263,638	A	4/1981	Stockman et al.	6,922,330	B2	7/2005	Nielson et al.
4,312,027	A	1/1982	Stockman	6,930,874	B2	8/2005	Lobot et al.
4,326,237	A	4/1982	Markarian et al.	6,982,539	B1	1/2006	Ward
4,352,145	A	9/1982	Stockman	6,995,971	B2	2/2006	Norton
4,363,078	A	12/1982	Dwyer	7,031,139	B1	4/2006	Fayram
4,398,782	A	8/1983	Markarian	7,046,498	B1	5/2006	Huang
4,408,818	A	10/1983	Markarian	D522,456	S	6/2006	Matsumoto
4,420,791	A	12/1983	Shedigian	7,110,240	B2	9/2006	Breyen
4,447,854	A	5/1984	Markarian	7,184,256	B1	2/2007	Sato
4,459,637	A	7/1984	Shedigian	7,203,053	B2	4/2007	Stockman
4,486,809	A	12/1984	Deak et al.	7,206,186	B1	4/2007	Knight
4,546,300	A	10/1985	Shaikh	7,251,123	B2	7/2007	O'Phelan
4,558,394	A	12/1985	Stockman	7,365,959	B1	4/2008	Ward
4,586,107	A	4/1986	Price	7,423,861	B2	9/2008	Stockman
4,609,967	A	9/1986	Shedigian	7,474,519	B2	1/2009	Stockman
4,621,301	A	11/1986	Shedigian	7,474,520	B2	1/2009	Kashihara
4,631,631	A	12/1986	Hodges et al.	7,492,574	B2	2/2009	Fresard et al.
4,633,365	A	12/1986	Stockman	7,511,941	B1	3/2009	Gallay
4,633,367	A	12/1986	Strange et al.	7,547,233	B2	6/2009	Inoue et al.
4,633,369	A	12/1986	Lapp et al.	7,619,420	B2	11/2009	Stockman
4,639,828	A	1/1987	Strange et al.	7,667,954	B2	2/2010	Lessner
4,642,731	A	2/1987	Shedigian	7,710,713	B2	5/2010	Restorff
4,698,725	A	10/1987	MacDougall et al.	D621,789	S	8/2010	Wang et al.
4,737,785	A	4/1988	Zottnik	7,835,133	B2	11/2010	Stockman
4,754,361	A	6/1988	Venturini	7,848,079	B1	12/2010	Gordin et al.
4,768,129	A	8/1988	Sasaki	7,867,290	B2	1/2011	Nielsen
4,811,161	A	3/1989	Sasaki	7,881,043	B2	2/2011	Hirose et al.
4,812,941	A	3/1989	Rice et al.	7,911,762	B2	3/2011	Stockman
4,897,760	A	1/1990	Bourbeau	7,911,766	B2	3/2011	Caumont et al.
D307,000	S	4/1990	Sasaki	7,952,854	B2	5/2011	Stockman
5,006,726	A	4/1991	Okumura	7,987,593	B1	8/2011	Gorst
5,019,934	A	5/1991	Bentley et al.	8,029,290	B2	10/2011	Johnson
5,032,948	A	7/1991	Sakai	8,170,662	B2	5/2012	Bocek
5,138,519	A	8/1992	Stockman	8,174,817	B2	5/2012	Georgopoulos et al.
5,148,347	A	9/1992	Cox et al.	8,270,143	B2	9/2012	Stockman
5,280,219	A	1/1994	Ghanbari	8,274,778	B2	9/2012	Yoshinaga et al.
5,313,360	A	5/1994	Stockman	8,310,802	B2	11/2012	Fujii et al.
5,381,301	A	1/1995	Hudis	8,331,076	B2	12/2012	Tuncer
5,412,532	A	5/1995	Nishimori	8,456,795	B2	6/2013	Stockman
5,528,120	A	6/1996	Brodetsky	8,465,555	B2	6/2013	Sherwood
5,561,357	A	10/1996	Schroeder	8,514,547	B2	8/2013	Galvagni
5,673,168	A	9/1997	Efford et al.	8,514,548	B2	8/2013	Miller et al.
5,817,975	A	10/1998	Heilmann et al.	8,531,815	B2	9/2013	Stockman
5,917,975	A	6/1999	Bloom	8,537,522	B2	9/2013	Stockman
5,921,820	A	7/1999	Dijkstra	8,559,161	B2	10/2013	Takeoka et al.
5,940,263	A	8/1999	Jakoubovitch	8,761,875	B2	6/2014	Sherwood
6,009,348	A	12/1999	Rorvick et al.	8,842,411	B2	9/2014	Zhang
6,014,308	A	1/2000	Stockman	8,853,318	B2	10/2014	Tielemans
6,031,713	A	2/2000	Takeisha et al.	8,861,178	B2	10/2014	Terashima et al.
6,084,764	A	7/2000	Anderson	8,861,184	B2	10/2014	Schmidt
6,141,205	A	10/2000	Nutzman	8,871,850	B2	10/2014	Koh et al.
6,147,856	A	11/2000	Karidis	8,885,318	B2	11/2014	Stockman
6,157,531	A	12/2000	Breyen et al.	8,891,224	B2	11/2014	Stockman
6,212,058	B1	4/2001	Huber	D729,164	S	5/2015	Chen
6,222,270	B1	4/2001	Lee	9,105,401	B2	8/2015	Dreissig
6,233,133	B1 *	5/2001	Weng H01G 4/06 361/301.3	9,318,261	B2	4/2016	Stockman
6,282,078	B1	8/2001	Tsai	9,324,501	B2	4/2016	Stockman
6,282,081	B1	8/2001	Takabayashi et al.	9,343,238	B2	5/2016	Stockman
6,310,756	B1	10/2001	Miura et al.	9,378,893	B2	6/2016	Stockman
6,313,978	B1	11/2001	Stockman et al.	9,412,521	B2	8/2016	Stockman
6,373,720	B1	4/2002	Fechtig et al.	9,424,995	B2	8/2016	Stockman
6,385,490	B1	5/2002	O'Phelan	9,466,429	B1	10/2016	Casanova
6,404,618	B1	6/2002	Beard et al.	D771,567	S	11/2016	Flohe et al.
6,410,184	B1	6/2002	Horiuchi	9,496,086	B2	11/2016	Stockman
6,490,158	B1	12/2002	Ellyson et al.	9,536,670	B2	1/2017	Stockman
6,552,893	B2	4/2003	Tanaka	9,859,060	B1	1/2018	Stockman et al.
				9,916,934	B1	3/2018	Casanova et al.
				D818,437	S	5/2018	Stockman
				D818,959	S	5/2018	Stockman
				10,056,194	B2	8/2018	Stockman
				10,056,195	B2	8/2018	Stockman

(56)

References Cited

U.S. PATENT DOCUMENTS

D829,173 S 9/2018 Stockman
 10,134,528 B2 11/2018 Stockman
 10,147,549 B2 12/2018 Stockman
 10,147,550 B1 12/2018 Stockman
 10,163,571 B2 12/2018 Stockman
 10,209,751 B2 2/2019 Zikes
 10,249,439 B2 4/2019 Stockman
 10,256,195 B2 4/2019 Yamamoto
 10,366,840 B1 7/2019 Stockman
 10,475,588 B2 11/2019 Stockman
 10,497,518 B1 12/2019 Stockman
 10,586,655 B1 3/2020 Stockman
 D892,741 S * 8/2020 Biere D13/124
 2001/0025618 A1 10/2001 Kelling
 2002/0030548 A1 3/2002 Dejima
 2005/0272012 A1 12/2005 Logan et al.
 2006/0067031 A1 * 3/2006 Crane, Jr. H01G 4/232
 361/306.2
 2006/0201971 A1 9/2006 Wegman
 2006/0227495 A1 10/2006 Stockman
 2007/0025051 A1 2/2007 Stockman
 2007/0236860 A1 10/2007 Stockman
 2007/0279015 A1 12/2007 Livingston et al.
 2008/0158780 A1 7/2008 Stockman
 2008/0217053 A1 9/2008 Vojtila et al.
 2009/0001921 A1 1/2009 Mills
 2009/0052109 A1 2/2009 Stockman et al.
 2009/0059463 A1 3/2009 Ward
 2009/0219665 A1 9/2009 Stockman
 2011/0063775 A1 3/2011 Stockman
 2011/0134584 A1 6/2011 Stockman
 2011/0157764 A1 6/2011 Stockman
 2011/0228446 A1 9/2011 Stockman
 2011/0317333 A1 12/2011 Chun
 2012/0026046 A1 2/2012 Bit-Babik
 2013/0003252 A1 1/2013 Stockman
 2013/0214720 A1 8/2013 Stockman
 2013/0329342 A1 12/2013 Stockman
 2013/0343029 A1 12/2013 Stockman
 2014/0049205 A1 2/2014 Curiel
 2014/0126107 A1 5/2014 Yoda et al.
 2014/0138009 A1 5/2014 Lim
 2014/0201018 A1 7/2014 Chassin
 2014/0285949 A1 9/2014 Stockman
 2014/0347784 A1 11/2014 Stockman et al.
 2015/0016012 A1 1/2015 Stockman
 2015/0022991 A1 1/2015 Stockman et al.
 2015/0138690 A1 5/2015 Stockman
 2015/0255218 A1 9/2015 Stockman et al.
 2015/0287308 A1 10/2015 Shuttleworth
 2016/0028230 A1 1/2016 Elfman
 2016/0203916 A1 7/2016 Stockman
 2016/0233030 A1 8/2016 Stockman
 2017/0011855 A1 1/2017 Stockman et al.
 2017/0032898 A1 2/2017 Stockman
 2017/0110252 A1 4/2017 Stockman
 2017/0186554 A1 6/2017 Stockman
 2017/0229242 A1 8/2017 Goodson et al.
 2017/0236646 A1 8/2017 Stockman
 2017/0372838 A1 12/2017 Casanova et al.
 2018/0090278 A1 3/2018 Stockman et al.
 2018/0254150 A1 9/2018 Stockman et al.
 2018/0261391 A1 9/2018 Stockman
 2019/0057815 A1 2/2019 Stockman
 2019/0057817 A1 2/2019 Stockman
 2020/0066470 A1 2/2020 Mitchell
 2020/0143994 A1 5/2020 Stockman
 2020/0161057 A1 * 5/2020 Stockman H01G 4/236
 2020/0251285 A1 * 8/2020 Stockman H01G 5/01

FOREIGN PATENT DOCUMENTS

CN 304806073 9/2018
 CN 305610350 * 2/2020

CN 305625370 * 2/2020
 CN 305780976 * 5/2020
 EP 1115128 7/2001
 EP 2587503 5/2013
 FR 2343221 9/1977
 GB 517718 2/1940
 GB 2070861 9/1981
 GB 2169747 7/1986
 JP S498747 A 1/1974
 JP S498748 2/1974
 JP 07211596 A 8/1995
 JP 2007059477 A 3/2007
 JP 2015130259 7/2015
 WO WO-2010031594 A1 * 3/2010 H01G 4/38
 WO WO-2010037186 A1 * 4/2010 F24F 1/36

OTHER PUBLICATIONS

“American Radionics—Home of the Turbo200 MultiUse Capacitor,” online archive of website captured at http://web.archive.org/web/20050309191805fw_/http://www.americanradionic.com/home, Mar. 9, 2005, (16 pages), (accessed May 29, 2014).
 “AC Capacitors,” brochure by AmRad Engineering, Inc., undated (4 pages).
 “American Radionic Co., Inc. Introduces A New Circuit Component The Patented Ultramet™ Capacitor,” poster by American Radionic Co., Inc., (poster undated, 1980 year date appears below one image), (one page).
 “American Radionic Co., Inc. Introduces A New Circuit Component, The Patented Ultramet™ Capacitor,” poster by American Radionic Co., Inc., which is reprint from Electronic News dated Feb. 11, 1980, (one page).
 “American Radionic Co., Inc. Introduces . . . The World’s First Multiple Metallized Film Dielectric Capacitor Produced from a Single Winding! The Patented Ultramet™ Capacitor,” poster by American Radionic Co., Inc. (undated) (one page).
 “American Radionic Company’s Chronology of Patents, New Products and Technology Transfer Programs—From the Present, to the Past, a Thirty-Five Year Review,” online website having URL: <http://www.americanradionic.com/content/blogcategory/13/29/8/16> . accessed May 19, 2014 (undated) (3 pages).
 “American Radionic Introduces Capacitors Without Compromise”, color brochure, 1989, (1 page).
 “AmRad Engineering: Universal Capacitor.” The Air Conditioning|Heating|Refrigeration News, Jan. 29. 2005. Printout of website having URL: “<http://www.archrnews.com/articles/print/amrad-engineering-universal-capacitor>” (accessed Jun. 2, 2014) (1 page).
 “Capacitors—Motor Run, Oil Filled Capacitors, AC Rated. AmRad.” Online archive of website captured at <http://webarchive.org/web/20041214091042/http://americanradionic.com>, Dec. 14, 2004, (13 pages) (accessed May 29, 2014).
 “Capacitors—Motor Run, Oil Filled Capacitors, AC Rated. AmRad.” Online archive of website captured at <http://webarchive.org/web/20011126195819/http://www.americanradionic.com>, Nov. 26, 2001, (13 pages) (accessed May 29, 2014).
 “Capacitors—Motor Run, Oil Filled Capacitors, AC Rated. AmRad.” Printout of website having URL: <http://amradcapacitors.com/indx.htm>, Jan. 3, 2003(20 pages).
 “Industrial Power Factor Correction Capacitors,” Cornell Dubilier, Undated (1 page).
 “Product of the Year Awards,” Electronic Products Magazine, Jan. 1981, pp. 39-45.
 “Super-Sized Show,” ASHRAE Journal Show Daily, 2005 International Air-Conditioning, Heating, Refrigerating Exposition, Tuesday, Feb. 8, 2005 (24 pages).
 “The Patented Ultramet™ Capacitor.” poster by American Radionic Co., Inc., (undated) (three pages).
 “The Patented Ultramet™ Capacitor. A product of years of American Radionic research & development,” poster by American Radionic Co., Inc. (undated) (one page).
 Amazon. <https://www.amazon.com/TEMCo-Capacitor-RC0120-50-Electric-Motor/dp/B01H0S87X6/ref+pd_sim_328_5> Aug. 29,

(56)

References Cited

OTHER PUBLICATIONS

2014. TEMCo Dual Run Capacitor RC0120-50/5 nafd 370 V 440 V VAC volt 50+5 uf AC Electric Motor HVAC, 6 pages.

Amazon. <URL: https://www.amazon.com/AmRad-Turbo-200-Mini-Oval/dp/BOOKQSKDOY/ref=pd_sbs_60_4?encoding=UTF8&pd_rd_i=BOOKQSKDOY&pd_rd_r=A6%27%0E2%27%080%27%0A6> May 5, 2015. AniRad Turbo 200 Mini Oval Capacitor with label and color trim, 5 pages.

Amazon. <URL: https://www.amazon.com/Amrad-Turbo-Universal-Motor-Capacitor/dp/B00B610TOM/ref=pd_rhf_dp_s_cp_0_7?encoding=UTF8&pd_rd_i=B00B610TOM&pd_rd_r=N5WYCAD5Y36C86DFWDEG&pd_rd_w=6tW71&pd_rd_wg=DWEJcApsc=1&refRID=N5WYCAD5Y36C86DFWDEG> Jan. 27, 2013. Amrad Turbo 200X Universal Motor Run Capacitor.

Amazon. <URL: https://www.amazon.com/AmRad-USA2227-MFD-370-Volt/dp/BOOGSU3YV8/ref=pd_day0_328_6?encoding=UTF8&pd_rd_i=BOOGSU3YV8&pd_rd_r=0%27%080%27%0A6> Jun. 29, 2014. AmRad Dual Run Capacitor, 6 pages.

Amazon, <URL: https://www.amazon.com/CPT00656-Trane-Round-Capacitor-Upgrade/dp/BOOEVTIOMC/ref=cm_cr_arp_d_product_top?ie=UTF8> May 11, 2016. Replacement Trane Round Dual Run Capacitor, 6 pages.

Amazon. <URL: https://www.amazon.com/gp/product/B01HPK5ANO/ref=s9_dcacs_dcoop_bw_c_x_6_w> Aug. 21, 2016. Titan TRCFD405 Dual Rated Motor Run Capacitor, 6 pages.

Amazon. <URL: https://www.amazon.com/Labels-Protective-Backed-Clean-Remove-Adhesive/dp/BOOVIDW1C1/ref=sr_1_18?ie=UTF8&clid=15229578188&sr=8-18&key=Y0E2%27%080%27%0A6> Apr. 1, 2015. Labels, 7 pages.

Amazon. <URL: https://www.amazon.com/MARS-Motors-Armatures-12788-Capacitor/dp/BOOCOYS2CM/ref=pd_sim_328_6?encoding=UTF8&pd_rd_i=BOOCOYS2CM&pd_rd_r=KEFT1DXGOAWQ1KCZDJFJ&pd_rd_w=LNF6S&pd_rd_wg=5eFTh&psc=1&refRID=KEFT1DXGOAWQ1KCZDJFJ> Jan. 25, 2012. MARS Dual Run Capacitor, 7 pages.

Amazon, <URL: https://www.amazon.com/Packard-TRCFD405-5MFD-370VACCapacitor/dp/B009558E9U/ref=pd_sim_328_4?encoding=UTF8&pd_rd_i=B009558E9U&pd_rd_r=SX1DRWZQZ8SH12JWHYH2&pd_rd_w=y1jQe&pd_rd_wg=mH0n1&psc=1&refRID=SX1DRWZQZ8SH12JWHYH2&dpID=31IxzeyCr/0252137L&preST=_QL70_&dpSrc=detail> May 1, 2015. Packard Capacitor, 5 pages.

Amazon. <URL: https://www.amazon.com/Universal-Capacitor-Trane-Replacement-USA2031/dp/BOOGSU4OKW/ref=pd_sim_328_3?encoding=UTF8&pd_rd_i=BOOGSU4OKW&pd_rd_r=YX6P84XR7NY113X4DWJG&pd_rd_w=gejaD&pd_rd_wg=NLVIY&psc=1&refRID=YX6P84XR7NY113X4DWJG> Nov. 26, 2014. Am Rad Oval Universal Capacitor with label and color trim, 6 pages.

Amazon. <URL: https://www.amazon.com/dp/B00FL70C0U/ref=cm_sw_r_cp_ep_dp_qIIZBbFD278ZE> Dec. 4, 2013, Amrad Engineering USA2215 Round Motor Run Capacitor, 40 MFD, 370_440 Vac—Pipe Fittings, 6 pages.

Amazon. <URL: https://www.amazon.com/dp/B01F7P8GJO/ref=sspa_dk_detail_4?psc=1> Aug. 1, 2016. TradePro PowerWell Dual Run Round Capacitor, 6 pages.

Amazon. Link: https://www.amazon.com/Round-Universal-Capacitor-Replacement-USA2235/dp/BOOGSU4401/ref=cnn_cr_arp_d_product_top?ie=UTF8. Jun. 20, 2014. Round Dual Universal Capacitor. (Year: 2014). 6 pages.

Answer and affirmative defenses to Complaint by Cornell-Dubliner Electronics, Inc. (Allaman, Melissa) (Entered: Jan. 9, 2015).

Answer and affirmative defenses to Complaint by Packard Inc. (Allaman, Melissa) (Entered: Jan. 9, 2015).

Case Management and Scheduling Order: Amended Pleadings and Joinder of Parties due by Apr. 9, 2015. Discovery due by Feb. 16, 2016. Dispositive motions due by Apr. 7, 2016. Pretrial statement due by Aug. 11, 2016. All other motions due by Jul. 28, 2016. Plaintiff disclosure of expert report due by Dec. 10, 2015. Defendant disclosure of expert report due by Jan. 14, 2016. Final Pretrial

Conference set for Aug. 18, 2016 at 01:15 PM in Orlando Courtroom 4 A before Judge Roy B. Dalton, Jr., Jury Trial Set for the trial team commencing Sep. 6, 2016 at 09:00 AM in Orlando Courtroom 4 A before Judge Roy B. Dalton Jr., Conduct mediation hearing by Mar. 29, 2016. Lead counsel to coordinate dates. Signed by Judge Roy B. Dalton, Jr. on Feb. 10, 2015. (VMF). (Entered: Feb. 10, 2015).

Complaint for Patent Infringement against Cornell-Dubliner Electronics, Inc., Packard Inc. with Jury Demand (Filing fee \$400 receipt No. ORL-38930) filed by American Radionic Company, Inc. (Attachments: #1 Civil Cover sheet, #2 Exhibit A)(LMM) Modified on Nov. 19, 2014 (LMM). (Entered: Nov. 19, 2014).

Declaration of Noah C. Graubart in Support of Plaintiff's Claim Construction Brief by American Radionic Company, Inc. (Attachments: #1 Exhibit 1, #2 Exhibit 2, #3 Exhibit 3, #4 Exhibit 4, #5 Exhibit 5, #6 Exhibit 6) (Graubart, Noah) (Entered: Jun. 18, 2015). Defendants' First Supplemental Disclosure of Non-Infringement and Invalidity Contentions *American Radionic, Inc., v. Packard, Inc., and Cornell Dubilier Electronics, Inc.*, No. 6:14-cv-01881-RBD-KRS.

Document from Defendants' First Supplemental Disclosure of Non-Infringement and Invalidity Contentions that purported to be Standard for Safety UL 810 Capacitors, Underwriters Laboratories Inc. having multiple dates ranging from 1976 to 1988 (22 pages). Edisontechcenter. Link: <http://edisontechcenter.org/batteries.html#drycell>. 2014. Bright Star 1.5 V Columbia dry cell. (Year: 2014), 10 pages.

Eveready. Link: <http://www.eveready.com/about-us/battery-history>. Visited Nov. 30, 2018. 1950s Eveready Battery. (Year: 2018), 2 pages.

First Amended Answer and affirmative defenses to 1 Complaint by Cornell-Dubliner Electronics, Inc. (Allaman, Melissa) (Entered: Feb. 4, 2015).

First Amended Answer and affirmative defenses to 1 Complaint by Packard Inc. (Allaman, Melissa) (Entered: Jan. 9, 2015).

Grainger, "Round Motor Dual Run Capacitor, 40/5 Microfarad Rating, 370VAC Voltage," Retrieved from the Internet: URL <https://www.grainger.com/product/5CMW3&AL!2966!3!166587674359!!!g!82128730437!?cm_mmc=PPC:+Google+PLA?campaignid=719691765&s_kwcid=AL!2966!3!166587674359!!!!82128730437!&ef_id=WRSnxQAAAILWhRlb:20170824174108:s>. Visited Aug. 24, 2017, Capacitor.

Hudis, Martin et al., "Motor-Run Capacitors," *Motors & Motor Control*, undated (reprinted from Appliance Manufacturer, Oct. 1994) (3 pages).

Hudis, Martin, "Plastic Case Self-Protected Liquid Filled AC Capacitors for 70° Applications," Presented at CAPTECH '97, Mar. 1997, 7 pages.

Hudis, Martin, "Technology Evolution in Metallized Polymeric Film Capacitors over the Past 10 Years," Presented at CARTS Symposium in Nice, France, Oct. 1996, 9 pages.

International Search Report and Written Opinion, PCT/US2014/39003, dated Oct. 2, 2014, 12 pages.

Joint Pre-Hearing Statement re: Claim Construction by American Radionic Company, Inc., Packard Inc., Cornell-Dubliner Electronics, Inc. (Attachments: #1 Exhibit 1, #2 Exhibit 2) (Graubart, Noah) Modified on Jul. 24, 2015, Dated Jul. 23, 2015.

Macomber, Laird L., et al., "New Solid Polymer Aluminum Capacitors Improve Reliability," *Electro Power Electronics*, Oct. 1, 2001. 5 pages.

Macomber, Laird L., et al., "Solid Polymer Aluminum Capacitor Chips in DC-DC Converter Modules Reduce Cost and Size and Improve High-Frequency Performance," *PCIM Power Electronics 2001 Proceeding for the PowerSystems World Conference*, Sep. 2001, 8 pages.

Mallory Distributor Products Co., 1967 Precision Electronic Components Catalog, 52 pages.

Minute Entry, Proceedings of Claim Construction Hearing held before Judge Roy B. Dalton, Jr. on Aug. 24, 2015. Court Report: Arnie First (VMF) (FMV). (Entered: Aug. 24, 2015).

(56)

References Cited

OTHER PUBLICATIONS

Notice of Filing of Claim Construction Evidence by American Radionic Company, Inc. (Attachments: #1 Exhibit 1, #2 Exhibit 2, #3 Exhibit 3) (Graubart, Noah) Modified on Aug. 25, 2015 (EJS). (Entered: Aug. 25, 2015).

Order granting 69 Motion for Consent Judgment and Injunction, Signed by Judge Roy B. Dalton, Jr. on Nov. 5, 2015. (CAC) (Entered Nov. 5, 2015).

Parente, Audrey, "Can-sized device the right fit," The Daytona Beach News-Journal, Jan. 3, 2005 (2 pages).

Photograph 1 from Defendants' First Supplemental Disclosure of Non-Infringement and Invalidity Contentions, undated (1 page).

Photograph 10, undated (1 page).

Photograph 11, undated (1 page).

Photograph 12, undated (1 page).

Photograph 13, undated (1 page).

Photograph 14, undated (1 page).

Photograph 15, undated (1 page).

Photograph 16, undated (1 page).

Photograph 17, undated (1 page).

Photograph 18, undated (1 page).

Photograph 19, undated (1 page).

Photograph 2 from Defendants' First Supplemental Disclosure of Non-Infringement and Invalidity Contentions, undated (1 page).

Photograph 20, undated (1 page).

Photograph 3 from Defendants' First Supplemental Disclosure of Non-Infringement and Invalidity Contentions, undated (1 page).

Photograph 4 from Defendants' First Supplemental Disclosure of Non-Infringement and Invalidity Contentions, undated (1 page).

Photograph 5 from Defendants' First Supplemental Disclosure of Non-Infringement and Invalidity Contentions, undated (1 page).

Photograph 6 from Defendants' First Supplemental Disclosure of Non-Infringement and Invalidity Contentions, undated (1 page).

Photograph 7 from Defendants' First Supplemental Disclosure of Non-Infringement and Invalidity Contentions, undated (1 page).

Photograph 8, undated (1 page).

Photograph 9, undated (1 page).

Plaintiff's Brief re 59 Declaration Plaintiff's Claim Construction Brief filed by American Radionic Company, Inc. (Graubart, Noah) (Entered May 18, 2015), Date: Jun. 18, 2015.

Response to Plaintiff's Claim Construction Brief re 60 Brief—Plaintiff filed by Cornell-Dubliner Electronics, Inc., Packard Inc. (Killen, Craig) Modified on Jul. 17, 2015 (EJS). (Entered Jul. 16, 2015).

Ruby Lane, SuzansTreasures.shop, Link: <https://www.rubylane.com/item/34499-CCKx20-x20-x205/Mazon-Cobalt-Glass-Jar-Medicine-Bottle>. Visited Jul. 22, 2019. 1940s Mazon Cobalt Glass Jar Medicine Bottle.

Status report Joint Claim. Construction Statement by American Radionic Company, Inc., Packard Inc., and Cornell-Dubliner Electronics, Inc. (Attachments: #1 Exhibit 1, #2 Exhibit 2) (Graubart, Noah) Modified on May 29, 2015 (SWT). (Entered: May 28, 2015).

Transcript of Markman Hearing held on Aug. 24, 2015 before Judge Roy B. Dalton, Jr., Court Reporter Arnie R. First, DRD, CRR<ArnieFirst.CourtReporter@gmail.com. Transcript may, be viewed at the court public terminal or purchased through the Court Reporter before the deadline for Release of Transcript Restriction. After that date it may be obtained through PACER or purchased through the court Reporter, Redaction Request due Oct. 22, 2015. Redacted Transcript Deadline set for Nov. 2, 2015. Release of Transcript Restriction set for Dec. 30, 2015. (ARF) (Entered: Oct. 1, 2015). Wikimedia Commons. Link: <https://commons.wikimedia.org/wiki/File:PP4-PP3-batteries.jpg>. Oct. 22, 2016. Eveready PP4 battery. (Year: 2016), 17 pages.

YouTube. <URL: <https://www.youtube.com/watch?v=19A9IvQ611A&t=3s>> Oct. 1, 2015. GE Dual Run Capacitor, 5 pages.

YouTube. <URL: <https://www.youtube.com/watch?v=R5B189BWrz0>> Jul. 29, 2011. HVAC Service : Install New Turbo 200 Capacitor.

YouTube. <URL: <https://www.youtube.com/watch?v=U7h7pg12t6M>> Jul. 15, 2011. How To Install The Turbo 200 Capacitor.

YouTube. <URL: https://www.youtube.com/watch?v=Xiw_xHXJHUg> Sep. 4, 2011. AmRad Dual Run Capacitor, 4 pages.

YouTube video "AmRad's Turbo Installation" published on Apr. 22, 2012 by AmRad Engineering {link: <https://www.youtube.com/watch?v=axo86NCbuNs&lc=UgguTwZgduBg5HgCoAEC>.

YouTube video "HVAC 1 AC Repairs 1 Turbo 200 Capacitor Install 1 Crest Hill, IL 1 2" published on Jul. 15, 2011 by NLB Heating & Cooling hereafter referred to as NLB {link to video : <https://www.youtube.com/watch?v=U7h7pg12t6M>}.

* cited by examiner

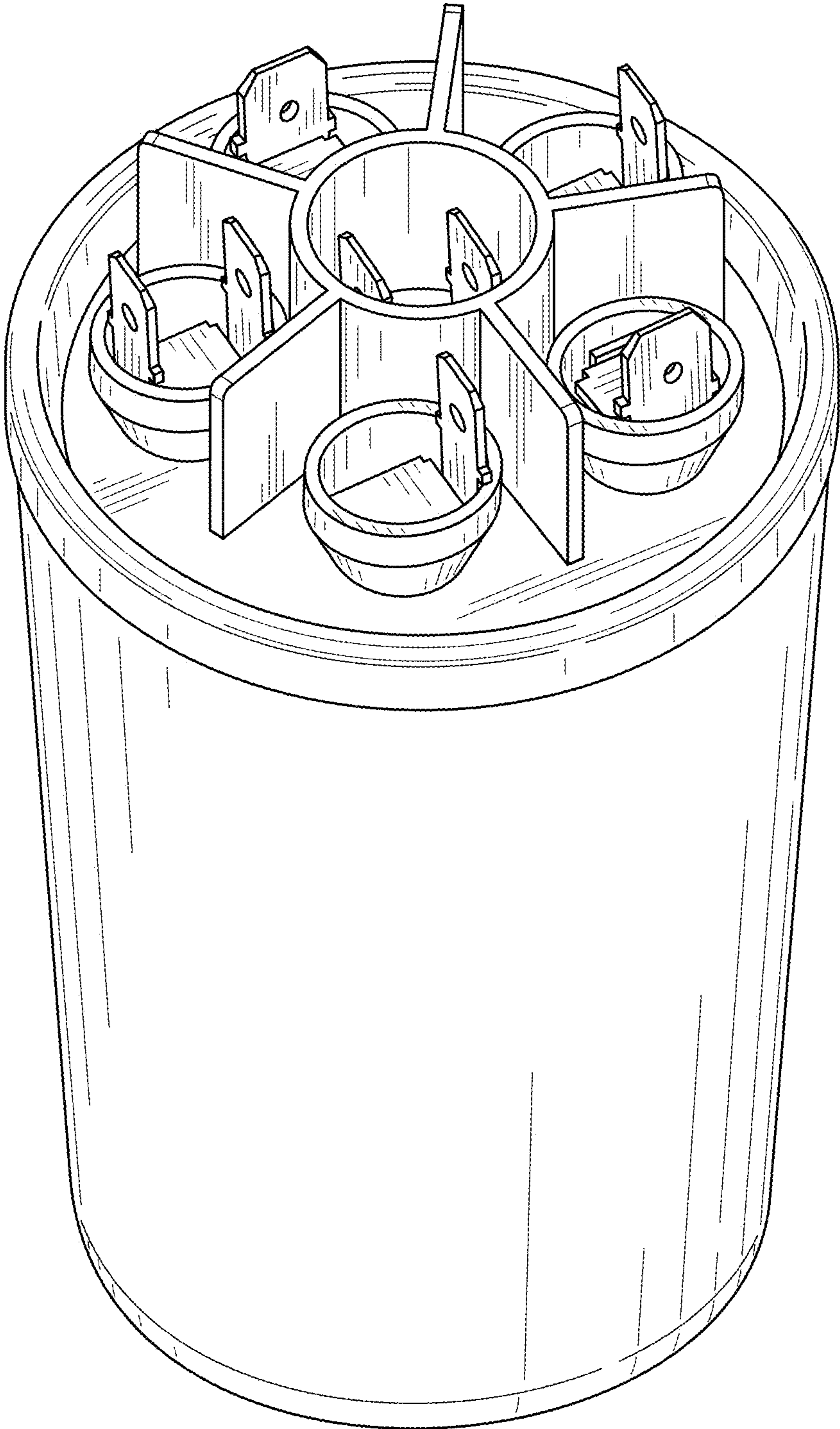


FIG. 1

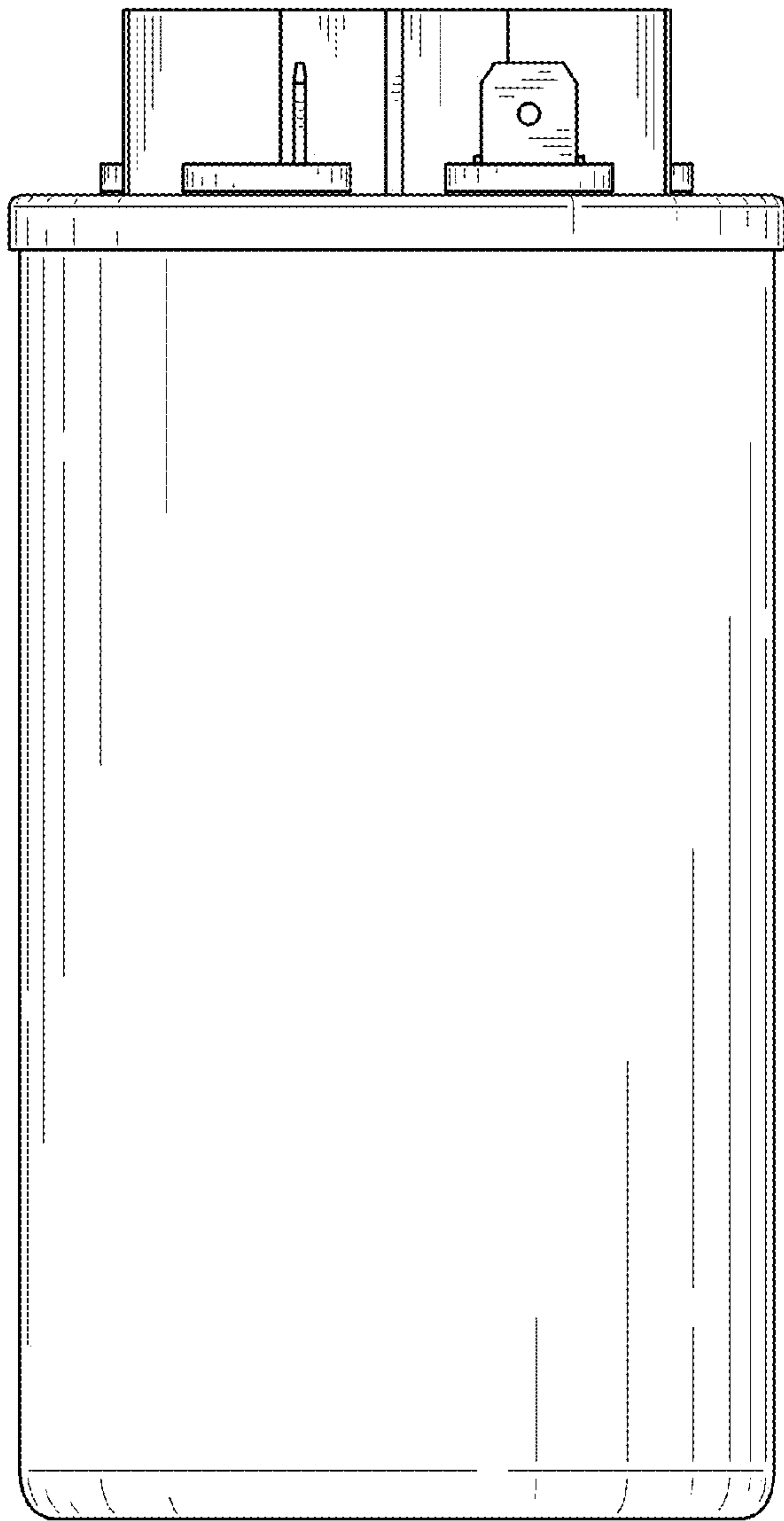


FIG. 2

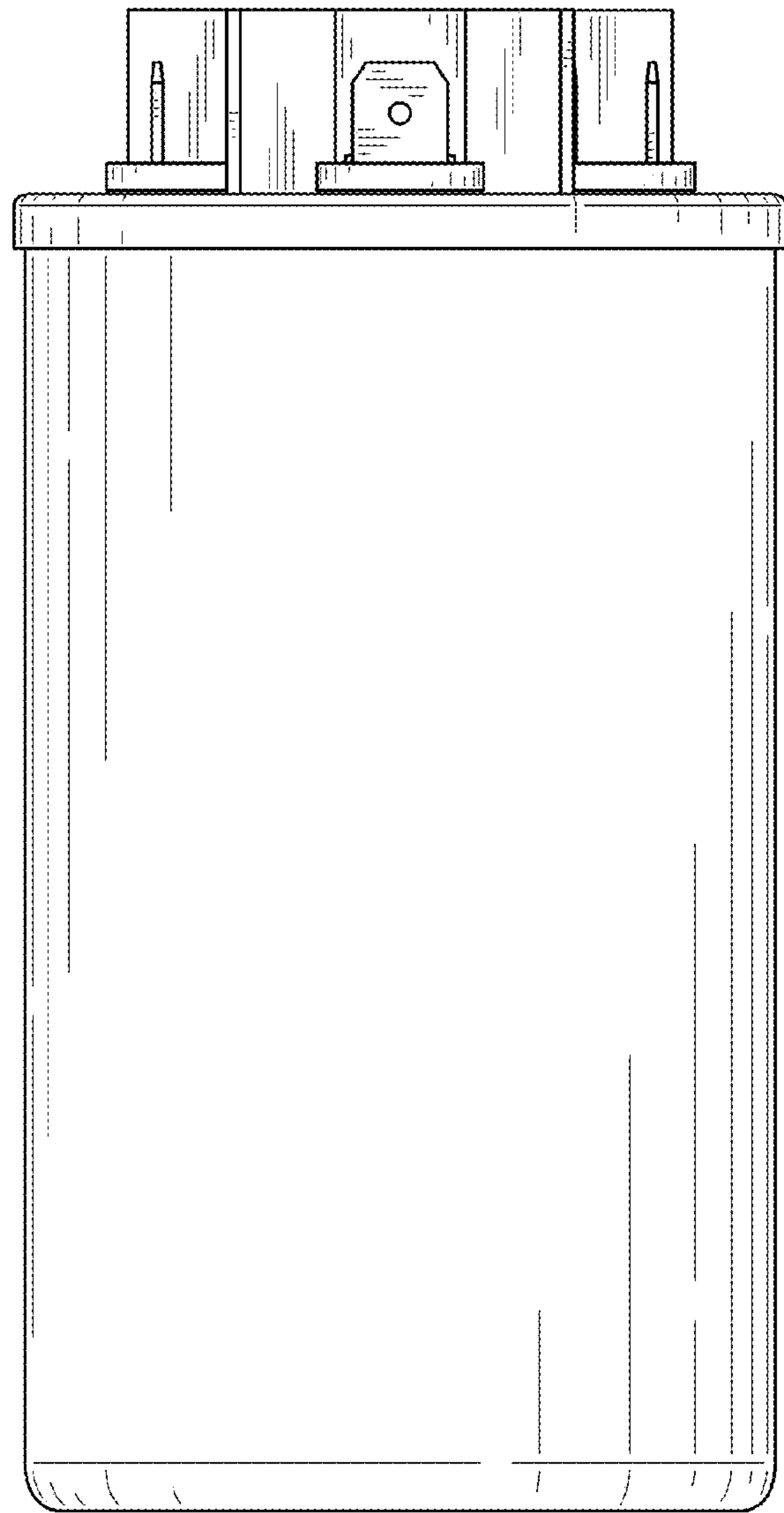


FIG. 3

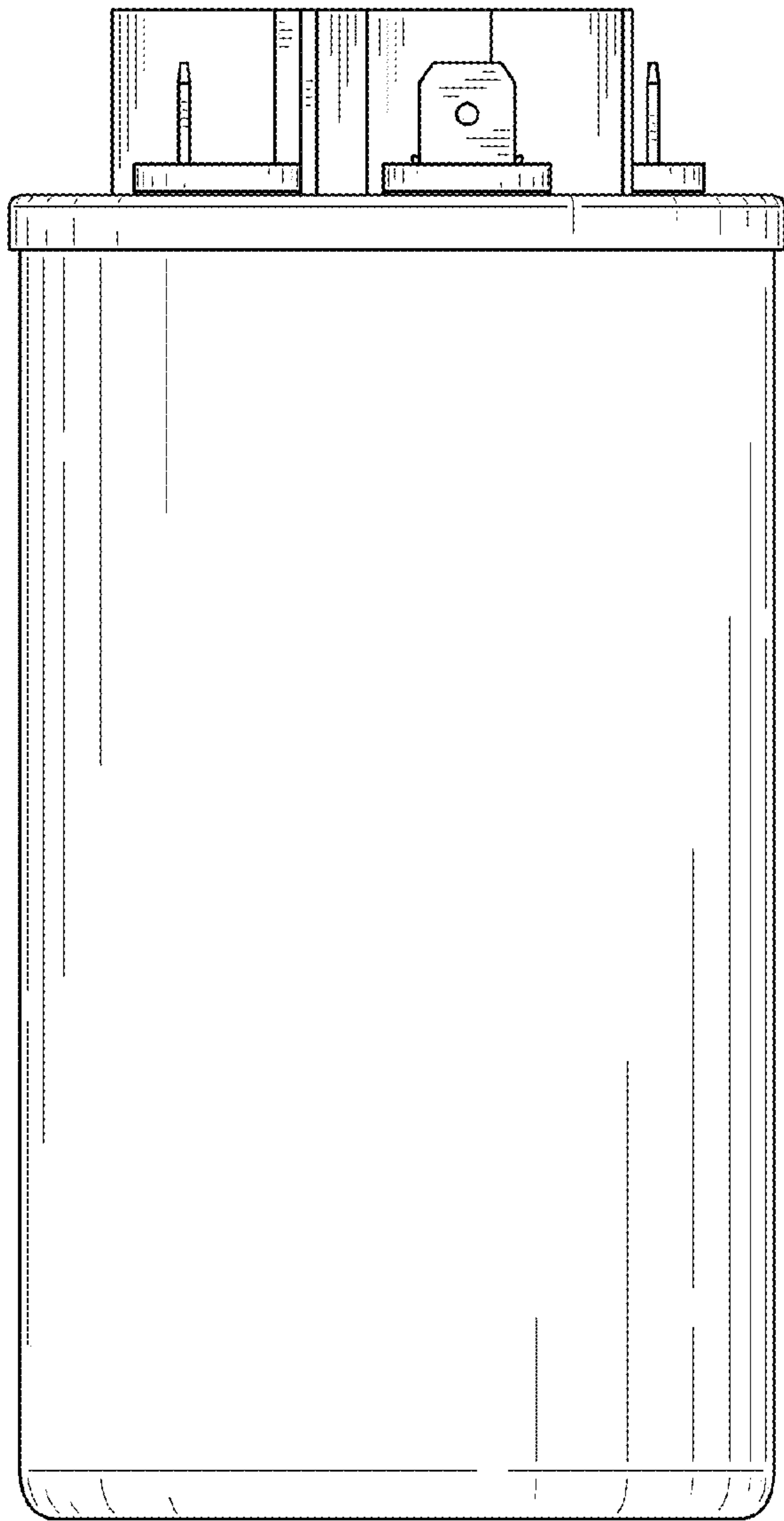


FIG. 4

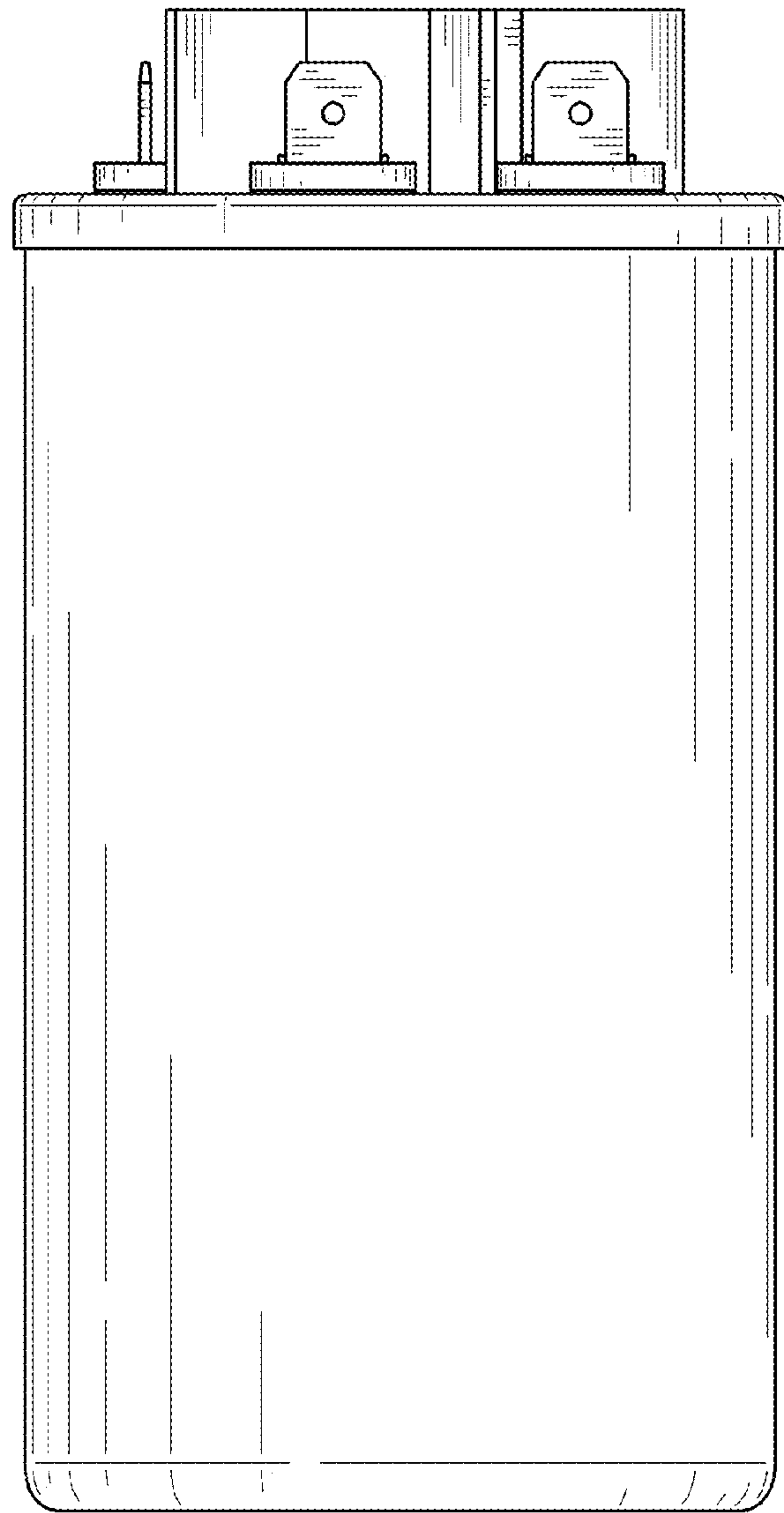


FIG. 5

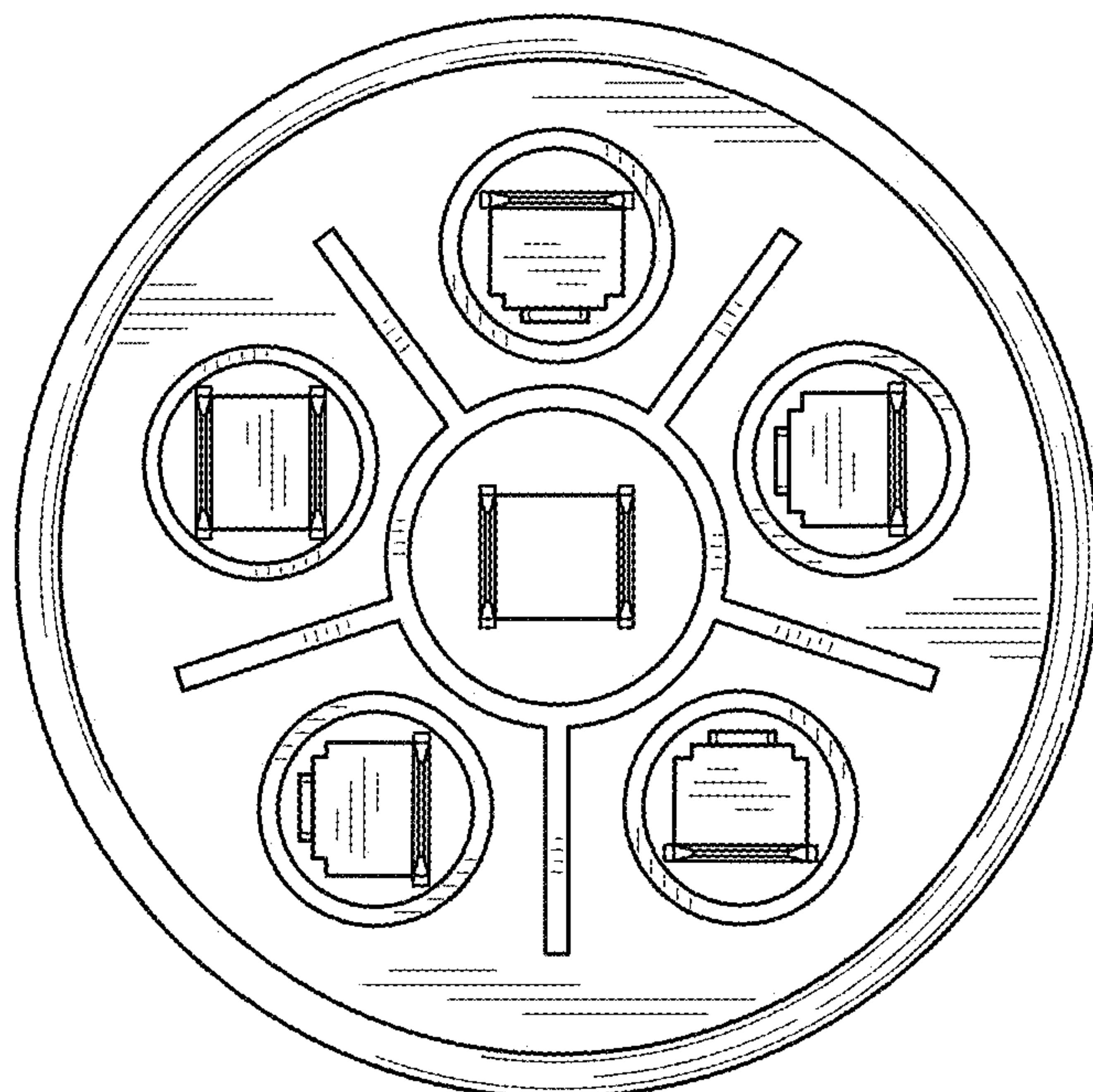


FIG. 6

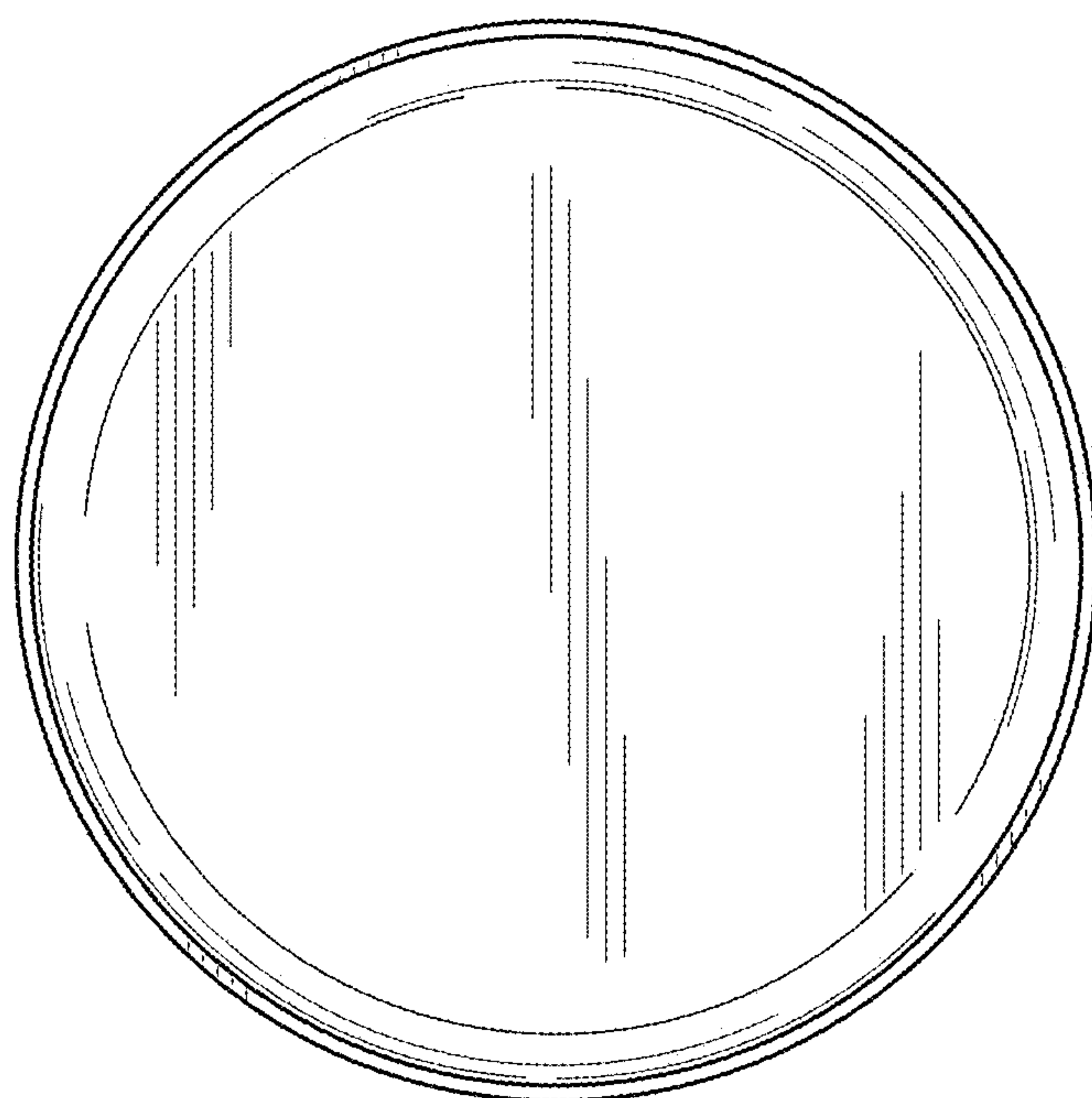


FIG. 7

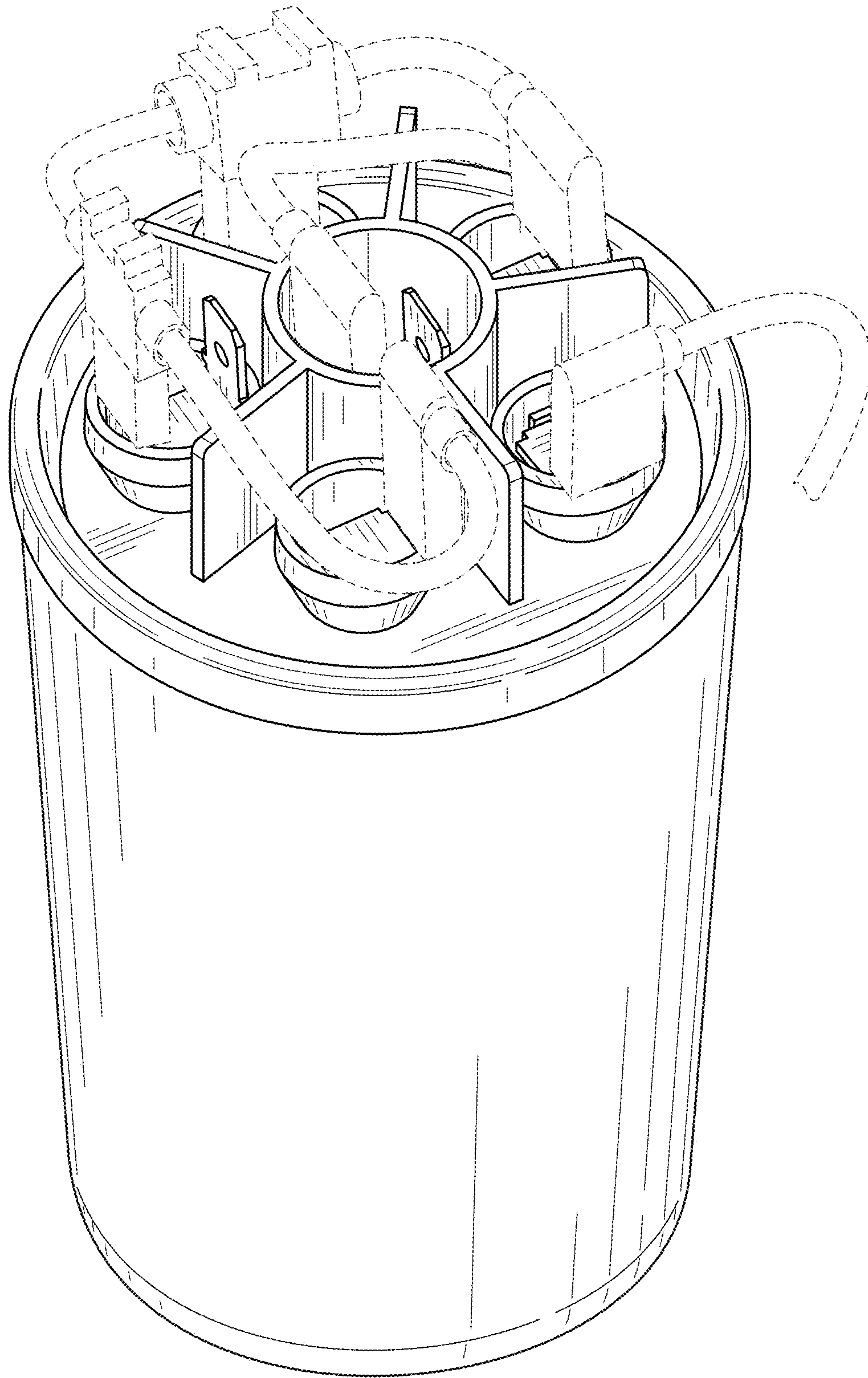


FIG. 8