



US00D906244S

(12) **United States Design Patent** (10) **Patent No.:** **US D906,244 S**
Xu (45) **Date of Patent:** **** Dec. 29, 2020**

(54) **STIRLING ENGINE**

(71) Applicant: **Ying Xu**, Hubei (CN)

(72) Inventor: **Ying Xu**, Hubei (CN)

(**) Term: **15 Years**

(21) Appl. No.: **29/680,774**

(22) Filed: **Feb. 20, 2019**

(51) **LOC (12) Cl.** **13-01**

(52) **U.S. Cl.**

USPC **D13/114**; D21/528

(58) **Field of Classification Search**

USPC D13/101, 110, 112, 114, 115, 118, 122,
D13/180, 184, 199; D15/1, 5, 199;
D21/528

CPC . F02G 1/04; F02G 1/043; F02G 1/044; F02G
1/057; F01K 23/06; F01K 23/10; F01B
29/10; F28D 7/06

See application file for complete search history.

(56) **References Cited**

U.S. PATENT DOCUMENTS

D332,936 S * 2/1993 Lawrence D13/112
D383,509 S * 9/1997 Karasaw 446/471
D403,722 S * 1/1999 Zimmer D13/112
D571,291 S * 6/2008 Jabaji D13/112
D578,064 S * 10/2008 Nimberger D13/114

D735,135 S * 7/2015 Todd D13/112
9,790,891 B2 * 10/2017 Moore, II F01K 23/10
2002/0124561 A1 * 9/2002 Ban F02G 1/043
60/517

OTHER PUBLICATIONS

https://www.amazon.com/Sunnytech-Stirling-Educational-Electricity-Generator/dp/B00LWVNTW/ref=sr_1_9?crid=YW74JIKAMY71&dchild=1&keywords=stirling+engine&qid=1598723814&sprefix=stirling+e%2Caps%2C165&sr=8-9 Aug. 15, 2018 (Year: 2018).*

* cited by examiner

Primary Examiner — Derrick E Holland

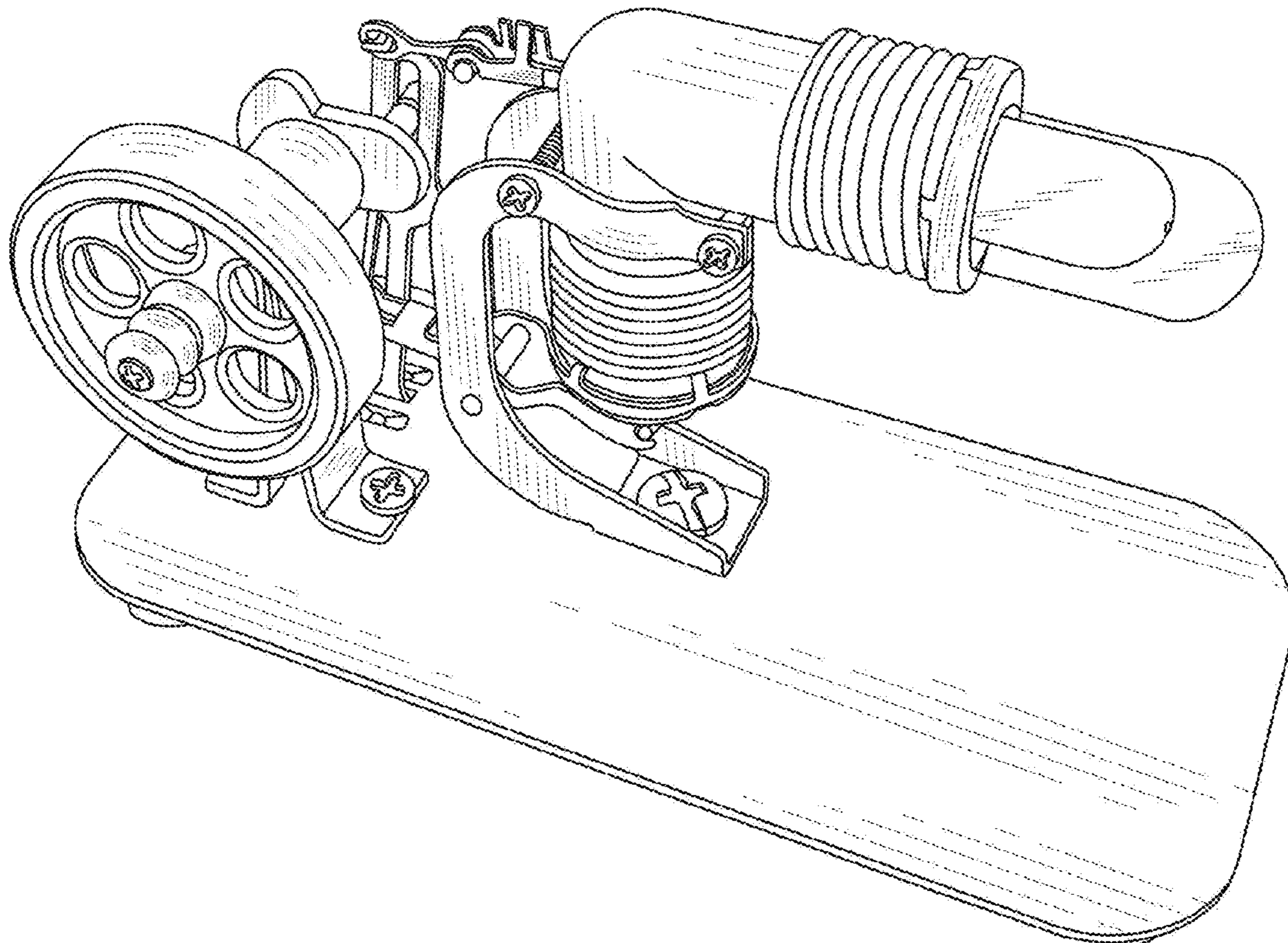
(57) **CLAIM**

The ornamental design for a stirling engine, as shown and described.

DESCRIPTION

FIG. 1 is a perspective view of a stirling engine showing my new design;
FIG. 2 is a front elevation view thereof;
FIG. 3 is a rear elevation view thereof;
FIG. 4 is a left side elevation view thereof;
FIG. 5 is a right side elevation view thereof;
FIG. 6 is a top plan view thereof; and,
FIG. 7 is a bottom plan view thereof.

1 Claim, 7 Drawing Sheets



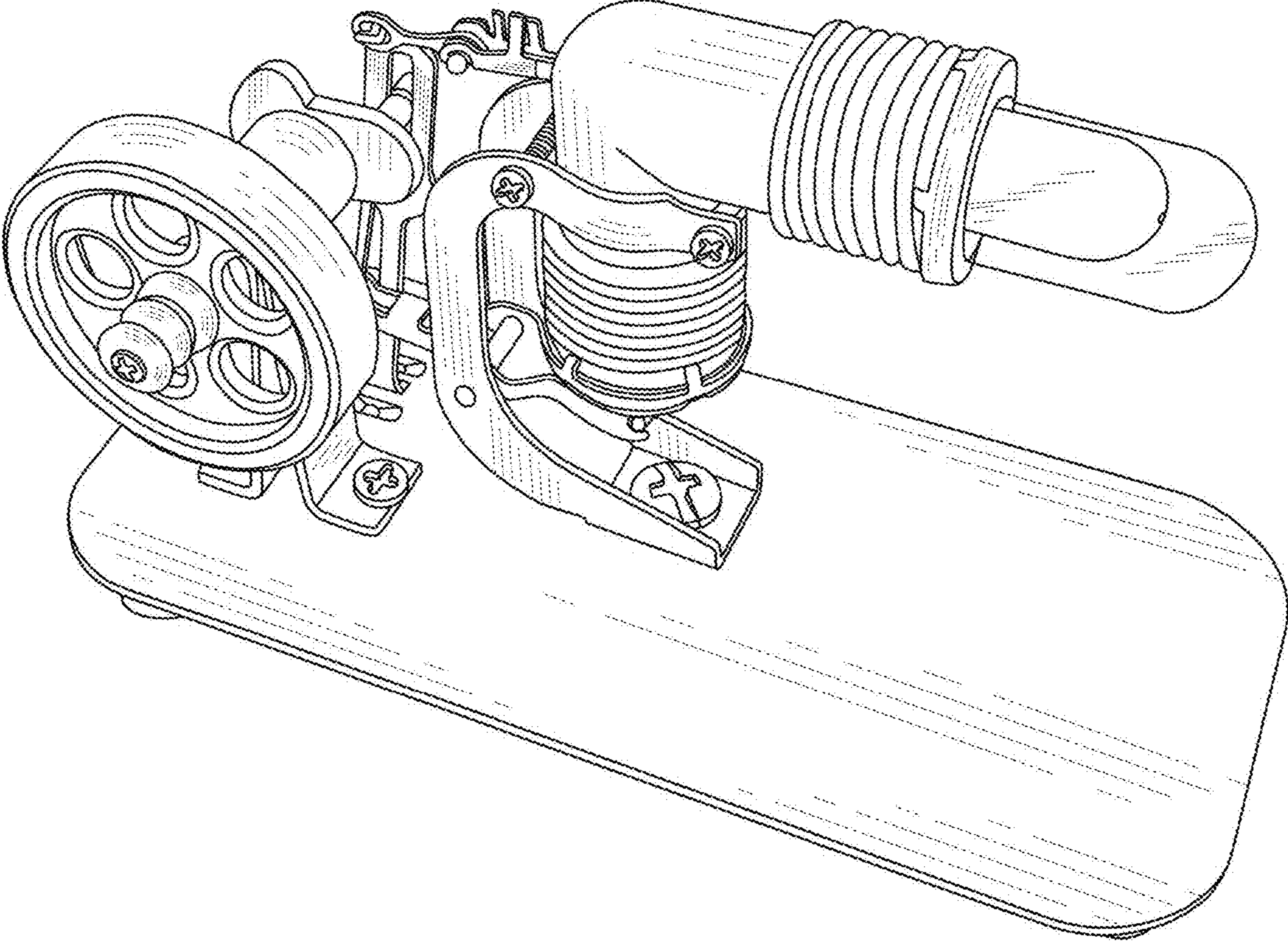


FIG.1

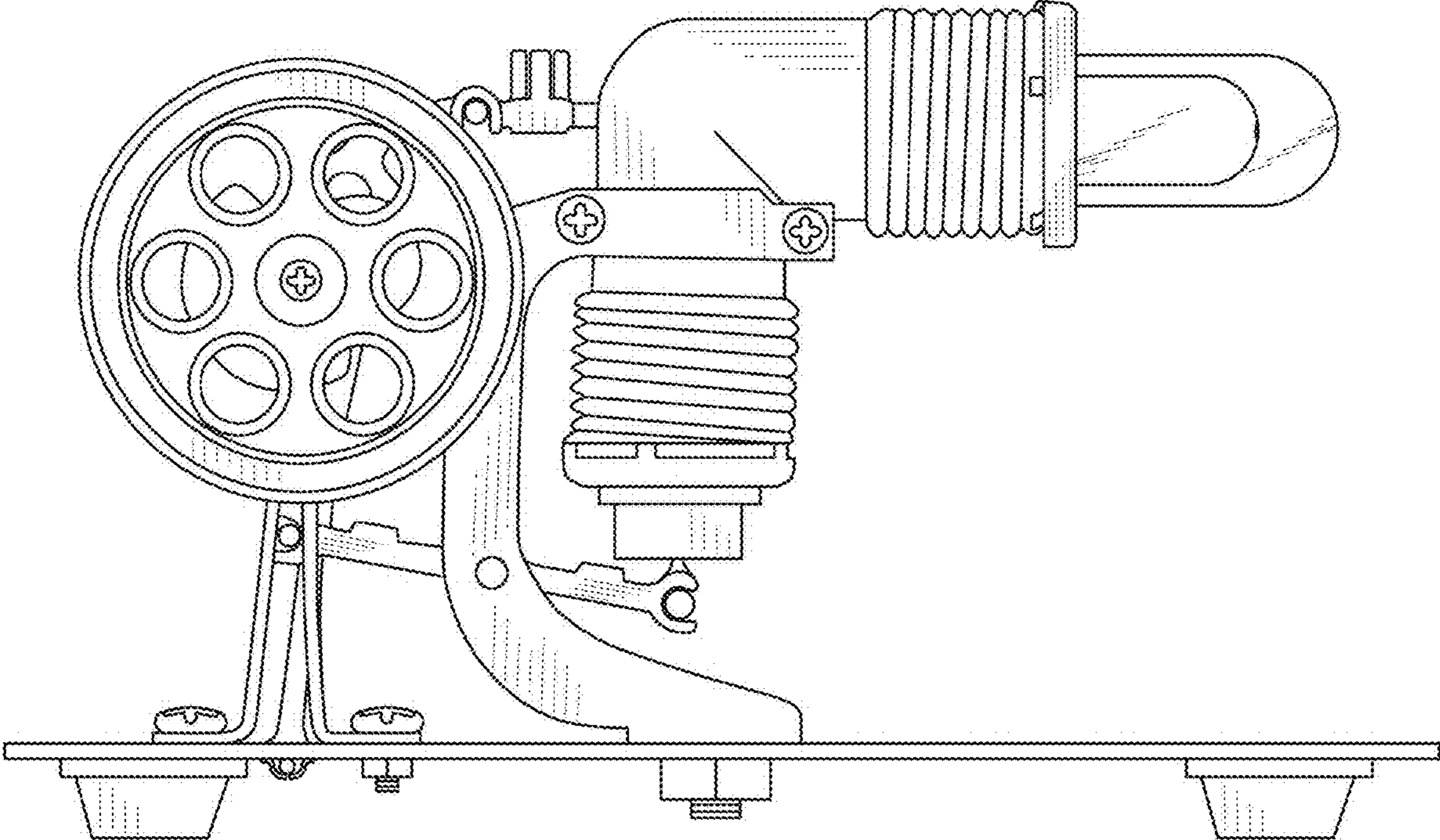


FIG.2

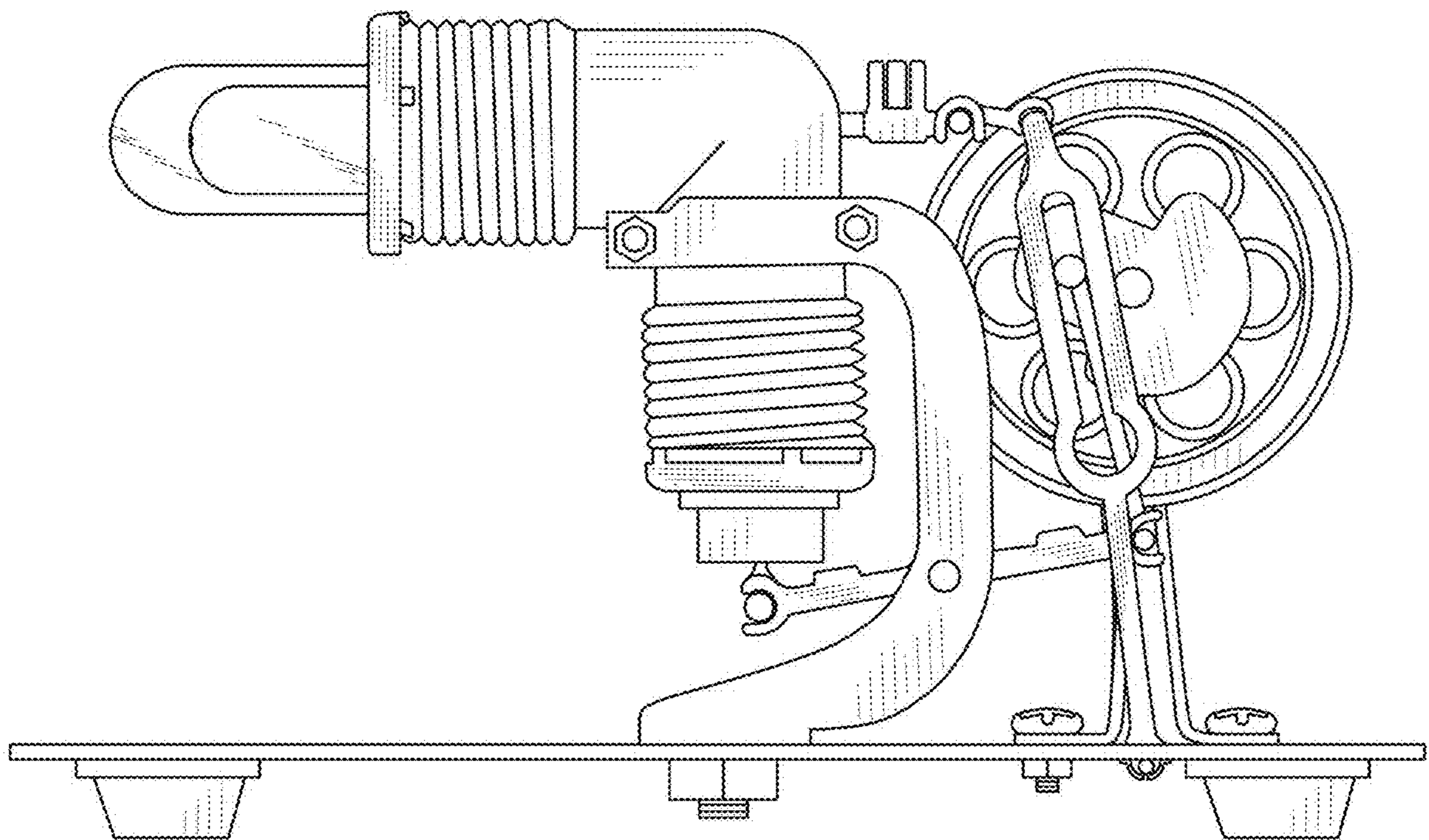


FIG.3

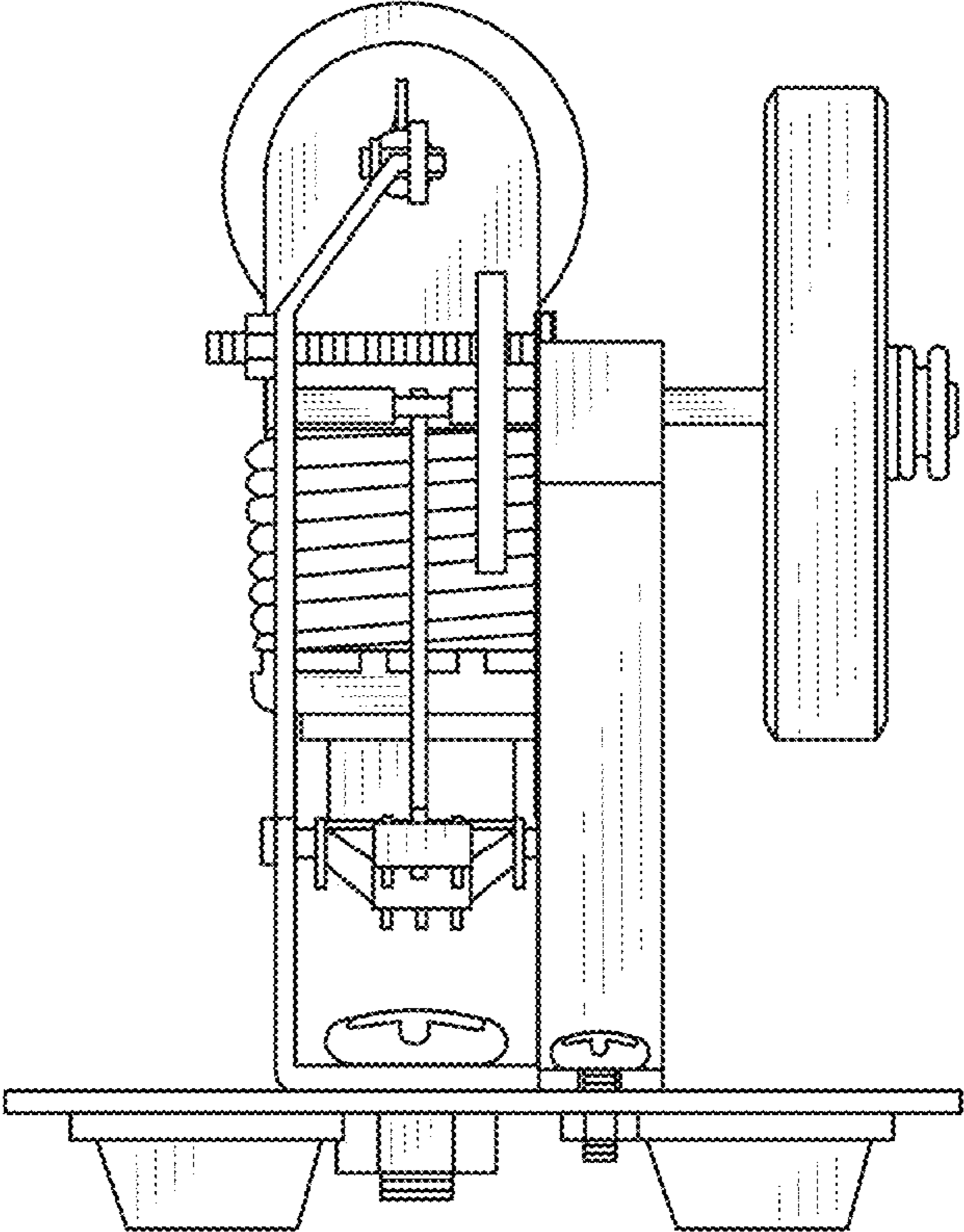


FIG.4

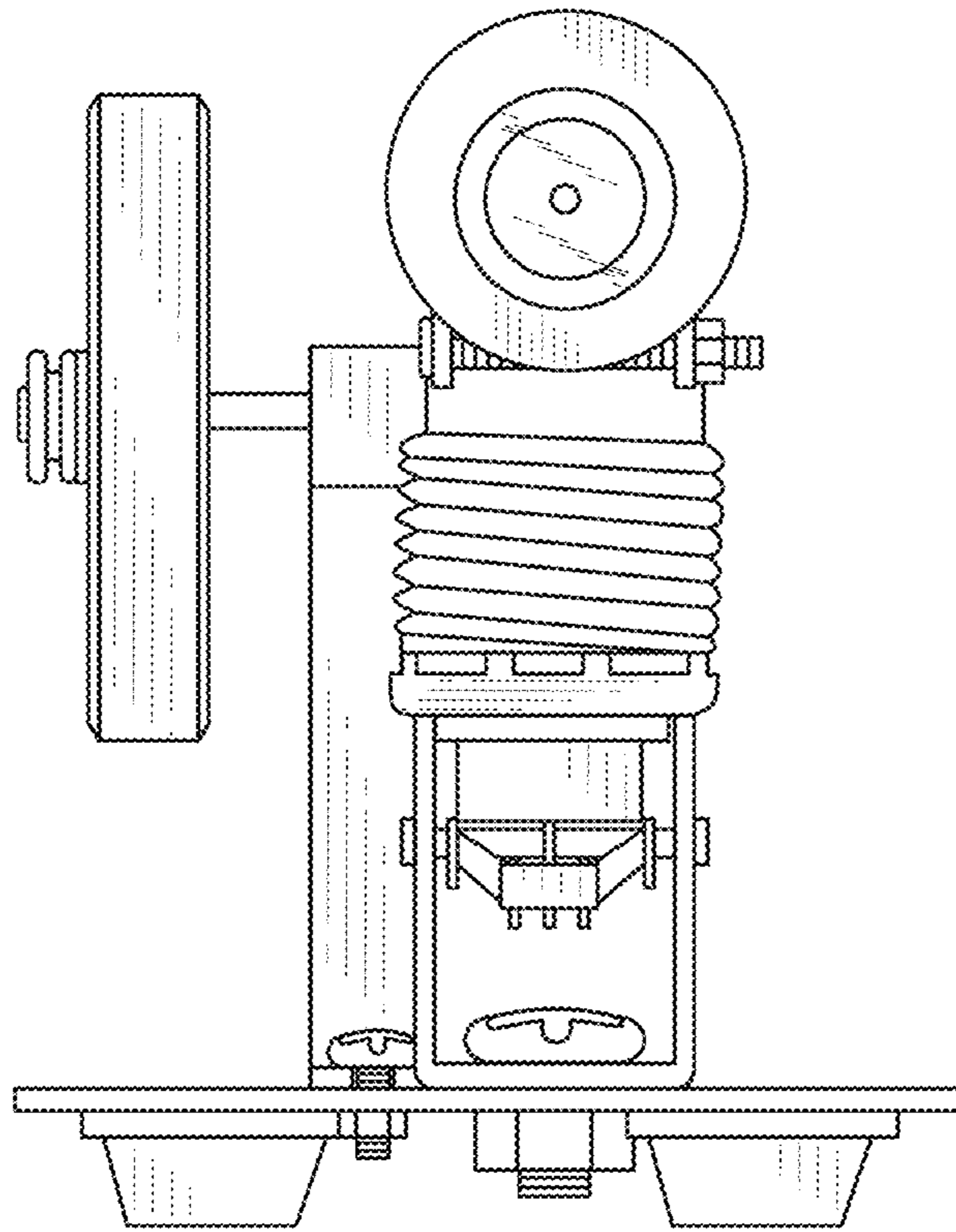


FIG.5

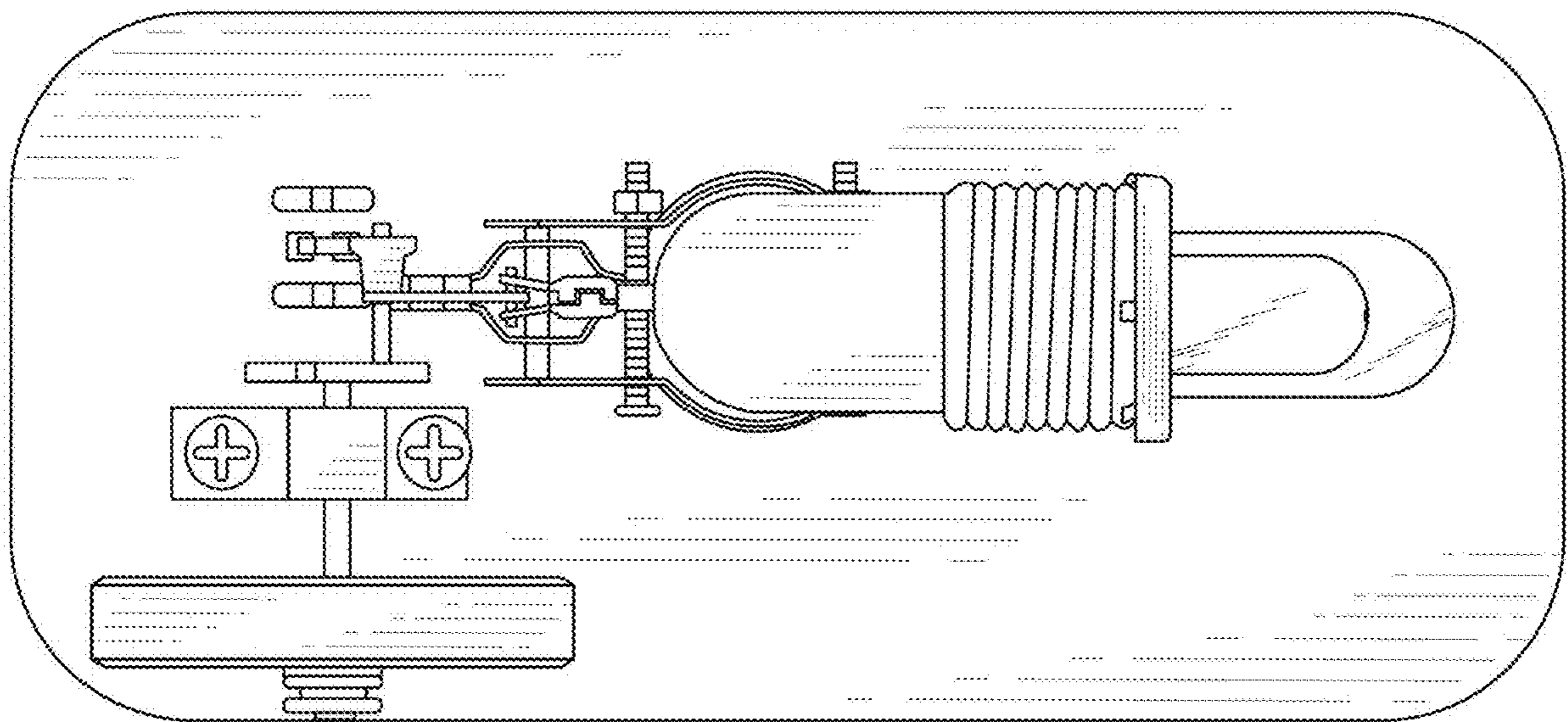


FIG.6

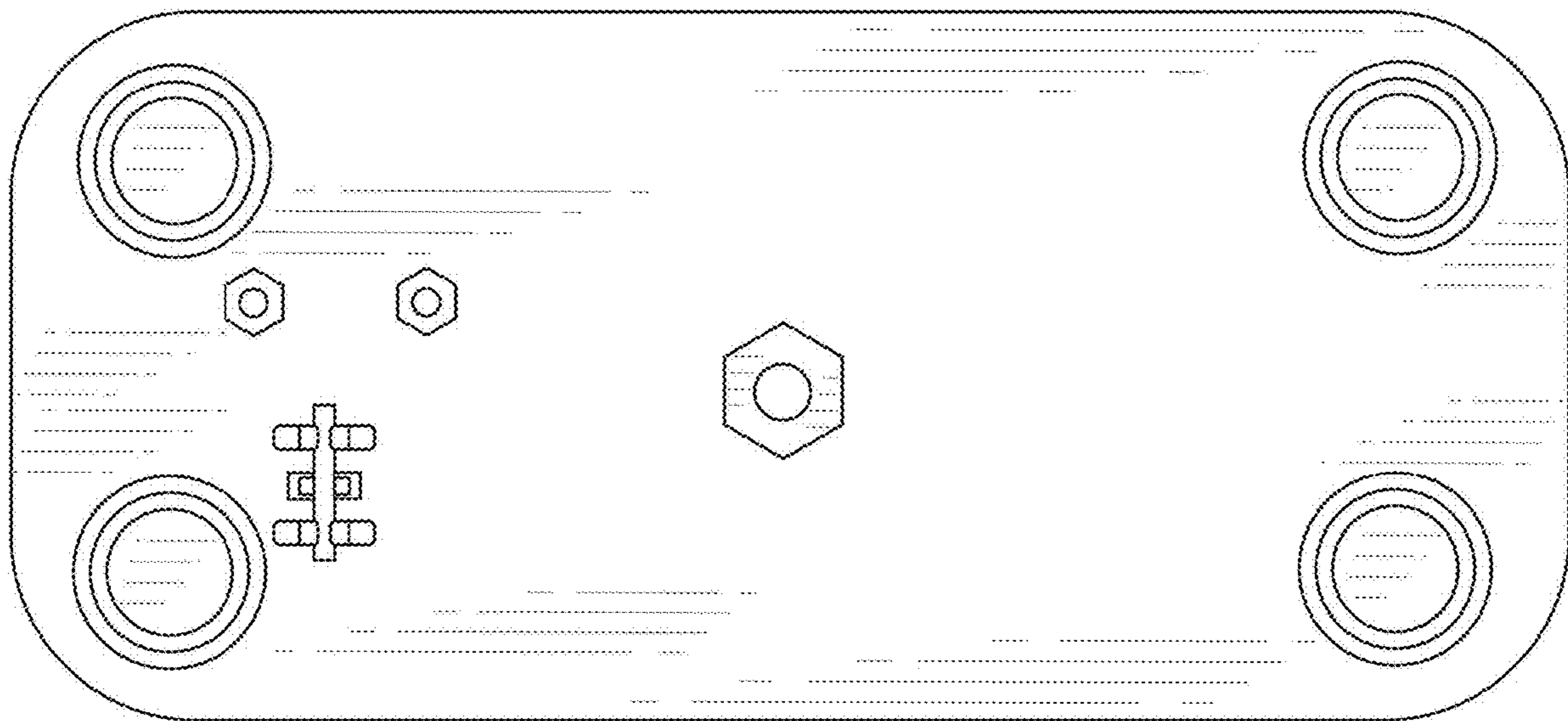


FIG. 7