



US00D906243S

(12) **United States Design Patent**
Oishi et al.

(10) **Patent No.:** **US D906,243 S**

(45) **Date of Patent:** **** Dec. 29, 2020**

(54) **MOTOR**

(71) Applicant: **EBARA CORPORATION**, Tokyo (JP)

(72) Inventors: **Yohei Oishi**, Tokyo (JP); **Takahide Ozawa**, Tokyo (JP); **Kazuma Nishimura**, Tokyo (JP); **Takayuki Kuronuma**, Tokyo (JP); **Akihiro Ochiai**, Tokyo (JP); **Ryoko Ikegami**, Tokyo (JP); **Prateek Ninave**, Tokyo (JP); **Naoki Katayama**, Tokyo (JP)

(73) Assignee: **EBARA CORPORATION**, Tokyo (JP)

(**) Term: **15 Years**

(21) Appl. No.: **29/699,710**

(22) Filed: **Jul. 29, 2019**

(30) **Foreign Application Priority Data**

Jan. 31, 2019 (JP) 2019-001913

(51) **LOC (12) Cl.** **13-01**

(52) **U.S. Cl.**
USPC **D13/112**

(58) **Field of Classification Search**
USPC D13/103, 107, 108, 110, 112, 113, 114,
D13/117, 118, 119, 122, 184, 199;
D15/1, 5
CPC H02K 11/00; H02K 15/16; H02K 11/0094
See application file for complete search history.

(56) **References Cited**

U.S. PATENT DOCUMENTS

D236,985 S * 9/1975 Baumann D13/114
4,244,098 A * 1/1981 Barcus F28F 1/20
165/183
5,630,461 A * 5/1997 CoChimin B22C 9/046
164/34

D563,870 S * 3/2008 Naghshineh D13/114
D593,945 S * 6/2009 Lannoch D13/112
D618,170 S * 6/2010 Miller D13/114
D649,935 S * 12/2011 Shioiri D13/112
D686,571 S * 7/2013 Hoyle D13/114
D716,227 S * 10/2014 Lau D13/112
9,160,207 B2 * 10/2015 Zeng H02K 5/24
D795,808 S * 8/2017 Mayor D13/122
D801,925 S * 11/2017 Andersson D13/112
2016/0056682 A1 * 2/2016 Cocks H02K 9/06
310/59

OTHER PUBLICATIONS

“Electric Motor Housing”. Found online Sep. 16, 2020 at ecvv.com. Reference dated Dec. 16, 2015. Retrieved from https://tineye.com/search/4c2fba83a59f49f2fe67934ba522d109bcd7985c?sort=crawl_date&order=asc&page=1. (Year: 2015).*

(Continued)

Primary Examiner — Kendra Leslie Hamilton

Assistant Examiner — Amanda Christensen

(74) *Attorney, Agent, or Firm* — Pearne & Gordon LLP

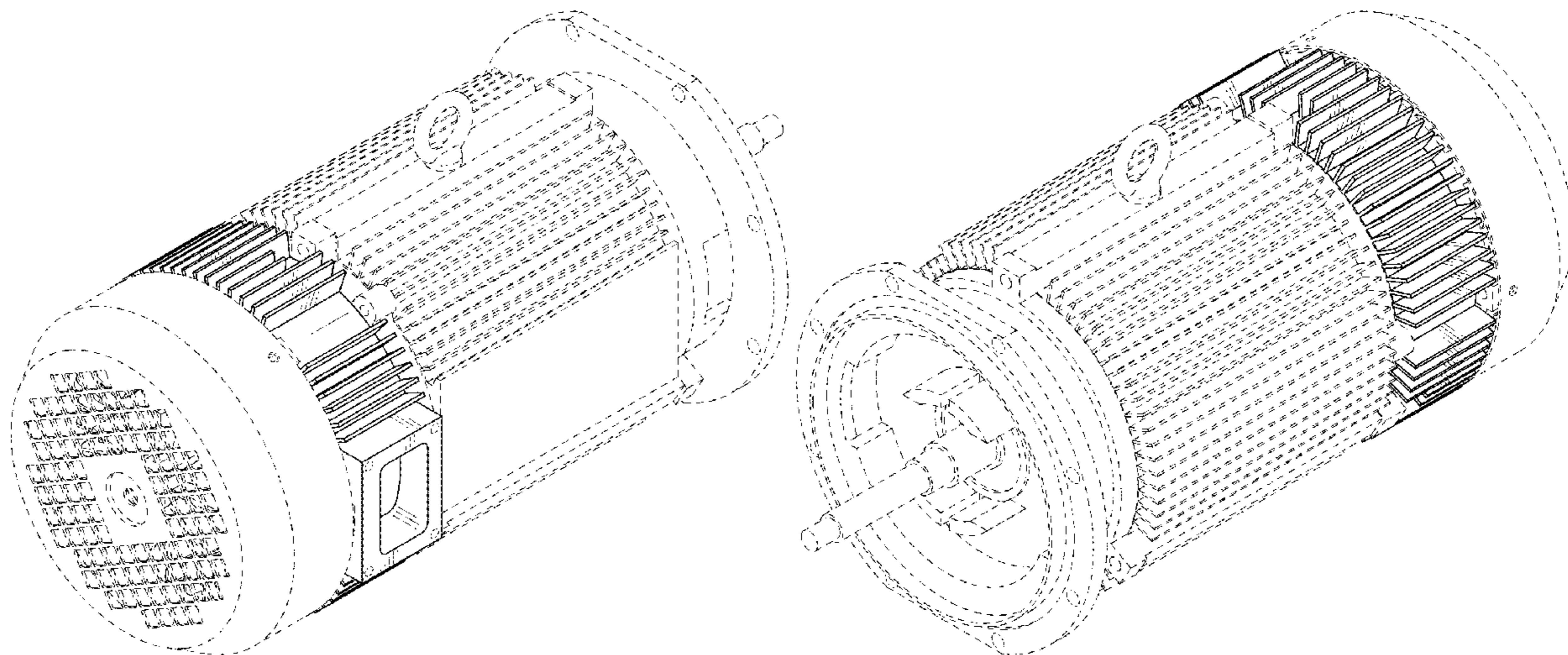
(57) **CLAIM**

The ornamental design for a motor, as shown and described.

DESCRIPTION

FIG. 1 is a front perspective view of a motor;
FIG. 2 is a rear perspective view thereof;
FIG. 3 is a front elevation view thereof;
FIG. 4 is a rear elevation view thereof;
FIG. 5 is a left side elevation view thereof;
FIG. 6 is a right side elevation view thereof;
FIG. 7 is a top plan view thereof; and,
FIG. 8 is a bottom plan view thereof.
The broken lines in the drawings depict portions of the motor that form no part of the claimed design.

1 Claim, 8 Drawing Sheets



(56)

References Cited

OTHER PUBLICATIONS

“Elektrim-Full-Line-Overview”. Found online Sep. 10, 2020 at elektrimmotors.com. Reference dated Jul. 2017. Retrieved from <https://elektrimmotors.com/media/Elektrim-Full-Line-Overview-4pg.pdf>. (Year: 2017).*

“Electric Motor Housing”. Found online Sep. 28, 2020 at mdiecasting.com. Reference dated Nov. 6, 2009. Retrieved from https://tineye.com/search/842d90ca3944de806c917aa28a45425d3d956214?sort=crawl_date&order=asc&page=1. (Year: 2009).*

* cited by examiner

FIG. 1

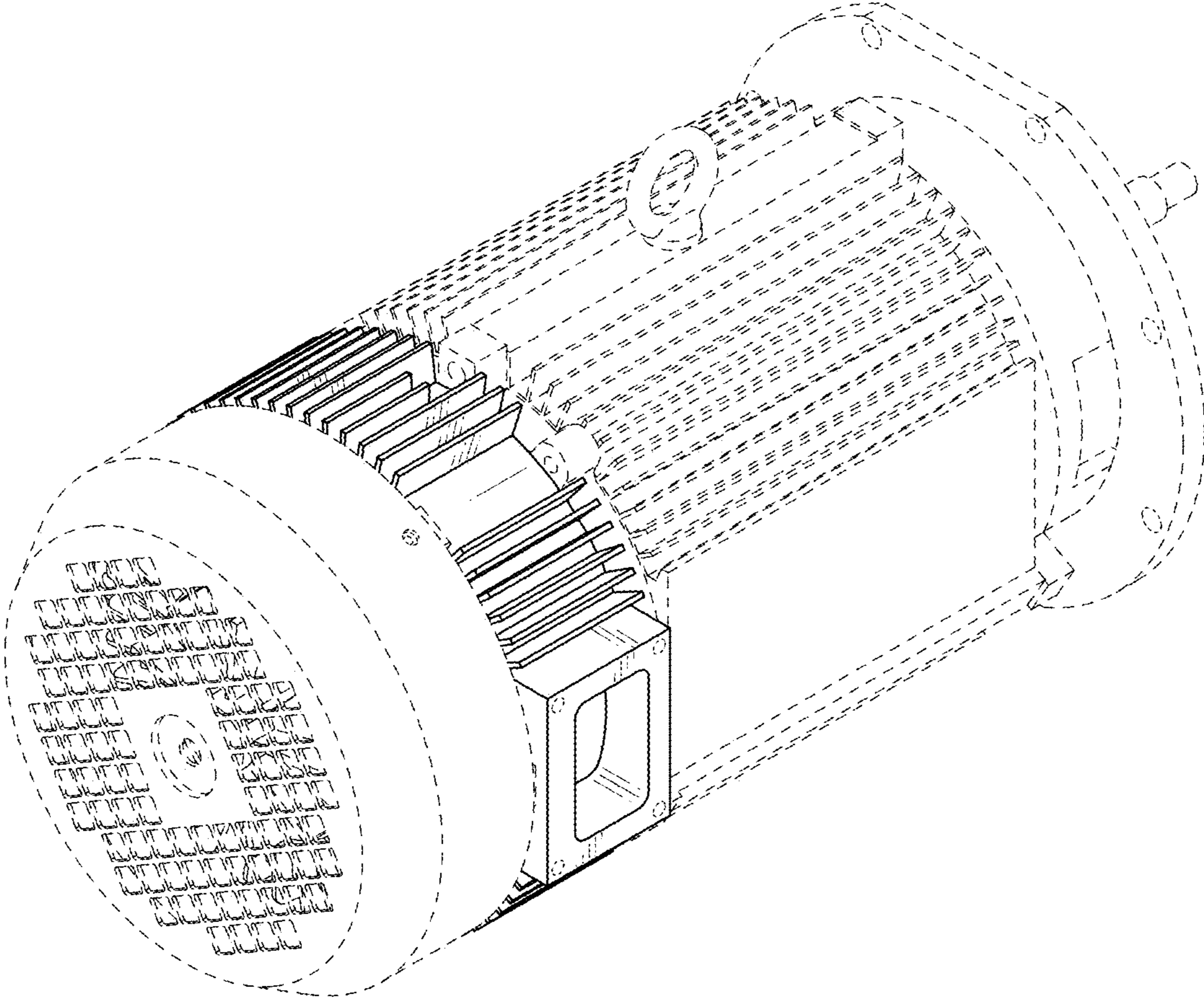


FIG. 2

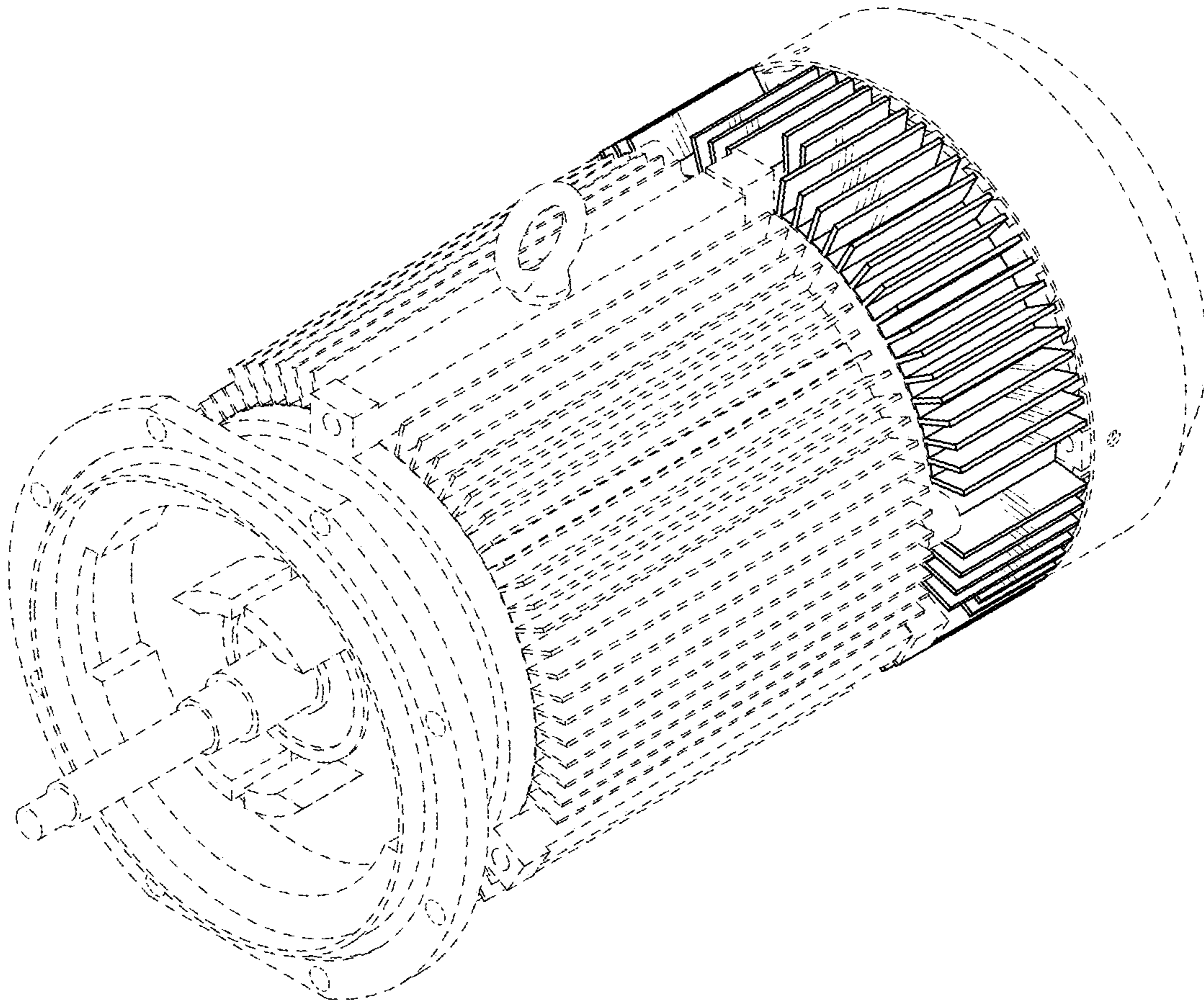


FIG. 3

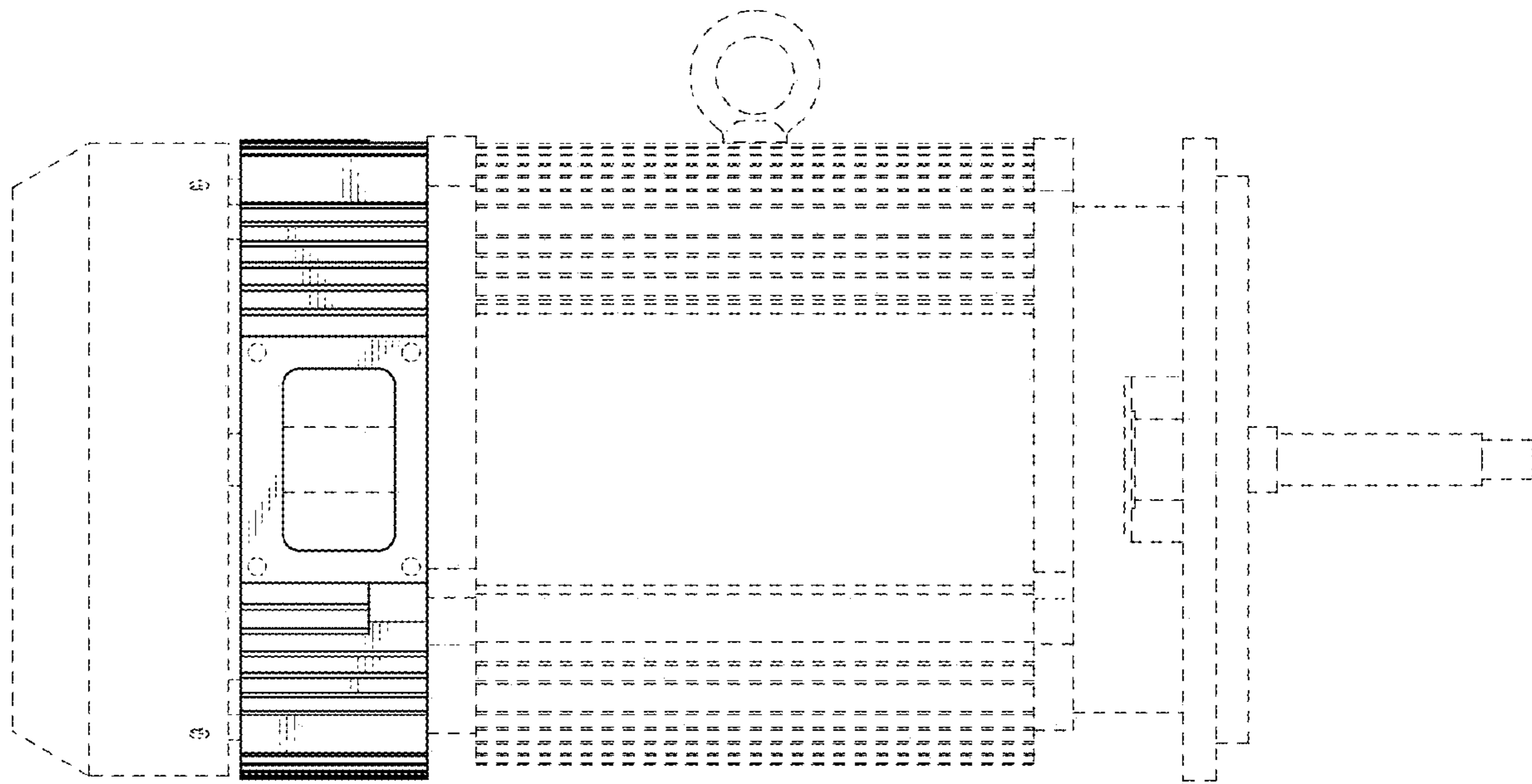


FIG. 4

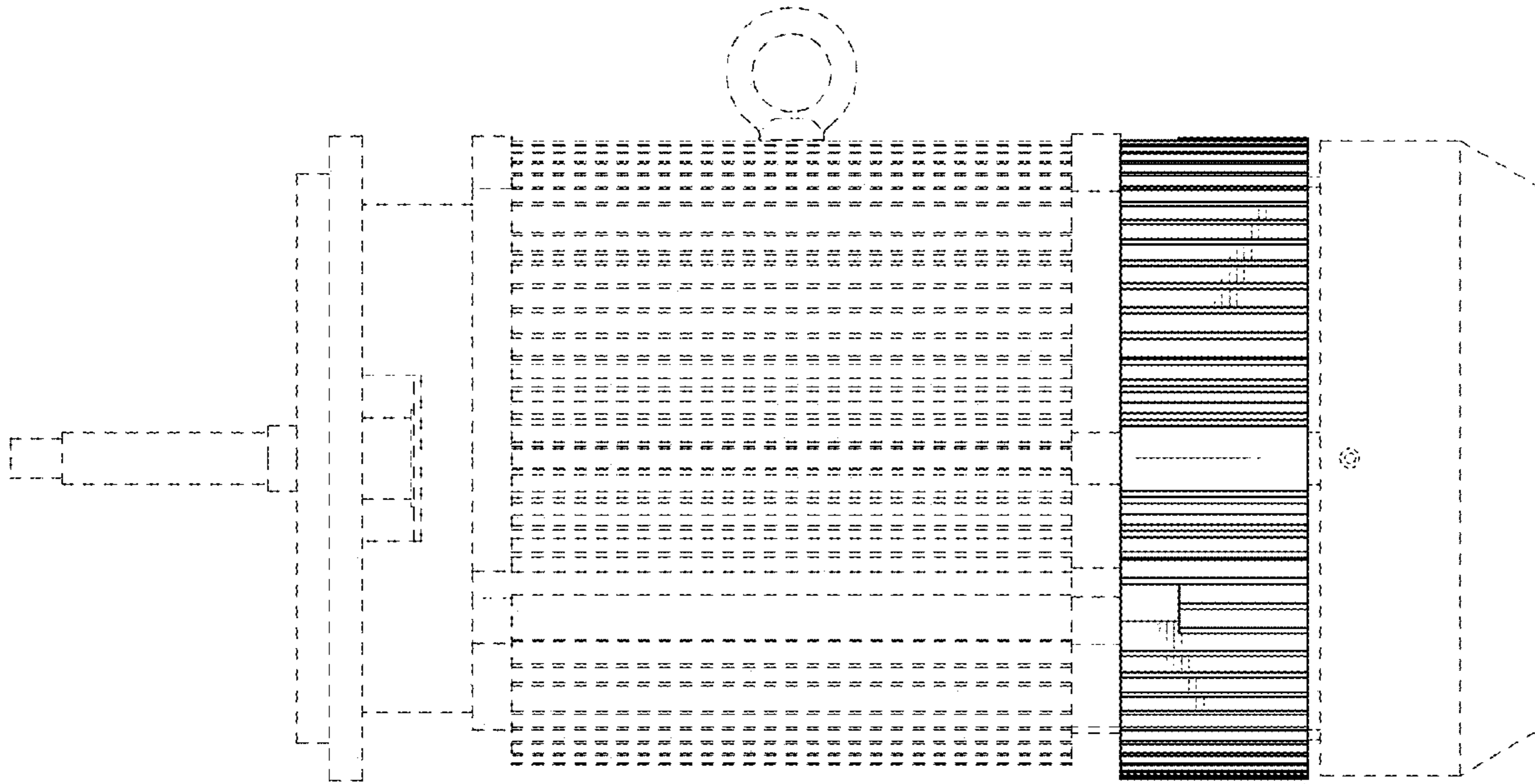


FIG. 5

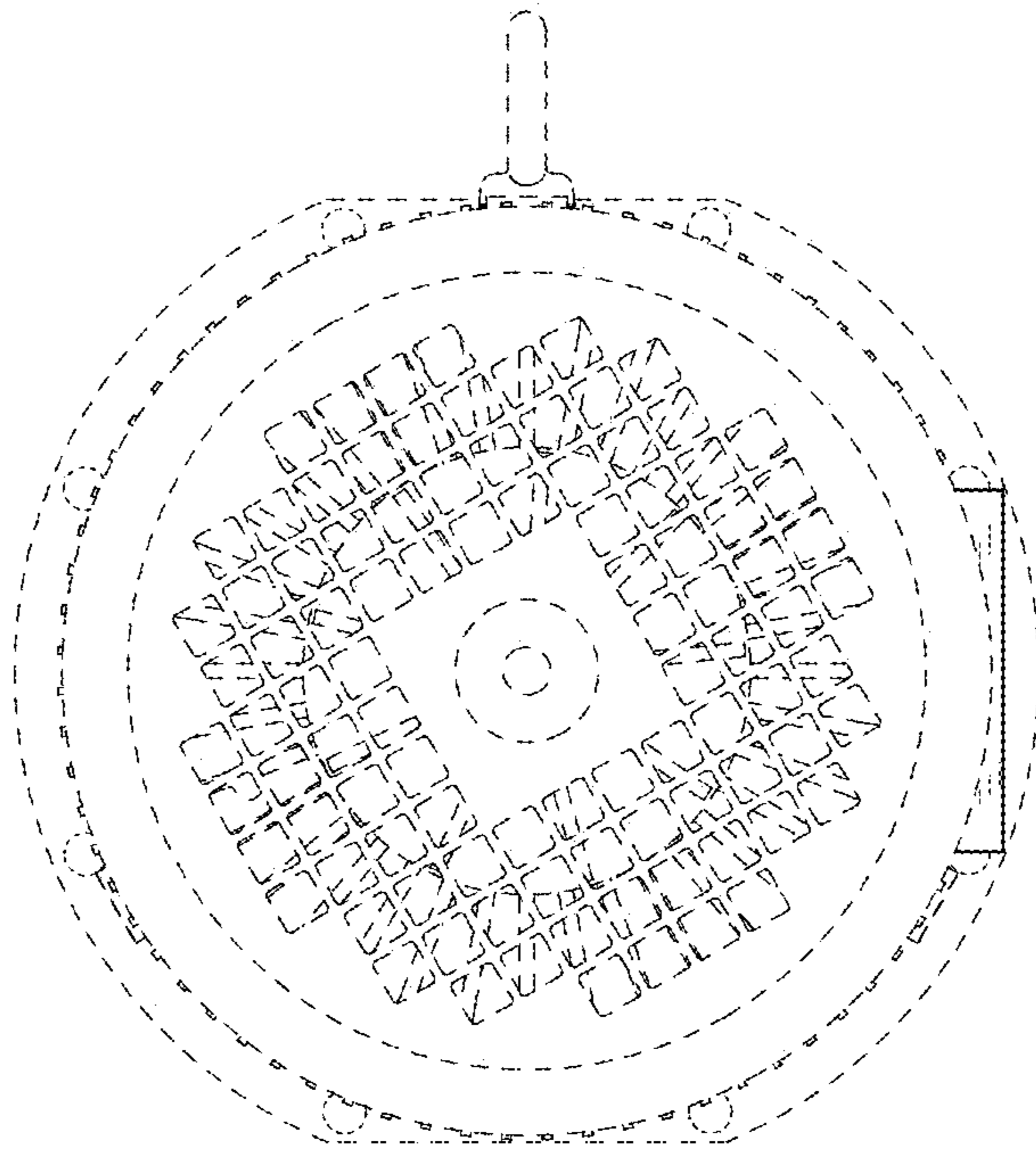


FIG. 6

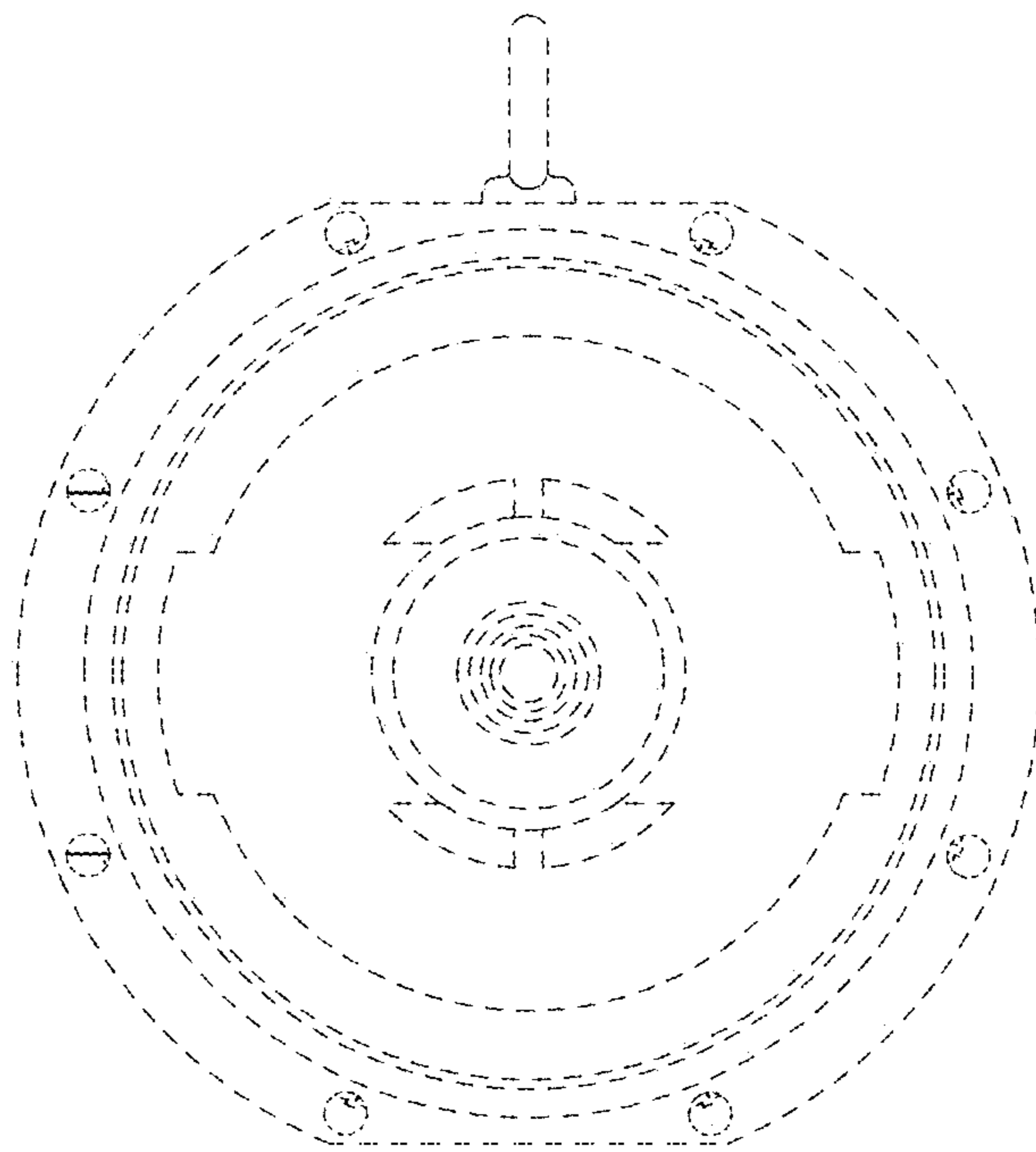


FIG. 7

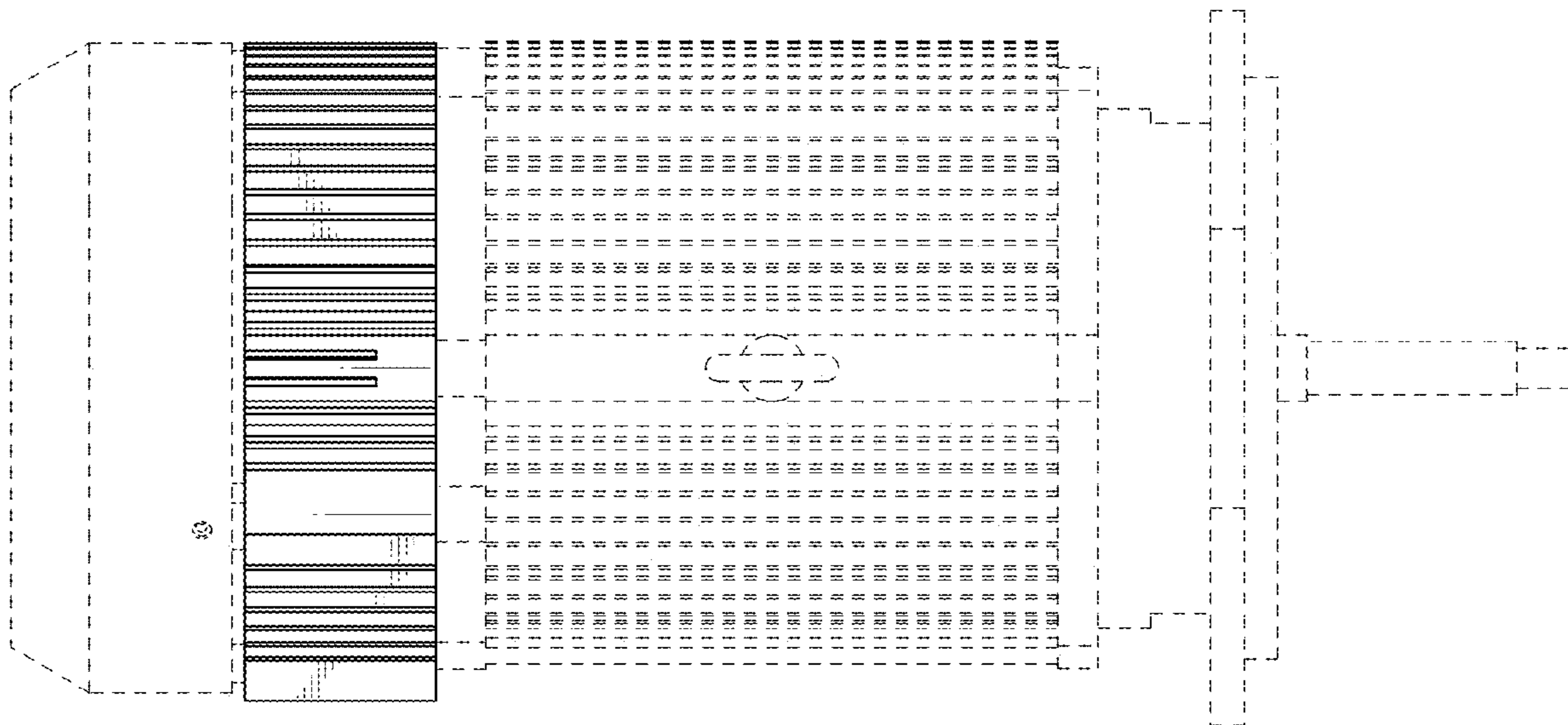


FIG. 8

