



US00D906242S

(12) **United States Design Patent**
Wu et al.

(10) **Patent No.:** **US D906,242 S**

(45) **Date of Patent:** **** Dec. 29, 2020**

(54) **HOVERBOARD WHEEL HUB MOTOR**

(71) Applicant: **Zhejiang Taotao Vehicles Co., Ltd.**,
Lishui (CN)

(72) Inventors: **Jianbing Wu**, Chibi (CN); **Haibo Zhu**,
Yancheng (CN); **Matao Cao**, Yongkang
(CN)

(73) Assignee: **Zhejiang Taotao Vehicles Co., Ltd.**,
Lishui (CN)

(**) Term: **15 Years**

(21) Appl. No.: **29/690,454**

(22) Filed: **May 8, 2019**

(30) **Foreign Application Priority Data**

Dec. 18, 2018 (CN) 2018 3 0736089

(51) **LOC (12) Cl.** **13-01**

(52) **U.S. Cl.**
USPC **D13/112**

(58) **Field of Classification Search**
USPC D13/112, 101, 113, 114, 118, 122, 173,
D13/199; D15/5, 148, 149; D12/1;
D21/760

CPC H03M 1/22; H03M 1/28; H03M 1/287;
H01H 25/008; H01H 19/005; H01H
19/11; G01D 5/34; G01D 5/252; G01D
5/34707; G01D 11/24; B62K 3/007;
B62K 11/007; B60W 40/10; B60W 40/13

See application file for complete search history.

(56) **References Cited**

U.S. PATENT DOCUMENTS

D238,177 S * 12/1975 Ohishi D13/112
D301,574 S * 6/1989 Riggs D13/112

D382,573 S * 8/1997 Avitan D15/149
D397,992 S * 9/1998 Shimomura D13/112
D409,564 S * 5/1999 Koshida D13/112
D540,254 S * 4/2007 Wolf D13/112
D551,167 S * 9/2007 Kubota D13/112
D740,867 S * 10/2015 Barta D15/148
D790,467 S * 6/2017 Marth D13/112
9,896,146 B2 * 2/2018 Lu B62K 11/007
2013/0269305 A1 * 10/2013 Wang A01D 34/78
56/14.7

* cited by examiner

Primary Examiner — Derrick E Holland

(74) *Attorney, Agent, or Firm* — Bayramoglu Law Offices
LLC

(57) **CLAIM**

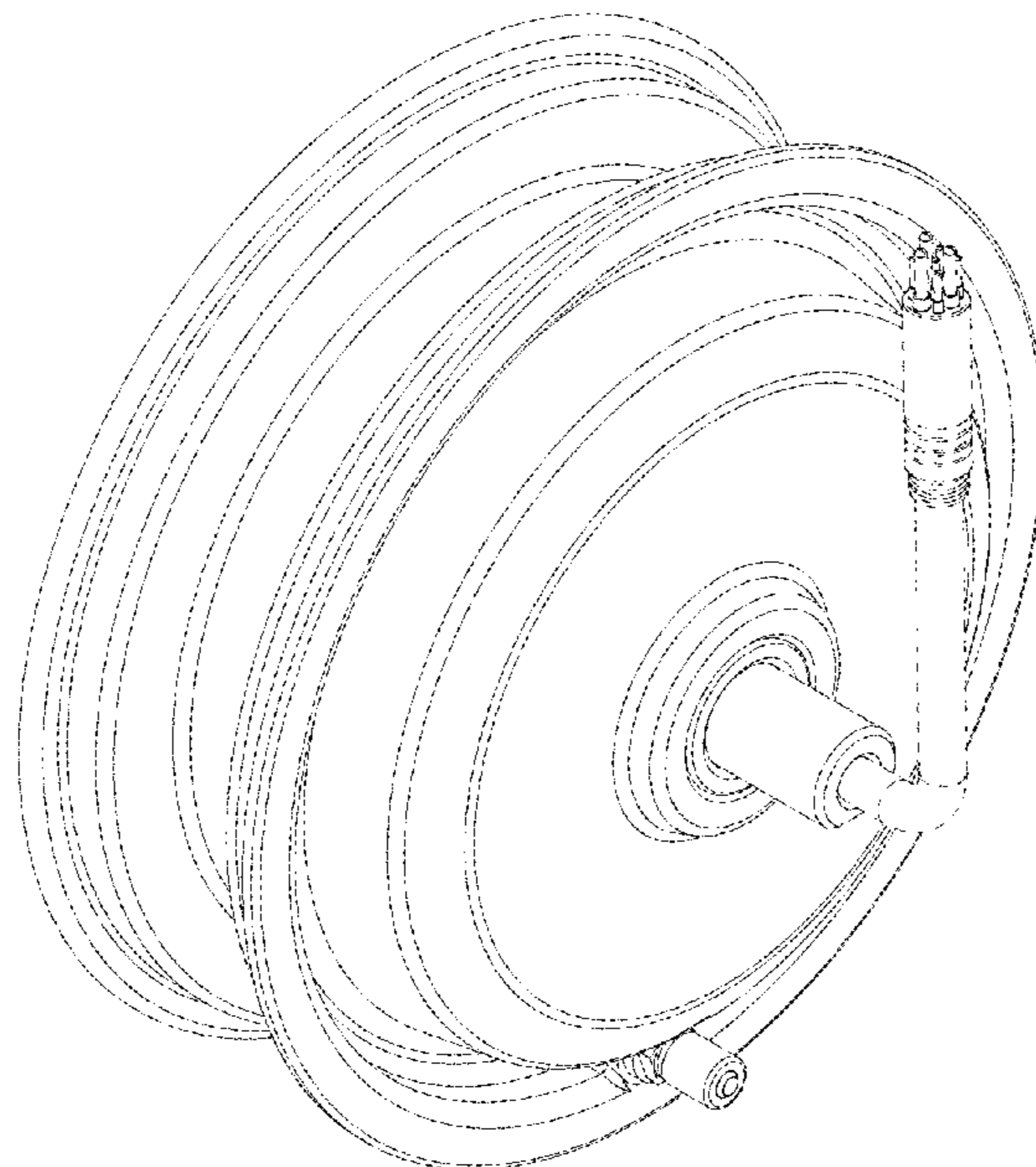
The ornamental design for a hoverboard wheel hub motor, as
shown and described.

DESCRIPTION

FIG. 1 is a perspective view of a hoverboard wheel hub
motor according to our new design;
FIG. 2 is a front elevation view thereof;
FIG. 3 is a rear elevation view thereof;
FIG. 4 is a left side elevation view thereof;
FIG. 5 is a right side elevation view thereof;
FIG. 6 is a top plan view thereof; and,
FIG. 7 is a bottom plan view thereof.

The broken lines shown illustrate the portions of the hov-
erboard wheel hub motor that forms no part of the claimed
design.

1 Claim, 7 Drawing Sheets



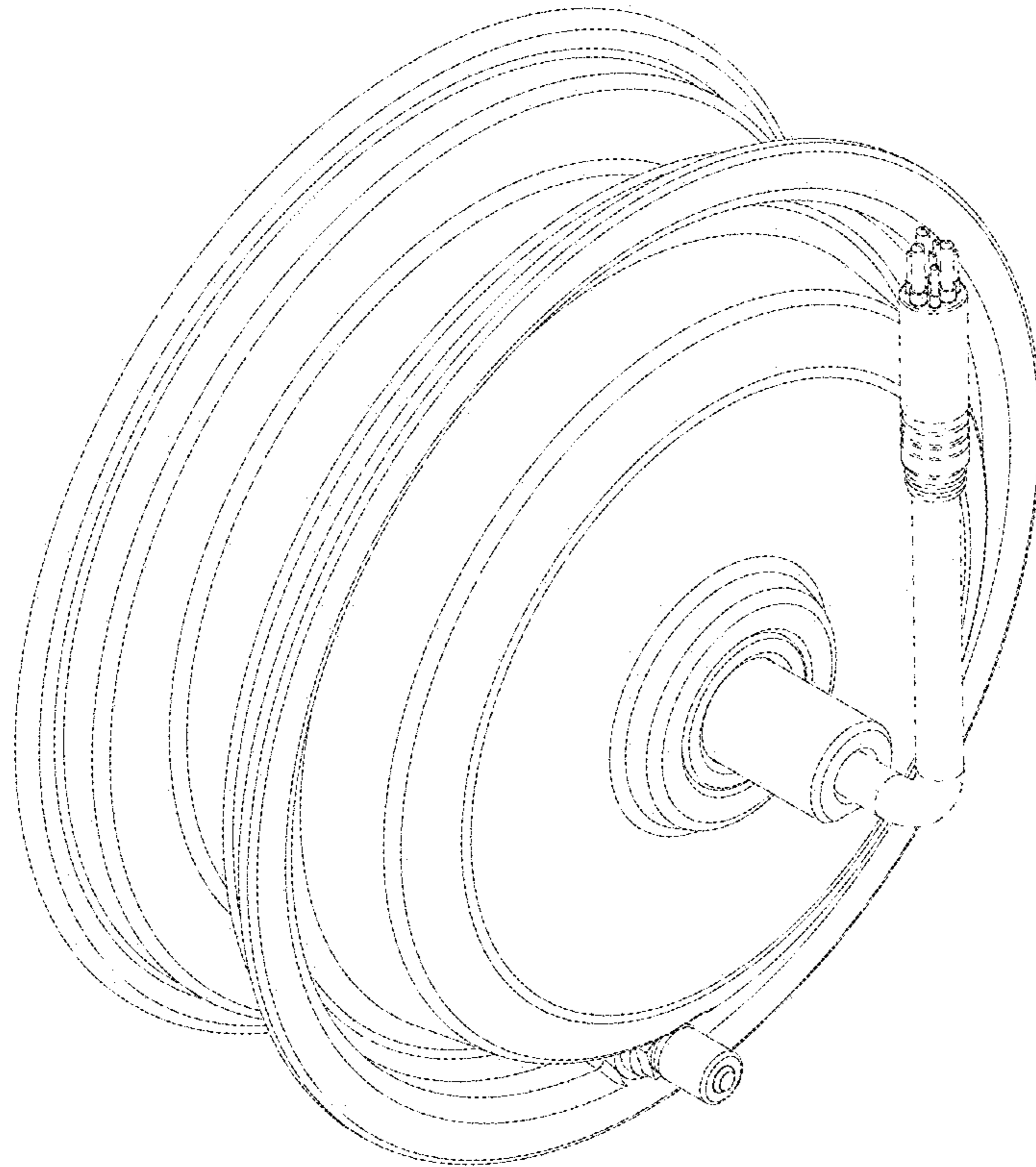


FIG. 1

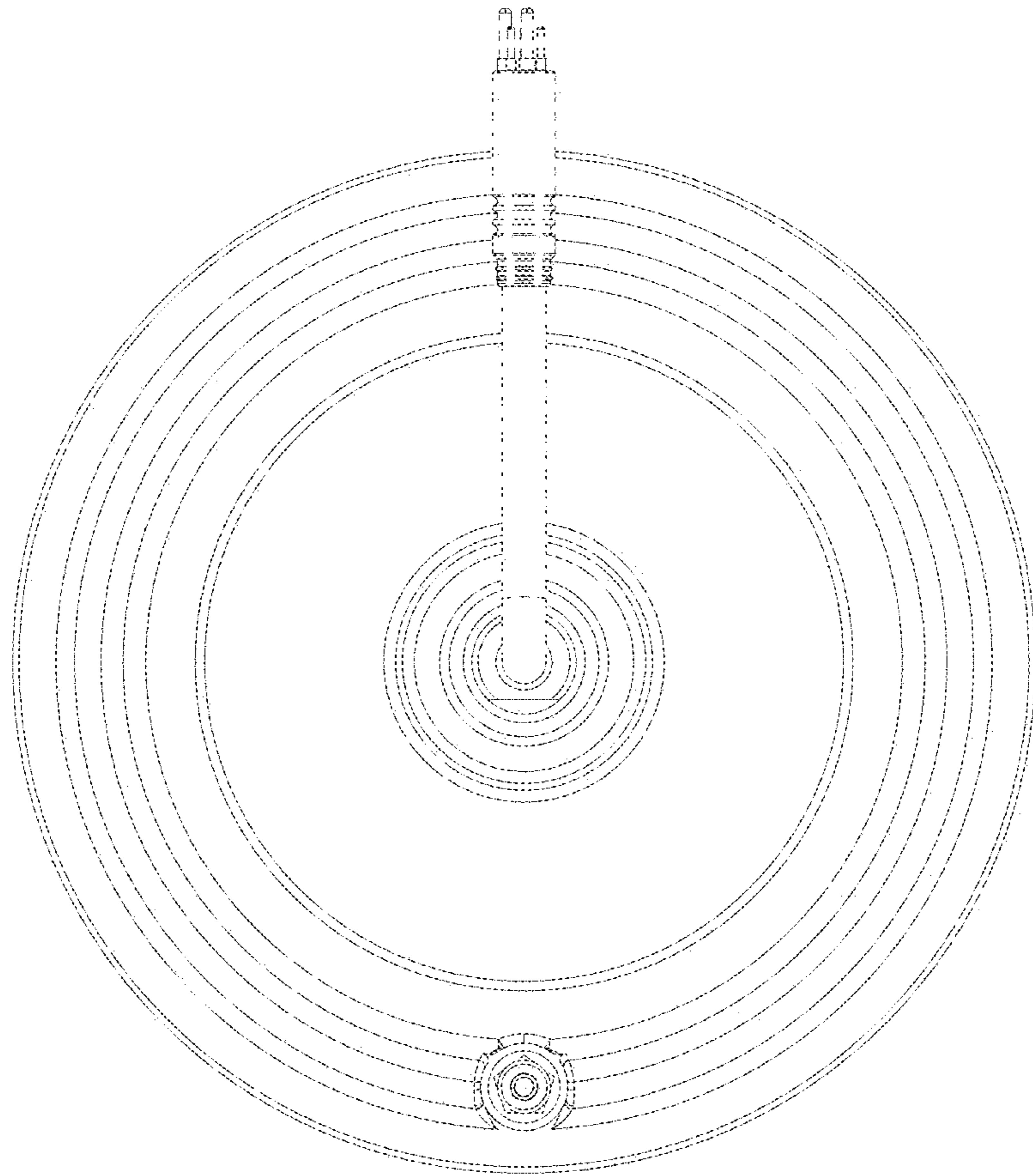


FIG. 2

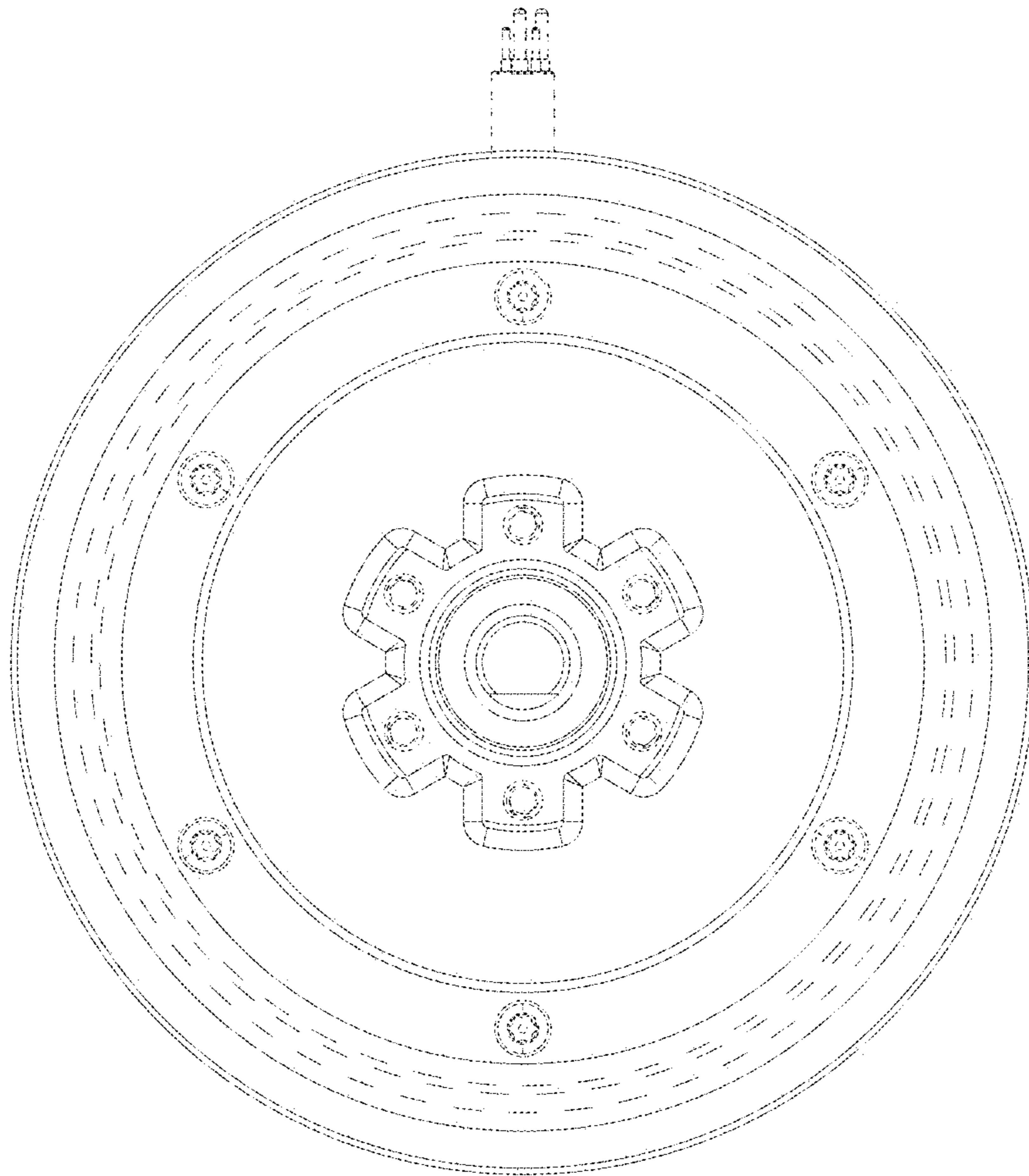


FIG. 3

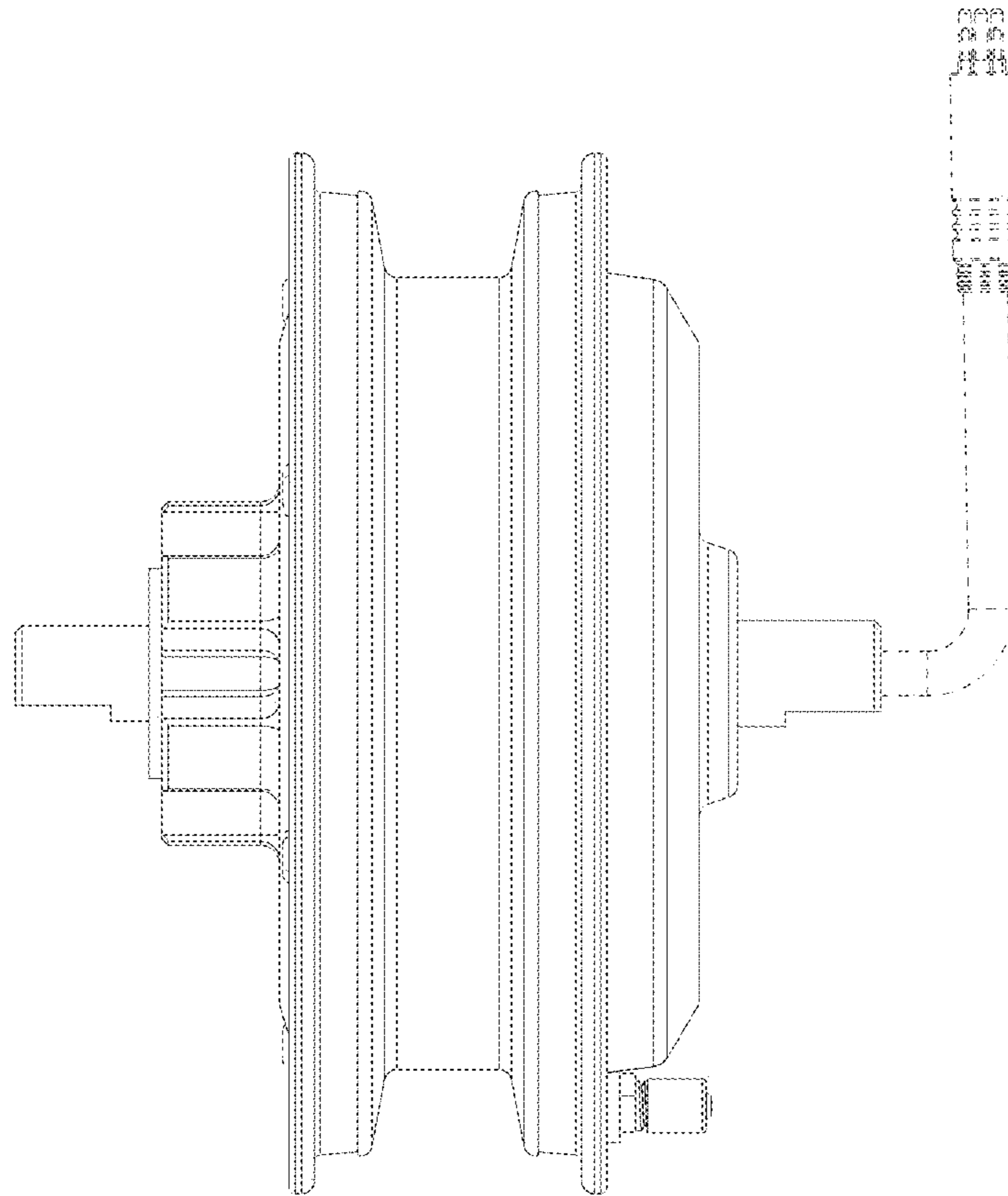


FIG. 4

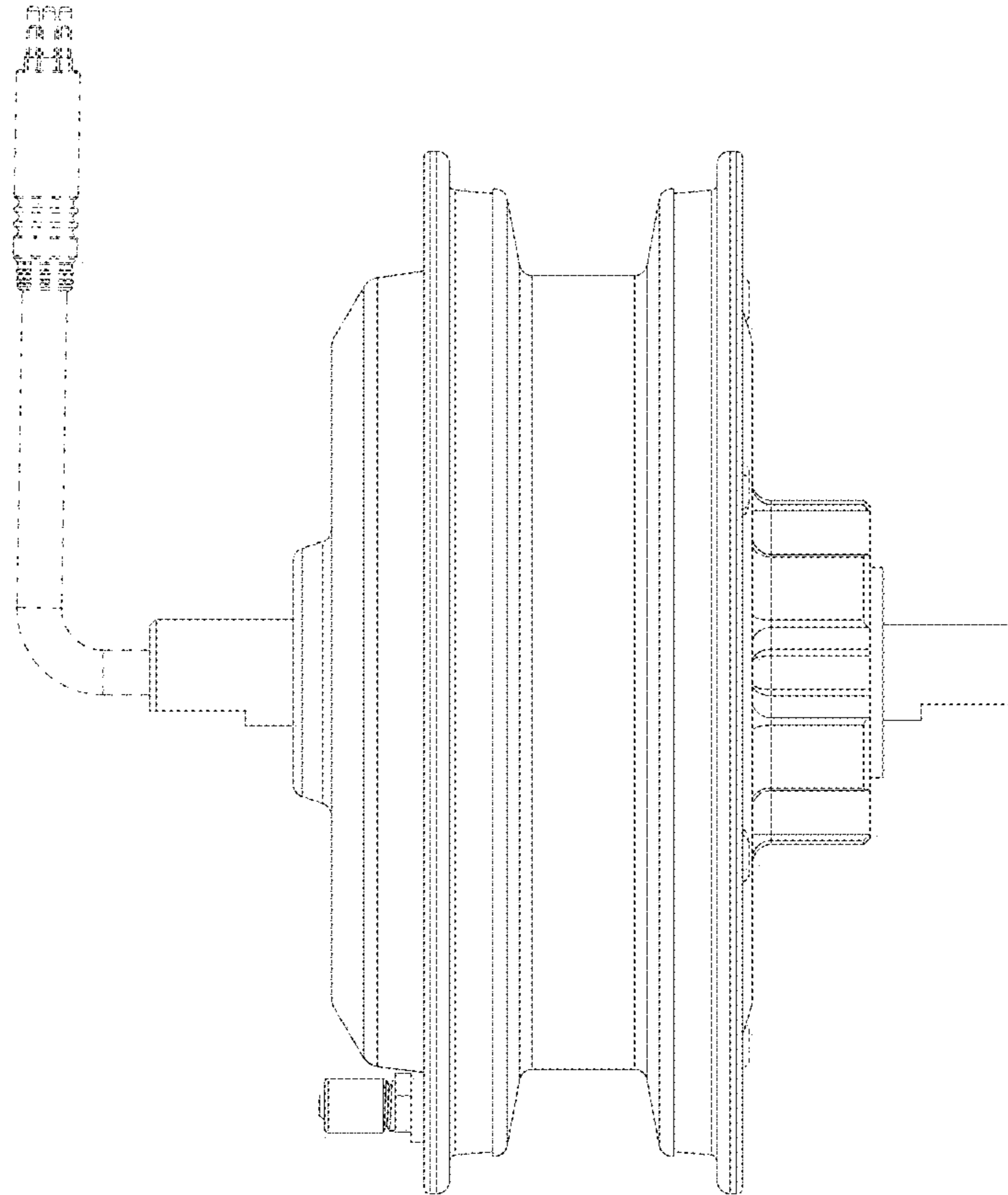


FIG. 5

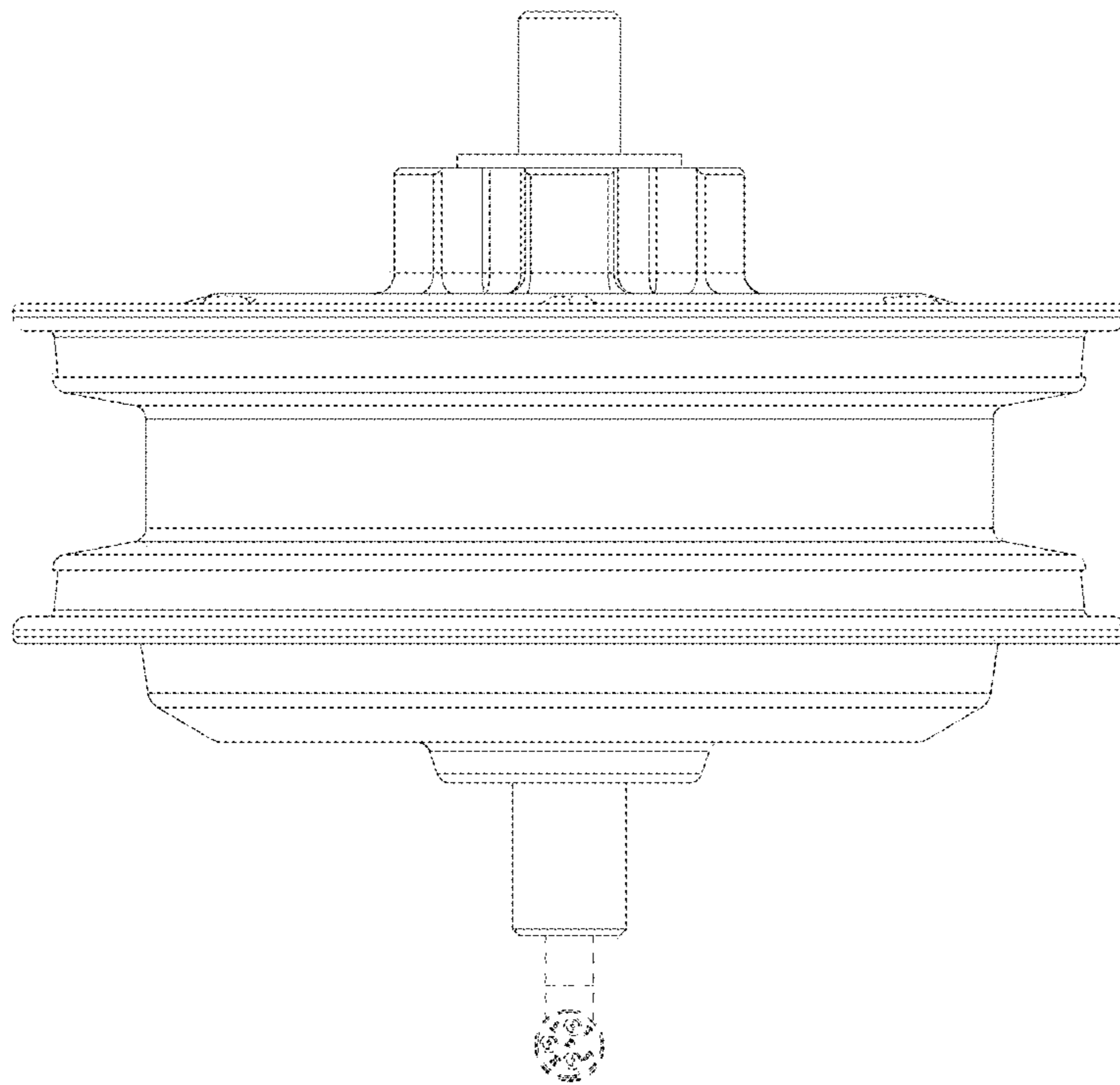


FIG. 6

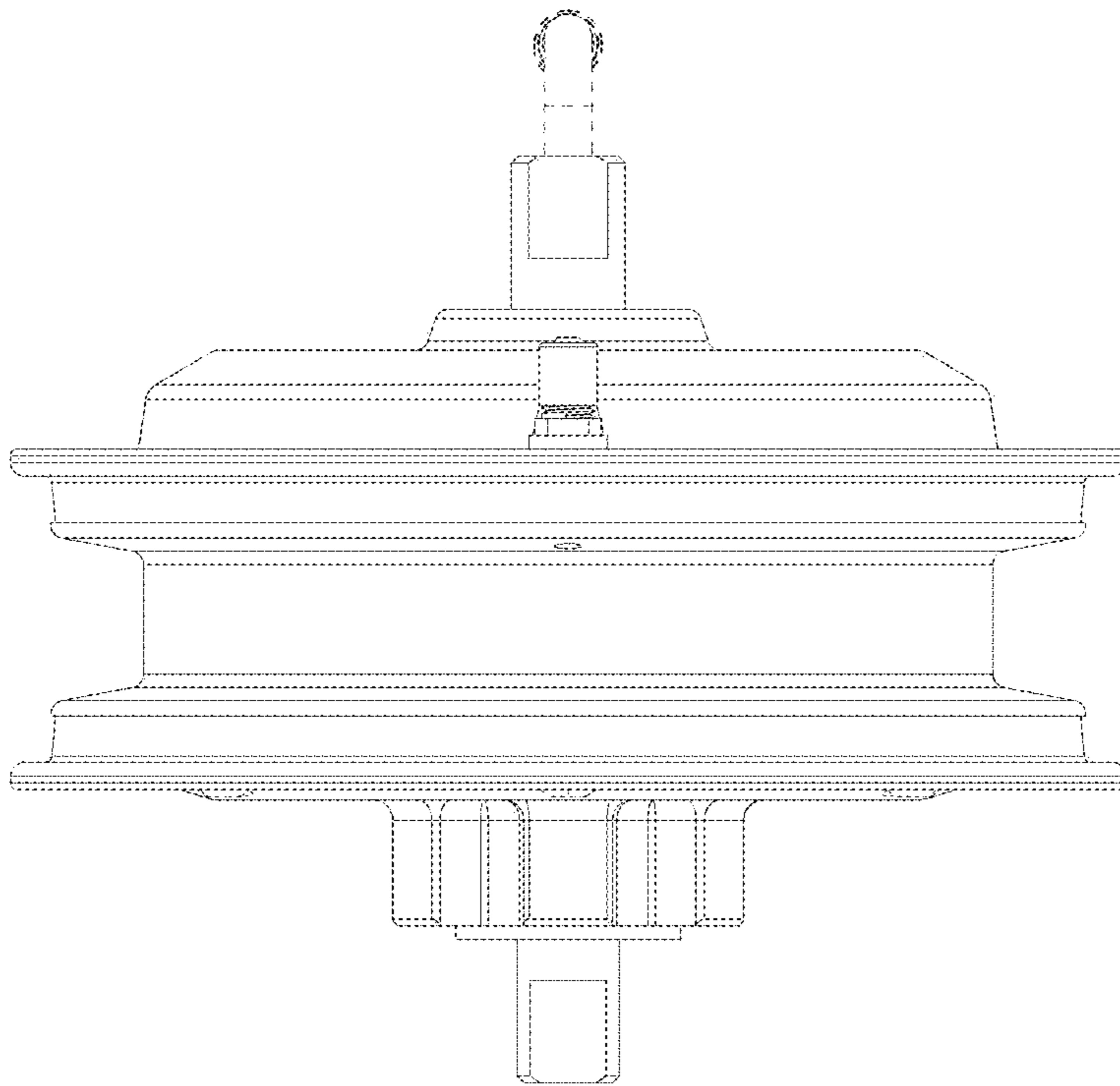


FIG. 7