



US00D906241S

(12) **United States Design Patent** (10) **Patent No.:** **US D906,241 S**
Franceschini (45) **Date of Patent:** **** Dec. 29, 2020**

(54) **SERVOMOTOR**

(71) Applicant: **MINI MOTOR—S.R.L.**, Bagnolo in Piano (IT)

(72) Inventor: **Andrea Franceschini**, Correggio (IT)

(73) Assignee: **MINI MOTOR SOCIETA' PER AZIONI**, Bagnolo in Piano (IT)

(**) Term: **15 Years**

(21) Appl. No.: **35/506,803**

(22) Filed: **Dec. 4, 2018**

(80) **Hague Agreement Data**
 Int. Filing Date: **Dec. 4, 2018**
 Int. Reg. No.: **DM/200412**
 Int. Reg. Date: **Dec. 4, 2018**
 Int. Reg. Pub. Date: **Jun. 7, 2019**

(51) **LOC (12) Cl.** **13-02**

(52) **U.S. Cl.**
 USPC **D13/110**

(58) **Field of Classification Search**
 USPC D13/110, 162, 112, 123, 164; D15/149
 CPC B41J 3/54; H01H 13/70; H01H 15/025;
 H01H 9/165
 See application file for complete search history.

(56) **References Cited**

U.S. PATENT DOCUMENTS

D140,204 S * 1/1945 Lear D13/112
 D140,211 S * 1/1945 Lear D13/112
 D141,554 S * 6/1945 Lear D13/112
 3,247,352 A * 4/1966 Reiner H01H 13/70
 200/314
 3,856,997 A * 12/1974 Kilkes H01H 9/165
 200/5 R

4,631,377 A * 12/1986 Imazeki H01H 15/025
 200/16 F
 D366,243 S * 1/1996 Kurokawa D13/162
 D366,244 S * 1/1996 Kurokawa D13/162
 D366,245 S * 1/1996 Kurokawa D13/162
 D366,459 S * 1/1996 Kurokawa D13/164
 D366,867 S * 2/1996 Kurokawa D13/162
 5,568,172 A * 10/1996 Cowger B41J 3/54
 347/19
 D571,290 S * 6/2008 Gebhart D13/112
 D794,566 S * 8/2017 Nada D13/123
 D796,439 S * 9/2017 Nada D13/123
 D797,672 S * 9/2017 Nada D13/123
 D798,236 S * 9/2017 Nada D13/123
 D817,276 S * 5/2018 Ozaki D13/112
 D829,181 S * 9/2018 Kato D13/162
 D829,672 S * 10/2018 Kato D13/162
 D846,011 S * 4/2019 Ishikawa D15/149
 D846,012 S * 4/2019 Ishikawa D15/149

* cited by examiner

Primary Examiner — Rhea Shields
 (74) *Attorney, Agent, or Firm* — Volpe Koenig

(57) **CLAIM**

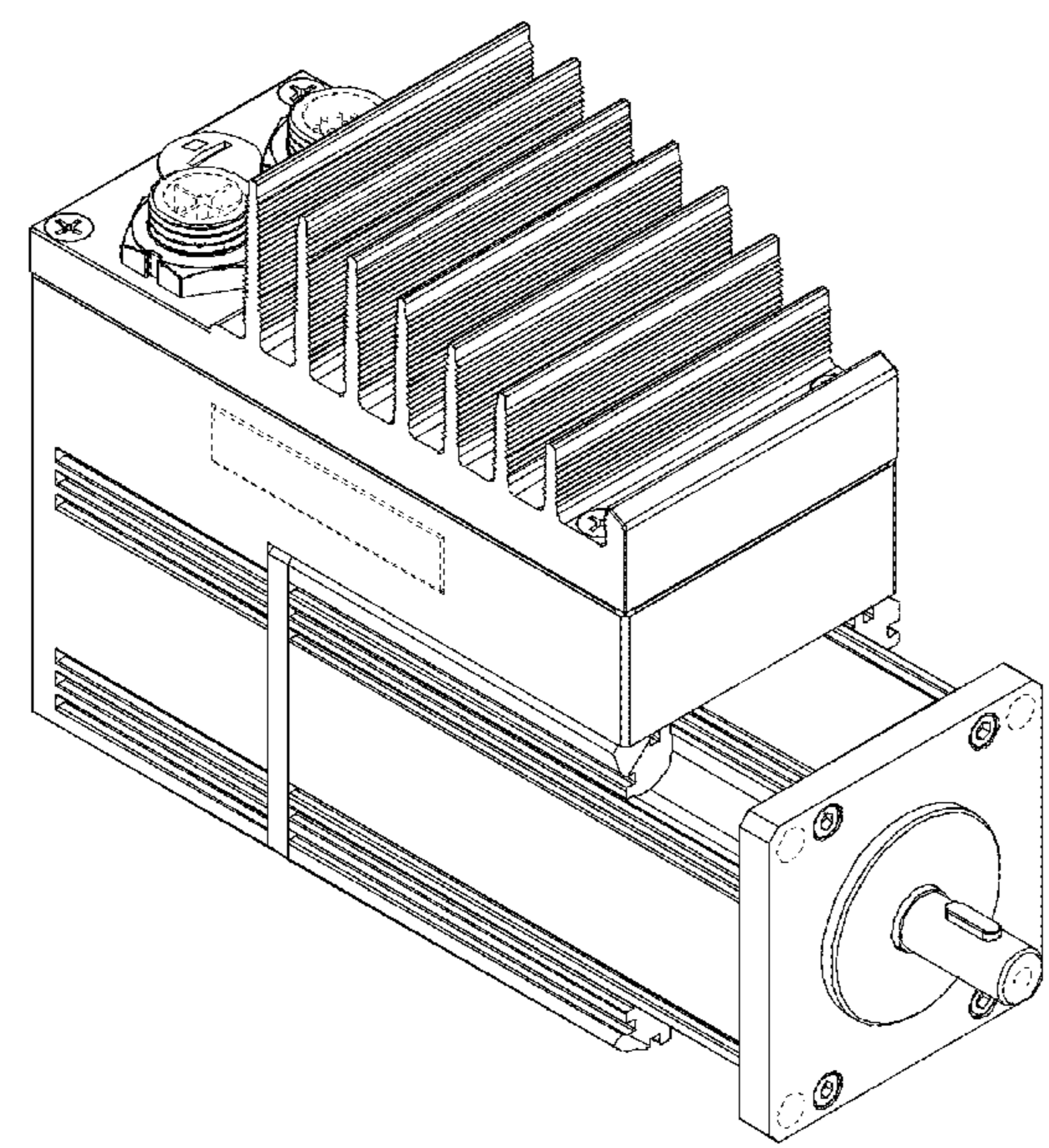
The ornamental design for a servomotor, as shown and described.

DESCRIPTION

1. Servomotor
 1.1 is a perspective view;
 1.2 is a left side view;
 1.3 is a top view;
 1.4 is a bottom view;
 1.5 is a right side view;
 1.6 is a front view; and
 1.7 is a rear view.

The broken lines shown in the drawings represent portions of the servomotor that form no part of the claimed design.

1 Claim, 7 Drawing Sheets



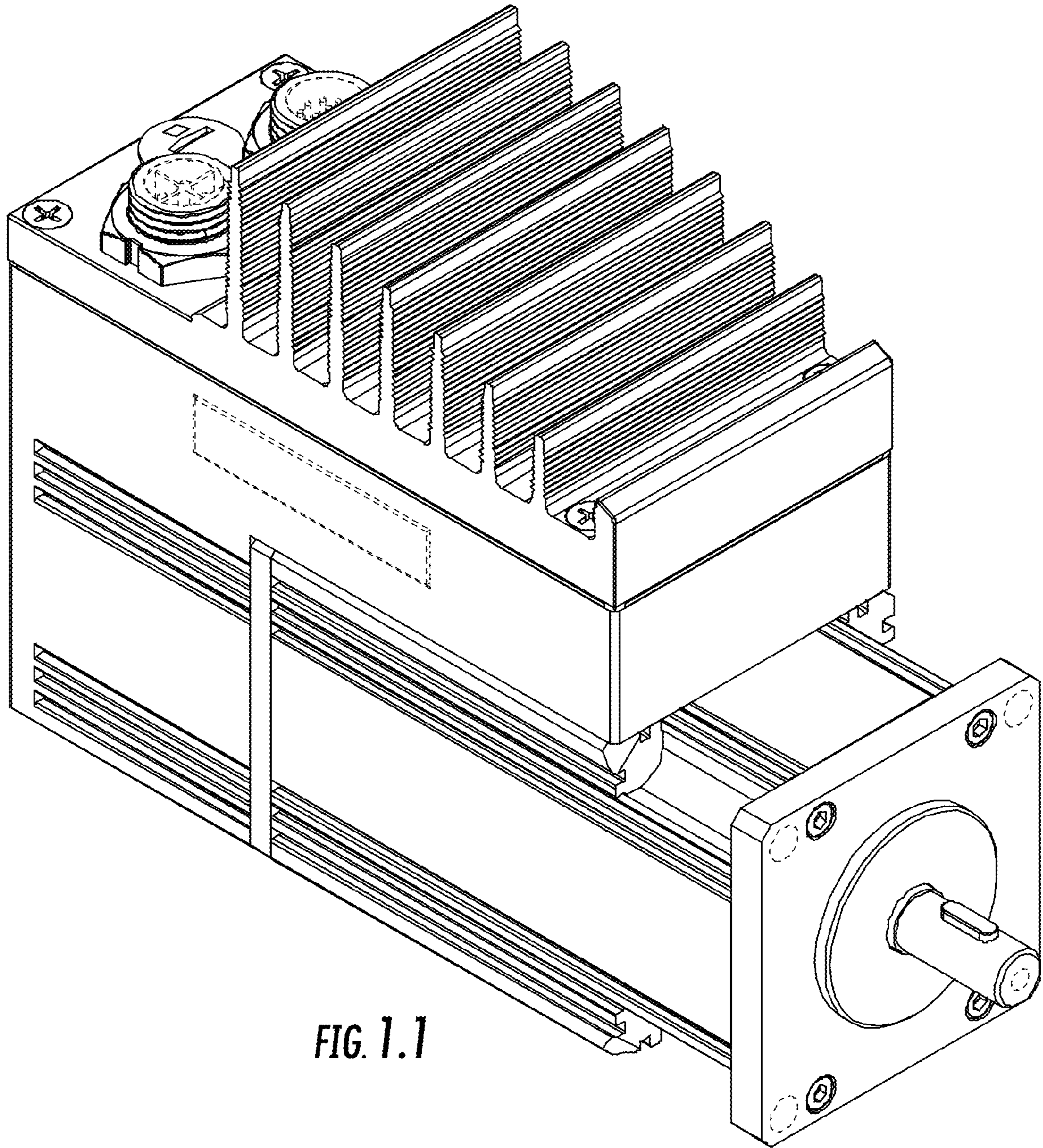


FIG. 1.1

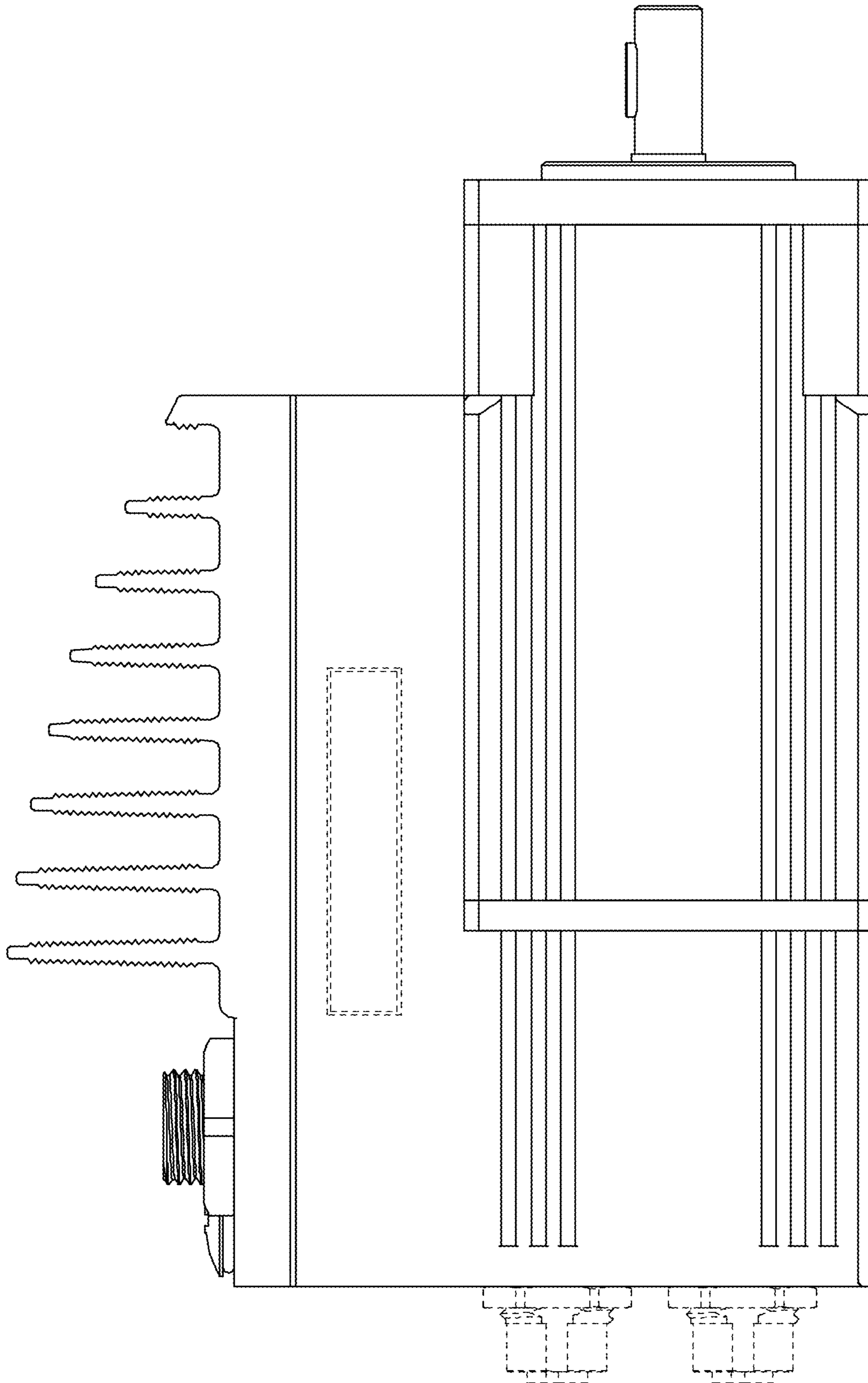


FIG. 1.2

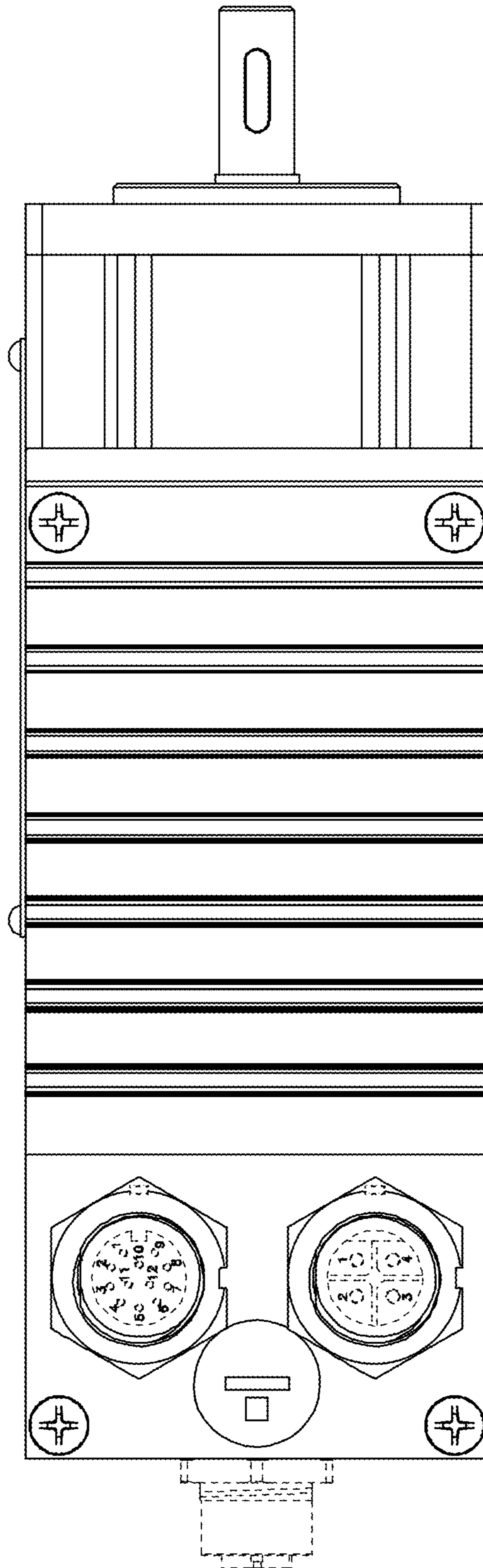


FIG. 1.3

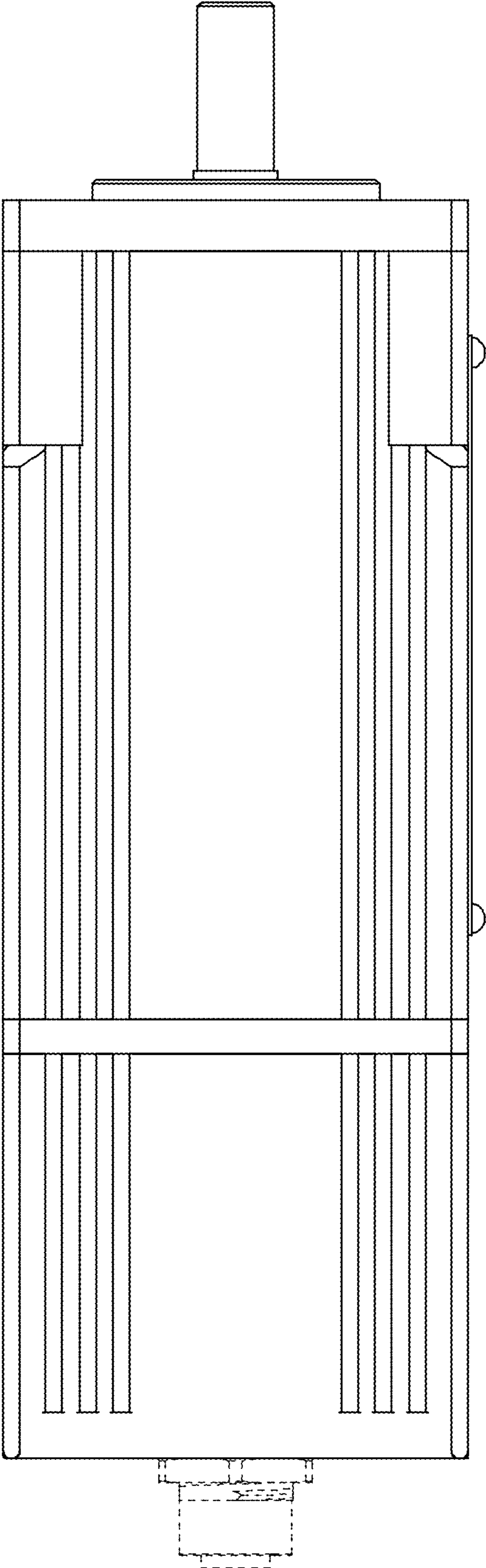


FIG. 1.4

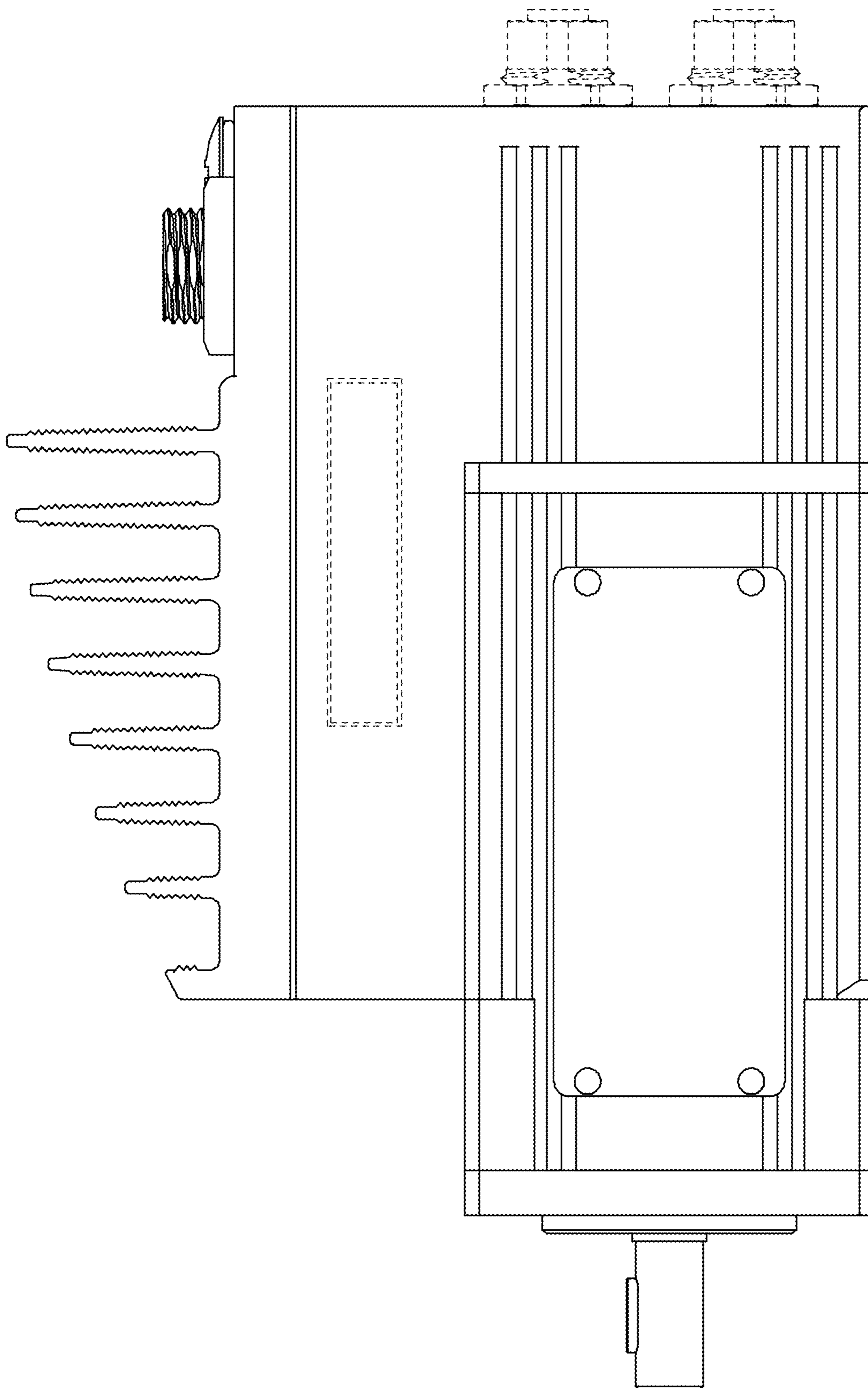


FIG. 1.5

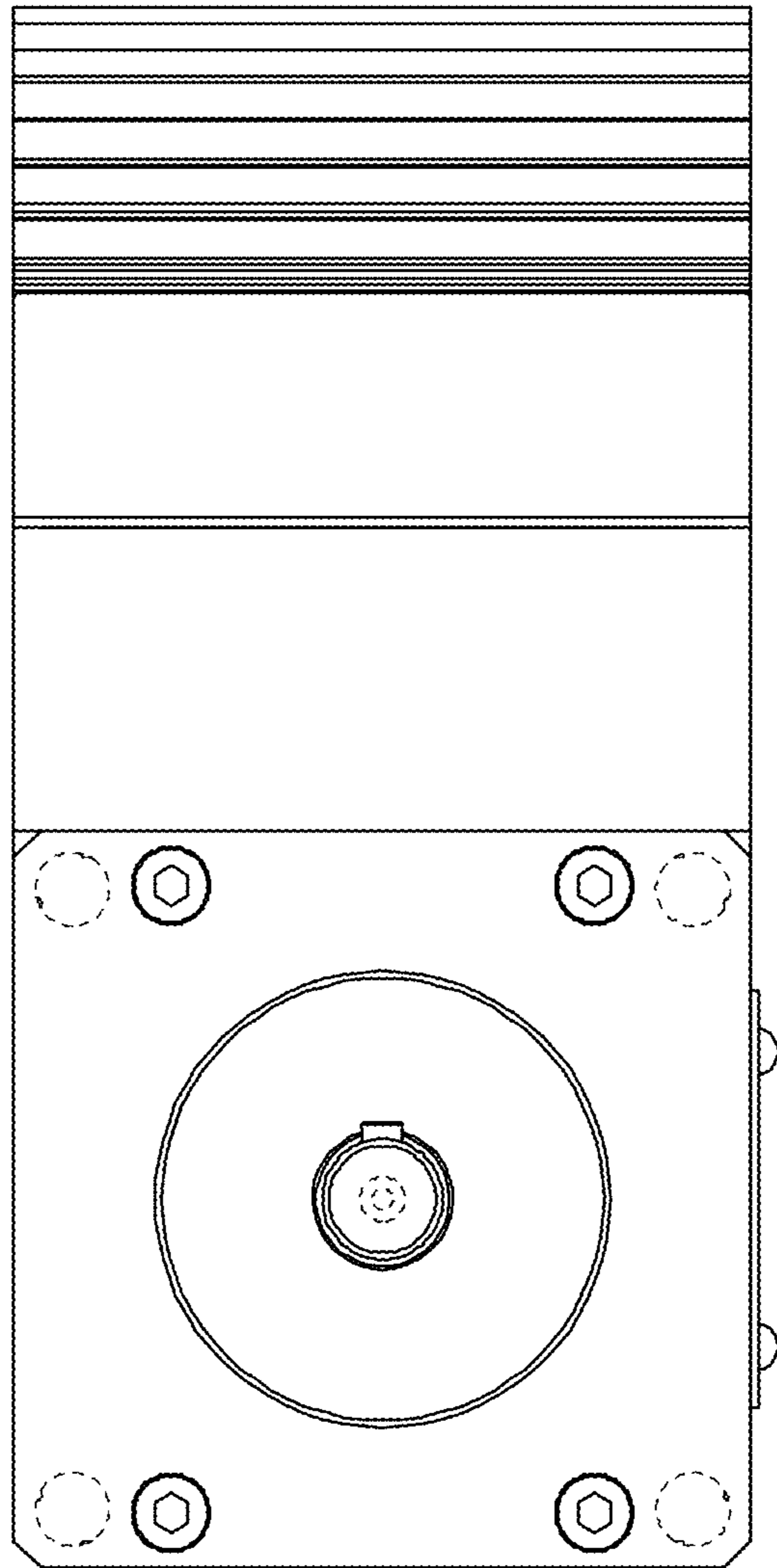


FIG. 1.6

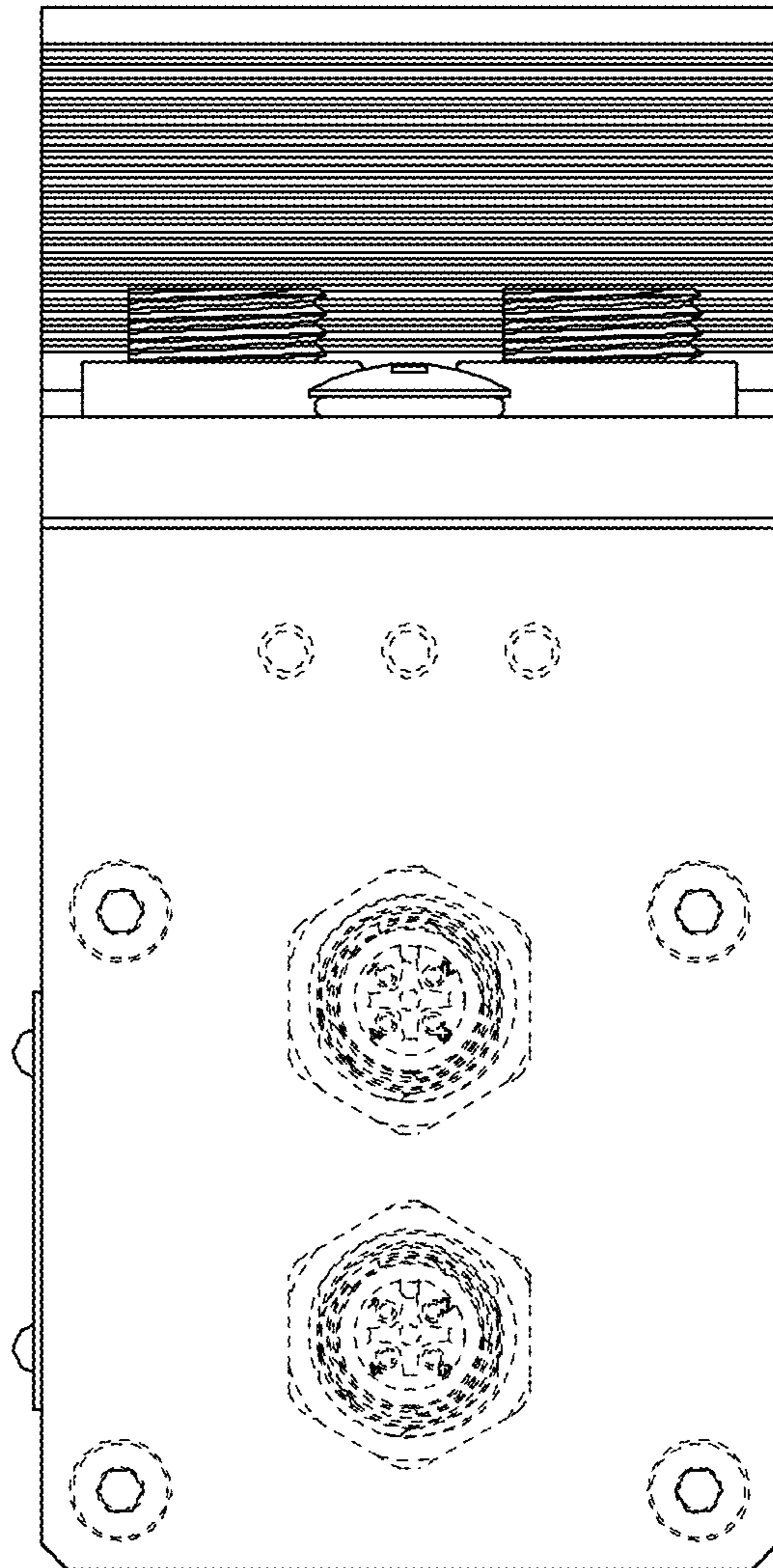


FIG. 1.7