



US00D906237S

(12) **United States Design Patent**
Yao

(10) **Patent No.:** **US D906,237 S**

(45) **Date of Patent:** **** Dec. 29, 2020**

(54) **WIRELESS CHARGING HUB**

(71) Applicant: **Ze-Jian Yao**, Hunan (CN)

(72) Inventor: **Ze-Jian Yao**, Hunan (CN)

(**) Term: **15 Years**

(21) Appl. No.: **29/678,385**

(22) Filed: **Jan. 29, 2019**

(51) **LOC (12) Cl.** **13-02**

(52) **U.S. Cl.**
USPC **D13/108**

(58) **Field of Classification Search**
USPC D13/103, 107-108, 110, 184, 199;
D14/251, 253, 432, 434
CPC H02J 7/0044; H02J 7/0045; H02J 7/0042;
H02J 7/342; H02J 7/345; H02J 7/025;
H02J 7/026; H02J 7/0007; H02J 7/0027;
H02J 7/0003; H02J 50/00; H02J 50/10;
H02J 50/12; H02J 50/80; H02J 50/40;
H02J 50/402; H02J 50/50
See application file for complete search history.

(56) **References Cited**

U.S. PATENT DOCUMENTS

D530,717 S	*	10/2006	Mori	D14/434
D574,769 S	*	8/2008	Fisher	D13/108
D578,960 S	*	10/2008	Fisher	D13/108
D578,961 S	*	10/2008	Fisher	D13/108
D645,818 S	*	9/2011	Guccione	D13/108
D656,097 S	*	3/2012	Nomi	D13/108

D680,063 S	*	4/2013	Sasada	D13/103
D686,153 S	*	7/2013	Qu	D13/103
D707,627 S	*	6/2014	Brunner	D13/110
D709,506 S	*	7/2014	Lee	D14/434
D719,505 S	*	12/2014	Kim	D13/108
D722,023 S	*	2/2015	Brunner	D13/110
D722,962 S	*	2/2015	Kim	D13/108
D727,259 S	*	4/2015	Hwang	D13/108
D729,163 S	*	5/2015	Meyer	D13/123
D760,647 S	*	7/2016	Chen	D13/103
D818,434 S	*	5/2018	Doiron	D13/108
D838,241 S	*	1/2019	Xie	D13/108

* cited by examiner

Primary Examiner — Rosemary K Tarcza
(74) *Attorney, Agent, or Firm* — W&K IP

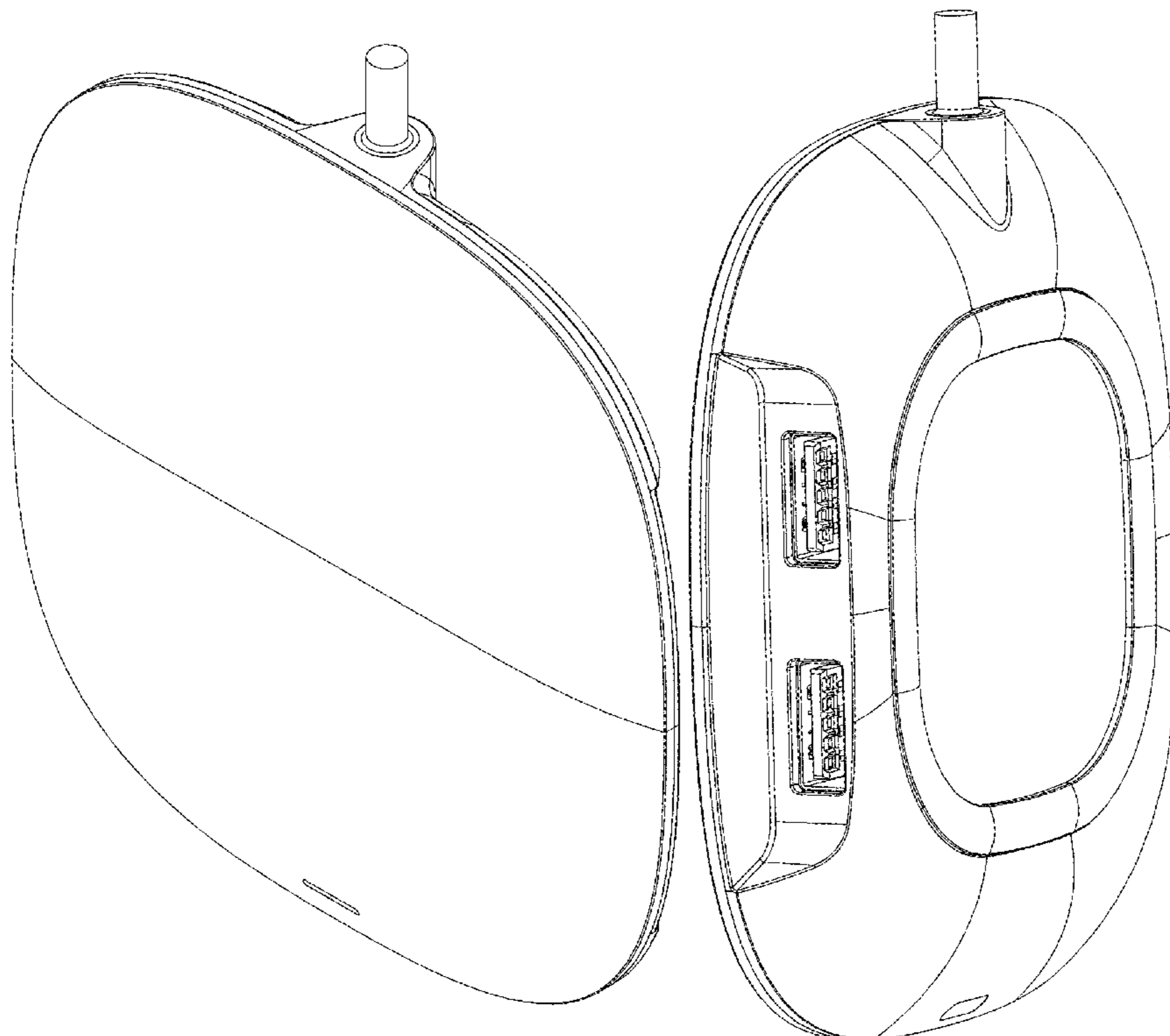
(57) **CLAIM**

The ornamental design for a wireless charging hub, as shown and described.

DESCRIPTION

FIG. 1 is a bottom view of a wireless charging hub showing my new design;
FIG. 2 is a top plan view thereof;
FIG. 3 is a front perspective view thereof;
FIG. 4 is a rear perspective view thereof;
FIG. 5 is a rear elevational view thereof;
FIG. 6 is a front elevational view thereof;
FIG. 7 is a left side elevational view thereof; and,
FIG. 8 is a right side elevational view thereof.
The broken lines in FIG. 7 illustrate portions of the wireless charging hub that form no part of the claimed design.

1 Claim, 8 Drawing Sheets



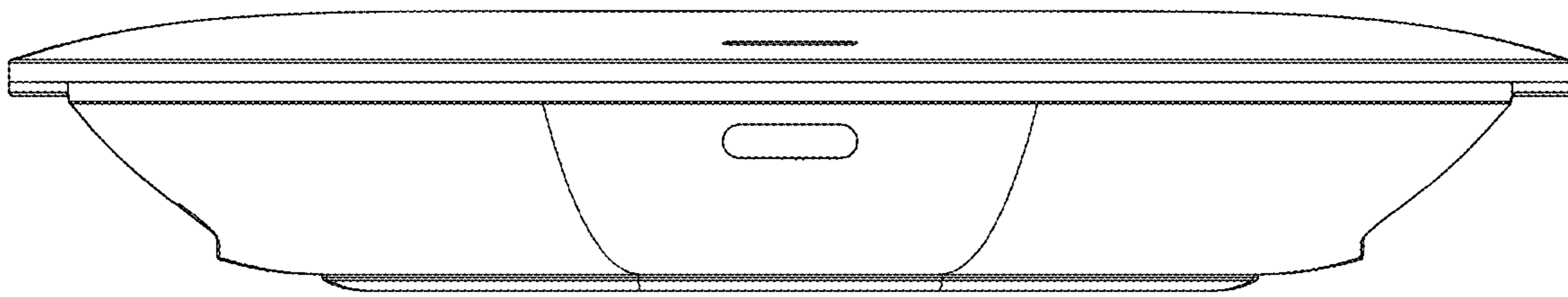


FIG. 1

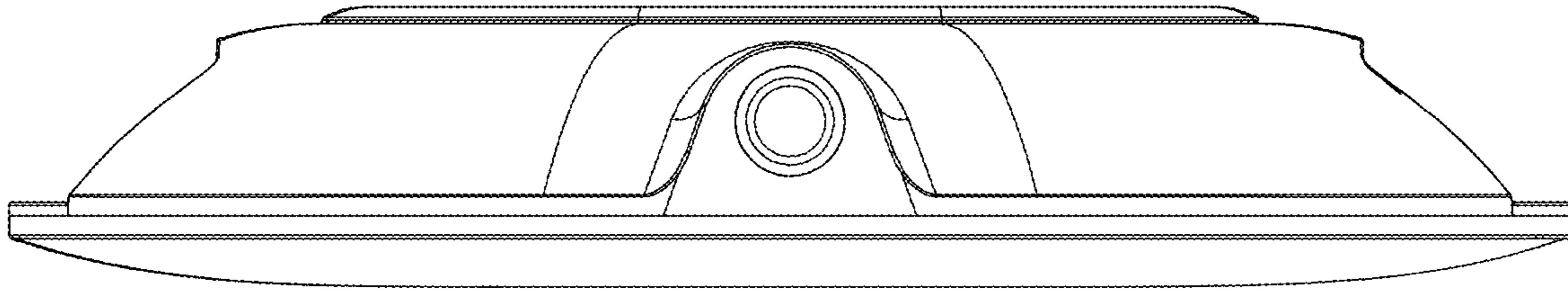


FIG. 2

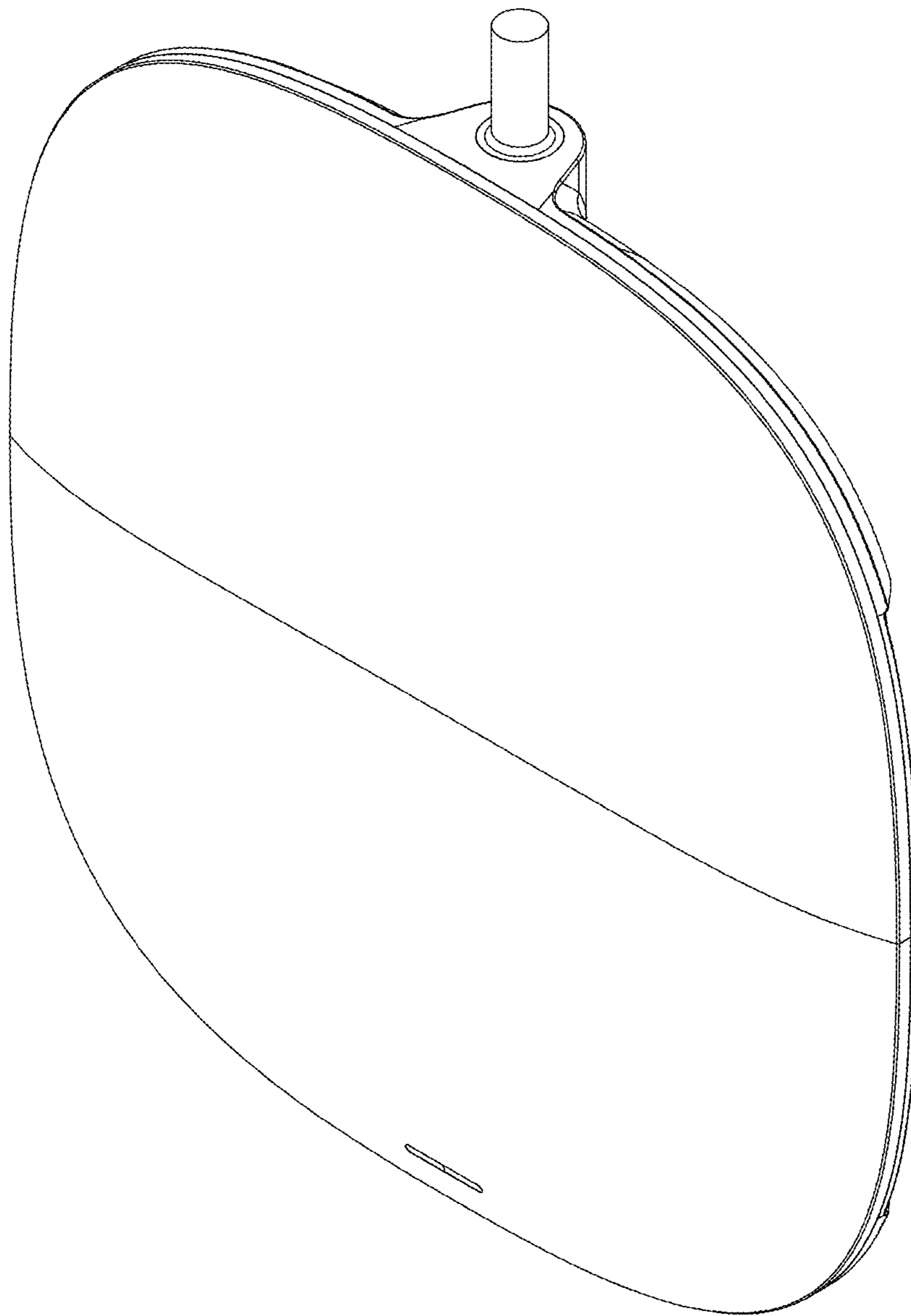


FIG. 3

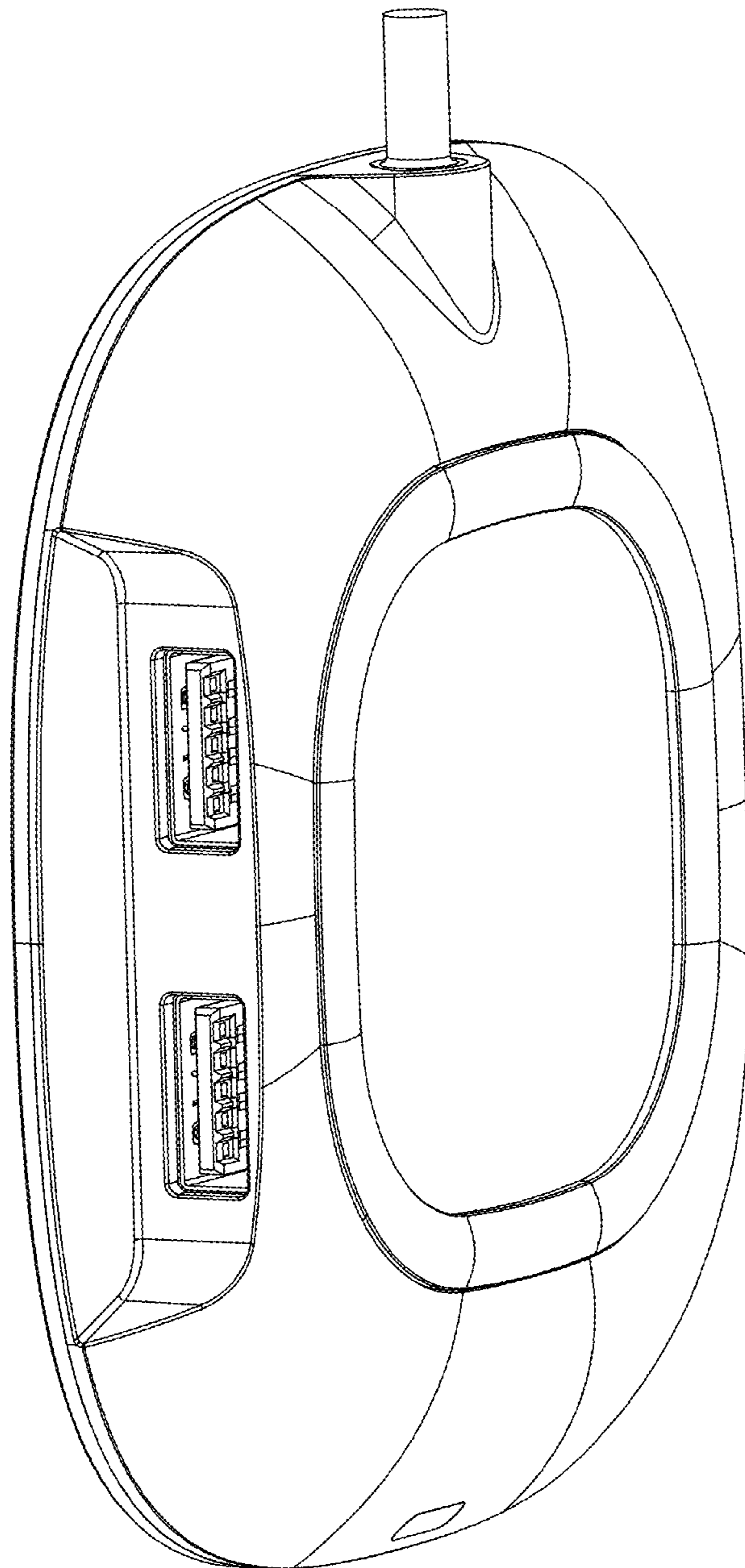


FIG. 4

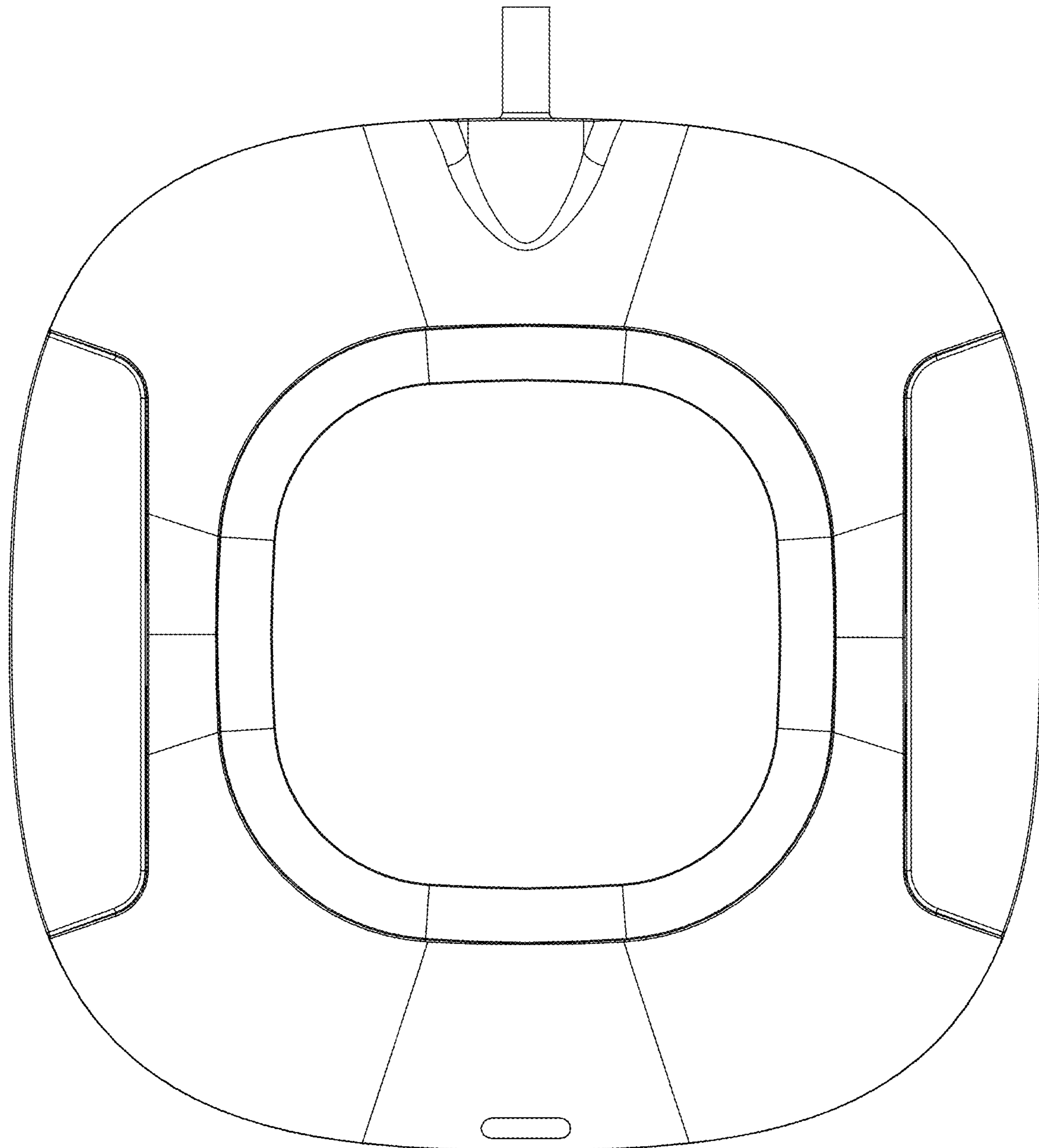


FIG. 5

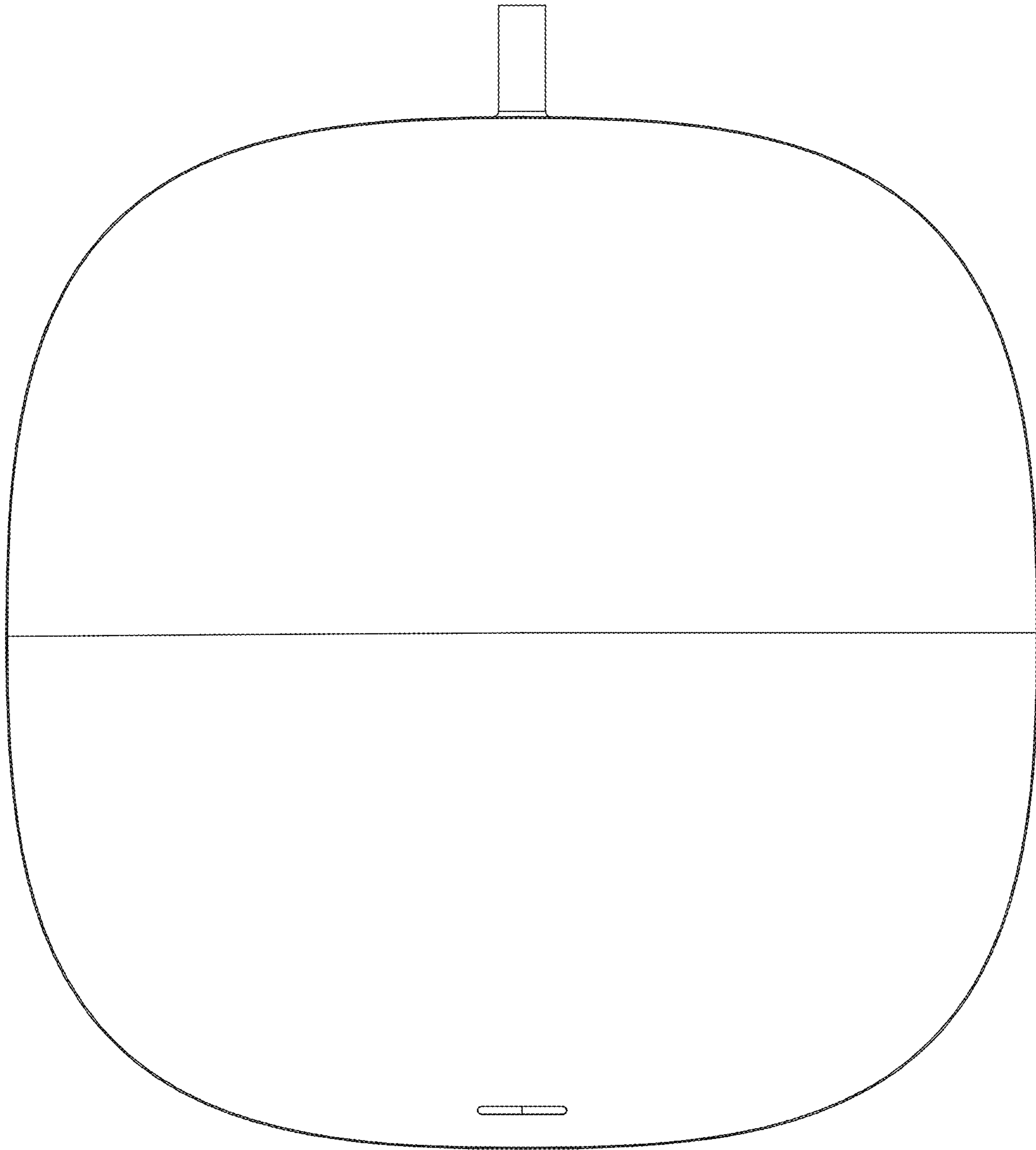


FIG. 6

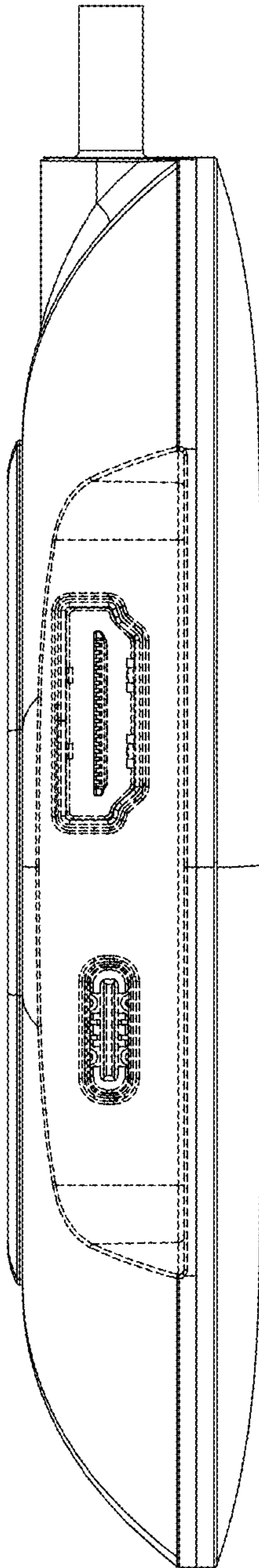


FIG. 7

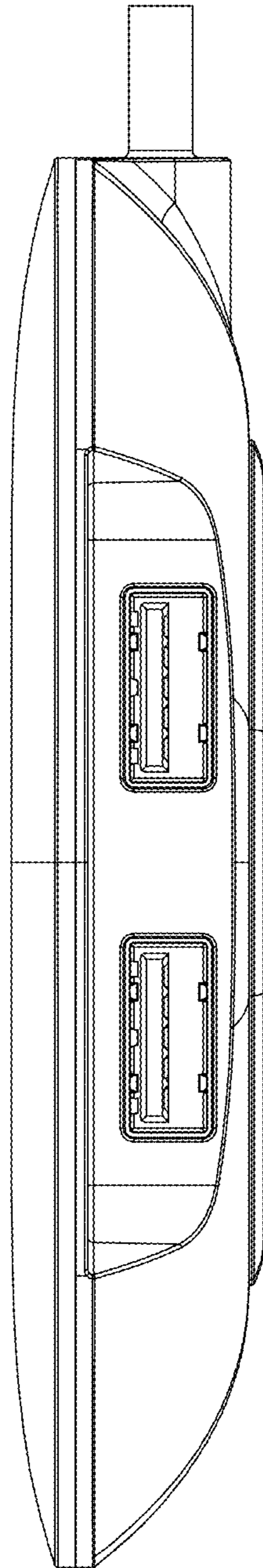


FIG. 8