



US00D906236S

(12) **United States Design Patent** (10) **Patent No.:** **US D906,236 S**
Tat et al. (45) **Date of Patent:** **** Dec. 29, 2020**

(54) **DOCKING STATION FOR MOWERS**
(71) Applicant: **TTI (MACAO COMMERCIAL OFFSHORE) LIMITED**
(72) Inventors: **Wong Kar Tat, Kwai Chung (HK); Lau Hee Wing, Kwai Chung (HK); Lam Kwok Fan, Kwai Chung (HK)**
(73) Assignee: **Techtronic Cordless GP, Anderson, SC (US)**
(**) Term: **15 Years**
(21) Appl. No.: **29/658,836**
(22) Filed: **Aug. 3, 2018**
(51) **LOC (12) Cl.** **13-02**
(52) **U.S. Cl.**
USPC **D13/108; D15/17**
(58) **Field of Classification Search**
USPC ... D14/434, 433, 435, 435.1, 356, 357, 358, D14/440, 447, 251-253, 432, 451, 452, D14/454, 140, 142, 149, 217, 240, 299, D14/496, 171; D13/103, 107, 108, 118, D13/119, 184, 110, 123, 133, 135; D21/333; D6/672; D15/17, 199; D32/31
CPC G06F 1/1632; G06F 13/4077; G06F 2207/4808; H01R 31/06; H01R 31/065; H01R 13/6675; H01M 10/44; H01M 10/46; H02J 7/0042; H02J 7/0044; H02J 7/0045; Y02T 90/122; Y02T 90/128; Y02T 90/14; Y02T 90/163; Y02E 70/40; Y02E 60/12
See application file for complete search history.

(56) **References Cited**
U.S. PATENT DOCUMENTS
D307,019 S * 4/1990 Rosenblad D15/17
D510,066 S * 9/2005 Hickey D13/108
D566,352 S * 4/2008 Ågren D13/108

7,389,166 B2 * 6/2008 Harwig G05D 1/0272
15/300.1
D574,326 S * 8/2008 Lim D13/110
D588,059 S * 3/2009 Fujita D13/108
7,849,555 B2 * 12/2010 Hahm A47L 9/106
134/21
D639,237 S * 6/2011 Lee D13/108
D639,735 S * 6/2011 Lee D13/108
D640,194 S * 6/2011 Kim D13/108
(Continued)

OTHER PUBLICATIONS

Chargers for lawn mowers. (Design—© Questel) orbit.com. [online PDF] 12 pgs. Print Dates range Jun. 6, 2016 through Feb. 4, 2019 [Retrieved on Dec. 2, 2019] <https://sobjprd.questel.fr/export/QPTUJ214/pdf2/1be4f005-01f5-4ab2-8b3b-05e0a232e4c9-224800.pdf>.*

Primary Examiner — Marie D. Fast Horse
(74) *Attorney, Agent, or Firm* — Dority & Manning, P.A.

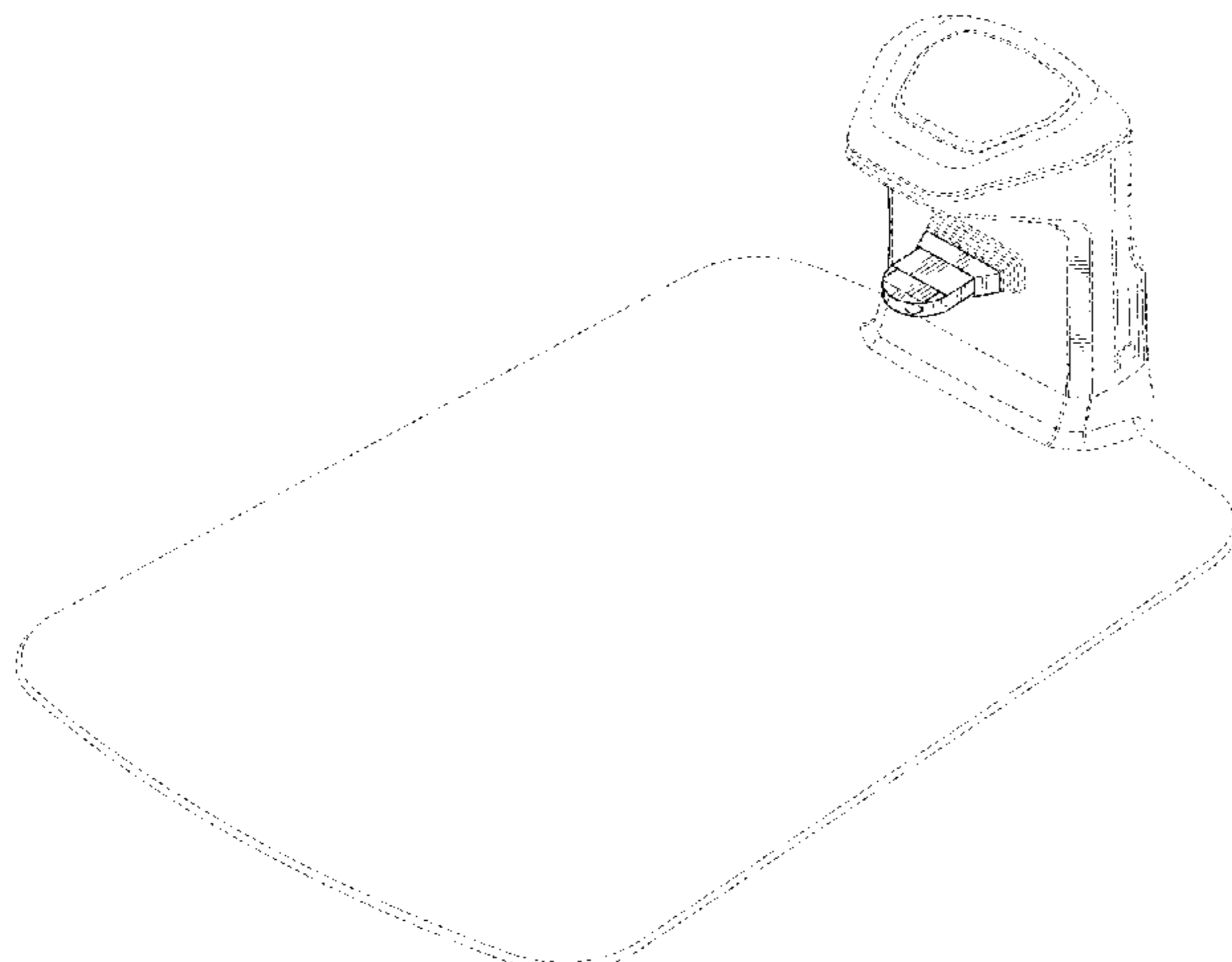
(57) **CLAIM**

The ornamental design for a docking station for mowers, as shown and described.

DESCRIPTION

FIG. 1 is a perspective view of a docking station for mowers; FIG. 2 is a top view of the docking station for mowers of FIG. 1; FIG. 3 is a bottom view of the docking station for mowers of FIG. 1; FIG. 4 is a right side view of the docking station for mowers of FIG. 1; FIG. 5 is a front view of the docking station for mowers of FIG. 1; FIG. 6 is a left side view of the docking station for mowers of FIG. 1; and, FIG. 7 is a rear view of the docking station for mowers of FIG. 1. The broken lines depict portions of the docking station for mowers that form no part of the claim.

1 Claim, 7 Drawing Sheets



(56)

References Cited

U.S. PATENT DOCUMENTS

D675,154 S *	1/2013	Nam	D13/108	D818,433 S *	5/2018	Ebrahimi Afrouzi	D13/108
D691,553 S *	10/2013	Deoksang	D13/108	D818,950 S *	5/2018	Ebrahimi Afrouzi	D13/108
D698,310 S *	1/2014	Yun	D13/108	D821,973 S *	7/2018	Maeda	D13/108
D704,628 S *	5/2014	Tajik	D13/108	D829,794 S *	10/2018	Wang	D15/199
8,749,196 B2 *	6/2014	Cohen	H02J 7/0036	D833,979 S *	11/2018	Hung	D13/154
				320/109	D837,150 S *	1/2019	Naslund	D13/108
D709,446 S *	7/2014	Haug	D13/108	D847,740 S *	5/2019	Yamanouchi	D13/108
D712,827 S *	9/2014	Maeda	D13/108	D849,682 S *	5/2019	Dou	D13/108
8,825,256 B2 *	9/2014	Kim	A47L 9/2831	10,383,499 B2 *	8/2019	Fox	B25J 19/005
				701/23	D860,934 S *	9/2019	Ebrahimi Afrouzi	D13/108
8,854,001 B2 *	10/2014	Cohen	H02J 7/0036	D867,987 S *	11/2019	Mi	D13/108
				320/109	10,463,215 B2 *	11/2019	Morin	A47L 9/00
D742,824 S *	11/2015	Hsu	D13/108	D879,718 S *	3/2020	Piper	D13/133
9,236,750 B2 *	1/2016	Tang	H02J 7/0042	D887,976 S *	6/2020	Tung	D13/108
D760,649 S *	7/2016	Cmich	D15/17	2005/0017681 A1 *	1/2005	Ogishima	H01M 10/441
D760,721 S *	7/2016	Akana	D14/434					320/112
D766,836 S *	9/2016	Endo	D13/154	2010/0011529 A1 *	1/2010	Won	A47L 9/106
D775,071 S *	12/2016	Hong	D13/108					15/319
D776,054 S *	1/2017	Cmich	D15/17	2013/0335900 A1 *	12/2013	Jang	A47L 5/24
9,554,508 B2 *	1/2017	Balutis	G05D 1/021					361/679.01
D804,414 S *	12/2017	Tang	D13/108	2018/0064023 A1 *	3/2018	Song	H02J 7/0042
					2019/0222043 A1 *	7/2019	Jiao	H02J 7/0045
					2019/0357747 A1 *	11/2019	Keiler	H02J 7/0042

* cited by examiner

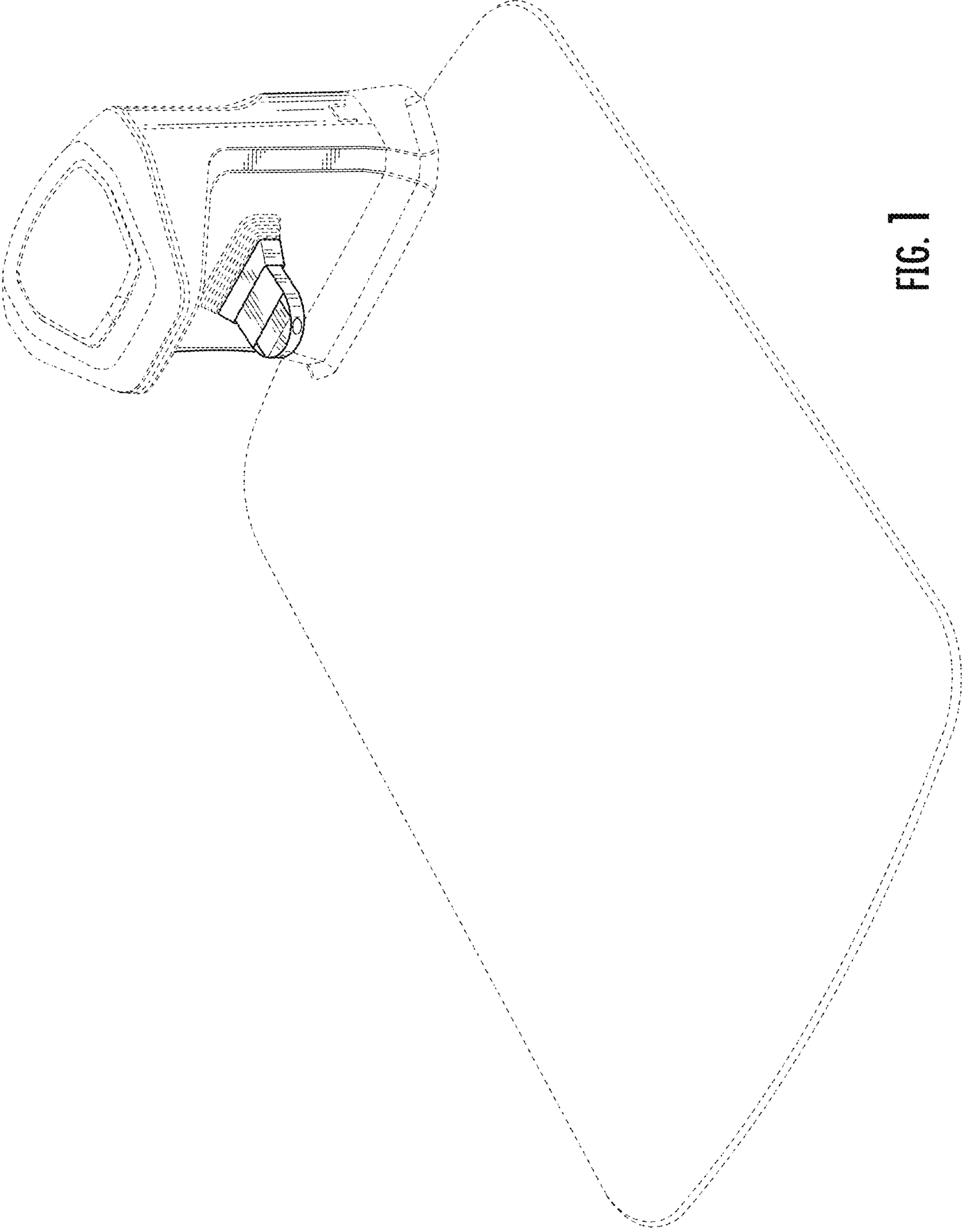


FIG. 1



FIG. 2

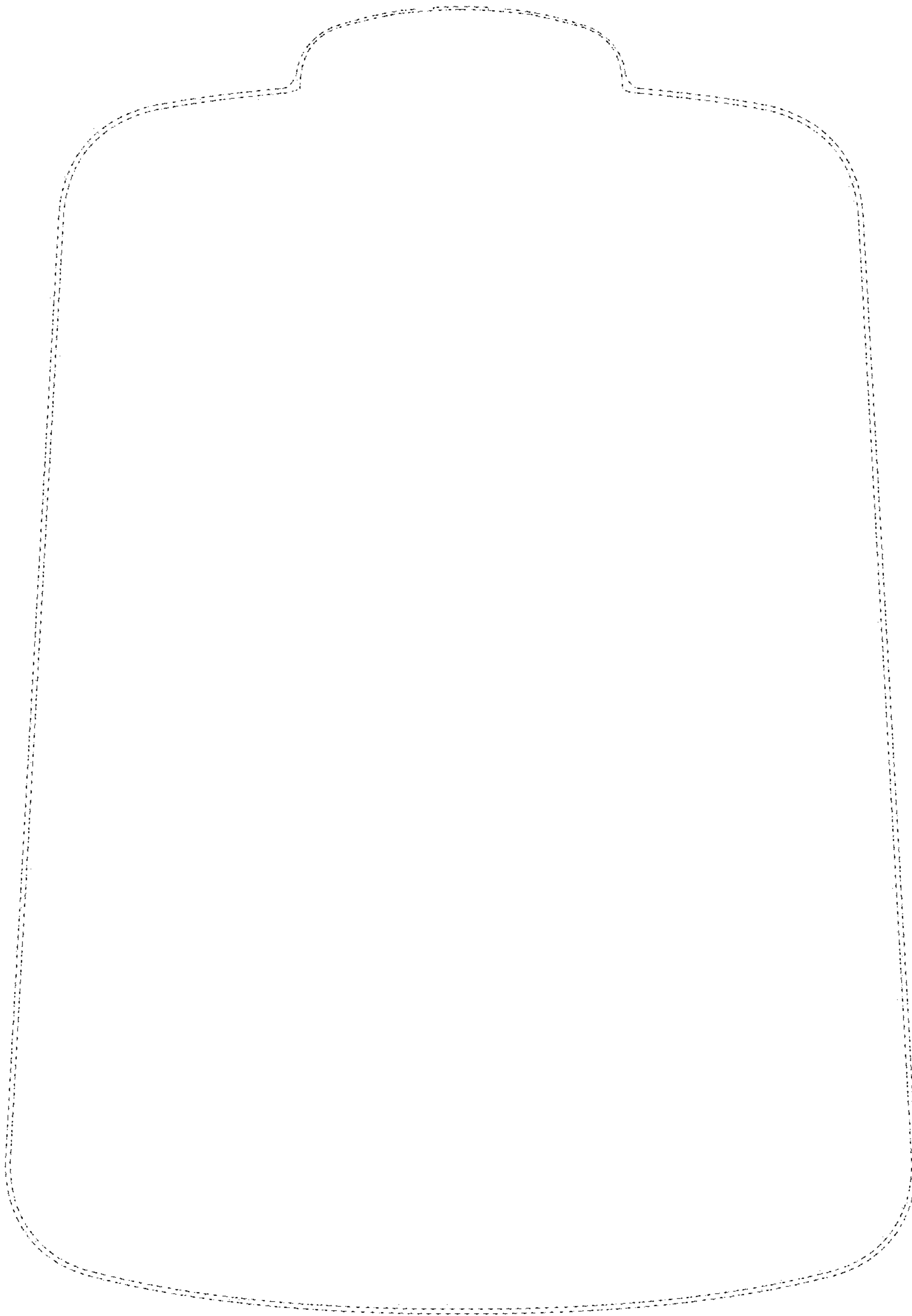


FIG. 3

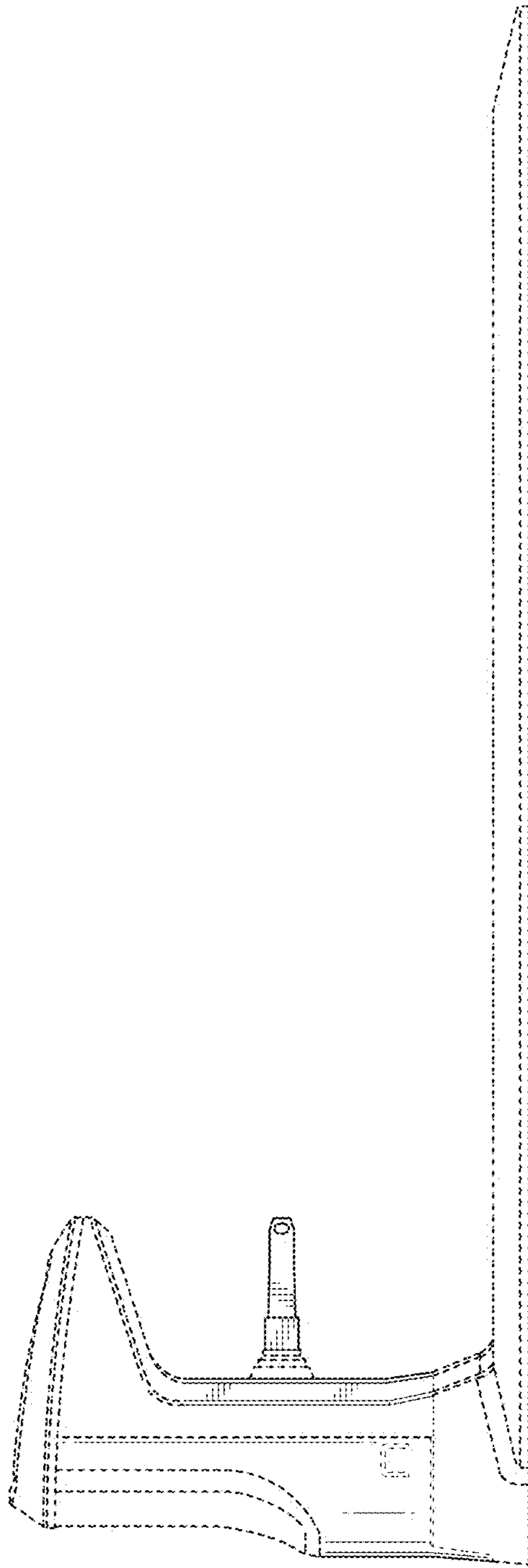


FIG. 4

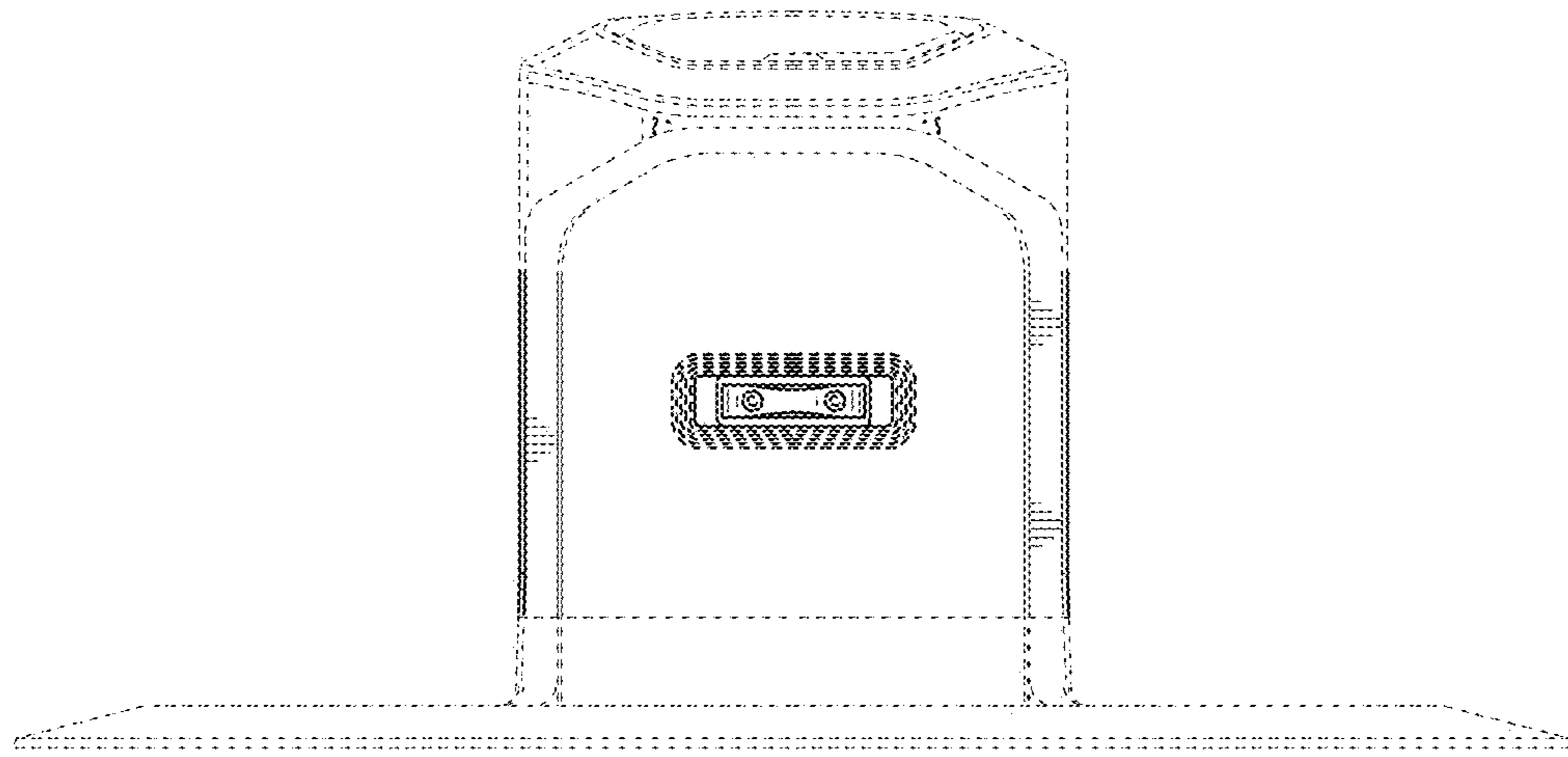


FIG. 5

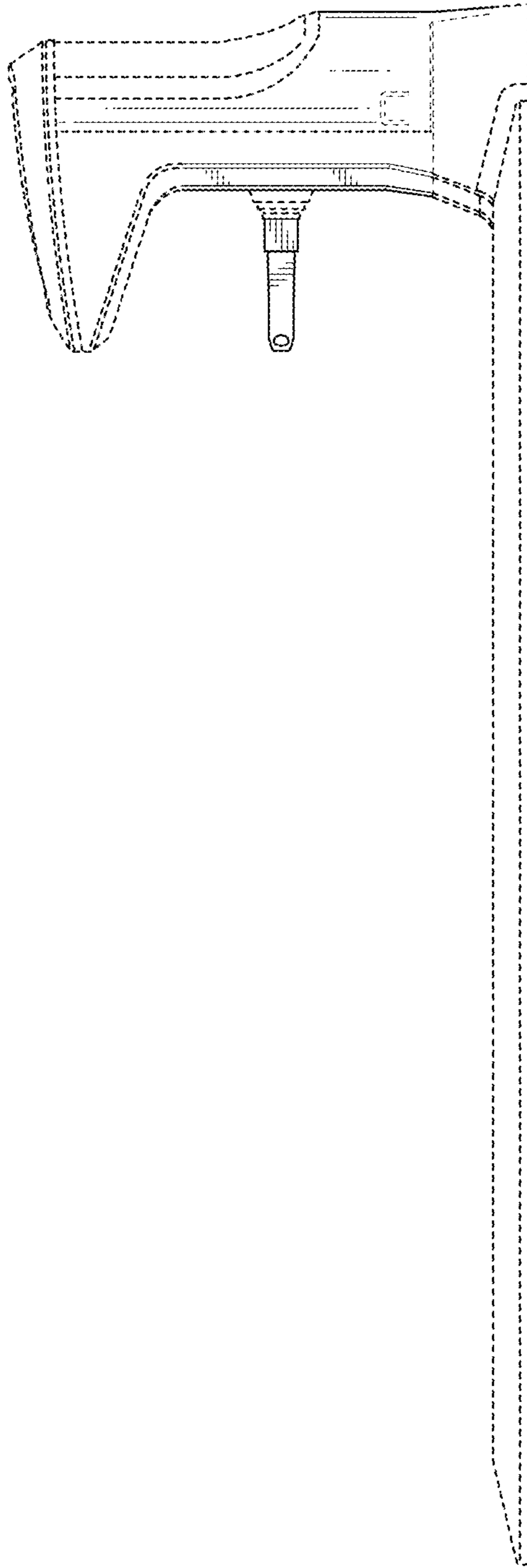


FIG. 6

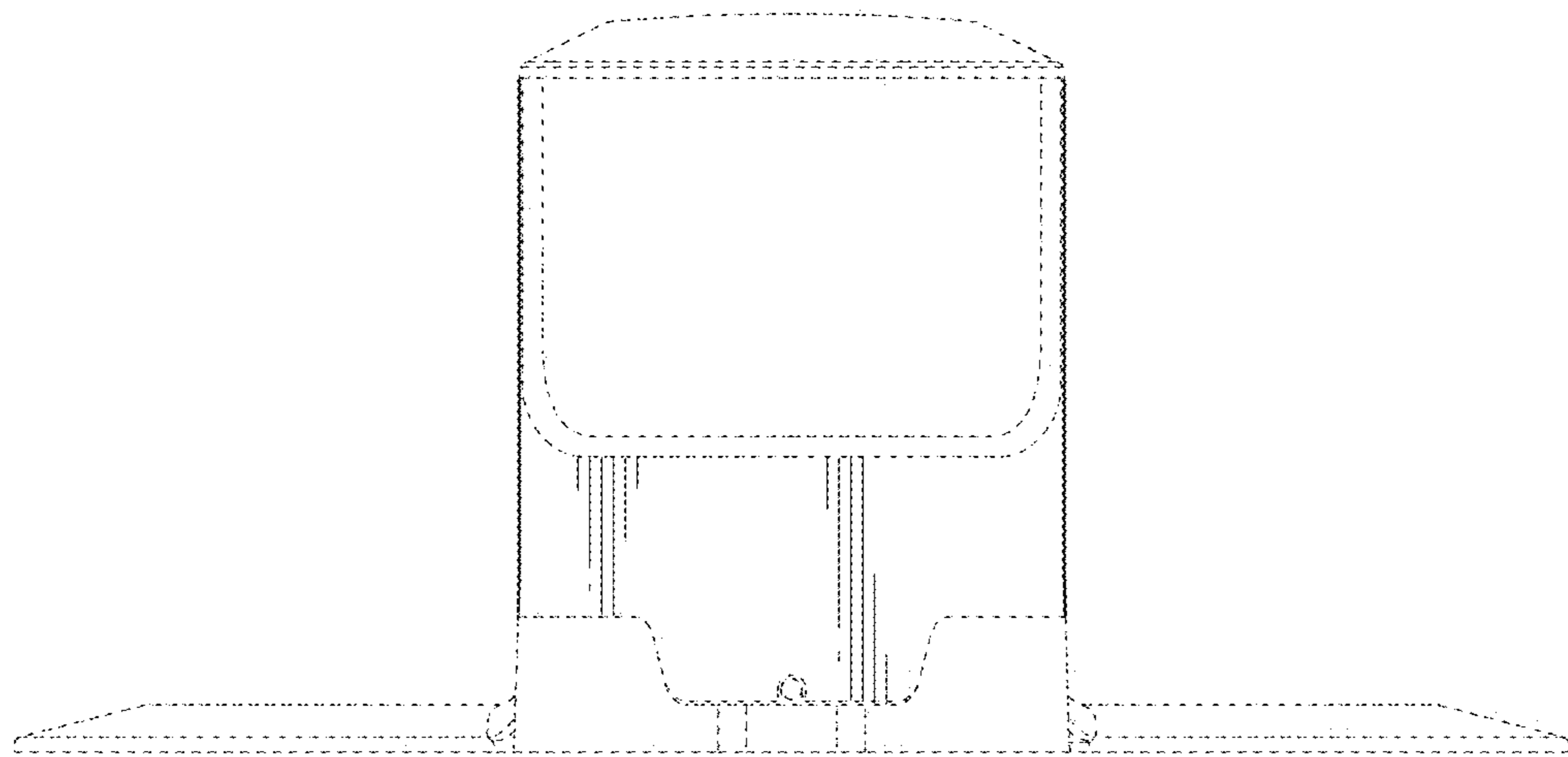


FIG. 7