



US00D906235S

(12) **United States Design Patent**  
**Liu et al.**

(10) **Patent No.:** **US D906,235 S**

(45) **Date of Patent:** **\*\* Dec. 29, 2020**

(54) **DIGITAL WALLET BATTERY**

(71) Applicant: **Cobo Global Limited**, Grand Cayman (KY)

(72) Inventors: **Lixin Liu**, Shanghai (CN); **Xiejun Tan**, Shanghai (CN); **Qiaoping Luo**, Shanghai (CN)

(73) Assignee: **COBO GLOBAL LIMITED**, Grand Cayman (KY)

(\*\*) Term: **15 Years**

(21) Appl. No.: **29/662,906**

(22) Filed: **Sep. 10, 2018**

(51) **LOC (12) Cl.** ..... **13-02**

(52) **U.S. Cl.**  
USPC ..... **D13/103**

(58) **Field of Classification Search**  
USPC ..... D13/102–106, 118–119, 184, 199;  
D14/341

CPC ..... Y02E 60/10; H01M 2/02; H01M 2/022;  
H01M 2/0202; H01M 2/0207; H01M  
2/0212; H01M 2/1016; H01M 2/105;  
H01M 2/1061; H01M 2/06

See application file for complete search history.

(56) **References Cited**

**U.S. PATENT DOCUMENTS**

D303,524 S \* 9/1989 Siegner ..... D14/438  
D305,717 S \* 1/1990 Soren ..... D13/103  
D349,882 S \* 8/1994 Johnson ..... D13/103  
D403,299 S \* 12/1998 Smith ..... D13/103  
5,973,477 A \* 10/1999 Chang ..... H01M 10/425  
320/114  
D417,428 S \* 12/1999 Kolinen ..... D13/103

D462,071 S \* 8/2002 Ruohonen ..... D13/103  
D512,713 S \* 12/2005 Watanabe ..... D13/103  
D597,483 S \* 8/2009 Wahl ..... D13/103  
D621,393 S \* 8/2010 Panahi ..... D14/250  
D628,148 S \* 11/2010 English ..... D13/102  
D666,148 S \* 8/2012 Inaba ..... D13/119  
D671,493 S \* 11/2012 Hasbrook ..... D13/119  
D685,319 S \* 7/2013 Ignor ..... D13/103  
D759,585 S \* 6/2016 Herbst ..... D13/103  
D769,810 S \* 10/2016 Lin ..... D13/103  
D806,015 S \* 12/2017 Park ..... D13/103  
D832,245 S \* 10/2018 Jeon ..... D14/250  
D858,505 S \* 9/2019 Zhang ..... D14/250  
D861,666 S \* 10/2019 Mao ..... D14/250  
D883,917 S \* 5/2020 Chen ..... D13/103

\* cited by examiner

*Primary Examiner* — Rosemary K Tarcza

(74) *Attorney, Agent, or Firm* — Fenwick & West LLP

(57) **CLAIM**

The ornamental design for a digital wallet battery, as shown and described.

**DESCRIPTION**

FIG. 1 is a front, bottom, and right side perspective view of a digital wallet battery;

FIG. 2 is a rear, bottom, and left side perspective view thereof;

FIG. 3 is a bottom elevational view thereof;

FIG. 4 is a top elevational view thereof;

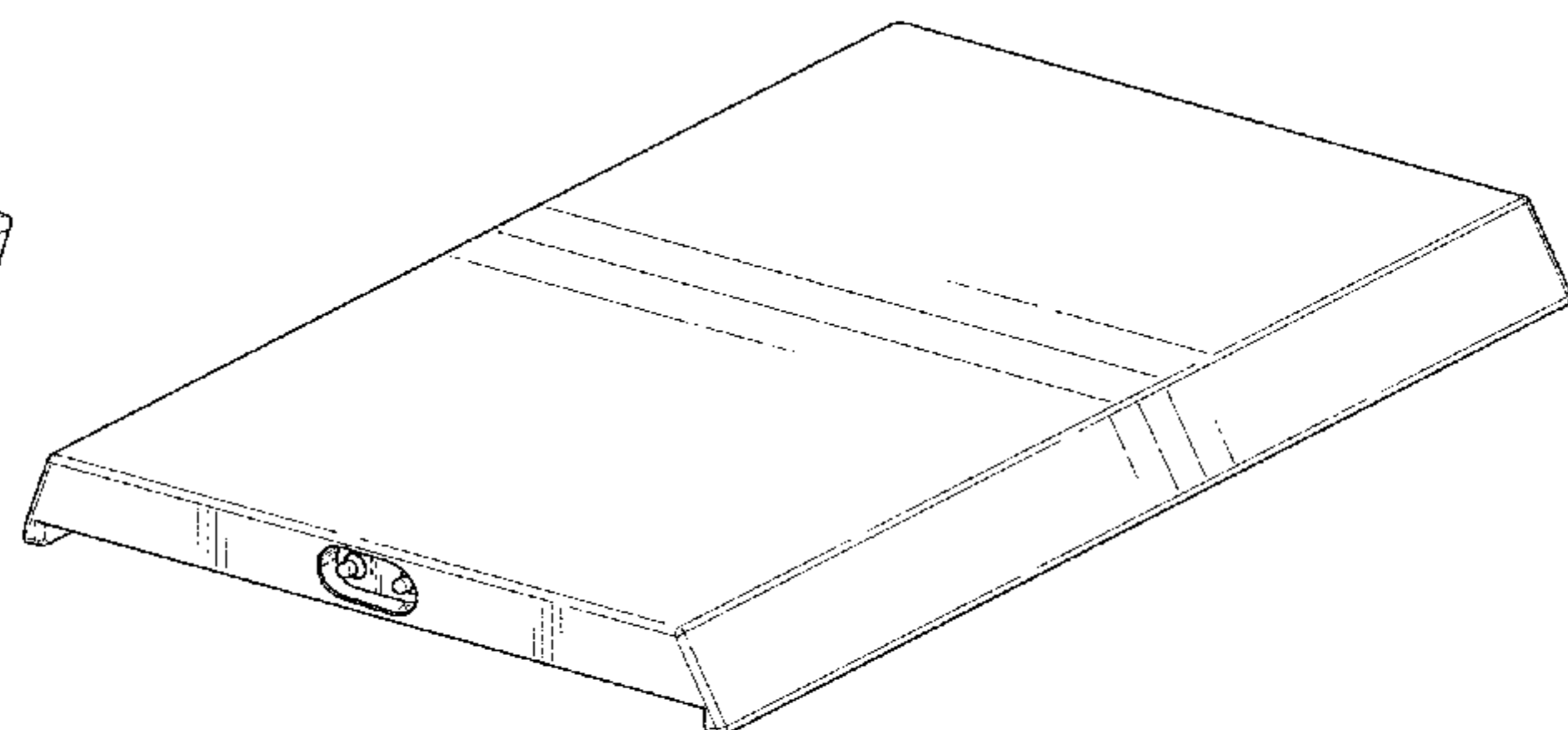
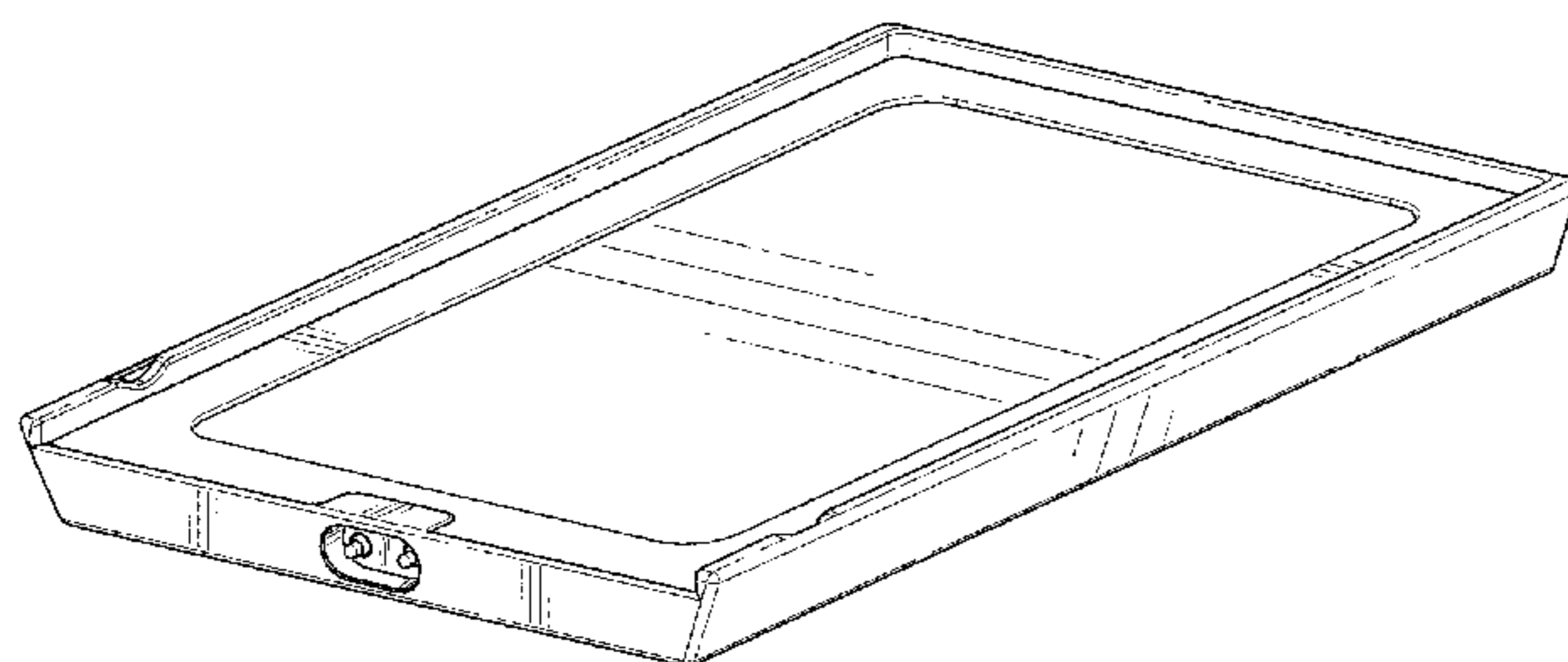
FIG. 5 is a left side elevational view thereof;

FIG. 6 is a right side elevational view thereof;

FIG. 7 is a front plan view thereof; and,

FIG. 8 is a rear plan view thereof.

**1 Claim, 8 Drawing Sheets**



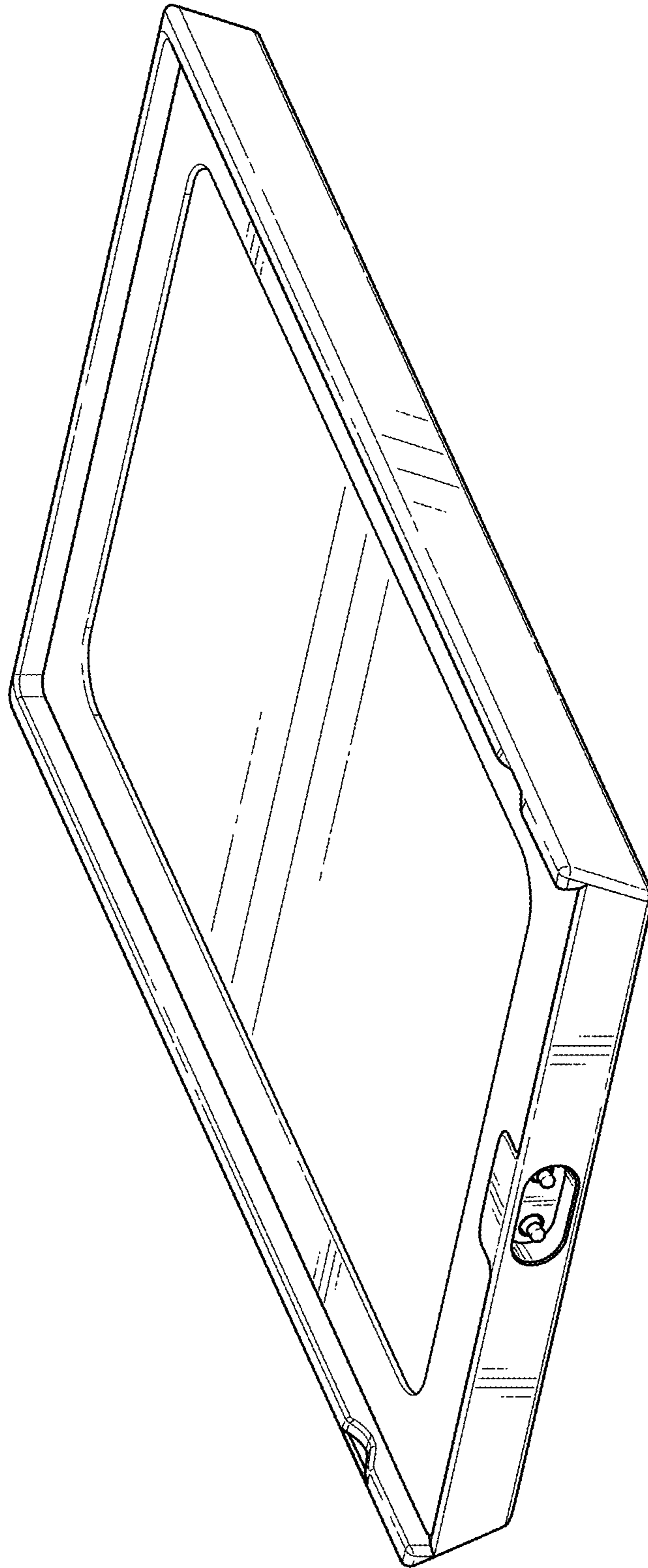


FIG. 1

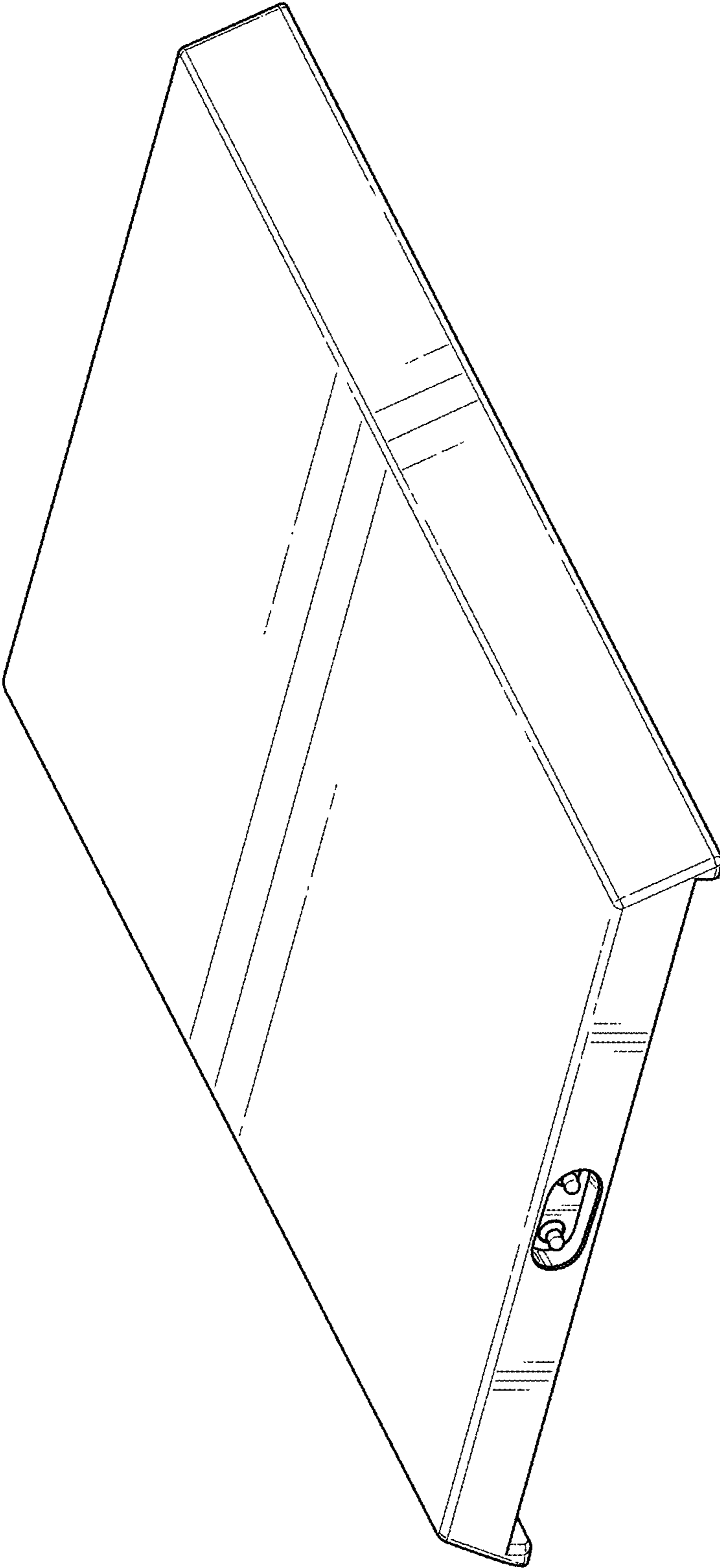


FIG. 2

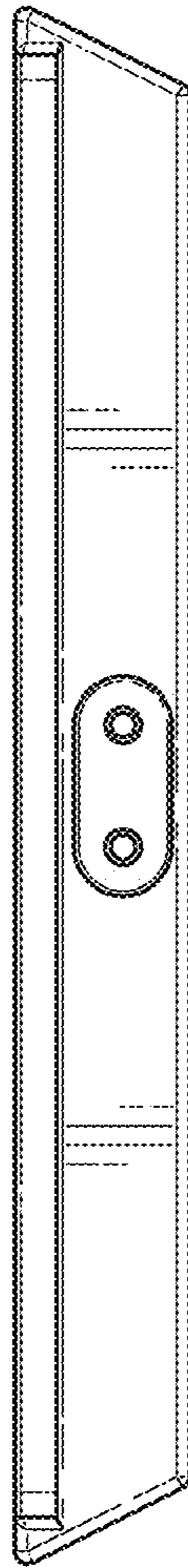


FIG. 3

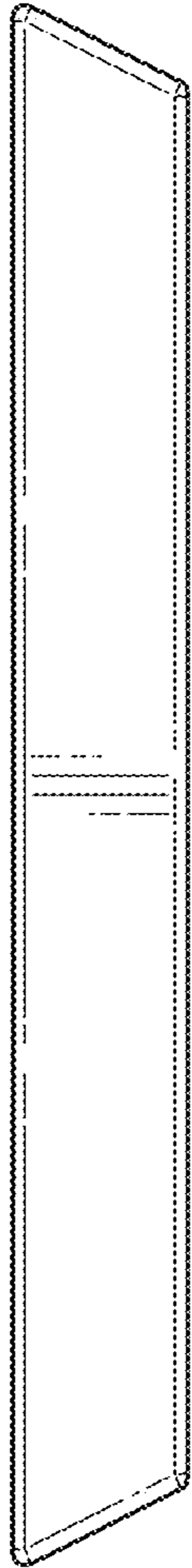


FIG. 4

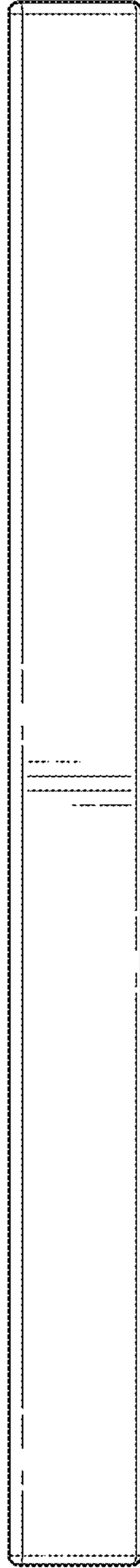


FIG. 5

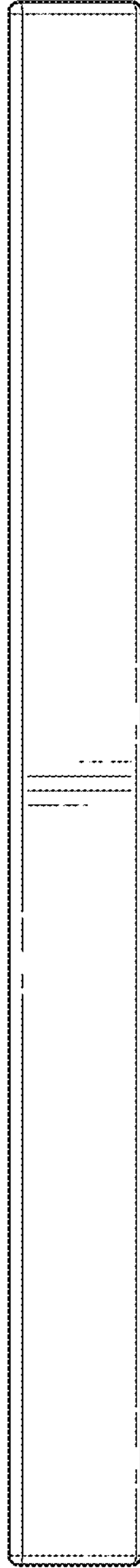


FIG. 6

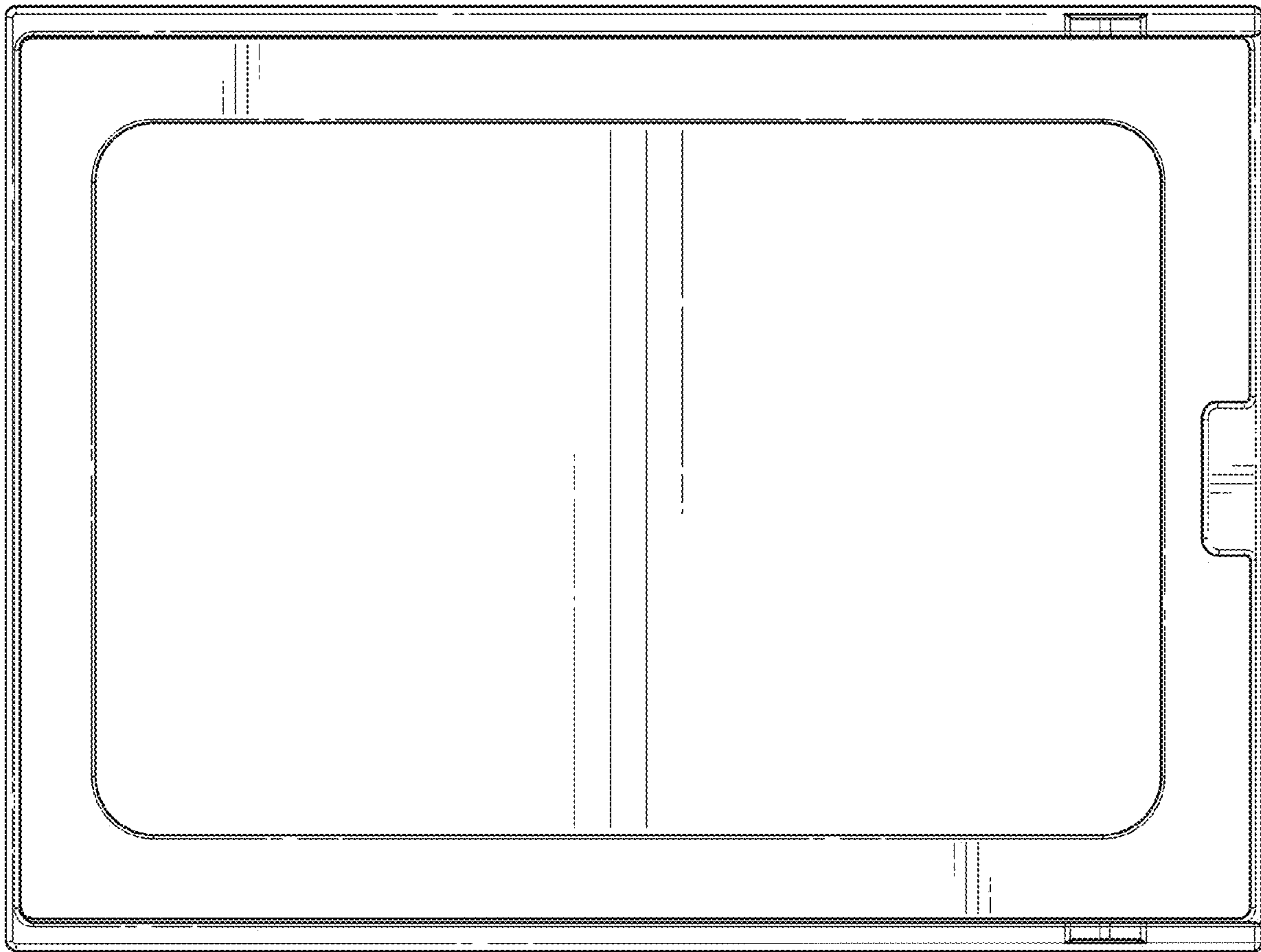


FIG. 7



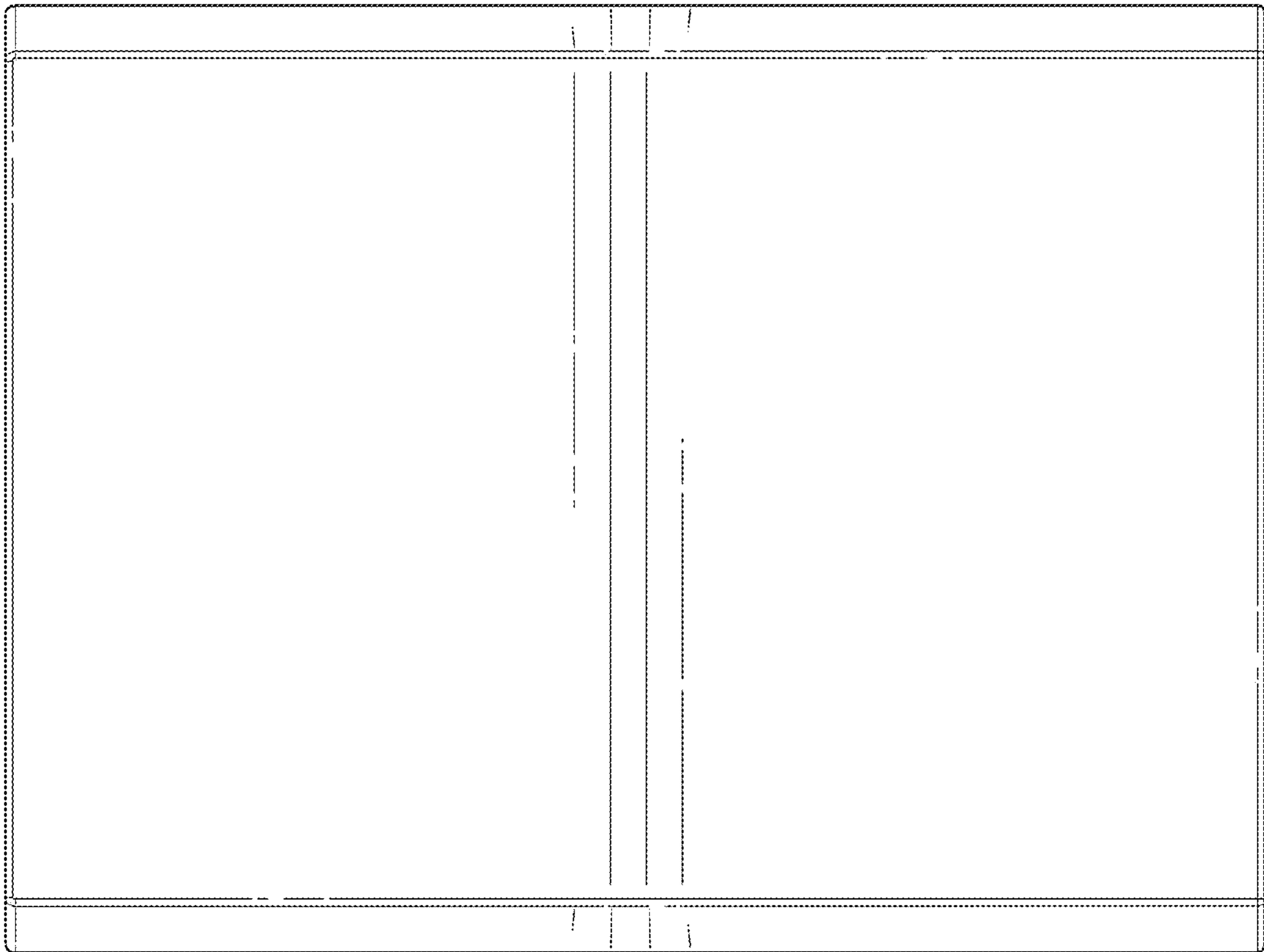


FIG. 8