



US00D906234S

(12) **United States Design Patent** (10) **Patent No.:** **US D906,234 S**  
**Bigdeli et al.** (45) **Date of Patent:** **\*\* Dec. 29, 2020**

(54) **BATTERY FOR AN ELECTRONIC DEVICE**

(71) Applicant: **Apple Inc.**, Cupertino, CA (US)

(72) Inventors: **Sina Bigdeli**, Saratoga, CA (US); **Lucy E. Browning**, San Francisco, CA (US); **Richard Hung Minh Dinh**, San Jose, CA (US); **Shayan Malek**, San Jose, CA (US); **Aaron H. Squier**, San Francisco, CA (US)

(73) Assignee: **Apple Inc.**, Cupertino, CA (US)

(\*\*) Term: **15 Years**

(21) Appl. No.: **29/660,993**

(22) Filed: **Aug. 23, 2018**

(51) **LOC (12) Cl.** ..... **13-02**

(52) **U.S. Cl.**  
USPC ..... **D13/103**

(58) **Field of Classification Search**  
USPC ..... D13/102–106, 110, 118–119, 184  
CPC ..... Y02E 60/12; Y02E 60/122; Y02E 60/124;  
Y02E 60/50; H01M 2/02; H01M 2/022;  
H01M 2/0202; H01M 2/0207; H01M  
2/0212; H01M 2/1061; H01M 2/1022;  
H01M 2/1055; H01M 2/1066; H01M  
2/105; H01M 2/204; H01M 2/1016;  
H01M 2200/00; H01M 10/4257; H01M  
10/0436; H01M 10/48; H01M 10/42  
See application file for complete search history.

(56) **References Cited**

**U.S. PATENT DOCUMENTS**

D337,984 S 8/1993 Lindahl  
D479,192 S \* 9/2003 Fujihara ..... D13/103  
6,884,540 B2 4/2005 Chikada  
D546,277 S 7/2007 Andre et al.  
7,871,720 B2 1/2011 Myers et al.

D677,620 S \* 3/2013 Corbin ..... D13/103  
D684,530 S \* 6/2013 Moon ..... D13/103  
D684,531 S 6/2013 Moon et al.  
D689,018 S \* 9/2013 Honda ..... D13/103  
D708,128 S 7/2014 Andre et al.  
D719,085 S 12/2014 Aoyagi et al.  
D719,087 S \* 12/2014 Bataillou ..... D13/103  
D729,805 S 5/2015 Bataillou et al.  
D734,256 S \* 7/2015 Leidel ..... D13/108  
D758,961 S 6/2016 Aoyagi et al.  
D763,192 S \* 8/2016 Tyler ..... D13/119  
D765,625 S 9/2016 Akana et al.  
D768,074 S \* 10/2016 Park ..... D13/103  
D768,566 S 10/2016 Andre et al.  
D830,964 S 10/2018 Aoyagi et al.  
D843,933 S \* 3/2019 Giddings ..... D13/103  
D843,934 S \* 3/2019 Tan ..... D13/103  
D852,737 S \* 7/2019 Andre ..... D13/103

(Continued)

*Primary Examiner* — Nathaniel D. Buckner

(74) *Attorney, Agent, or Firm* — Sterne, Kessler,  
Goldstein & Fox P.L.L.C.

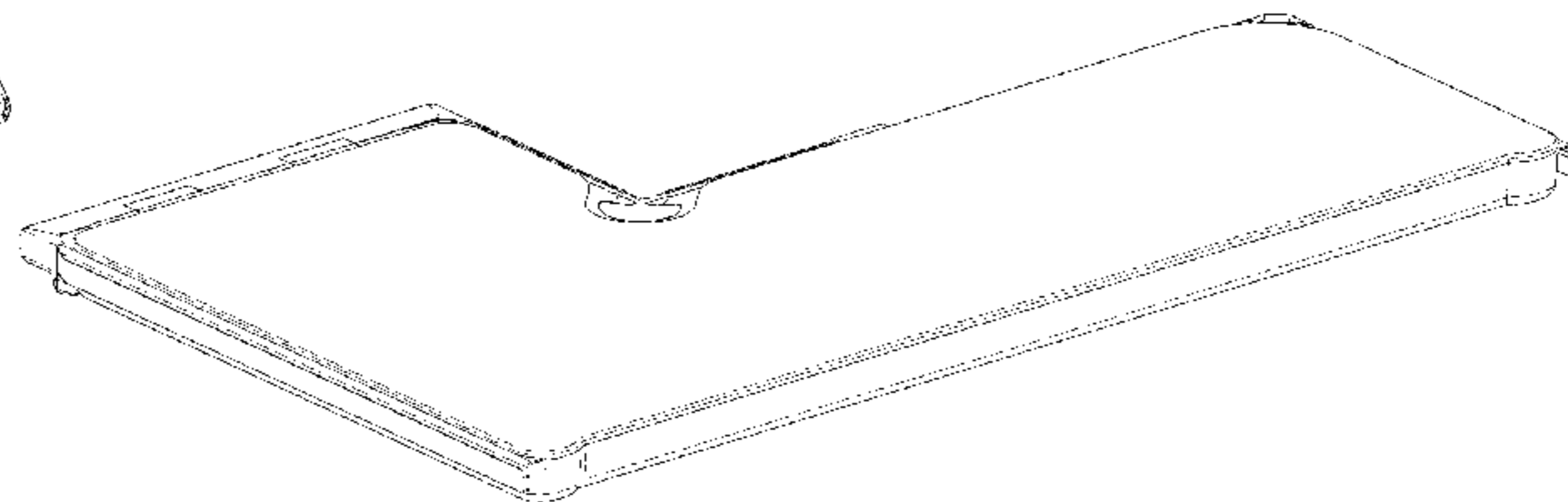
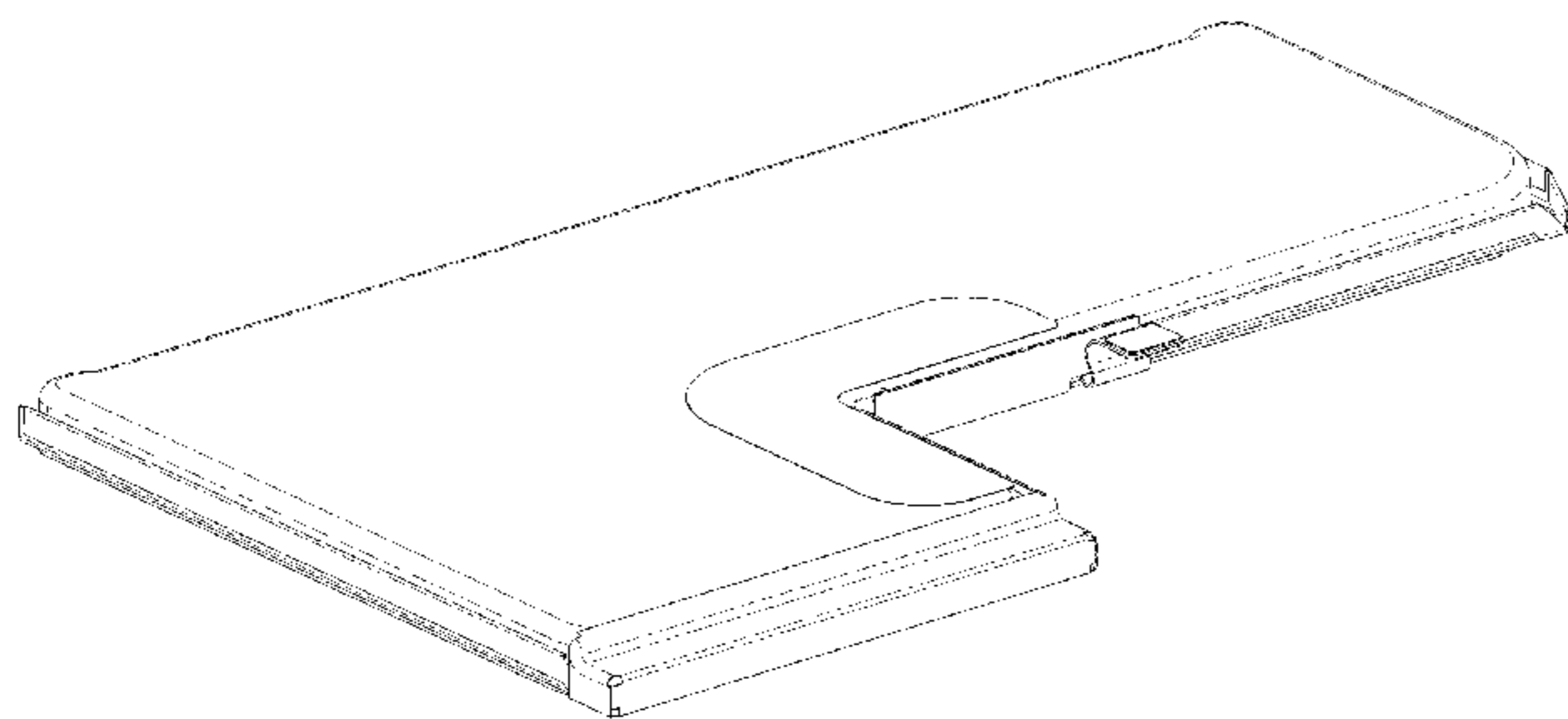
(57) **CLAIM**

The ornamental design for a battery for an electronic device,  
as shown and described.

**DESCRIPTION**

FIG. 1 is a bottom front perspective view of a battery for an  
electronic device showing the claimed design;  
FIG. 2 is a bottom rear perspective view thereof;  
FIG. 3 is a front view thereof;  
FIG. 4 is a rear view thereof;  
FIG. 5 is a left side view thereof;  
FIG. 6 is a right side view thereof;  
FIG. 7 is a top view thereof; and,  
FIG. 8 is a bottom view thereof.  
The broken lines in the figures show portions of the battery  
for an electronic device that form no part of the claimed  
design.

**1 Claim, 6 Drawing Sheets**



(56)

**References Cited**

U.S. PATENT DOCUMENTS

2009/0274953 A1\* 11/2009 Myers ..... H01M 2/02  
429/100  
2013/0143084 A1\* 6/2013 Kim ..... H01M 2/348  
429/90  
2014/0199575 A1 7/2014 Ryu et al.  
2015/0017514 A1 1/2015 Ahn et al.  
2016/0049696 A1 2/2016 Choi et al.

\* cited by examiner

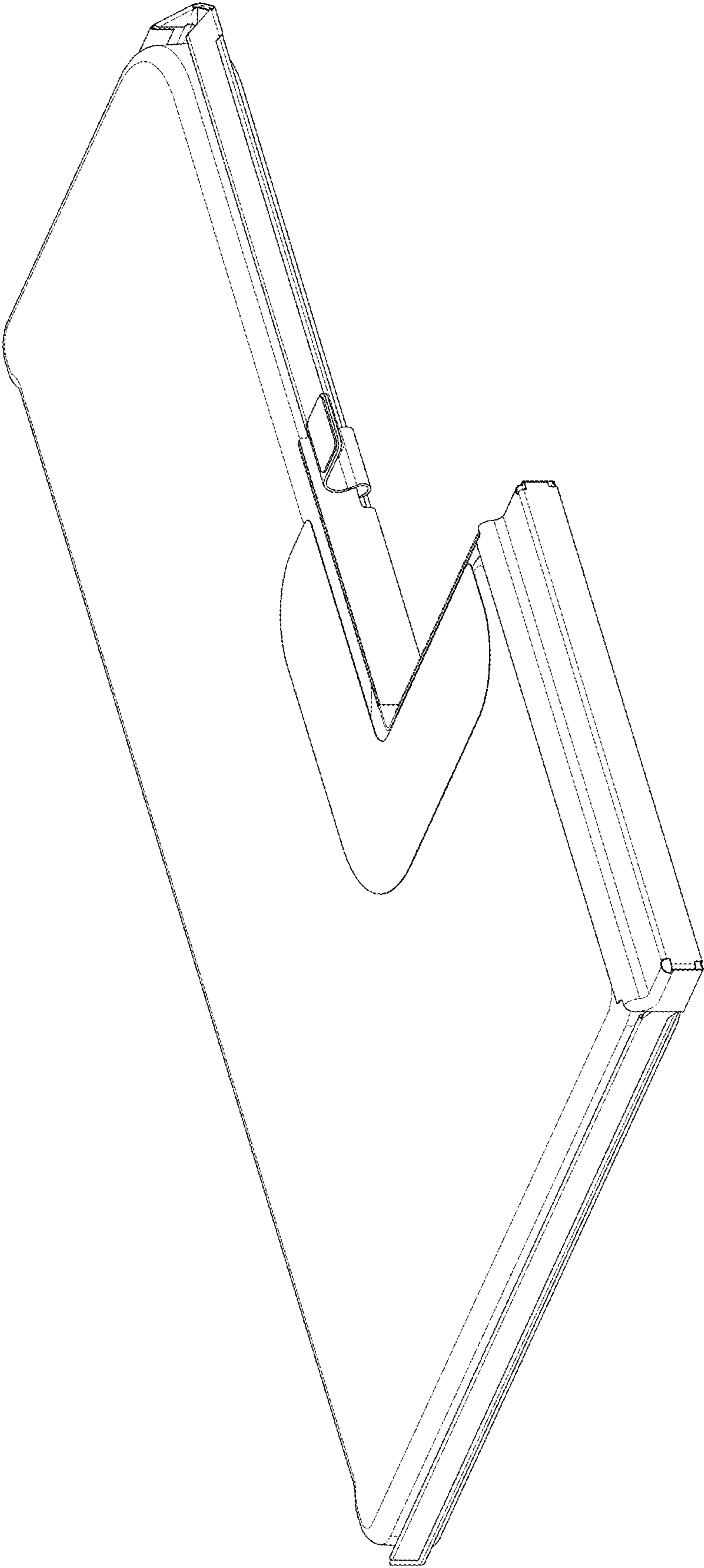


FIG. 1

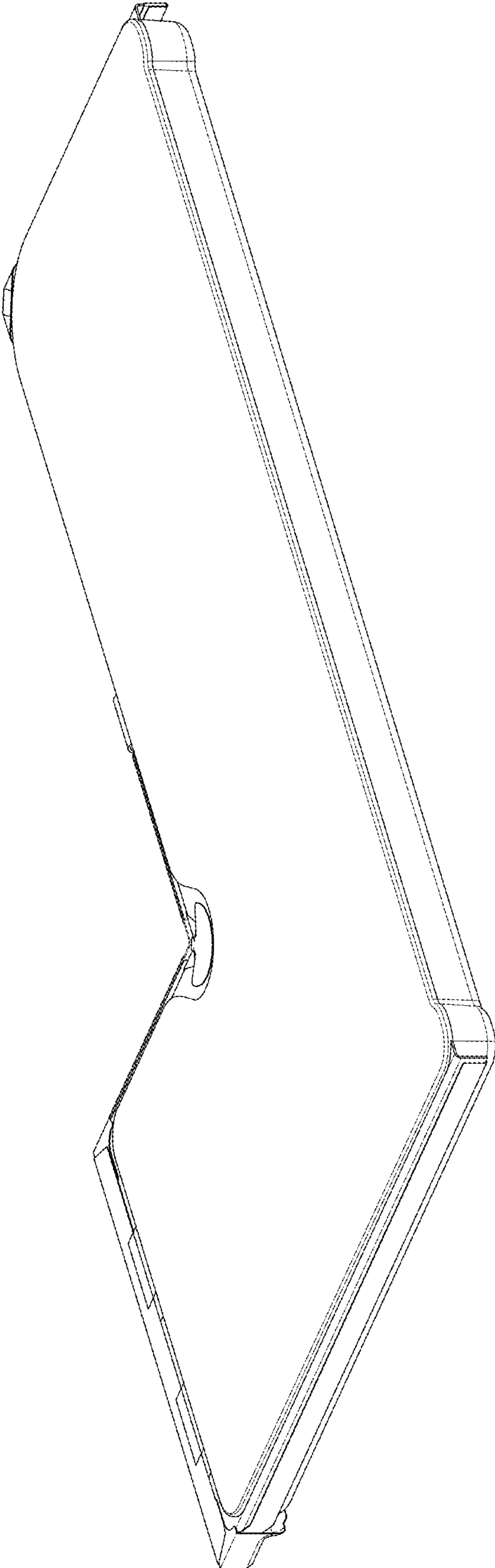


FIG. 2

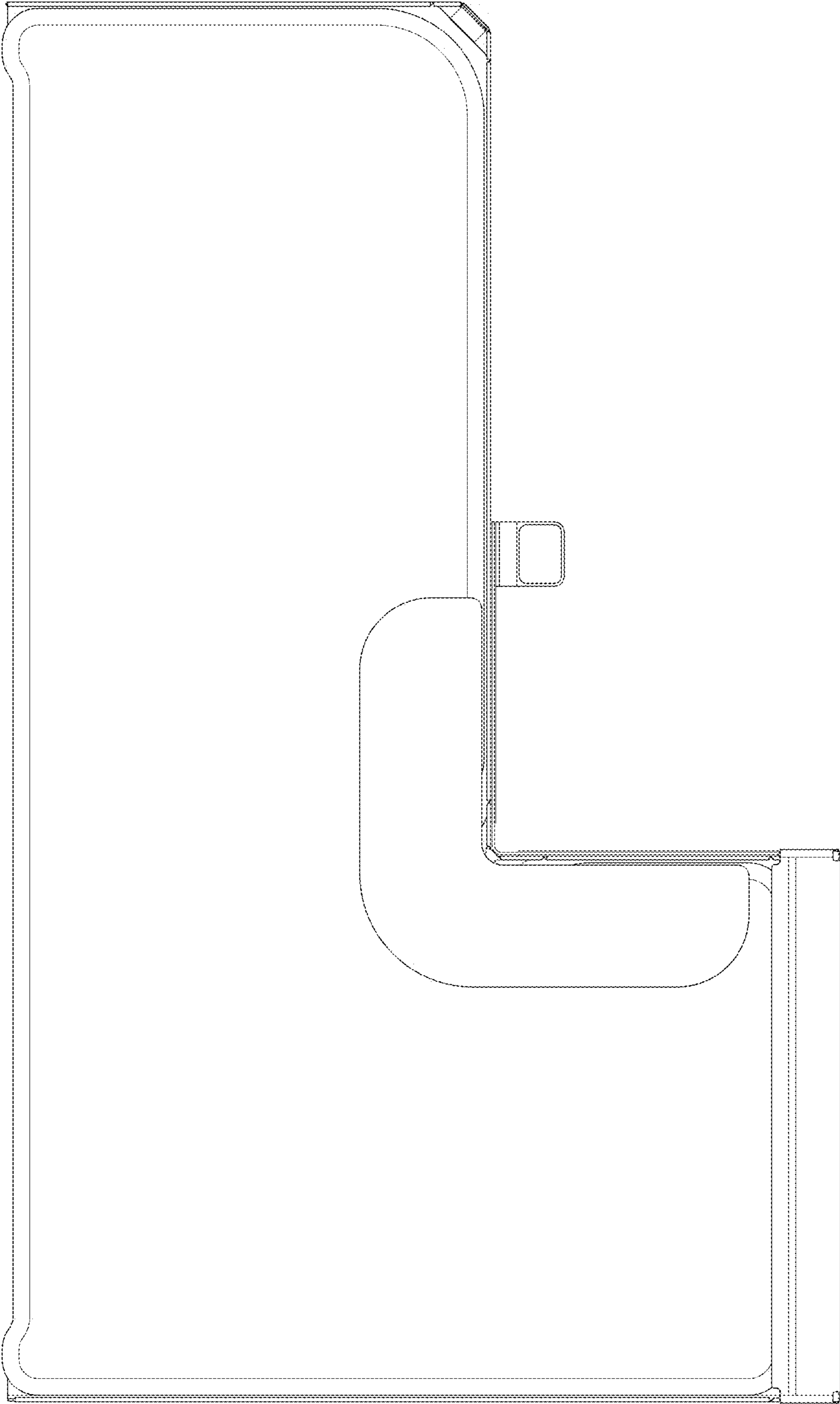


FIG. 3

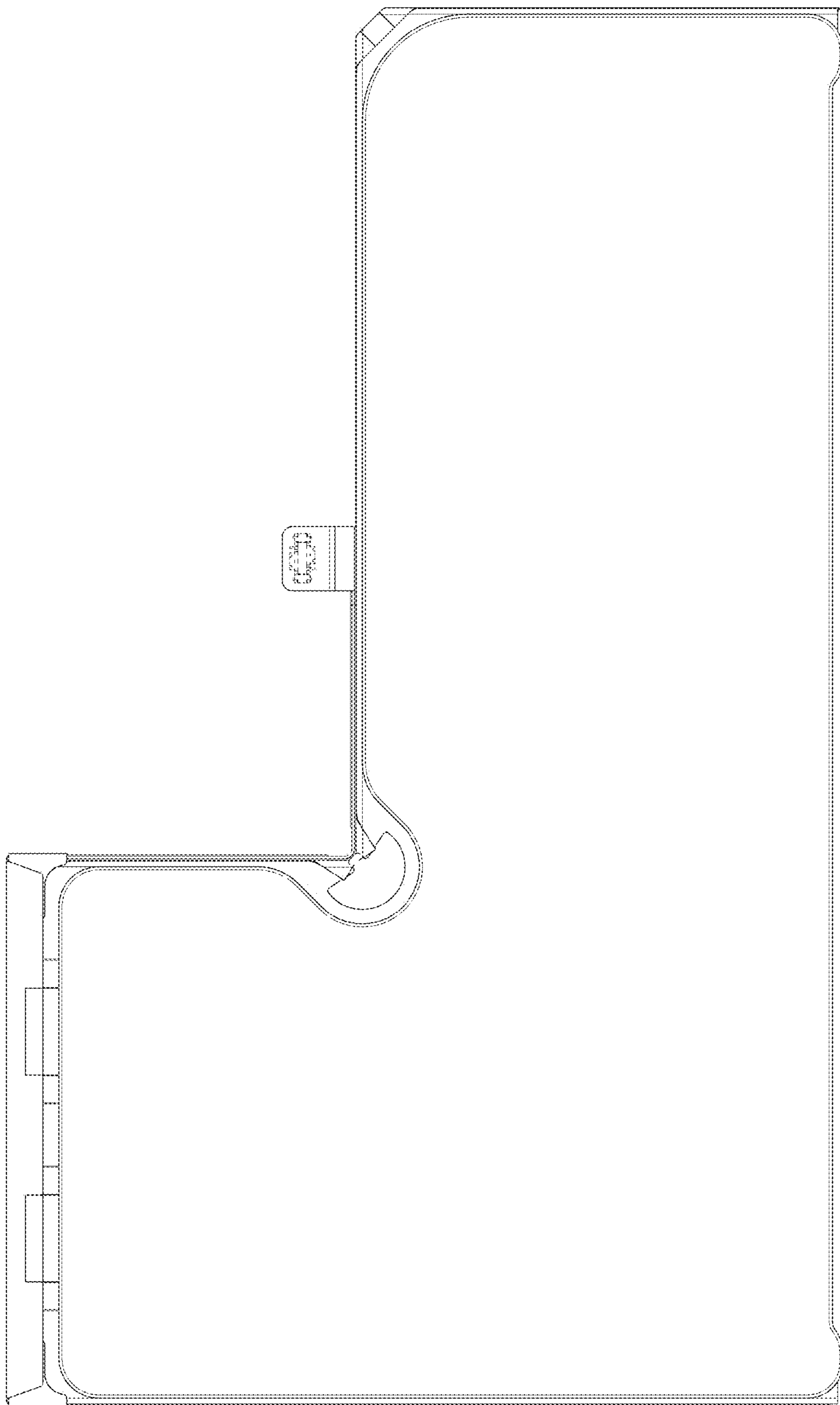


FIG. 4

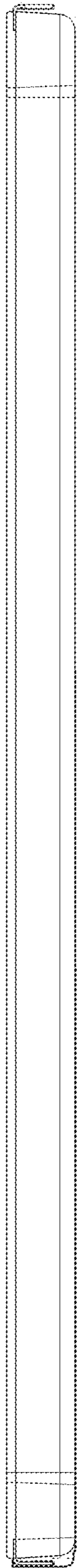


FIG. 5

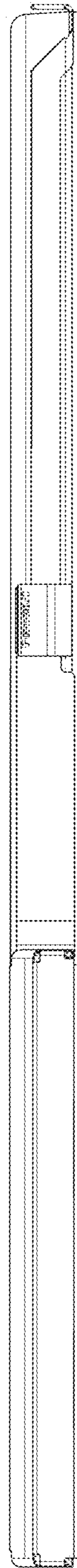
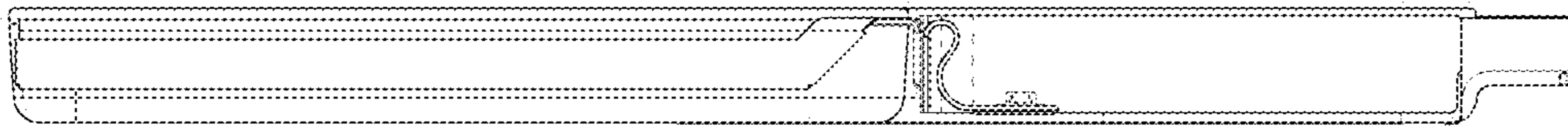
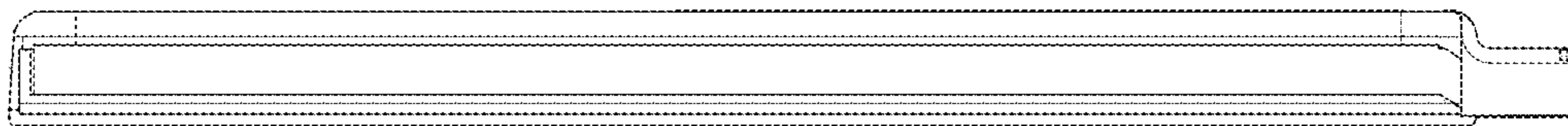


FIG. 6



**FIG. 7**



**FIG. 8**