



US00D906233S

(12) **United States Design Patent** (10) **Patent No.:** **US D906,233 S**
Sareen (45) **Date of Patent:** **** Dec. 29, 2020**

(54) **TIRE TREAD**
(71) Applicant: **Omni United (S) PTE Ltd.**, Singapore (SG)
(72) Inventor: **Gajendra Singh Sareen**, Singapore (SG)
(73) Assignee: **Omni United (S) PTE LTD**, Singapore (SG)

D662,462 S 6/2012 Youn
D662,463 S 6/2012 Youn
D666,138 S 8/2012 Fontaine
D666,551 S 9/2012 Schmidt-Zum Berge
D733,041 S 6/2015 Sareen
D740,210 S * 10/2015 Uphouse D12/595
D772,797 S * 11/2016 Ono D12/604
D786,785 S * 5/2017 Mathonet D12/595
D813,796 S 3/2018 Dixon
D886,724 S * 6/2020 Fox D12/595
D897,940 S * 10/2020 Hidalgo Vieira D12/588

* cited by examiner

(**) Term: **15 Years**

Primary Examiner — Robert M. Spear
(74) *Attorney, Agent, or Firm* — Hemingway & Hansen, LLP; D. Scott Hemingway; Elizabeth Hartman

(21) Appl. No.: **29/696,085**

(22) Filed: **Jun. 25, 2019**

(51) **LOC (12) Cl.** **12-15**

(52) **U.S. Cl.**
USPC **D12/595**

(58) **Field of Classification Search**
USPC D12/579, 580, 586, 587, 588, 594, 595, D12/600, 601
CPC .. B60C 11/0306; B60C 11/0309; B60C 11/04
See application file for complete search history.

(57) **CLAIM**

The ornamental design for a tire tread, as shown and described.

DESCRIPTION

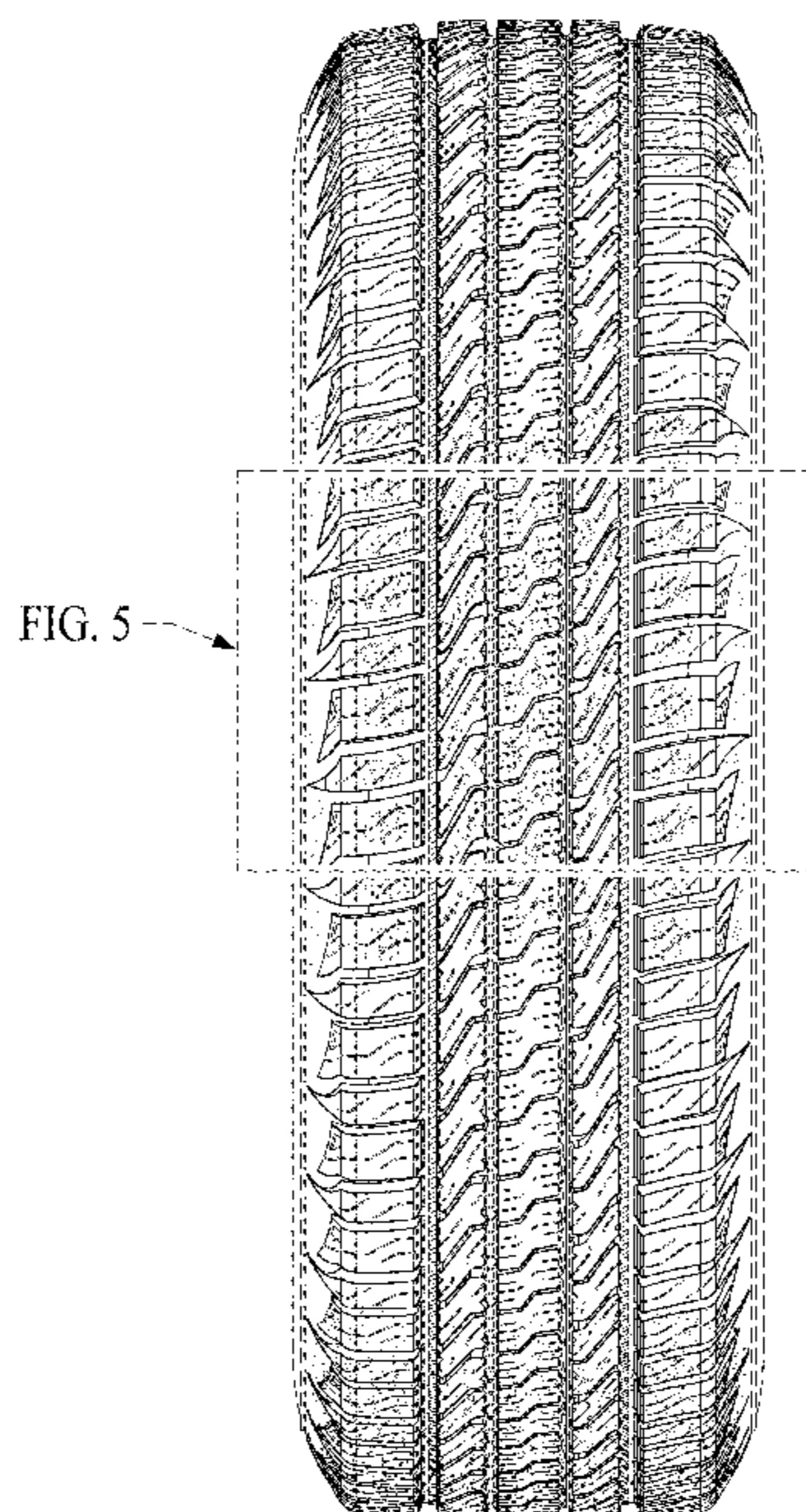
FIG. 1 is a front perspective view of a tire tread of the present application;
FIG. 2 is a front elevation view thereof;
FIG. 3 is a right side view thereof, with the left side view being identical thereof;
FIG. 4 is an enlarged front perspective view of FIG. 1, showing a portion thereof;
FIG. 5 is an enlarged front elevation view of FIG. 2, showing a portion thereof; and,
FIG. 6 is an enlarged side view of FIG. 3, showing a portion thereof.
In the drawings, the broken lines depict environmental subject matter only and form no part of the claimed design. The tread pattern is understood to repeat throughout the circumference of the tire.

(56) **References Cited**

U.S. PATENT DOCUMENTS

D350,095 S 8/1994 Anderson
D375,064 S 10/1996 McKisson
D448,707 S * 10/2001 Maziarka D12/595
D490,050 S 5/2004 Kindig
D597,023 S 7/2009 Park
D627,713 S 11/2010 Le
D653,199 S 1/2012 Scheuren
D656,889 S 4/2012 Grolier
D657,302 S 4/2012 Durand
D661,642 S 6/2012 Krupa
D662,456 S 6/2012 Corsi
D662,459 S 6/2012 Kojima

1 Claim, 6 Drawing Sheets



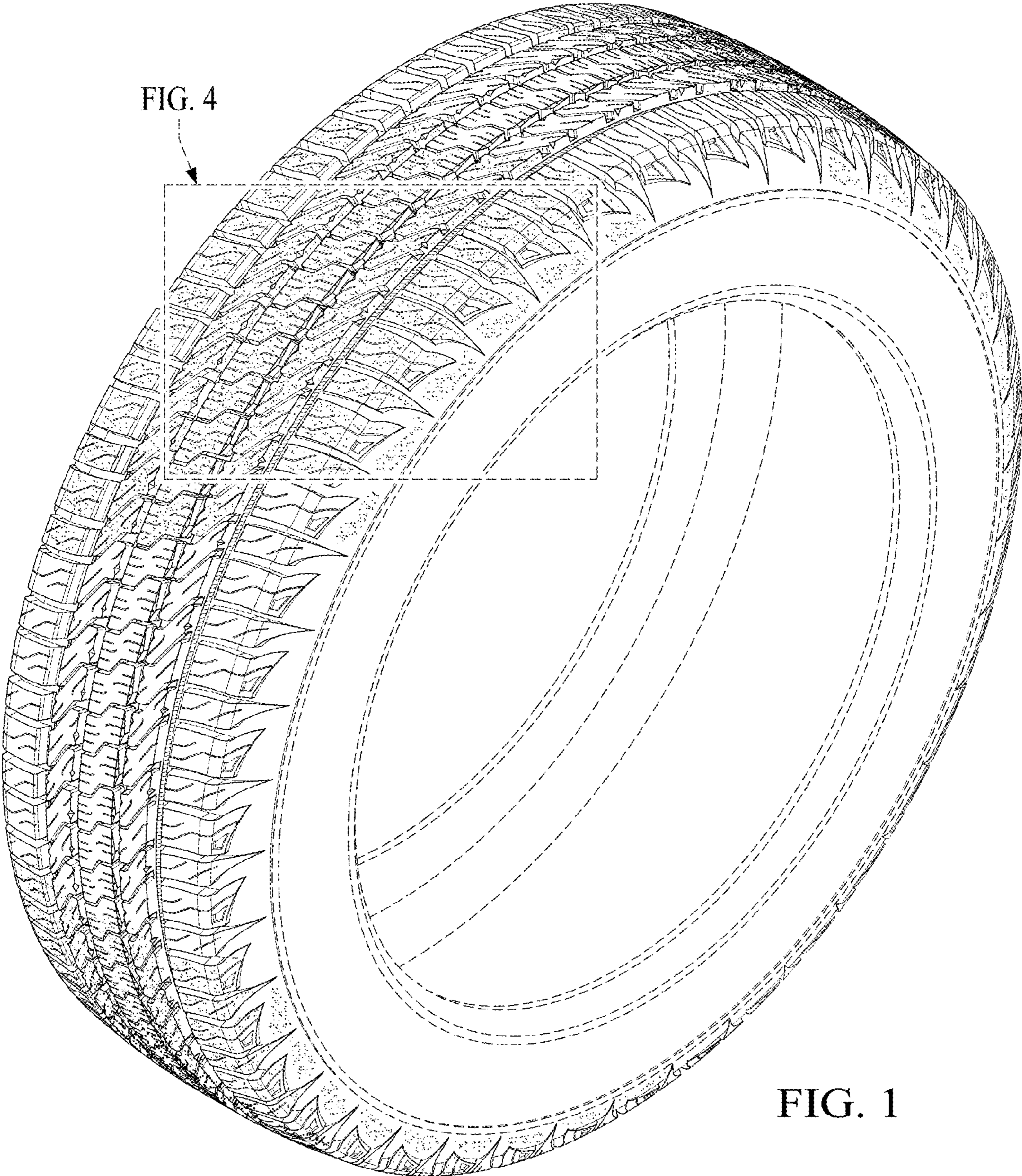


FIG. 4

FIG. 1

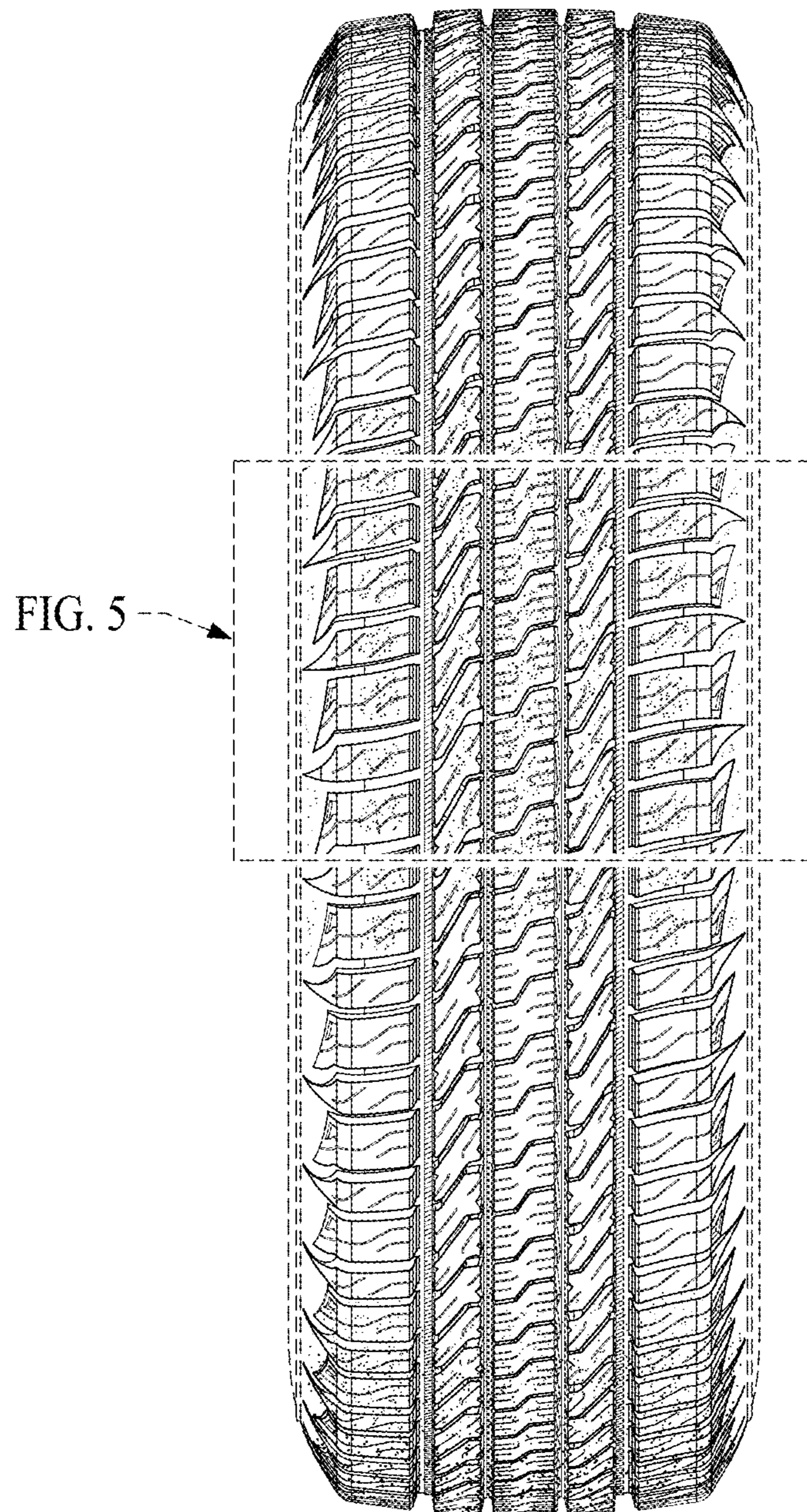


FIG. 2

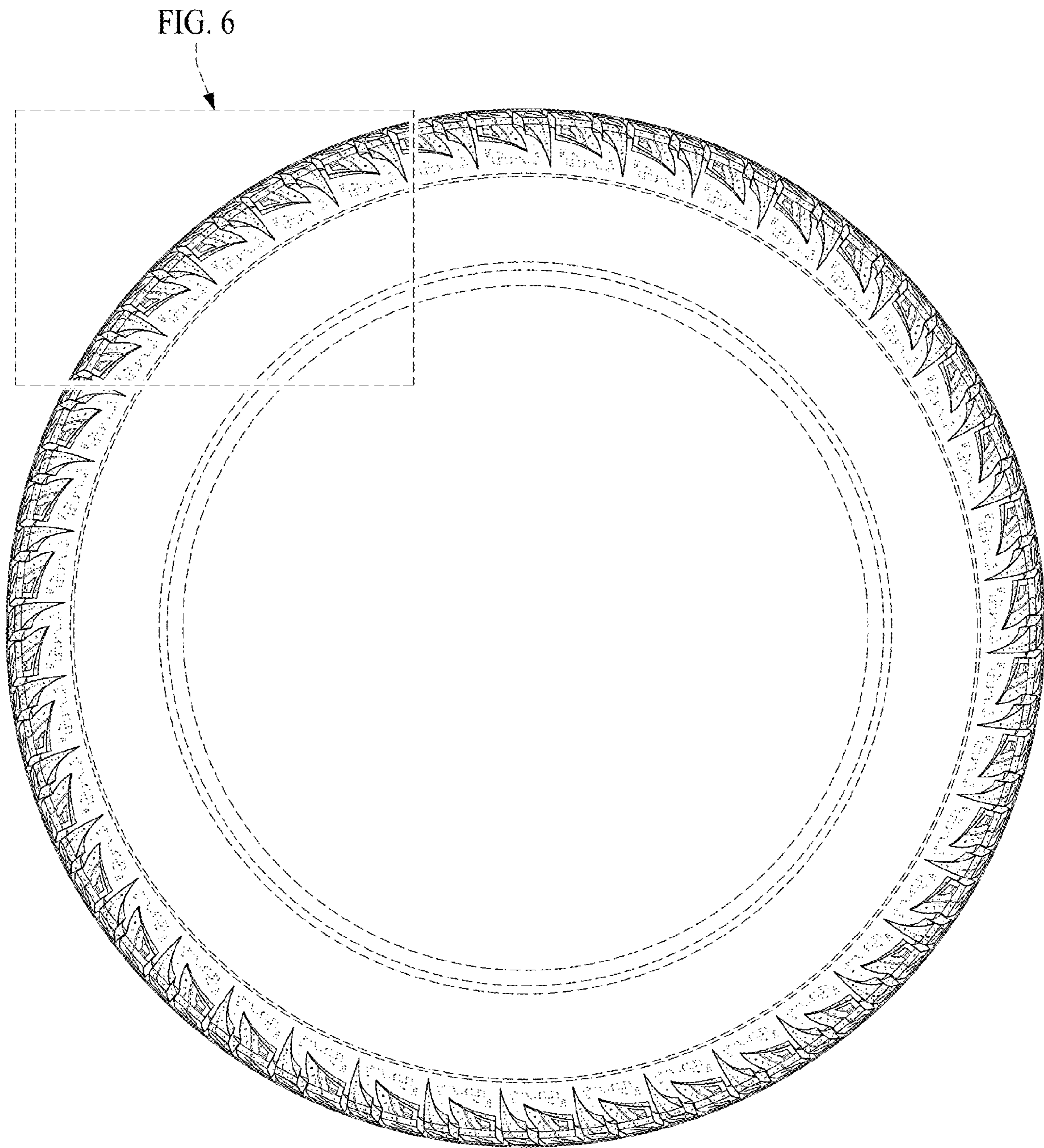


FIG. 3

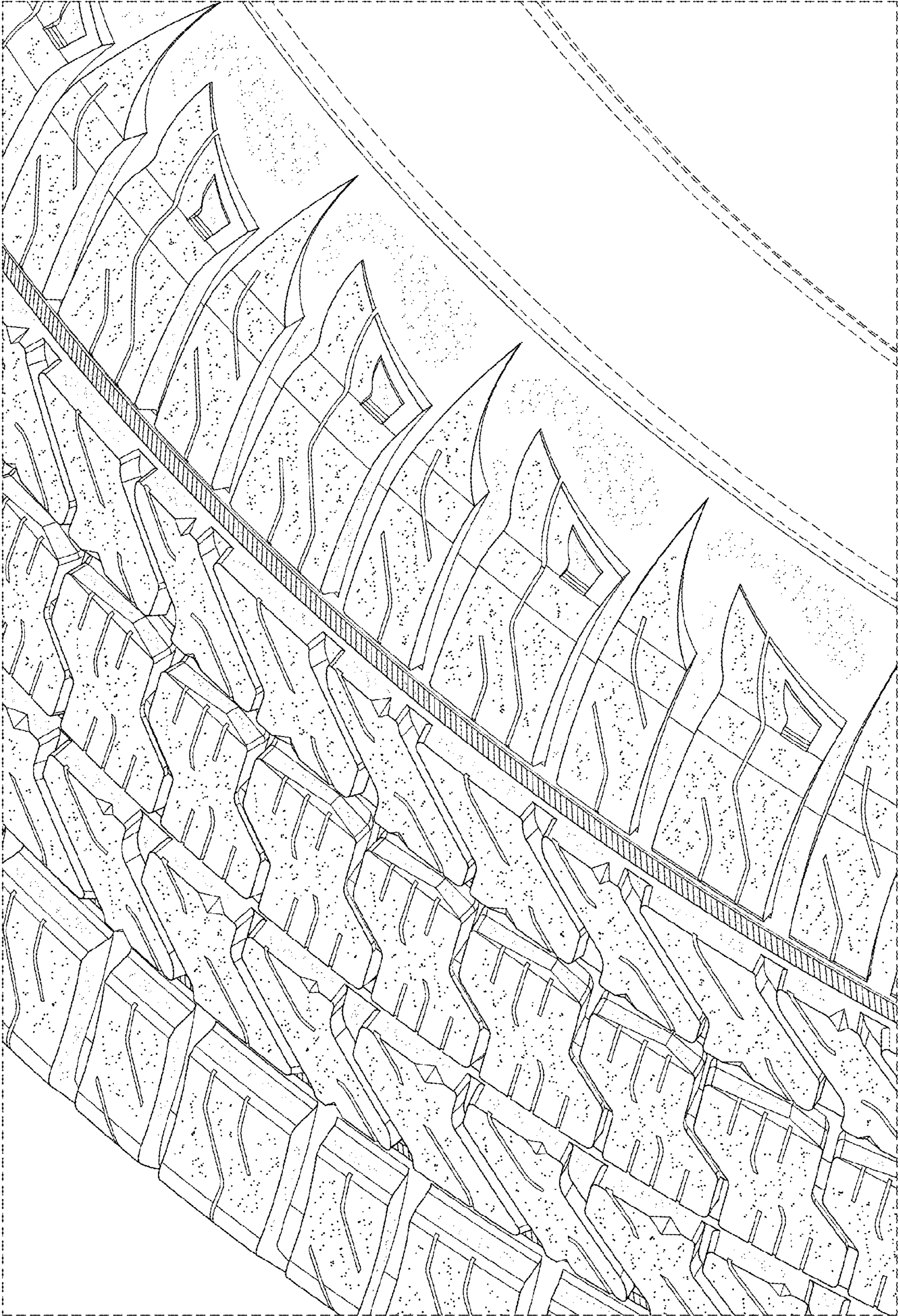


FIG. 4

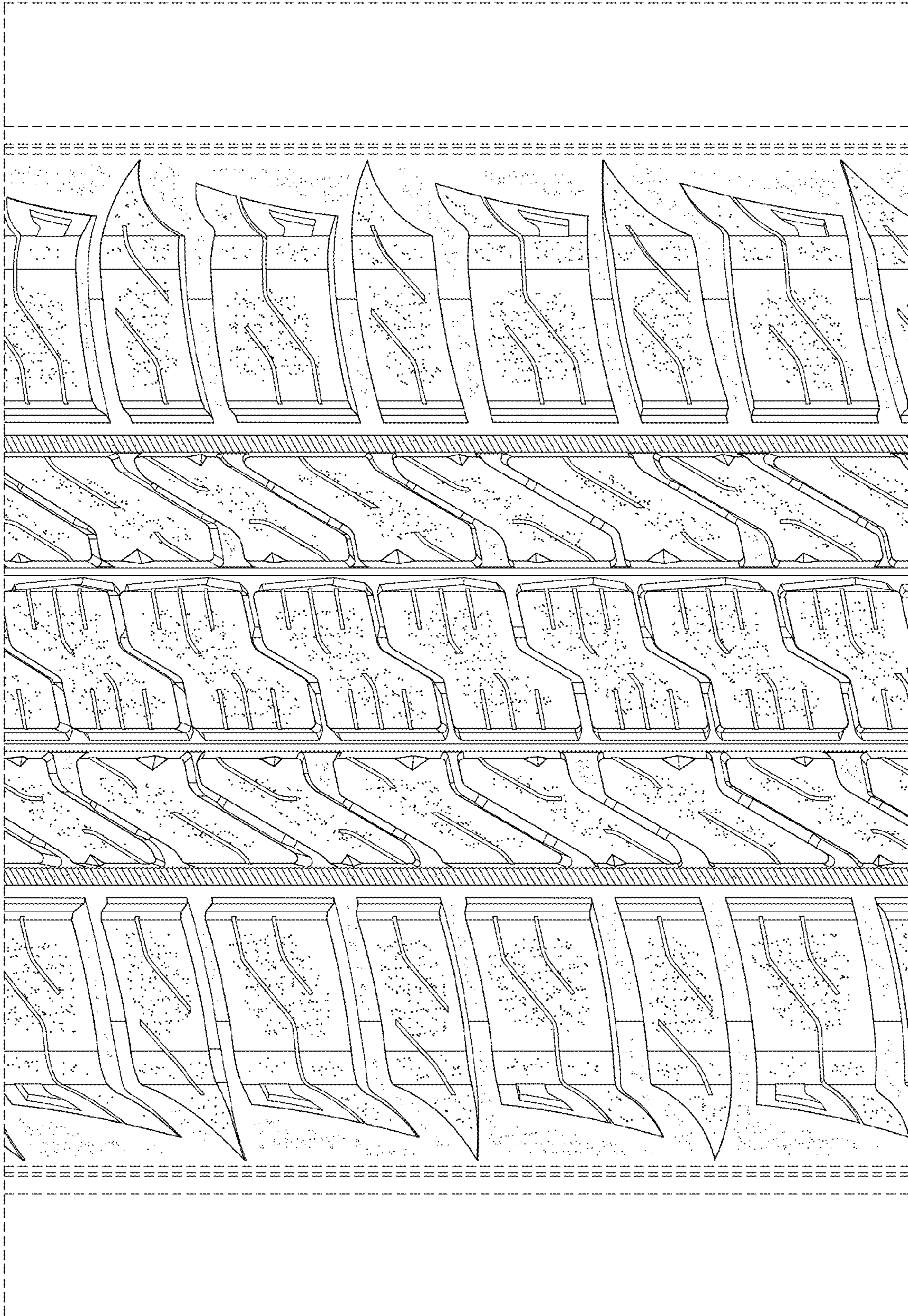


FIG. 5

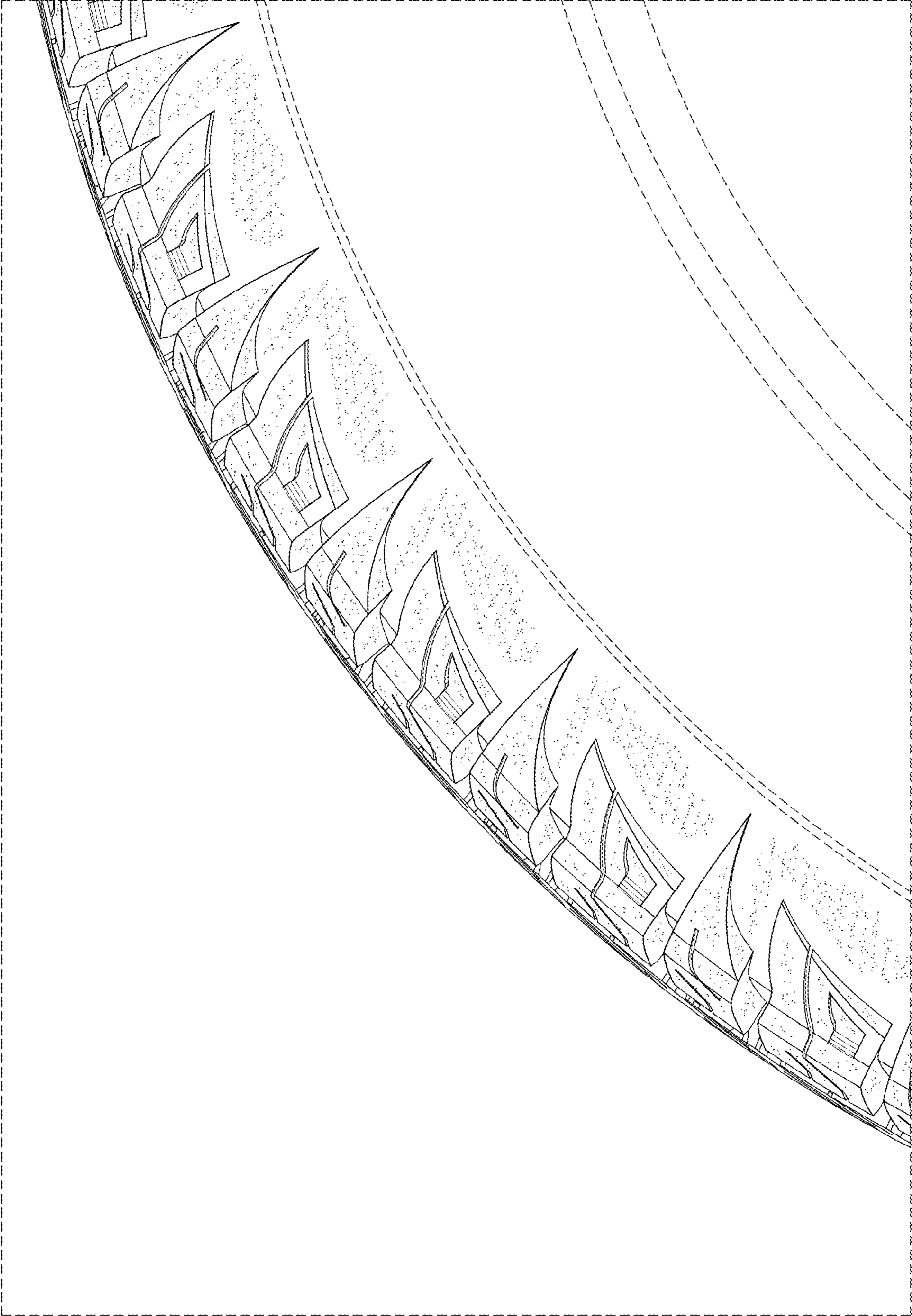


FIG. 6