



US00D906231S

(12) **United States Design Patent** (10) **Patent No.:** **US D906,231 S**
Sareen (45) **Date of Patent:** **** Dec. 29, 2020**

(54) **TIRE TREAD**
(71) Applicant: **Omni United (S) PTE Ltd.**, Singapore (SG)
(72) Inventor: **Gajendra Singh Sareen**, Singapore (SG)
(73) Assignee: **Omni United (S) PTE LTD.**, Singapore (SG)

D762,562 S * 8/2016 Bonifas D12/579
D770,970 S * 11/2016 Kuwano D12/594
D773,385 S * 12/2016 Kuwano D12/594
D813,796 S 3/2018 Dixon
D862,373 S * 10/2019 Zhao D12/579

(Continued)

Primary Examiner — Robert M. Spear
(74) *Attorney, Agent, or Firm* — Hemingway & Hansen, LLP; D. Scott Hemingway; Elizabeth Hartman

(**) Term: **15 Years**
(21) Appl. No.: **29/702,570**

(57) **CLAIM**
The ornamental design for a tire tread, as shown and described.

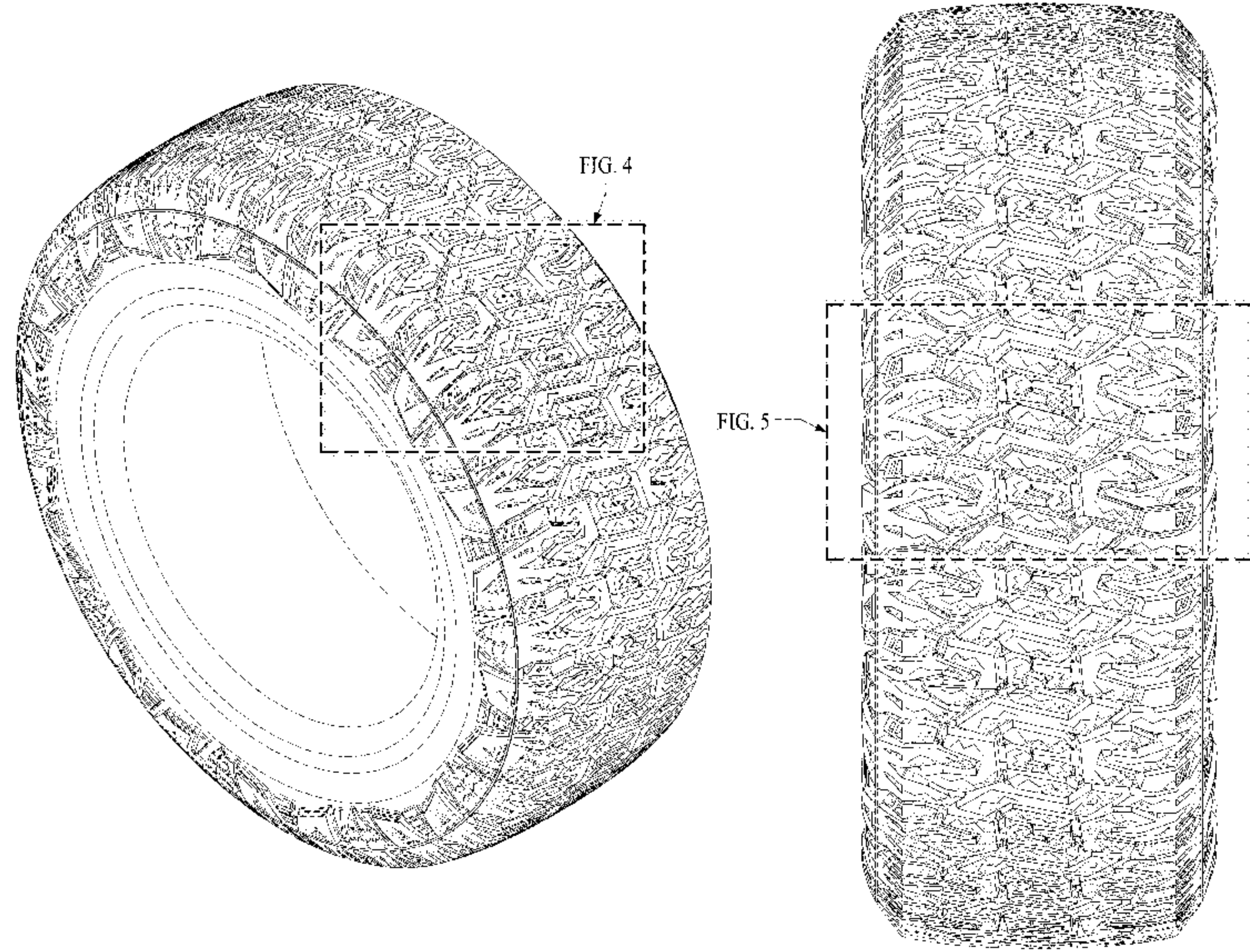
(22) Filed: **Aug. 20, 2019**
(51) **LOC (12) Cl.** **12-15**
(52) **U.S. Cl.**
USPC **D12/579**
(58) **Field of Classification Search**
USPC D12/579, 580, 593, 596, 600, 602;
D21/433, 548, 581
CPC B60C 11/0306; B60C 11/11
See application file for complete search history.

DESCRIPTION

FIG. 1 is a front perspective view of a tire tread of the present application;
FIG. 2 is a front elevation view thereof;
FIG. 3 is a front view thereof,
FIG. 4 is an enlarged front perspective view of FIG. 1, showing a portion thereof;
FIG. 5 is an enlarged front elevation view of FIG. 2, showing a portion thereof;
FIG. 6 is an enlarged front view of FIG. 3, showing a portion thereof;
FIG. 7 is a rear perspective view thereof;
FIG. 8 is a rear elevation view thereof;
FIG. 9 is rear view thereof;
FIG. 10 is an enlarged rear perspective view of FIG. 7, showing a portion thereof;
FIG. 11 is an enlarged rear elevation view of FIG. 8, showing a portion thereof; and,
FIG. 12 is an enlarged rear view of FIG. 9, showing a portion thereof.
In the drawings, the broken lines depict environmental subject matter only and form no part of the claimed design. The tread pattern is understood to repeat throughout the circumference of the tire.

(56) **References Cited**
U.S. PATENT DOCUMENTS
D350,095 S 8/1994 Anderson
D375,064 S 10/1996 McKisson
D490,050 S 5/2004 Kindig
D597,023 S 7/2009 Park
D627,713 S 11/2010 Le
D653,199 S 1/2012 Scheuren
D656,889 S 4/2012 Grolier
D657,302 S 4/2012 Durand
D661,642 S 6/2012 Krupa
D662,456 S 6/2012 Corsi
D662,459 S 6/2012 Kojima
D662,462 S 6/2012 Youn
D662,463 S 6/2012 Youn
D666,138 S 8/2012 Fontaine
D666,551 S 9/2012 Schmidt-Zum Berge
D733,041 S 6/2015 Sareen

1 Claim, 12 Drawing Sheets



(56)

References Cited

U.S. PATENT DOCUMENTS

D873,762 S * 1/2020 Sareen D12/579
D886,031 S * 6/2020 Geng D12/579

* cited by examiner

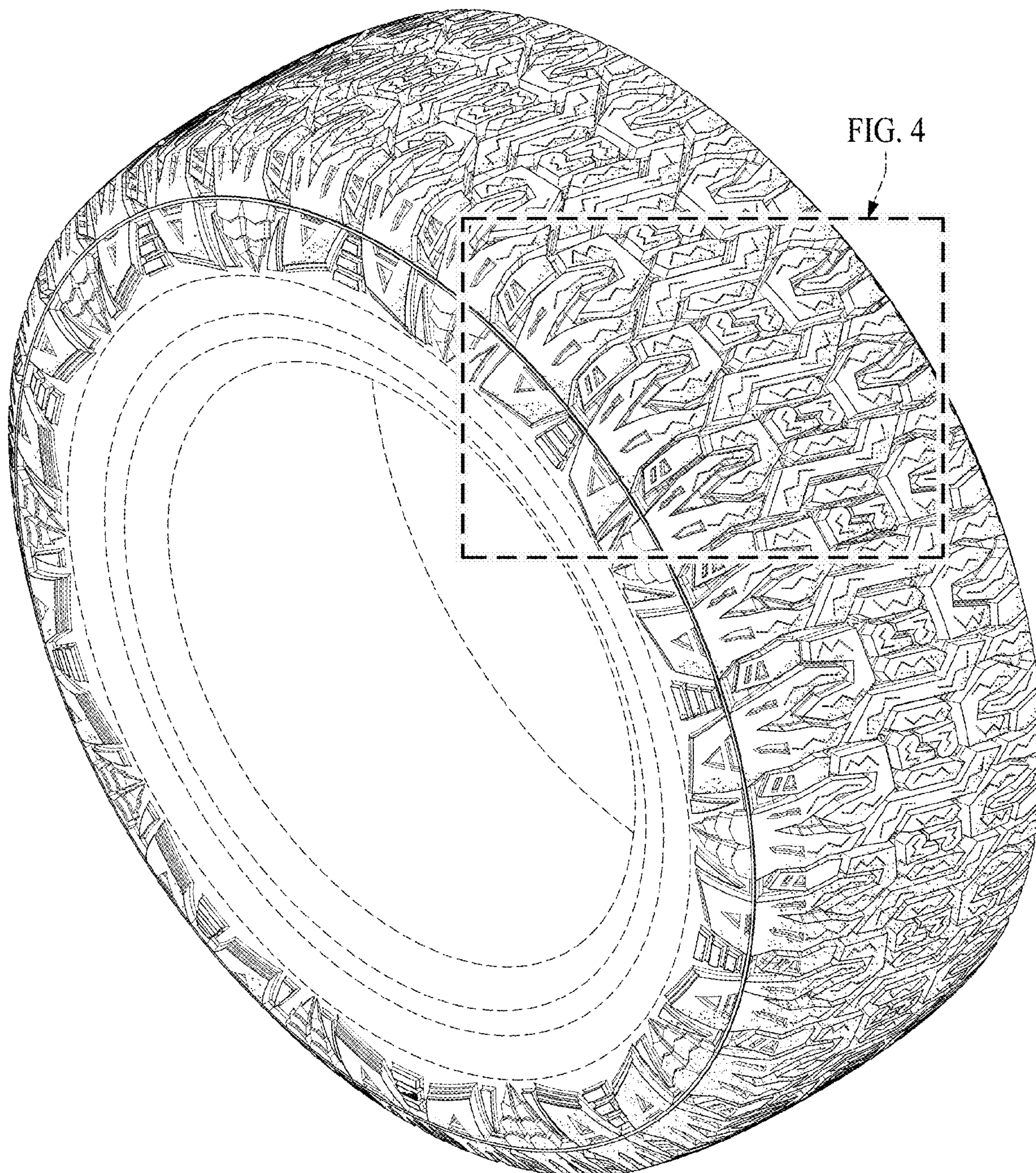


FIG. 1

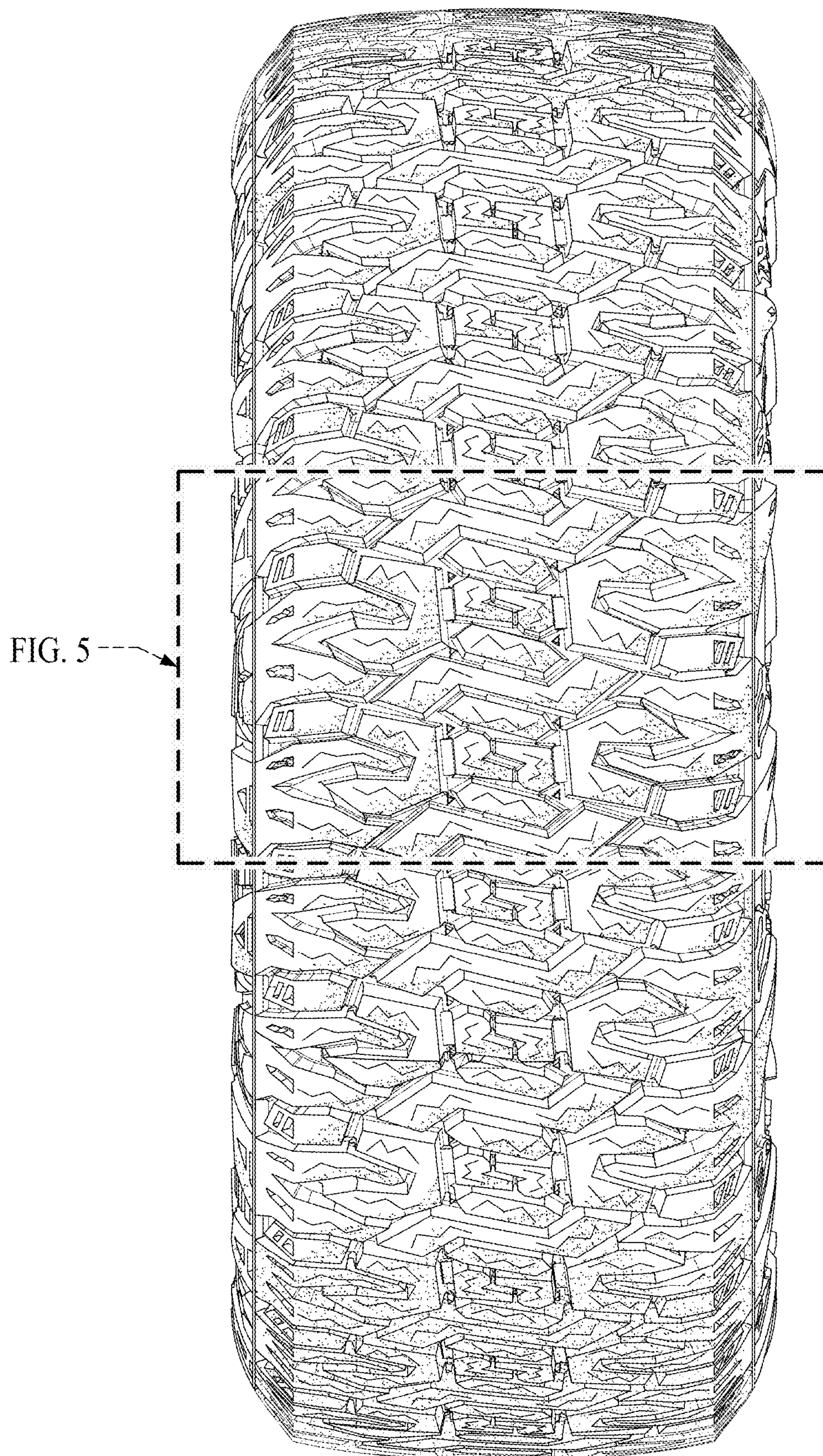


FIG. 2

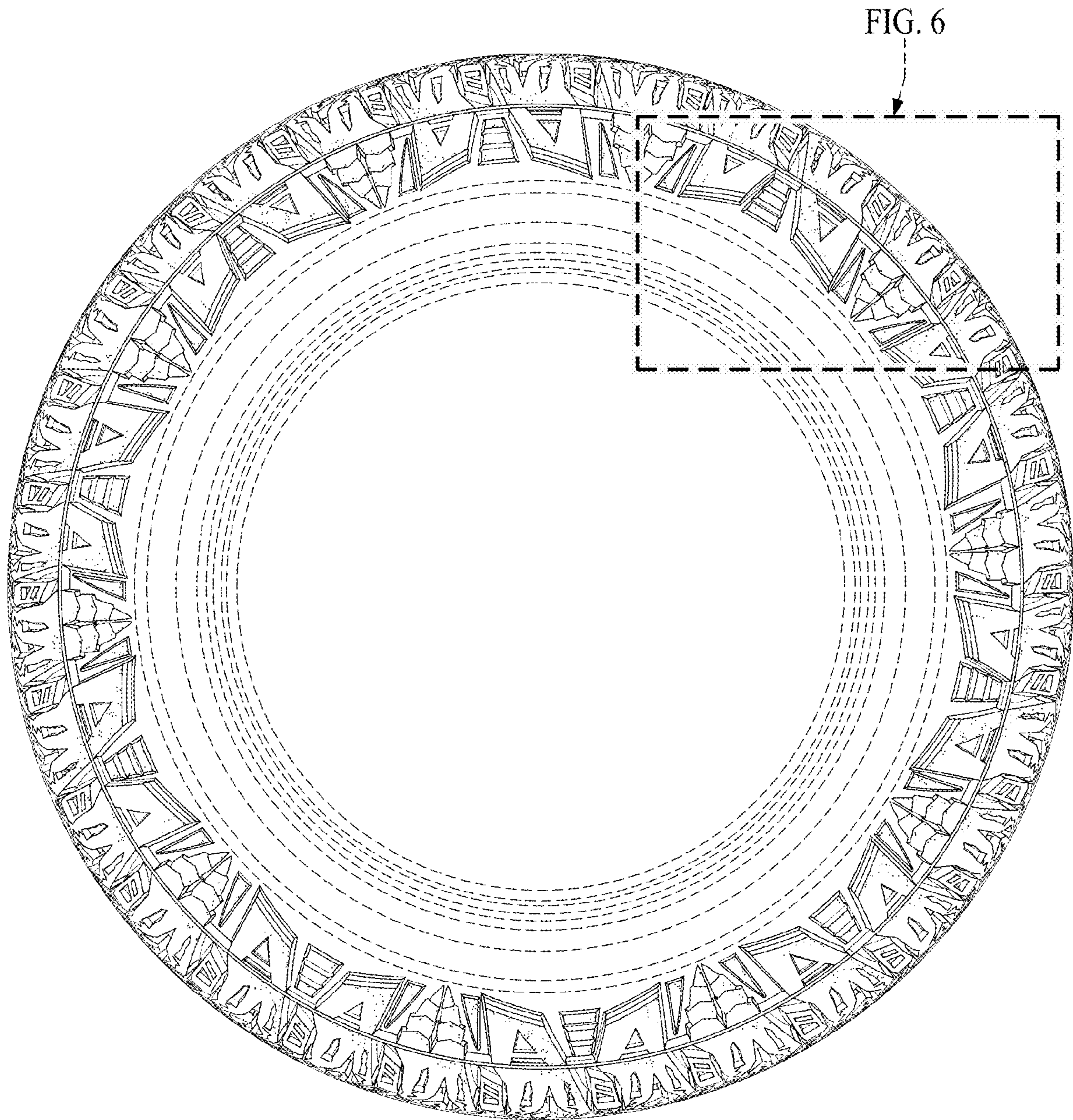


FIG. 3

FIG. 6

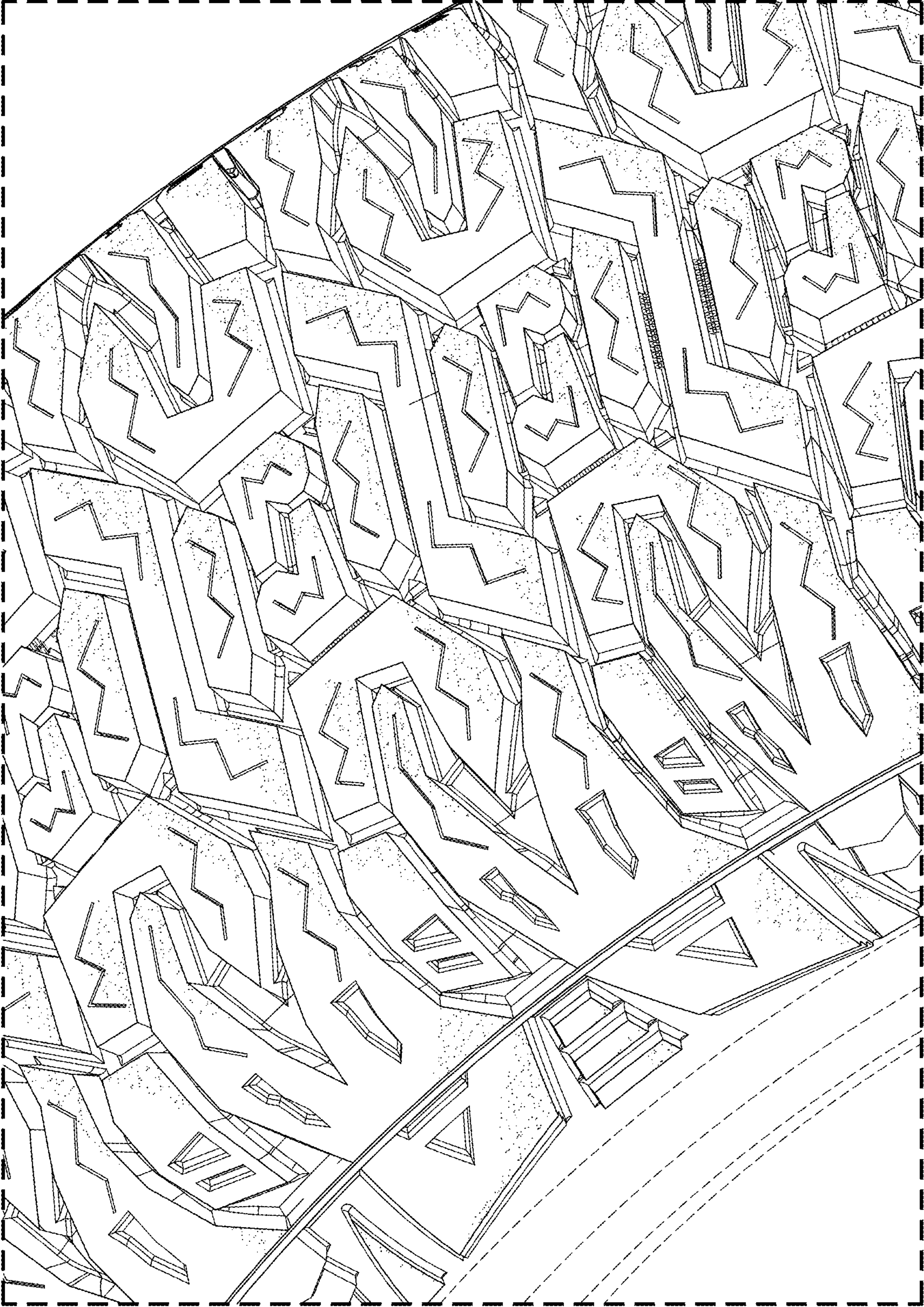


FIG. 4

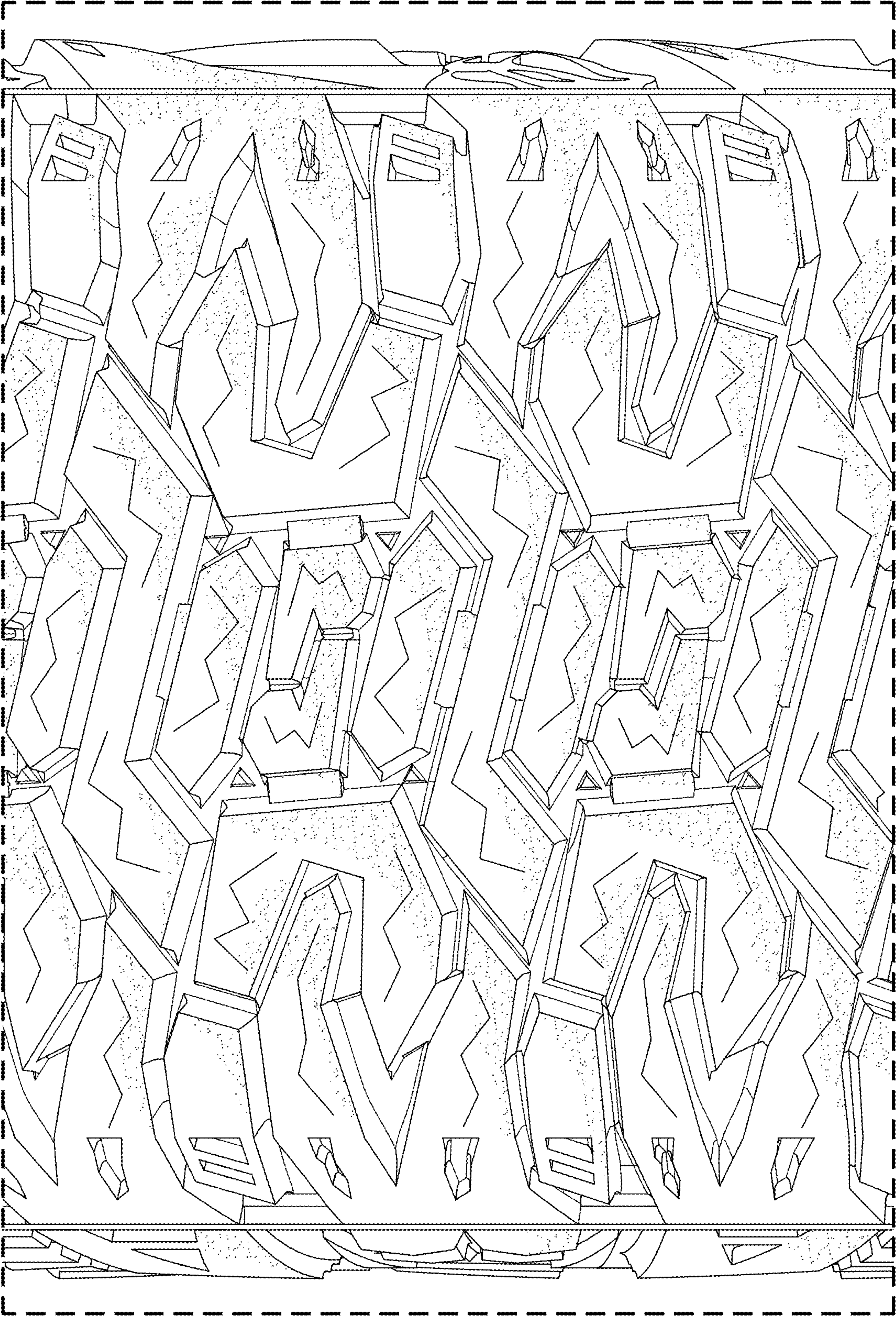


FIG. 5

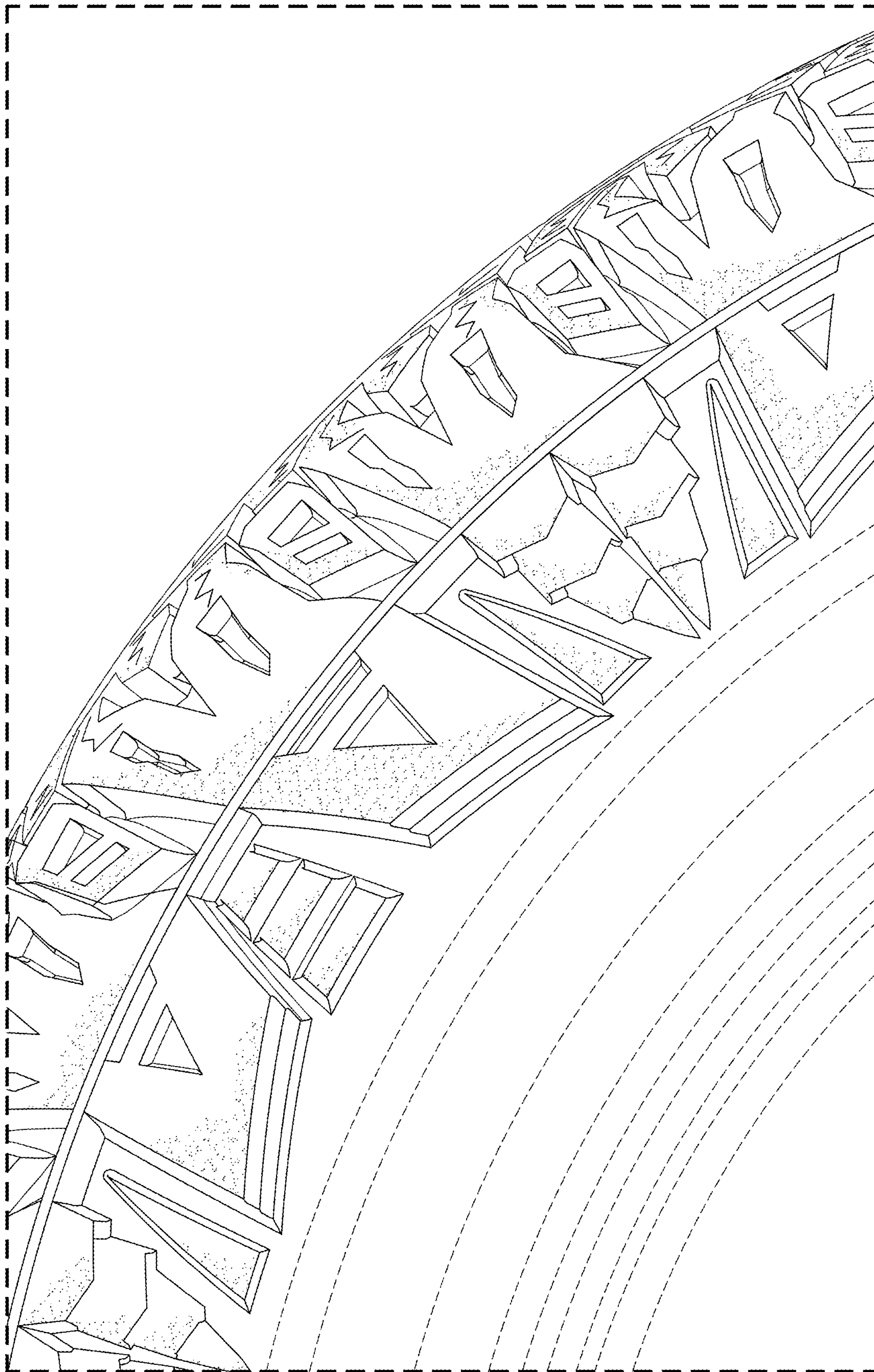


FIG. 6

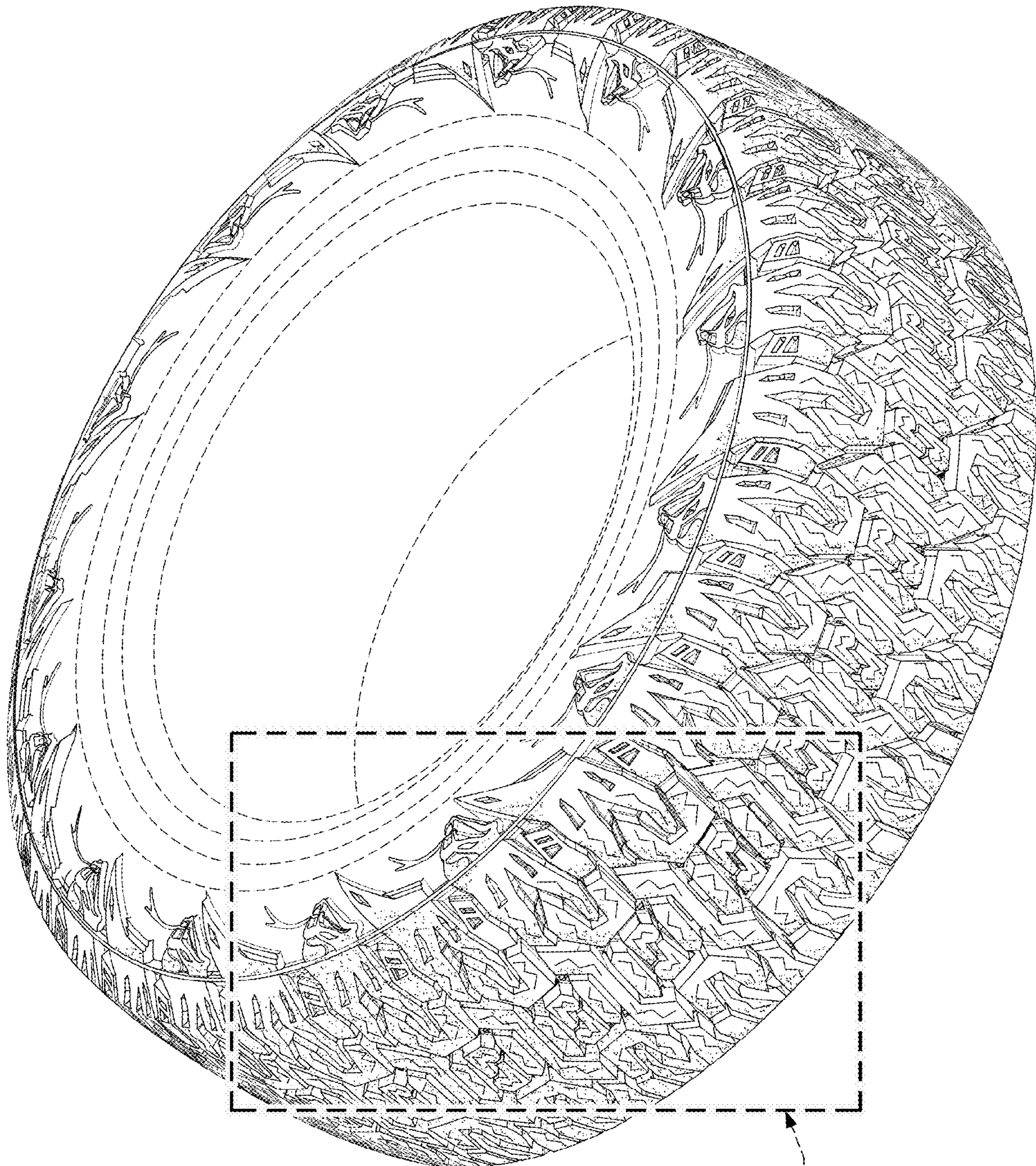


FIG. 7

FIG. 10

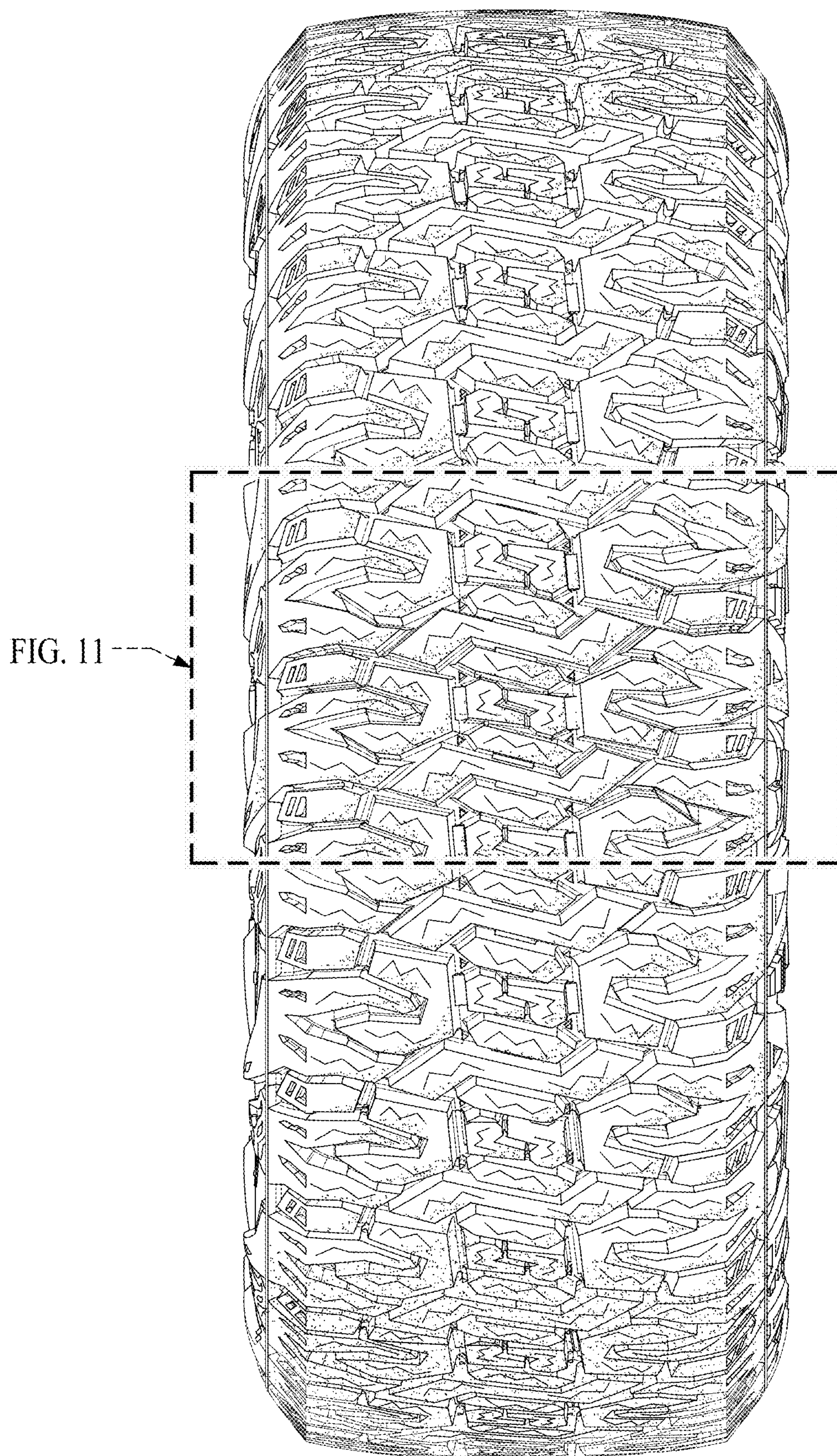


FIG. 8

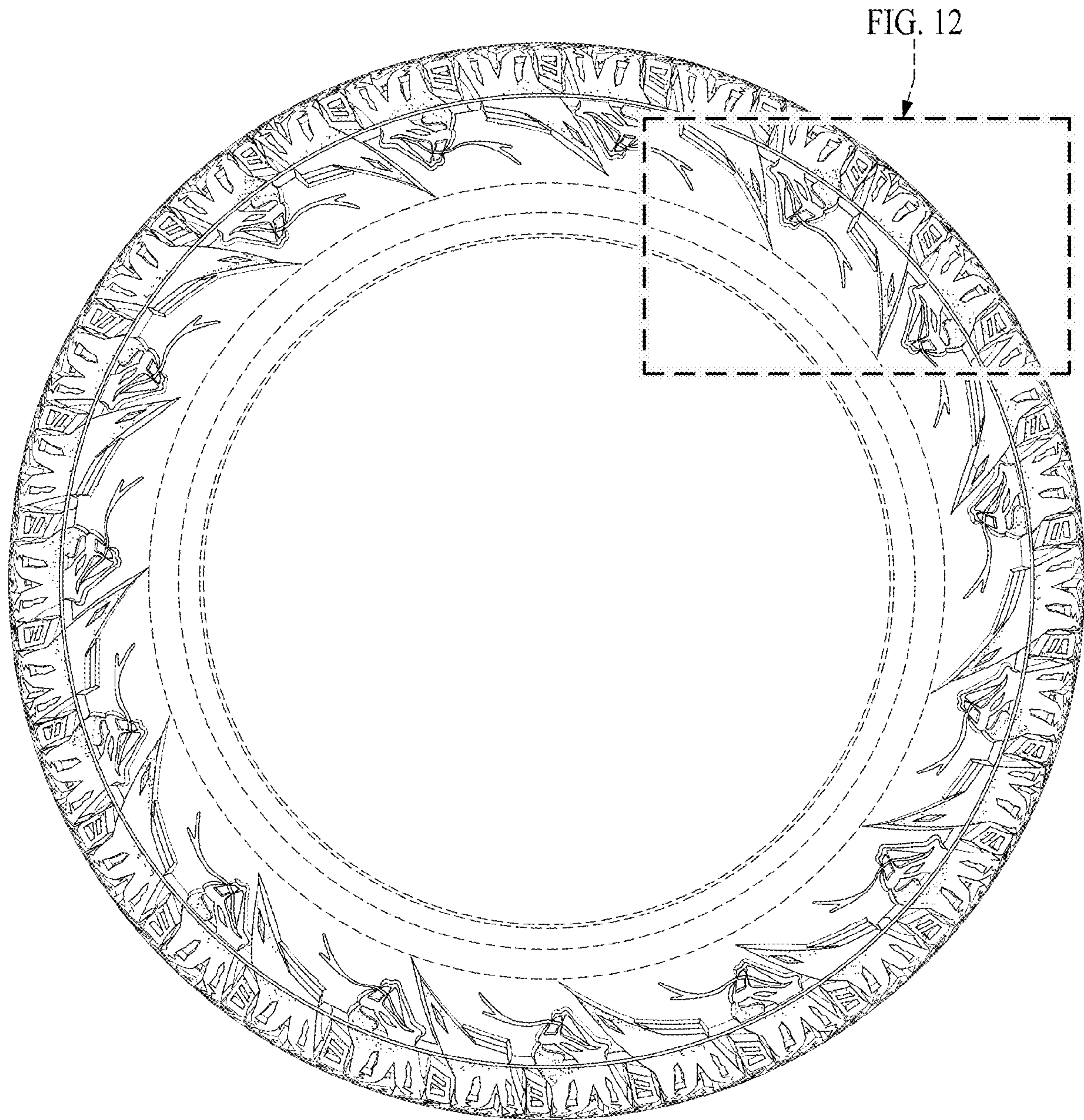


FIG. 9

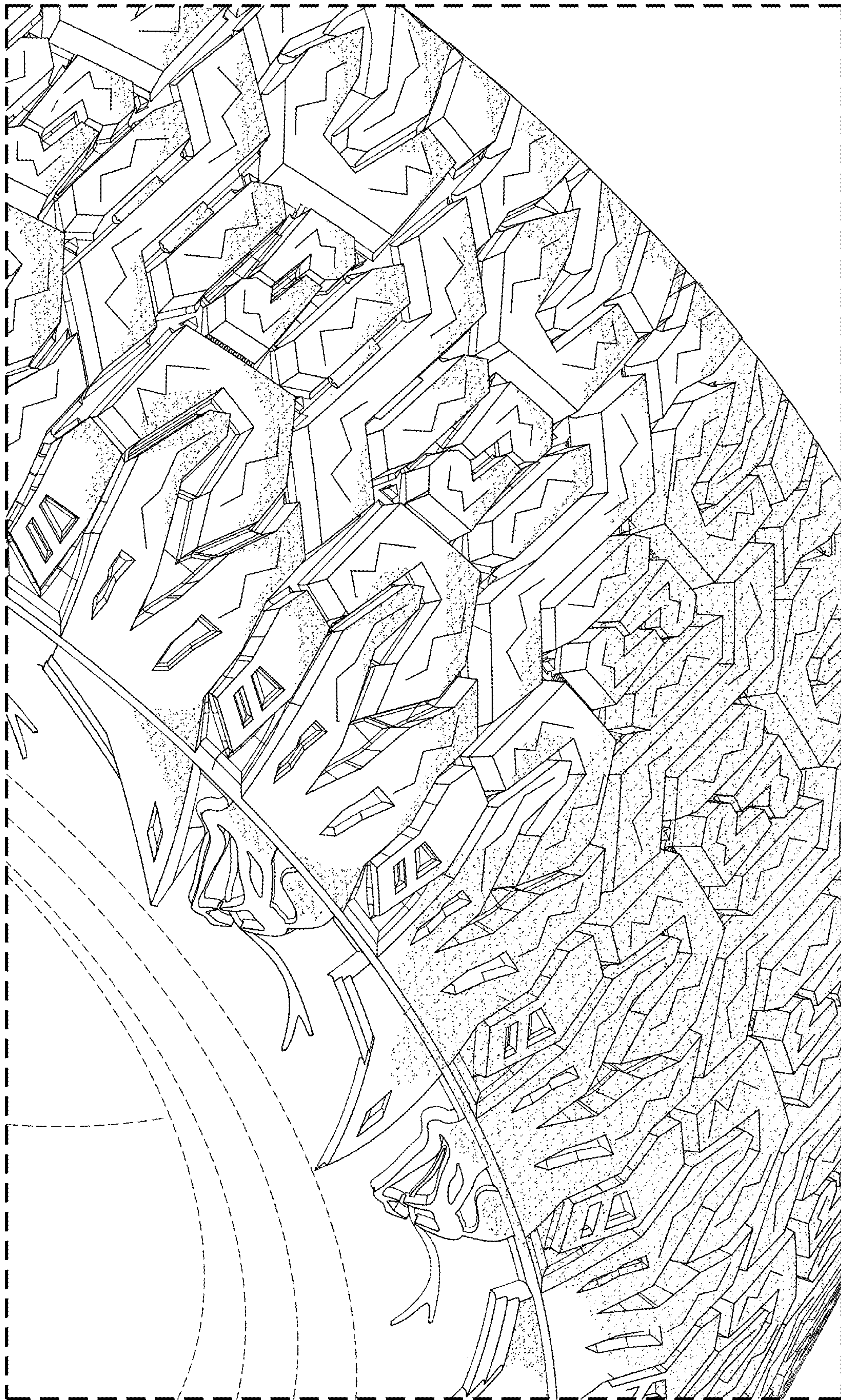


FIG. 10

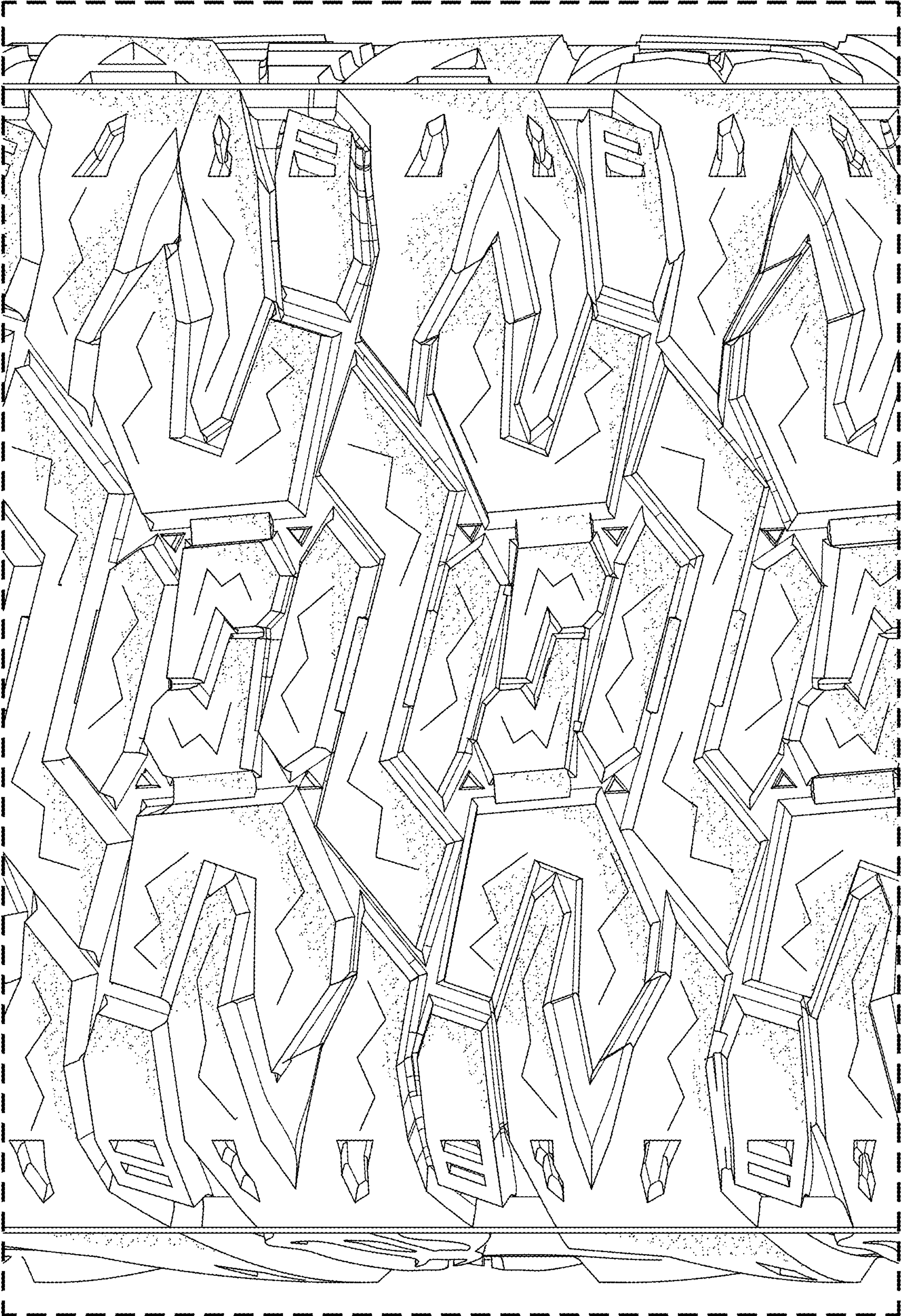


FIG. 11

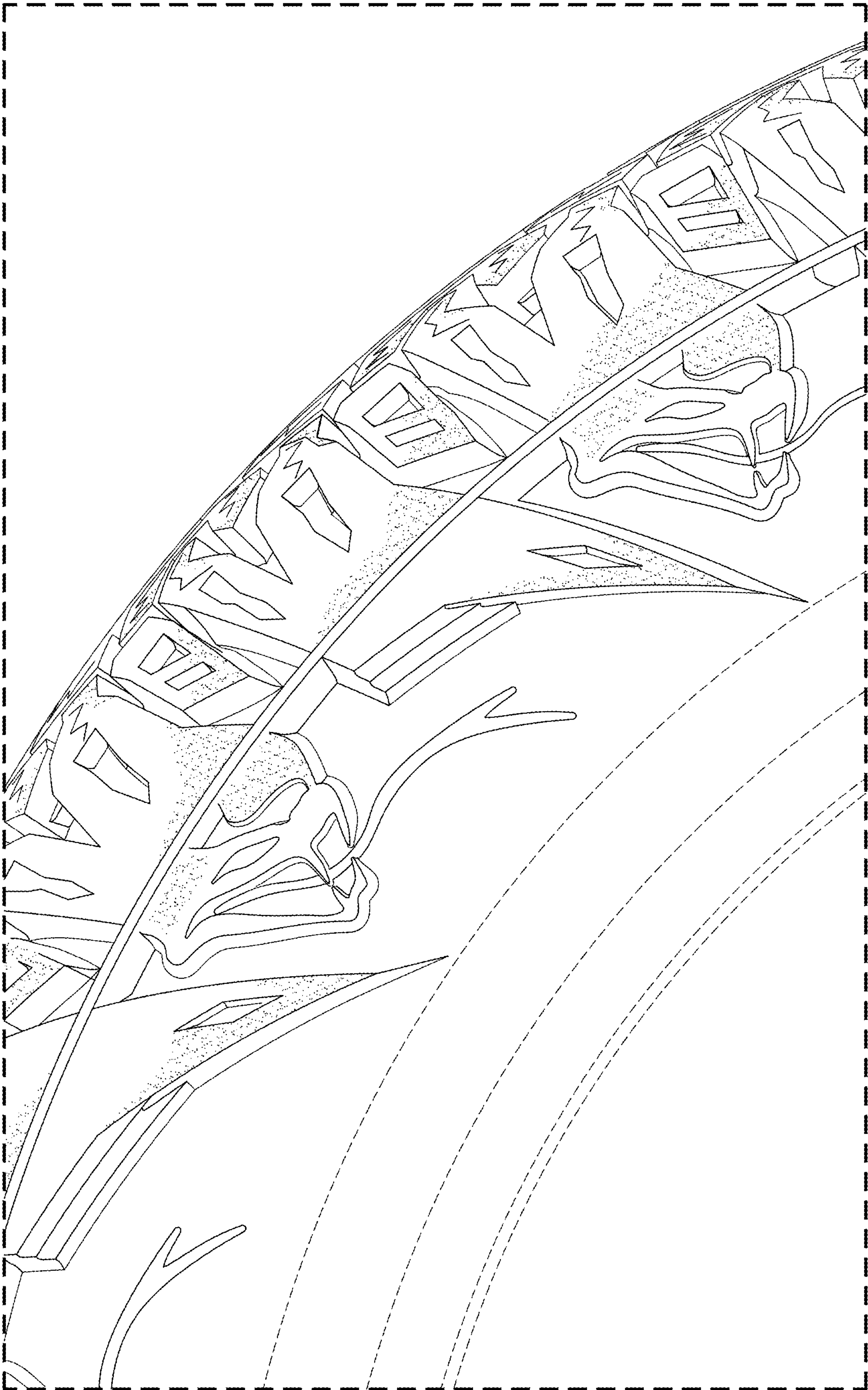


FIG. 12