



US00D906229S

(12) **United States Design Patent**
Han

(10) **Patent No.:** **US D906,229 S**

(45) **Date of Patent:** **** Dec. 29, 2020**

(54) **VEHICLE CUP HOLDER EXPANDER**

(71) Applicant: **SEVEN SPARTA CORP.**, Richardson,
TX (US)

(72) Inventor: **Fei Han**, Shenzhen (CN)

(**) Term: **15 Years**

(21) Appl. No.: **29/741,388**

(22) Filed: **Jul. 13, 2020**

(51) **LOC (12) Cl.** **12-16**

(52) **U.S. Cl.**
USPC **D12/419**

(58) **Field of Classification Search**
USPC D12/419, 415
CPC B60R 13/02; C03C 3/085; B60N 3/10;
B60N 2/46; B60Q 3/64; B60Q 3/225
See application file for complete search history.

(56) **References Cited**

U.S. PATENT DOCUMENTS

D448,001 S *	9/2001	Pfeiffer	D12/419
D460,635 S *	7/2002	Lieberman	D12/419
D461,161 S *	8/2002	Hoy	D12/419
D472,871 S *	4/2003	Ramos	D12/419
D525,933 S *	8/2006	Lee	D12/419
D526,953 S *	8/2006	Hall	D12/419
D610,353 S	2/2010	Cooney et al.		
D675,882 S	2/2013	Crockett		
D724,004 S *	3/2015	McFarlin	D12/419
D735,636 S *	8/2015	Wragg	D12/419

D792,834 S *	7/2017	Ito	D12/419
D801,911 S *	11/2017	Stroud	D12/419
D809,998 S	2/2018	Dabel et al.		
D848,932 S *	5/2019	Henderson	D12/419
D878,279 S	3/2020	MacNeil et al.		
D889,380 S *	7/2020	Hansson	D12/415

* cited by examiner

Primary Examiner — Katrina A Betton

(74) *Attorney, Agent, or Firm* — KA Filing LLC; Cynthia W. Flanigan

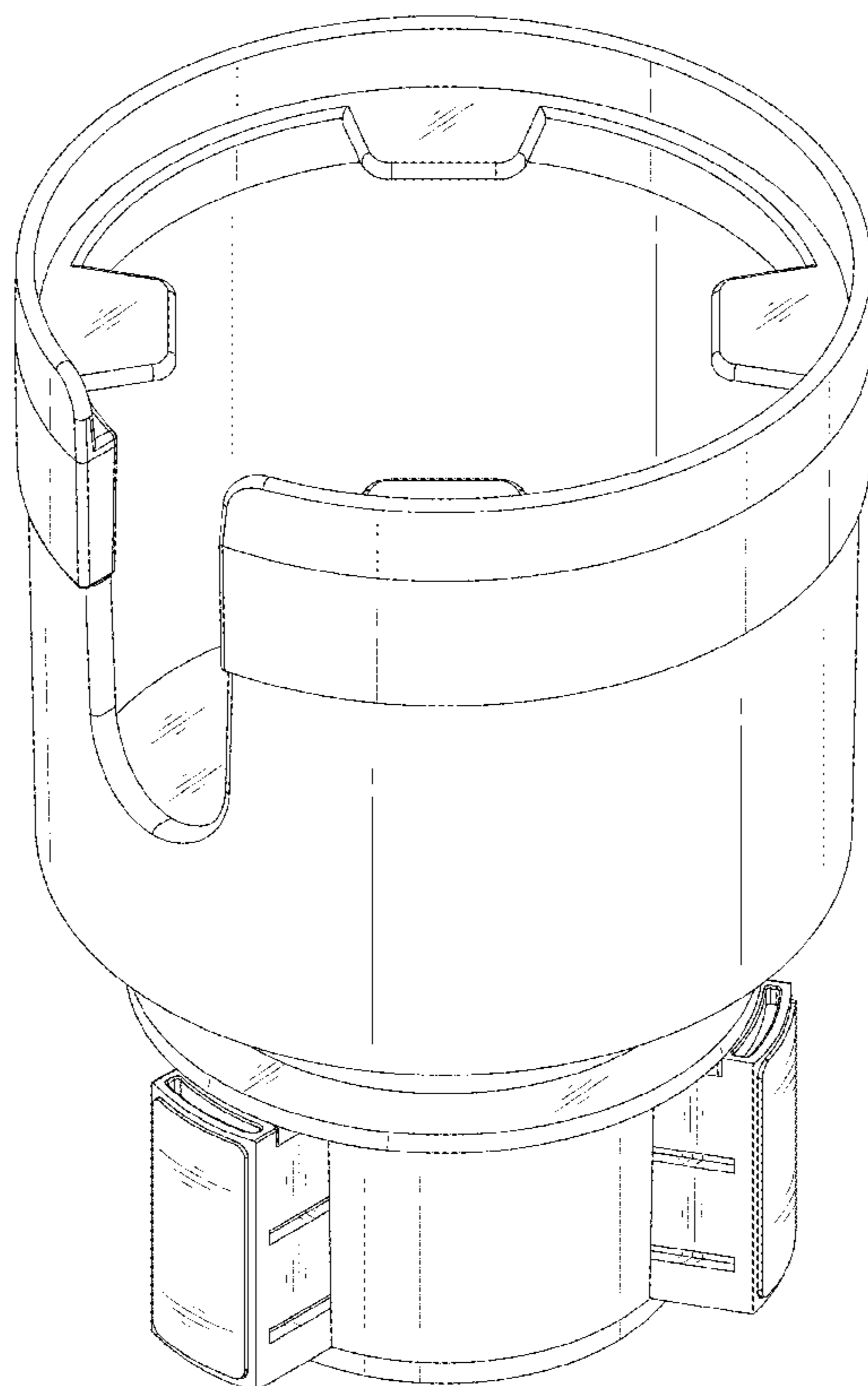
(57) **CLAIM**

I claim the ornamental design for a vehicle cup holder expander, as shown and described.

DESCRIPTION

FIG. 1 is a Perspective view of a vehicle cup holder expander showing my new design; FIG. 2 is a Front view thereof; FIG. 3 is a Back view thereof; FIG. 4 is a Left-side view thereof; FIG. 5 is a Right-side view thereof; FIG. 6 is a Top view thereof; FIG. 7 is a Bottom view thereof; and, FIG. 8 is Perspective view of a vehicle cup holder expander showing in open position. The broken lines are for the purpose of illustrating portions of the article that form no part of the claim.

1 Claim, 8 Drawing Sheets



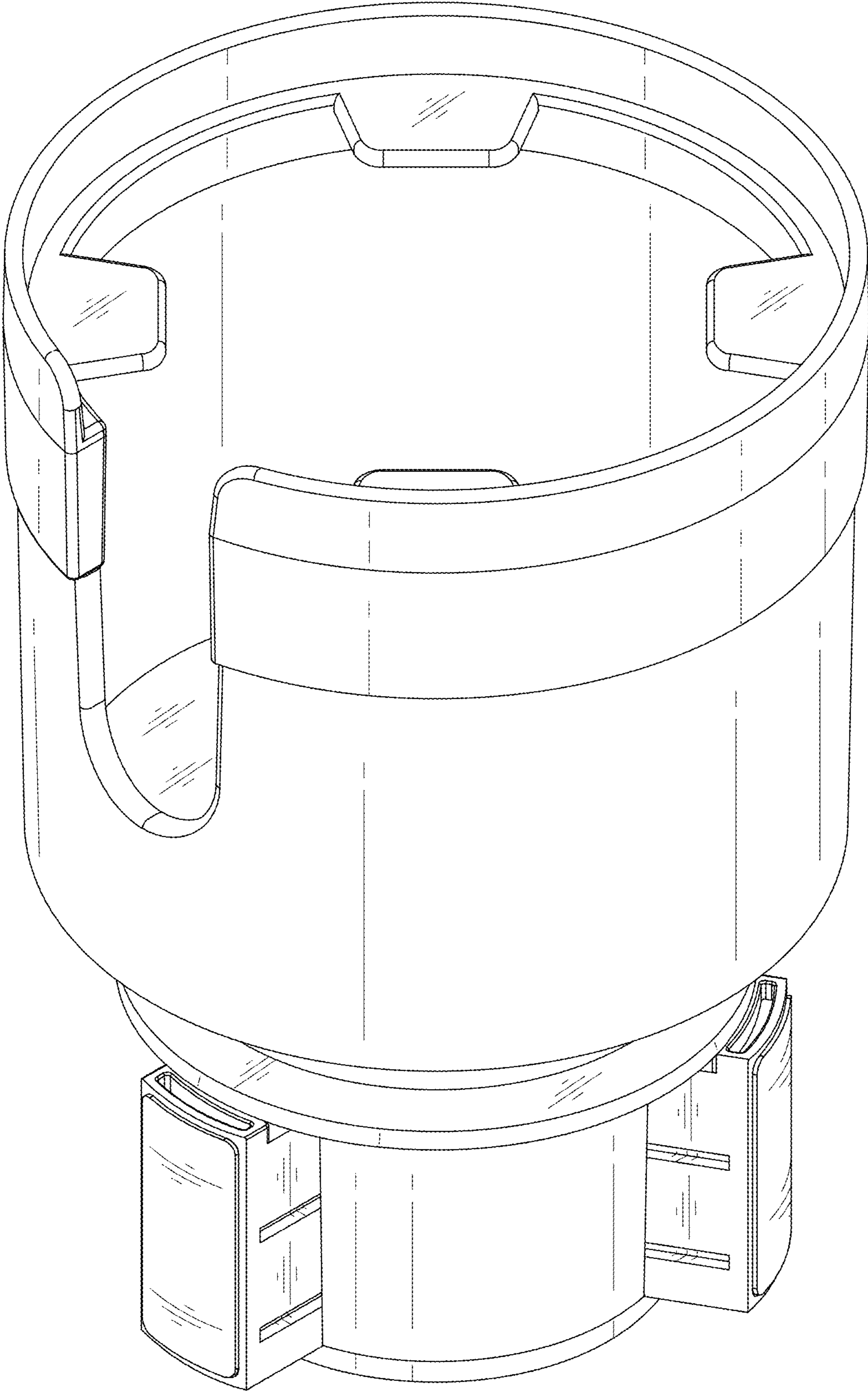


FIG. 1

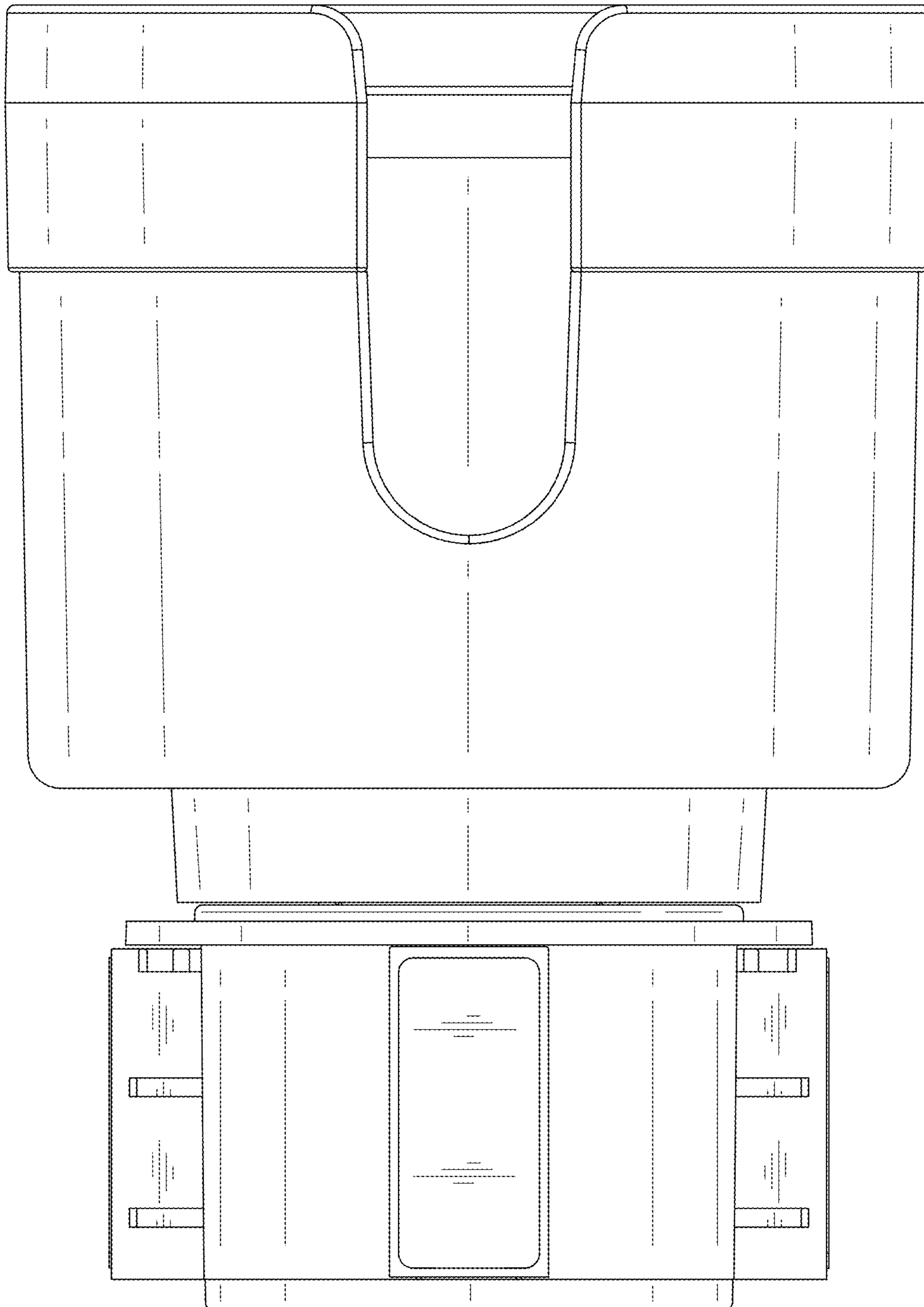


FIG. 2

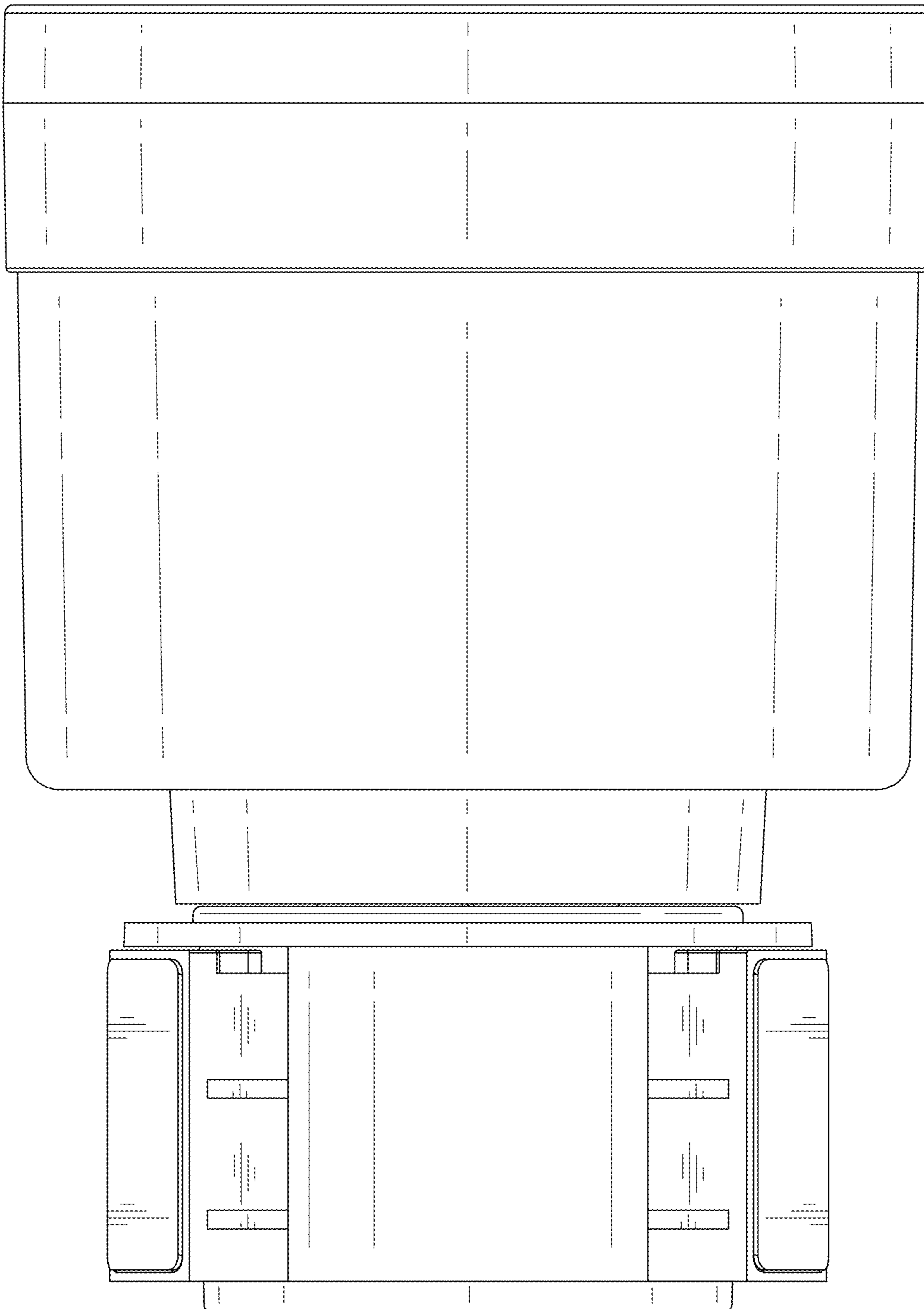


FIG. 3

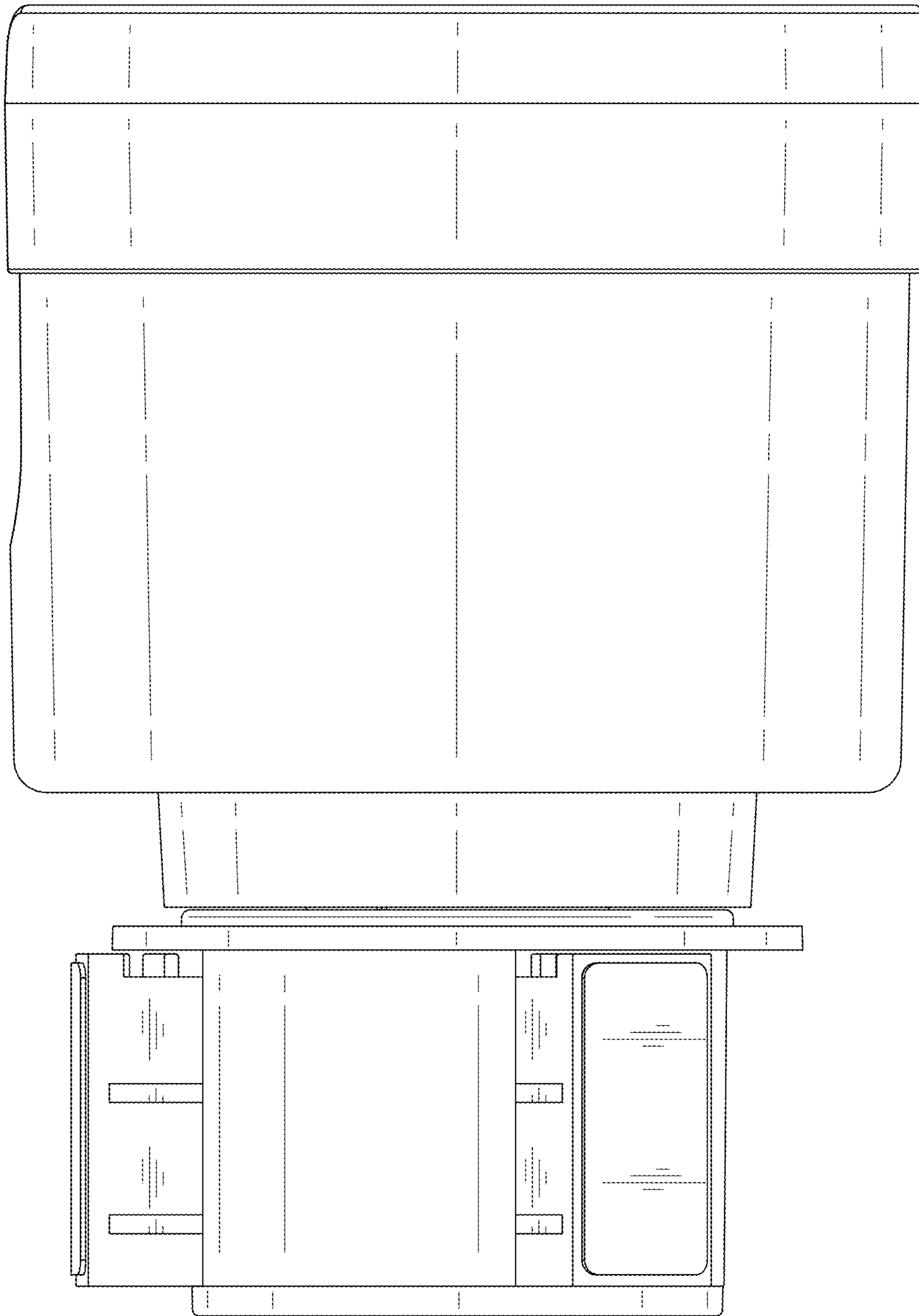


FIG. 4

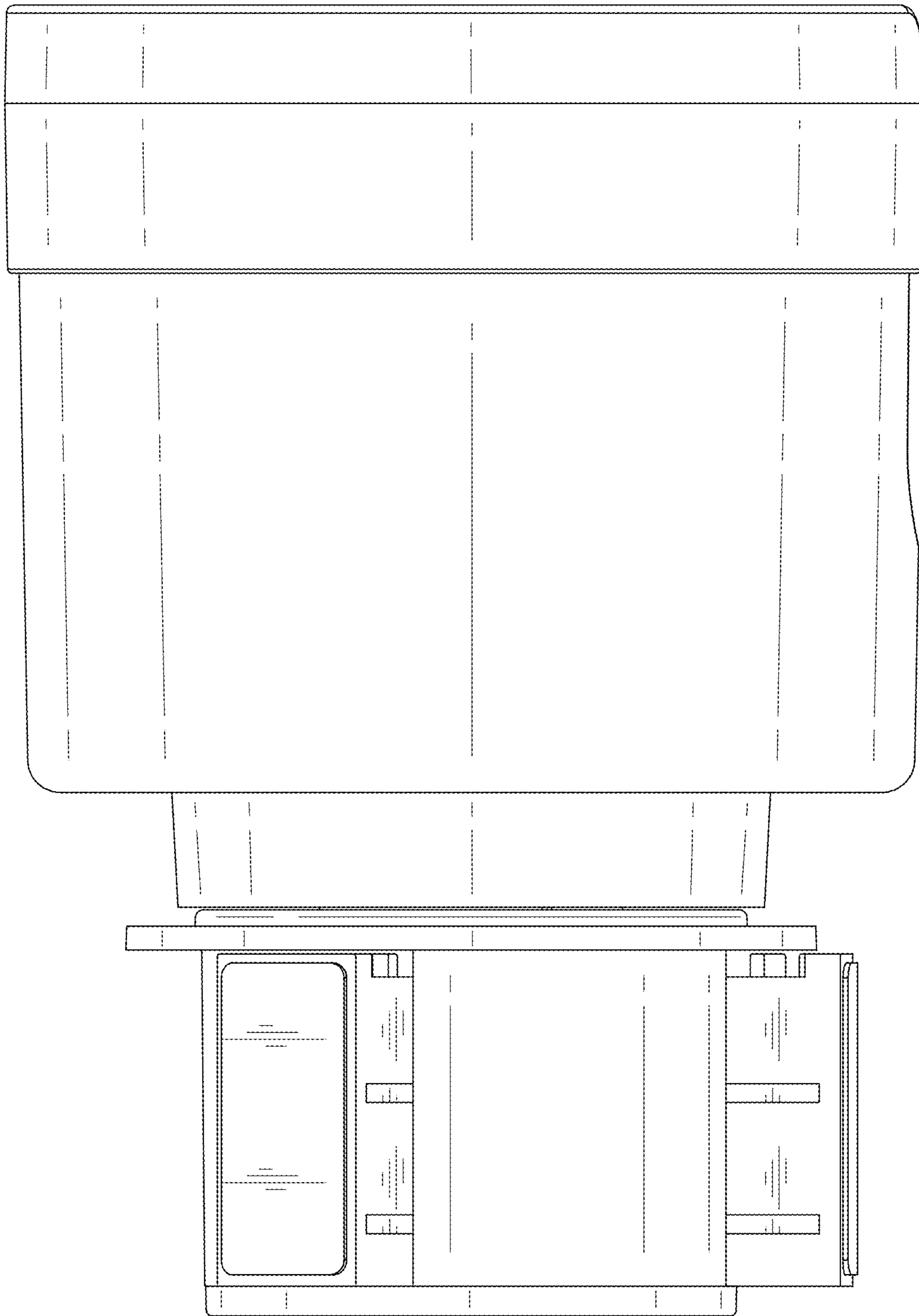


FIG. 5

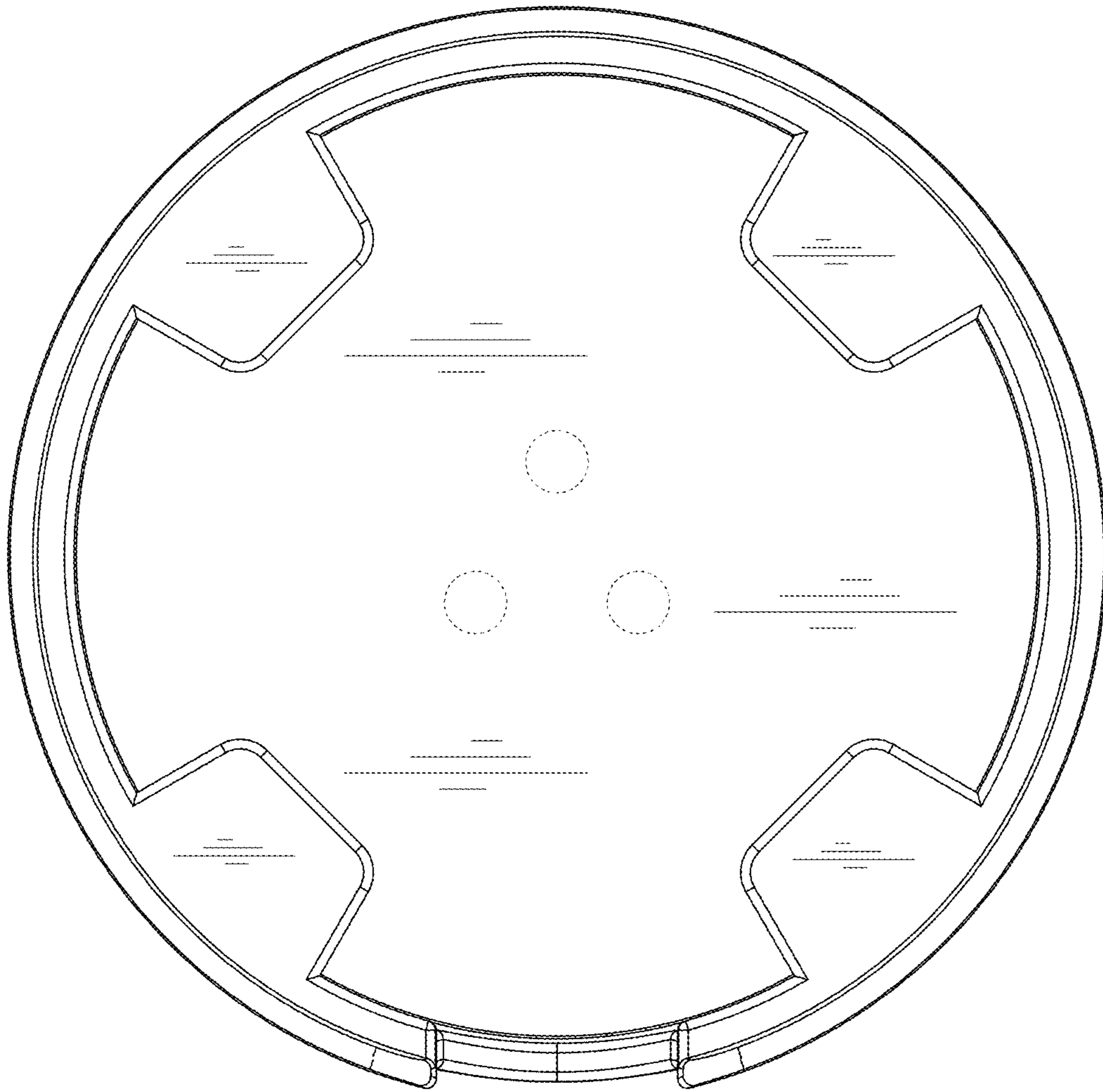


FIG. 6

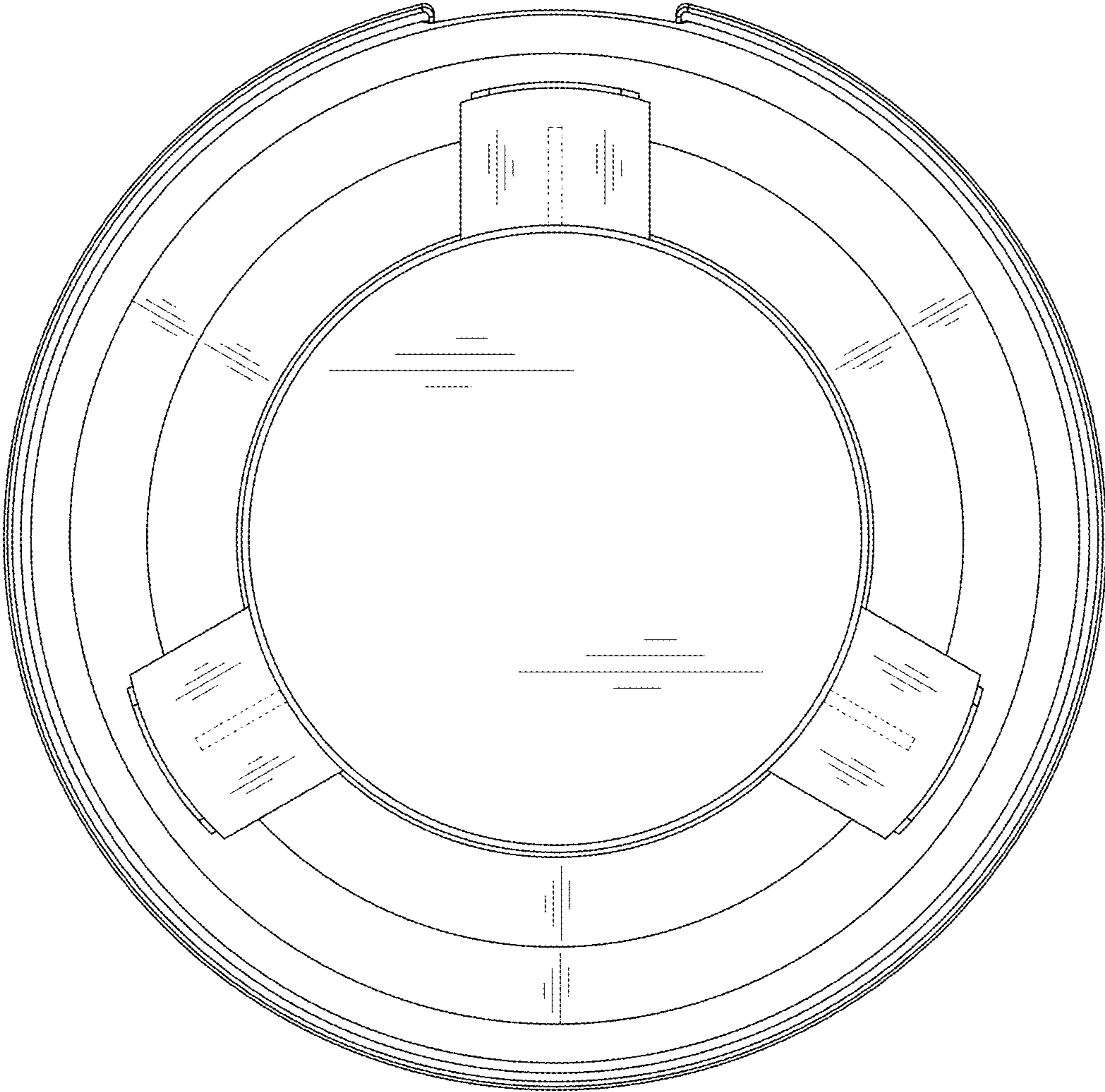


FIG. 7

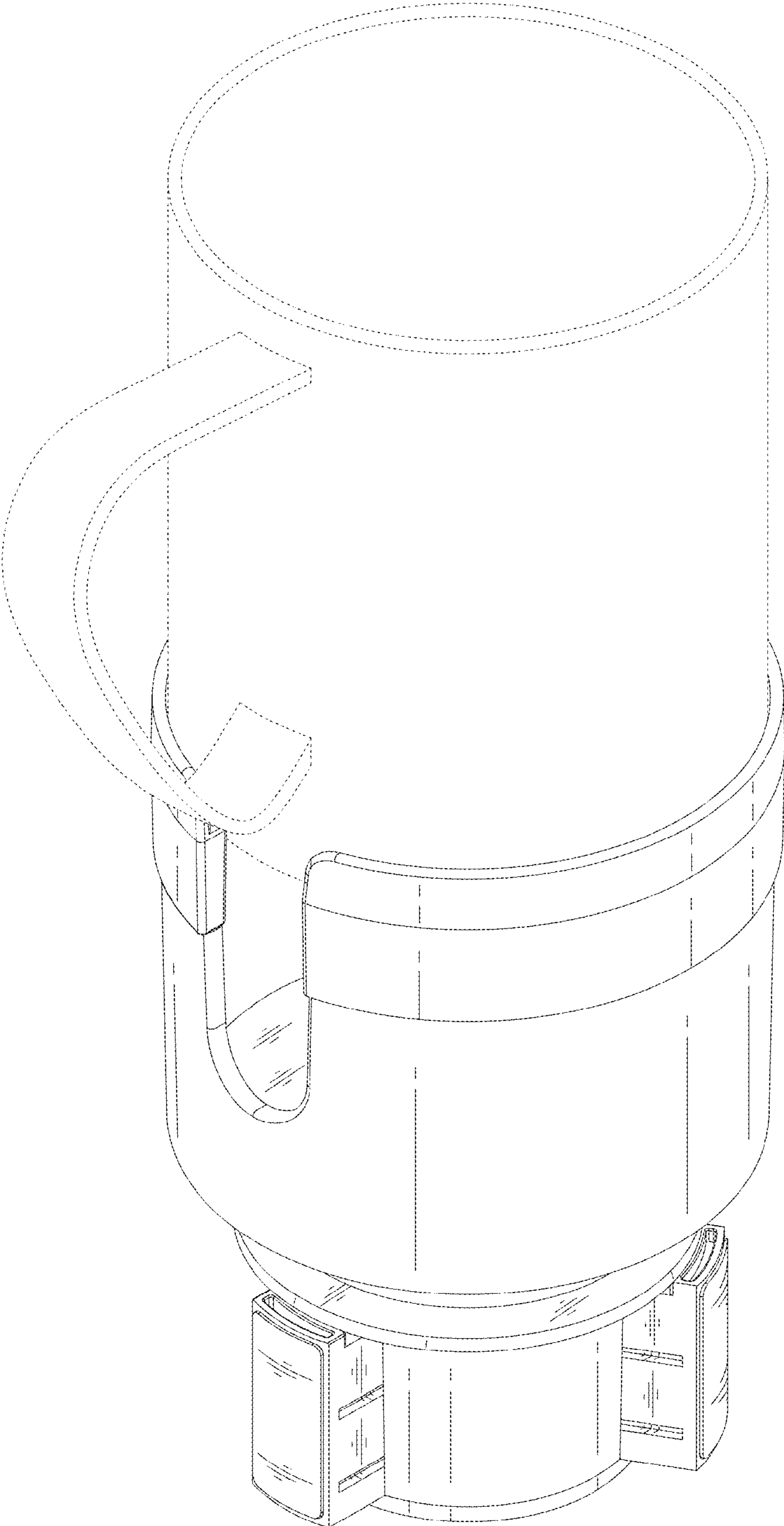


FIG. 8