



US00D906225S

(12) **United States Design Patent** (10) **Patent No.:** **US D906,225 S**  
**Eriksson et al.** (45) **Date of Patent:** **\*\* Dec. 29, 2020**

- (54) **RACK**
- (71) Applicant: **Thule Sweden AB**, Hillerstorp (SE)
- (72) Inventors: **Henrik Eriksson**, Jönköping (SE);  
**Johan Larsson**, Jönköping (SE)
- (73) Assignee: **Thule Sweden AB**, Hillerstorp (SE)
- (\*\*) Term: **15 Years**
- (21) Appl. No.: **29/708,561**
- (22) Filed: **Oct. 8, 2019**

**Related U.S. Application Data**

- (63) Continuation of application No. 29/653,569, filed on Jun. 15, 2018, now Pat. No. Des. 867,262.
- (51) **LOC (12) Cl.** ..... **12-16**
- (52) **U.S. Cl.**  
USPC ..... **D12/412**
- (58) **Field of Classification Search**  
USPC ..... D12/414, 406-413, 414.1, 96-100, 561;  
D32/35, 58; D6/552; D3/304-306;  
224/309-310, 323-329, 400, 331, 42.1;  
280/760-762, 769, 727, 848; 296/37.1,  
296/10, 36, 190.08, 190.01, 190.02,  
296/100.01; 410/104-105, 107, 111  
CPC . B60R 2011/0042; B60R 11/06; B60R 11/00;  
B60R 9/048; B60R 9/045; B60R 9/00;  
B60R 9/058; B60R 9/12; B60R 9/02;  
B60R 9/08; B60R 9/042; B60R 9/0423;  
(Continued)

(56) **References Cited**

**U.S. PATENT DOCUMENTS**

- D577,327 S \* 9/2008 Jung ..... D12/412
  - D694,170 S \* 11/2013 Eriksson ..... D12/414
- (Continued)

*Primary Examiner* — Abraham Bahta  
(74) *Attorney, Agent, or Firm* — Sterne, Kessler,  
Goldstein & Fox P.L.L.C.

(57) **CLAIM**

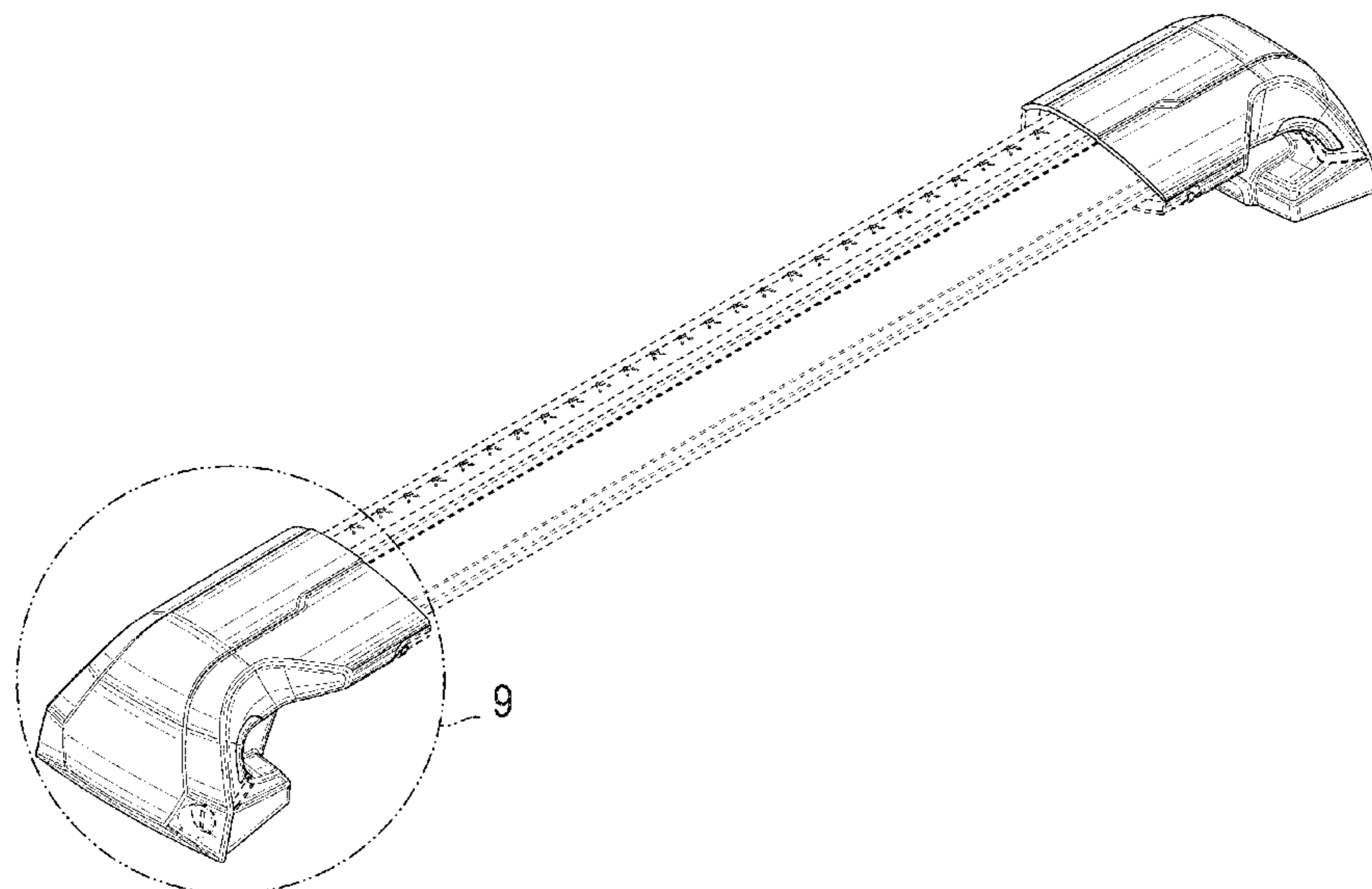
The ornamental design for a rack, as shown and described.

**DESCRIPTION**

FIG. 1 is a top perspective view of a rack showing the claimed design;  
 FIG. 2 is a front view thereof;  
 FIG. 3 is a rear view thereof;  
 FIG. 4 is an enlarged left side view thereof;  
 FIG. 5 is an enlarged right side view thereof;  
 FIG. 6 is a top view thereof;  
 FIG. 7 is a bottom view thereof;  
 FIG. 8 is a bottom perspective view thereof;  
 FIG. 9 is an enlarged top perspective view of the circumscribed portion of the rack shown within the dot-dot-dash broken line in FIG. 1;  
 FIG. 10 is an enlarged front view of the circumscribed portion of the rack shown within the dot-dot-dash broken line in FIG. 2;  
 FIG. 11 is an enlarged rear view of the circumscribed portion of the rack shown within the dot-dot-dash broken line in FIG. 3;  
 FIG. 12 is an enlarged top view of the circumscribed portion of the rack shown within the dot-dot-dash broken line in FIG. 6;  
 FIG. 13 is an enlarged bottom view of the circumscribed portion of the rack shown within the dot-dot-dash broken line in FIG. 7; and,  
 FIG. 14 is an enlarged bottom perspective view of the circumscribed portion of the rack shown within the dot-dot-dash broken line in FIG. 8.

The dashed broken lines in the figures show portions of the rack that form no part of the claimed design.  
 The dot-dot-dash broken lines in the figures show portions of the rack from which enlarged views have been taken.

**1 Claim, 9 Drawing Sheets**



(58) **Field of Classification Search**

CPC ..... B60R 9/0426; B60R 9/05; B60R 9/052;  
B60R 9/04; B60R 9/055; B60R 9/065;  
B60R 7/04; B60R 7/08

See application file for complete search history.

(56) **References Cited**

U.S. PATENT DOCUMENTS

D695,206 S	*	12/2013	Eriksson .....	D12/414
D718,217 S		11/2014	Detweiler et al.	
D831,562 S	*	10/2018	Salsi .....	D12/412
D874,384 S	*	2/2020	Salsi .....	D12/406
D879,012 S	*	3/2020	Guo .....	D12/412

\* cited by examiner

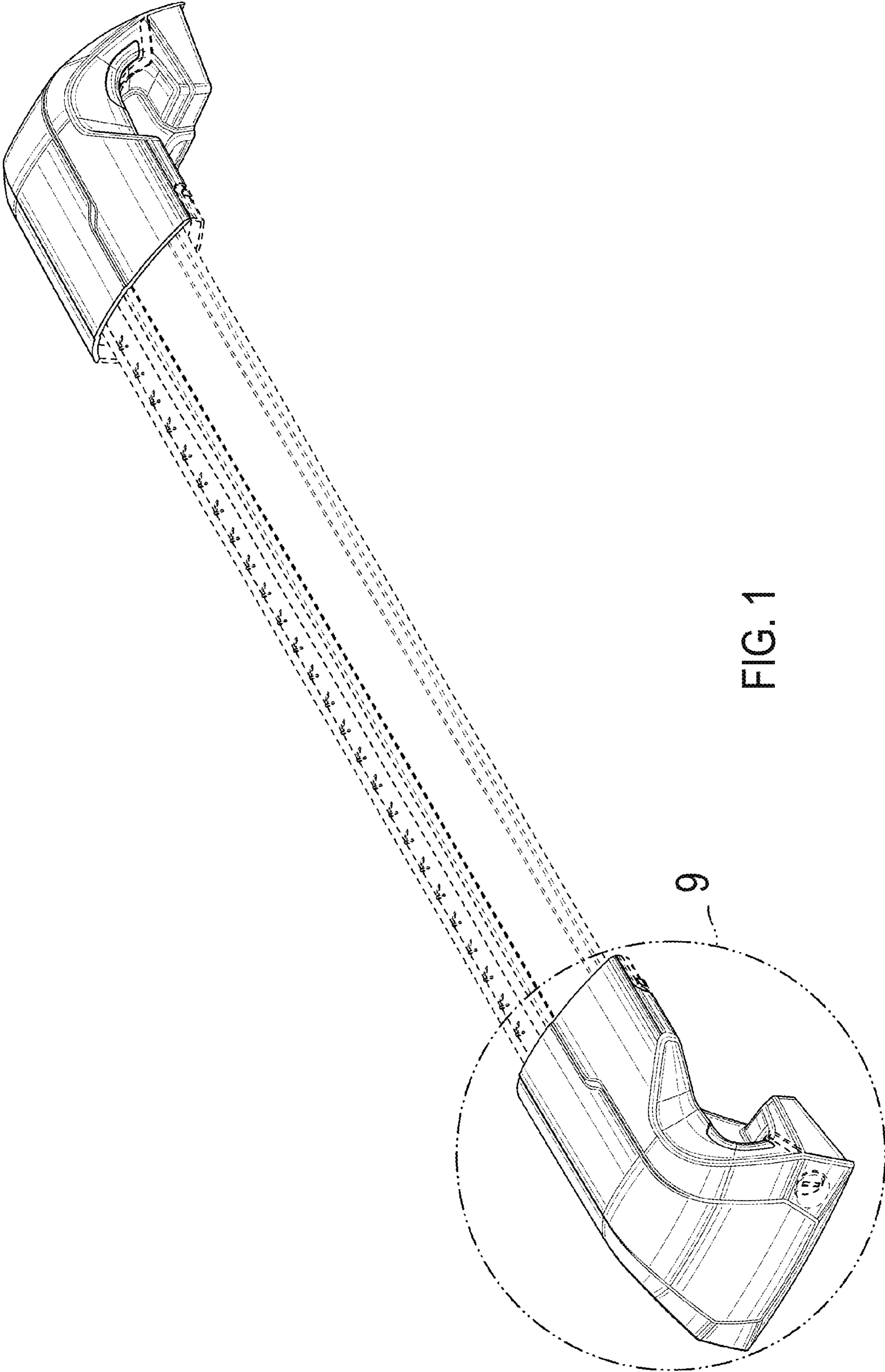


FIG. 1

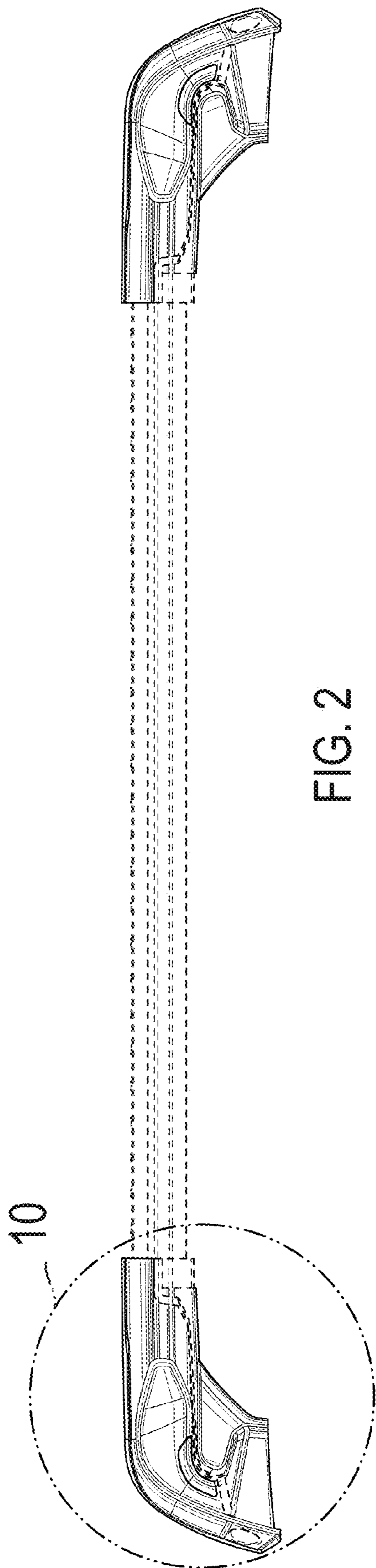


FIG. 2

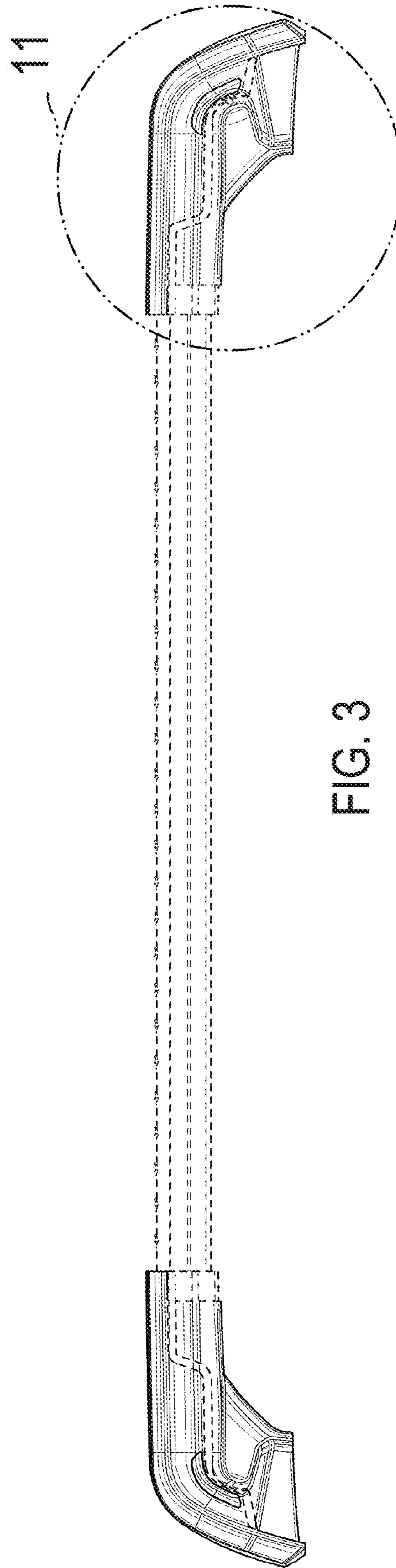


FIG. 3

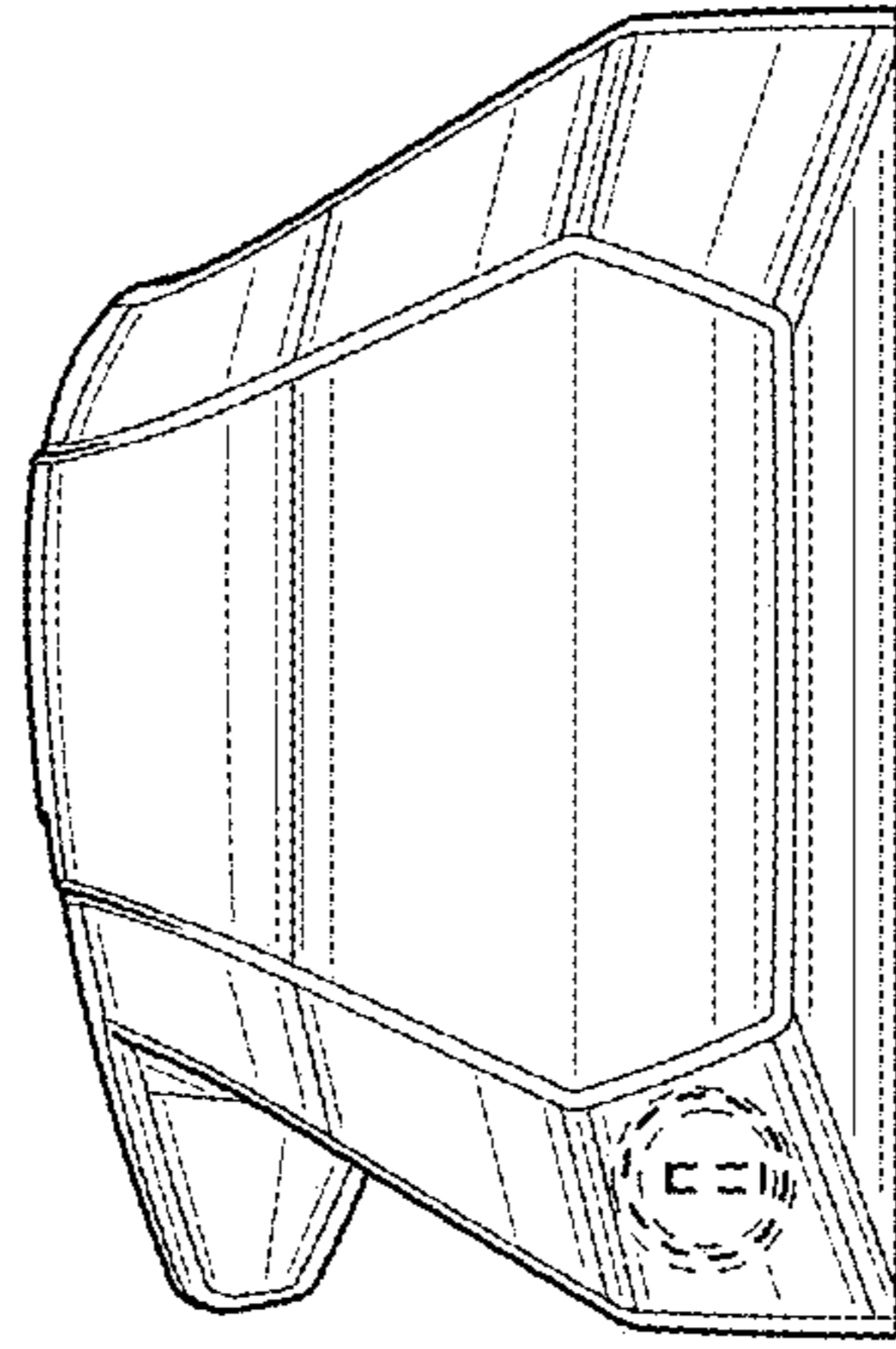


FIG. 4

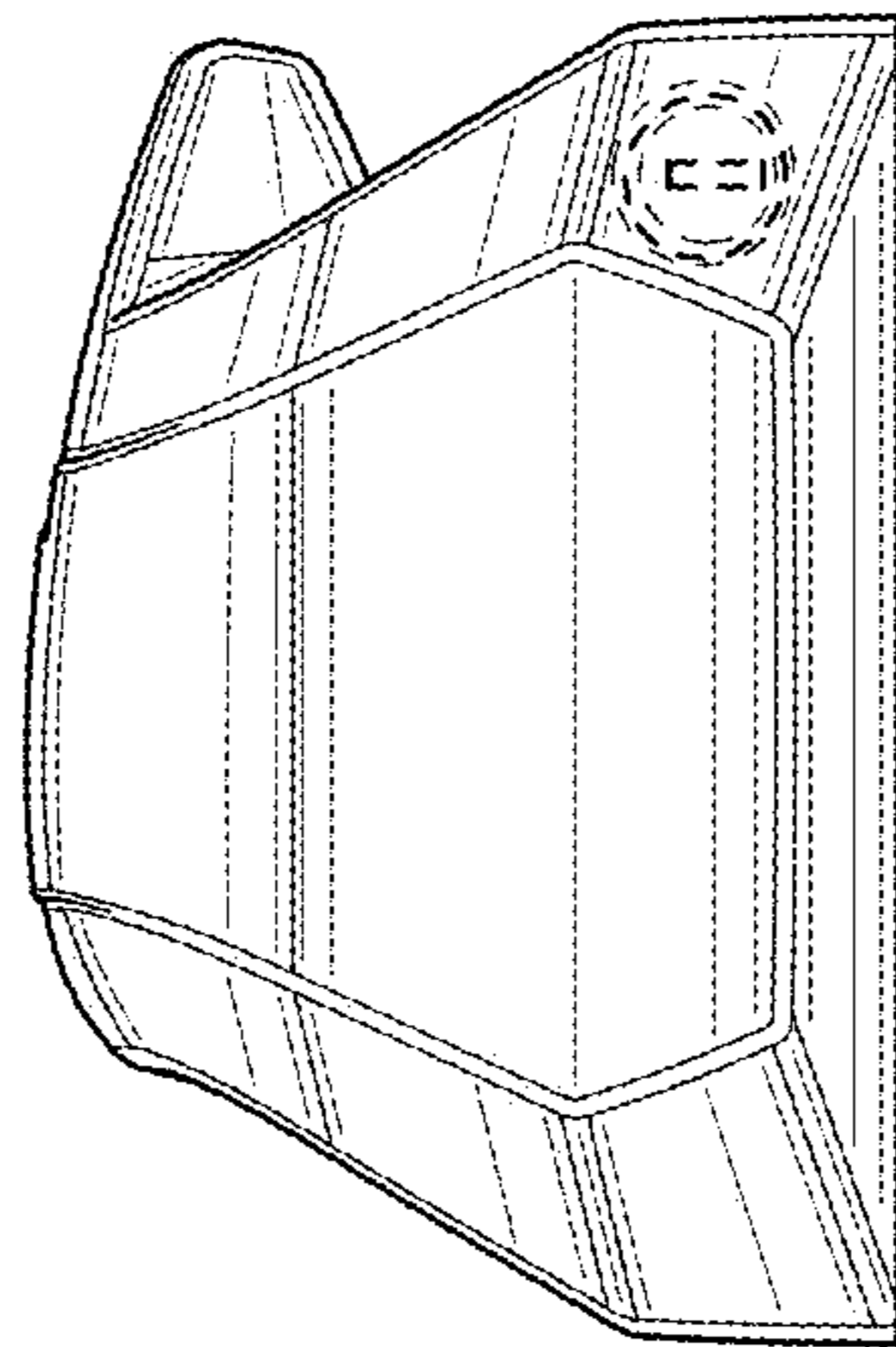


FIG. 5

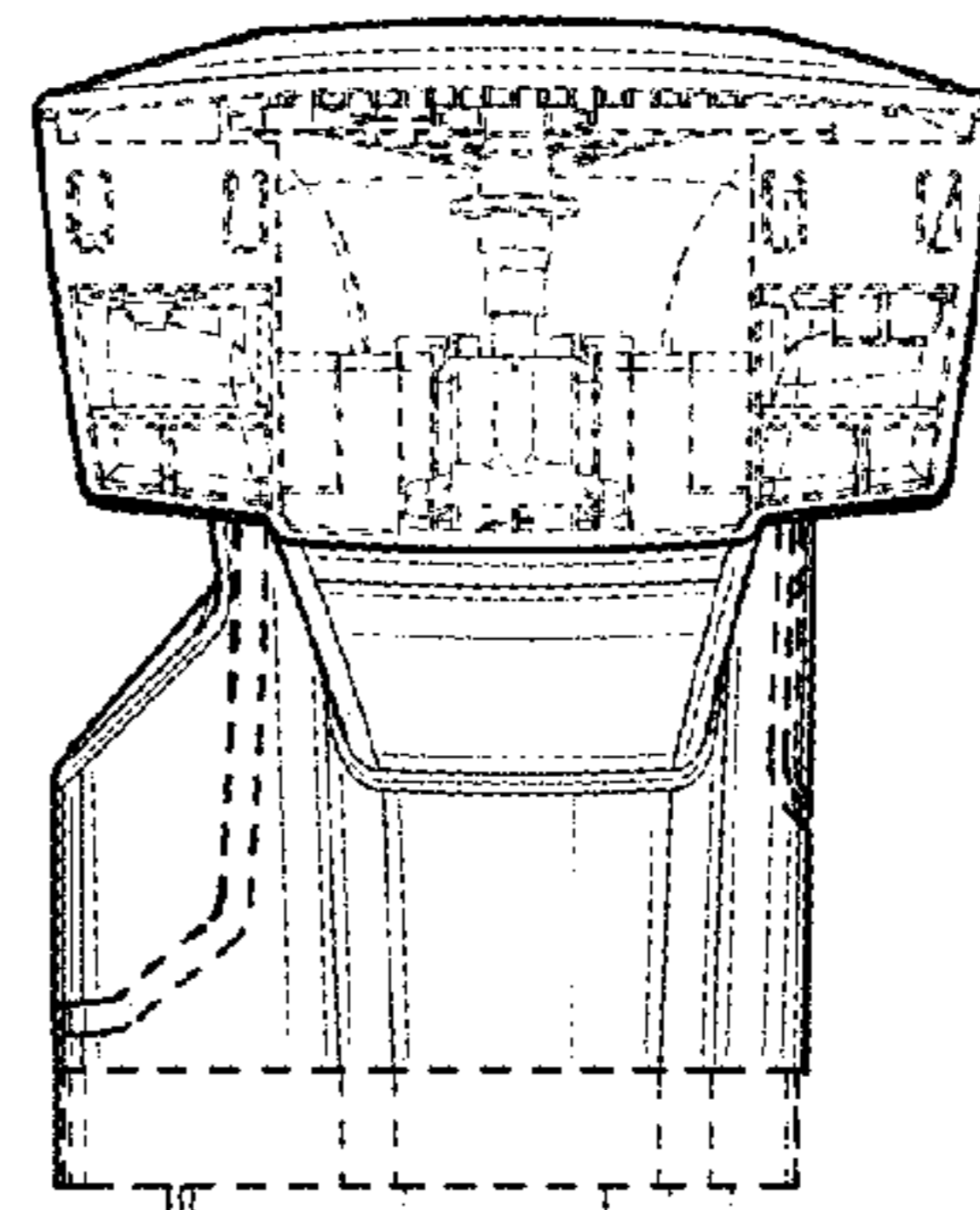
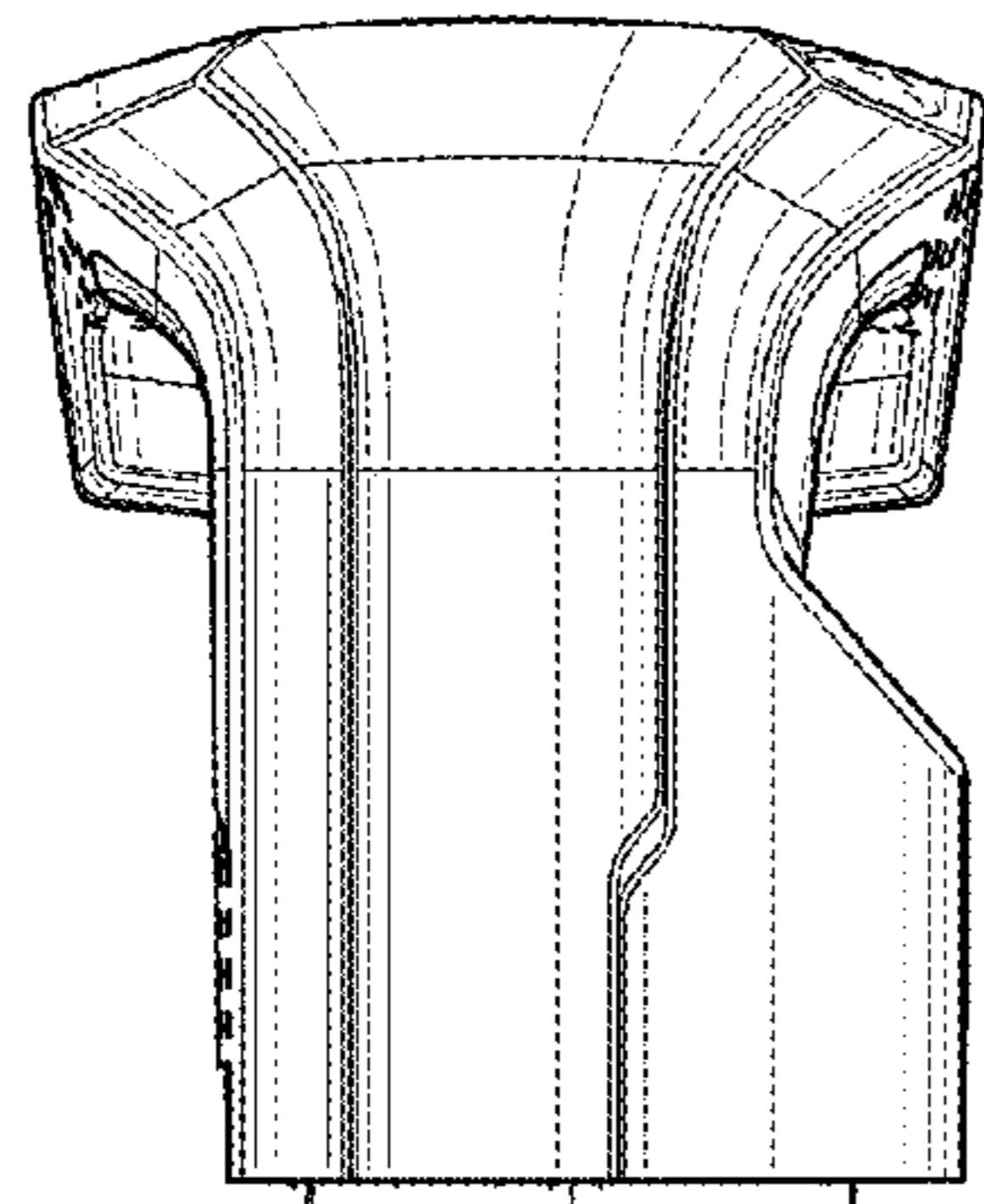
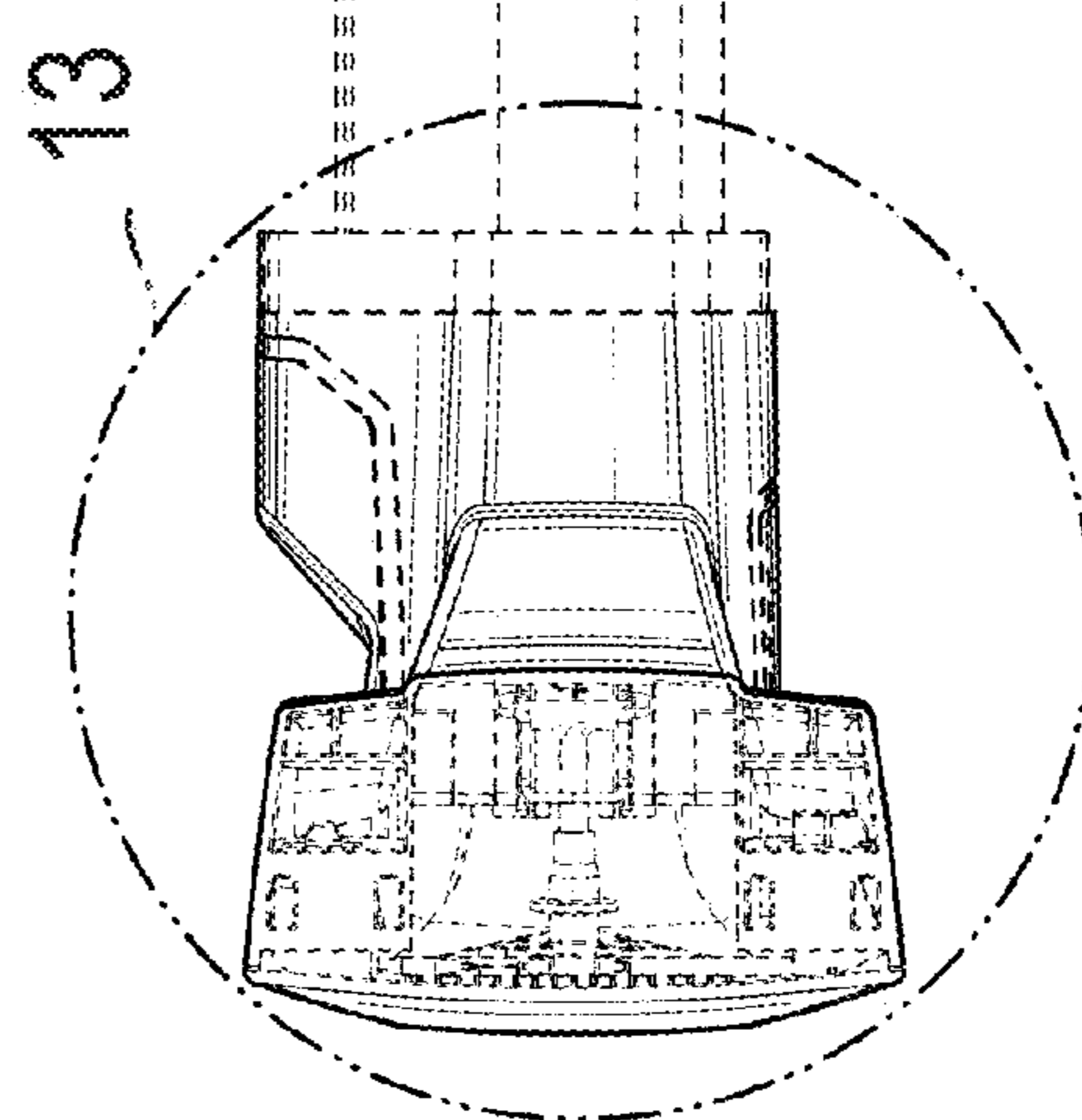
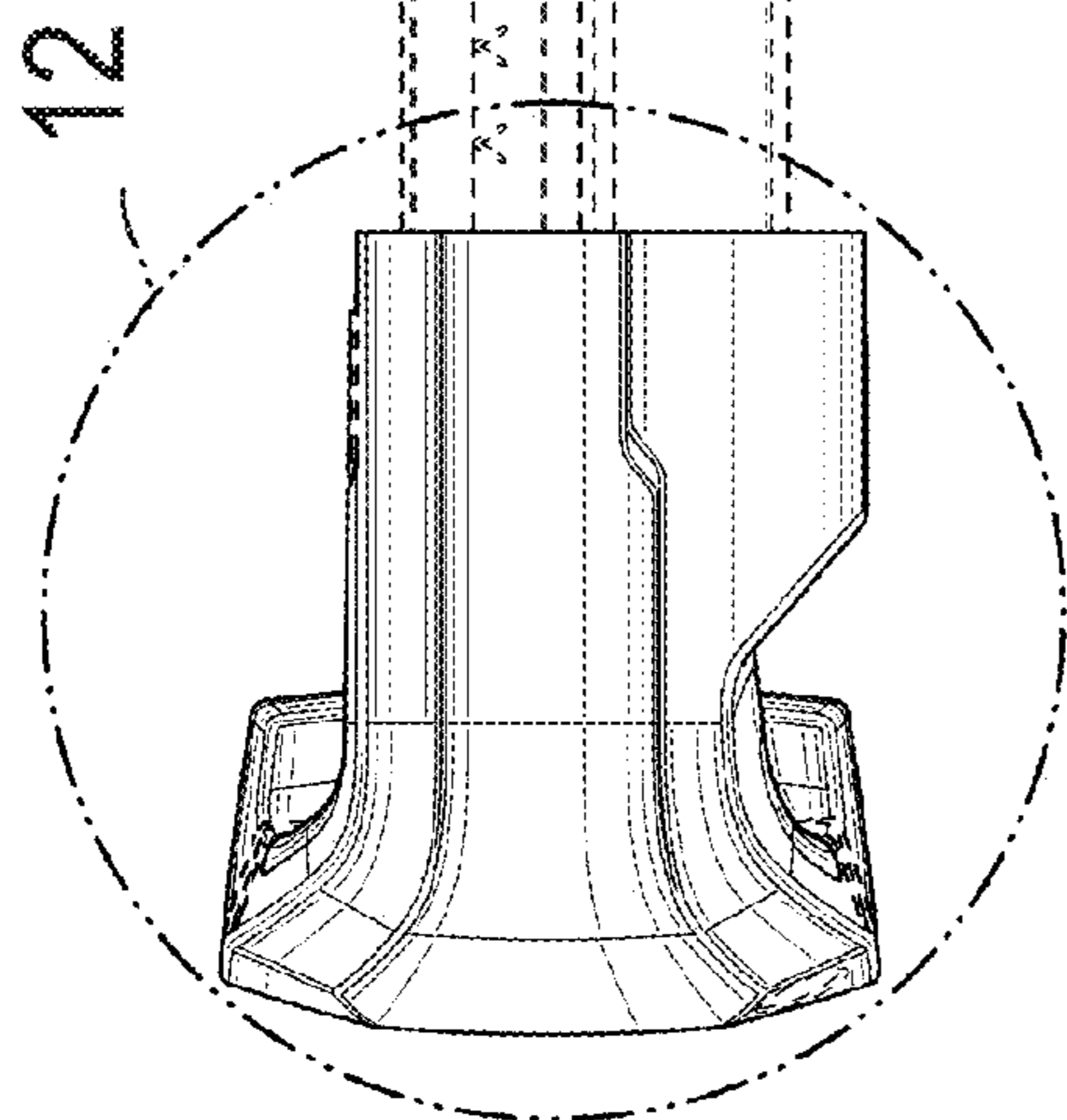


FIG. 6

FIG. 7



12

13

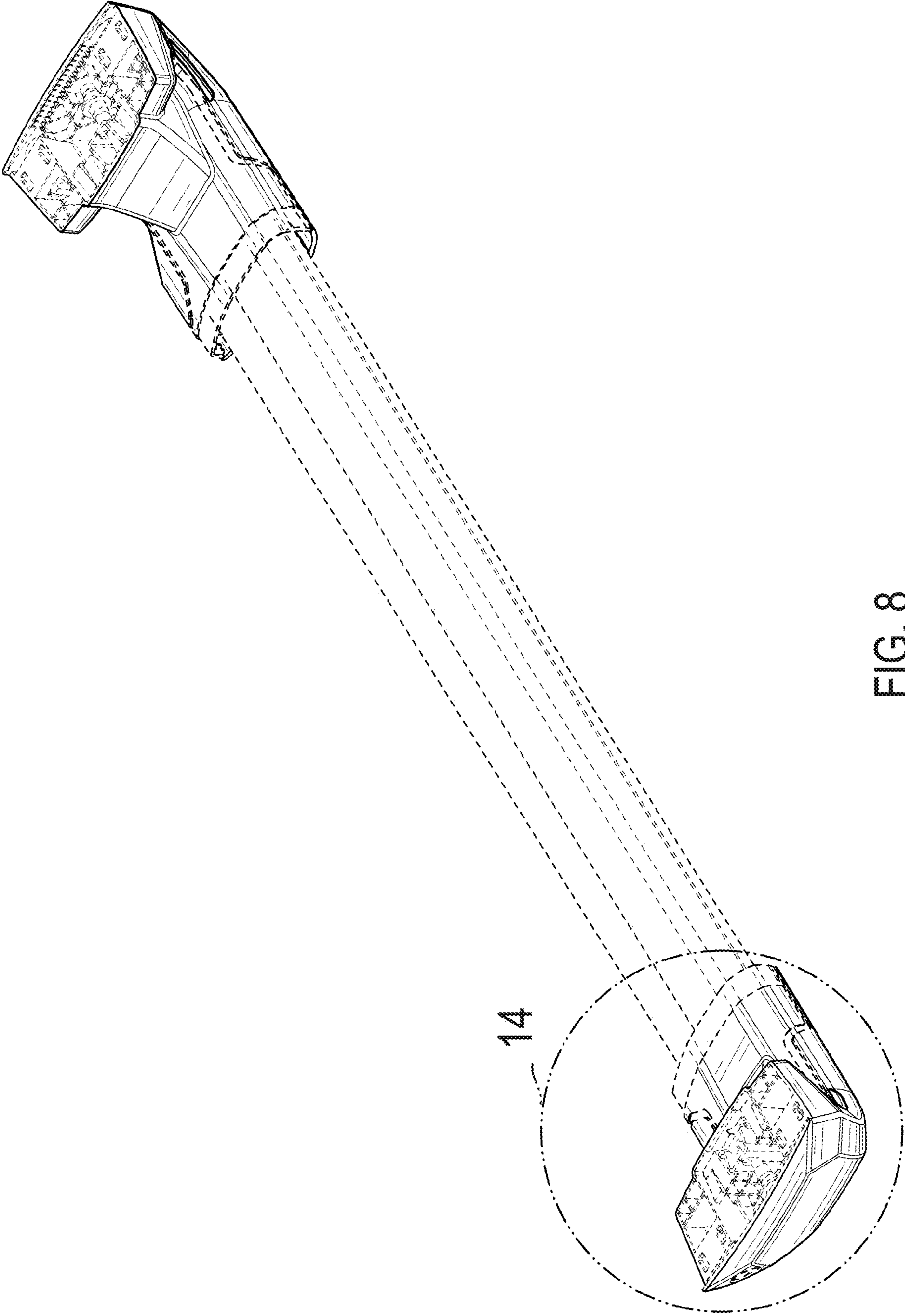


FIG. 8

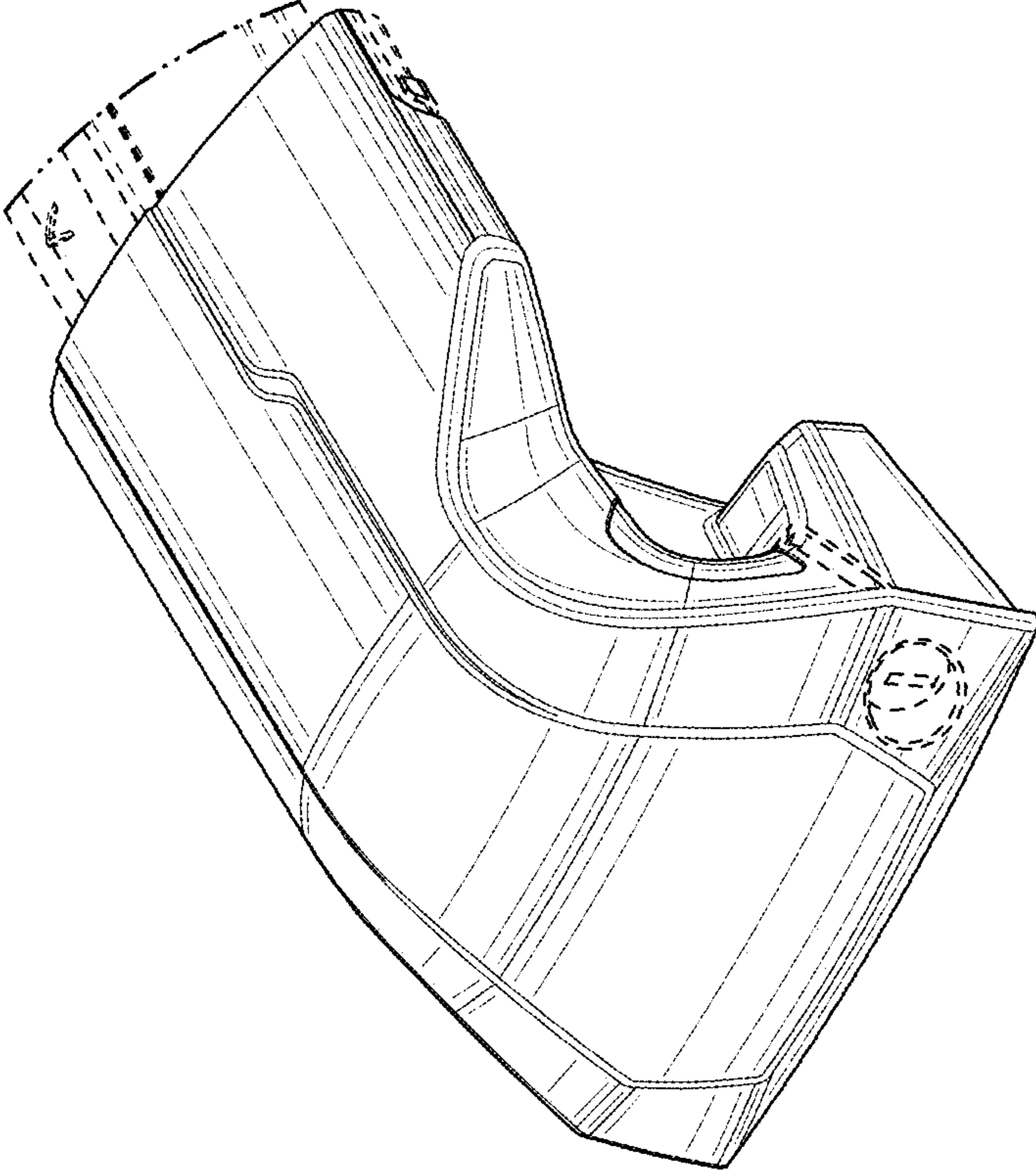


FIG. 9



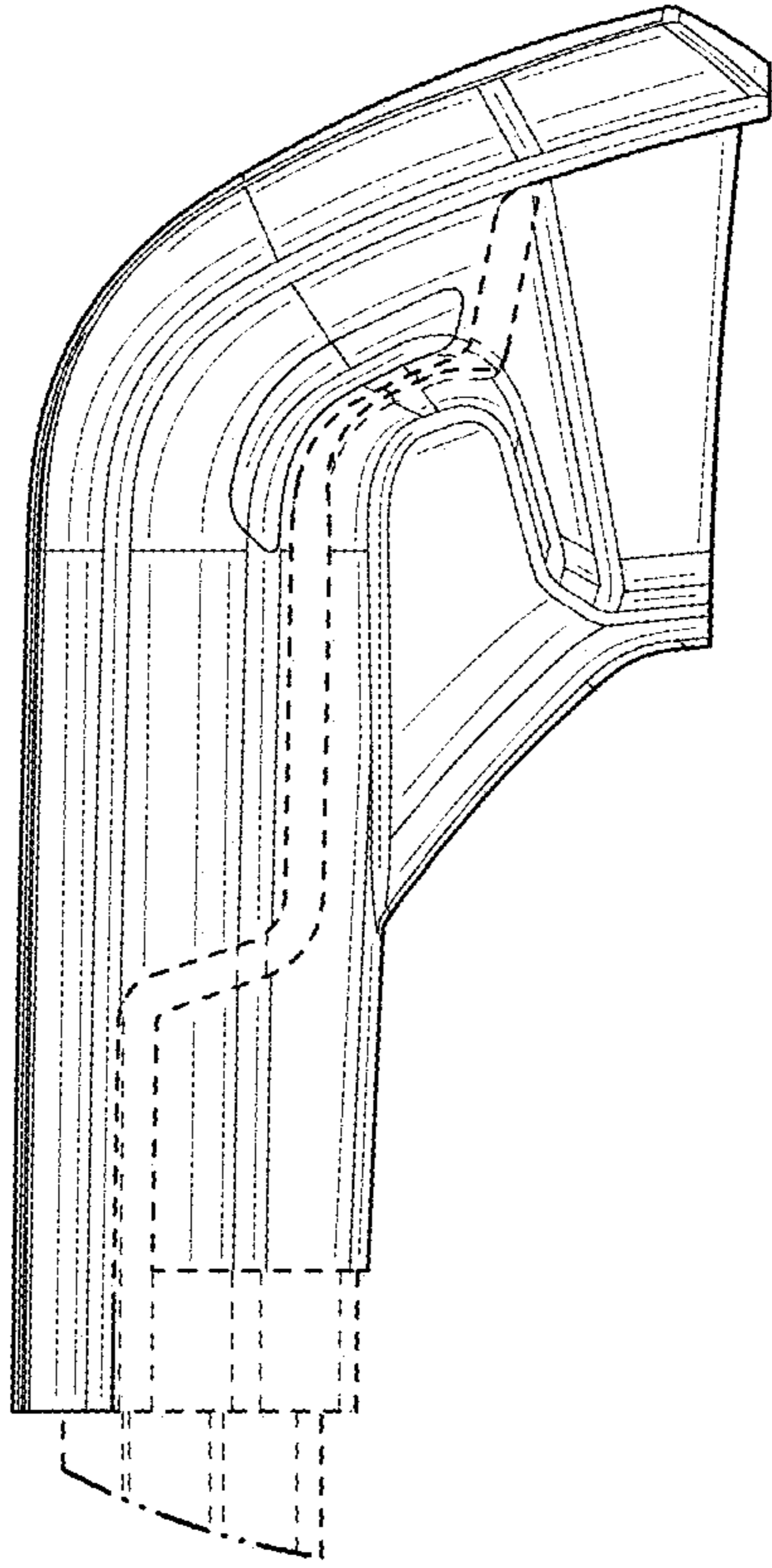


FIG. 10

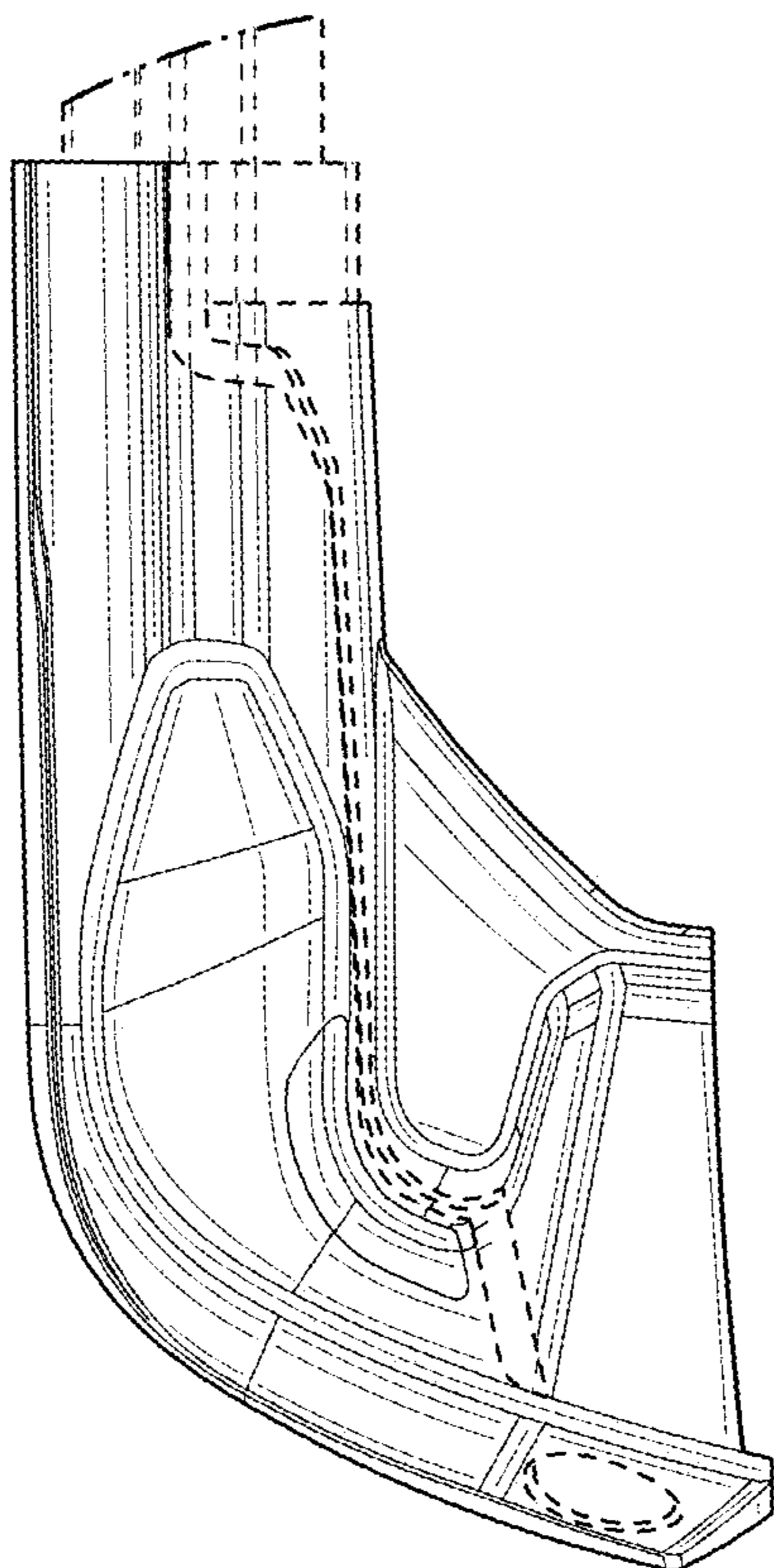


FIG. 11

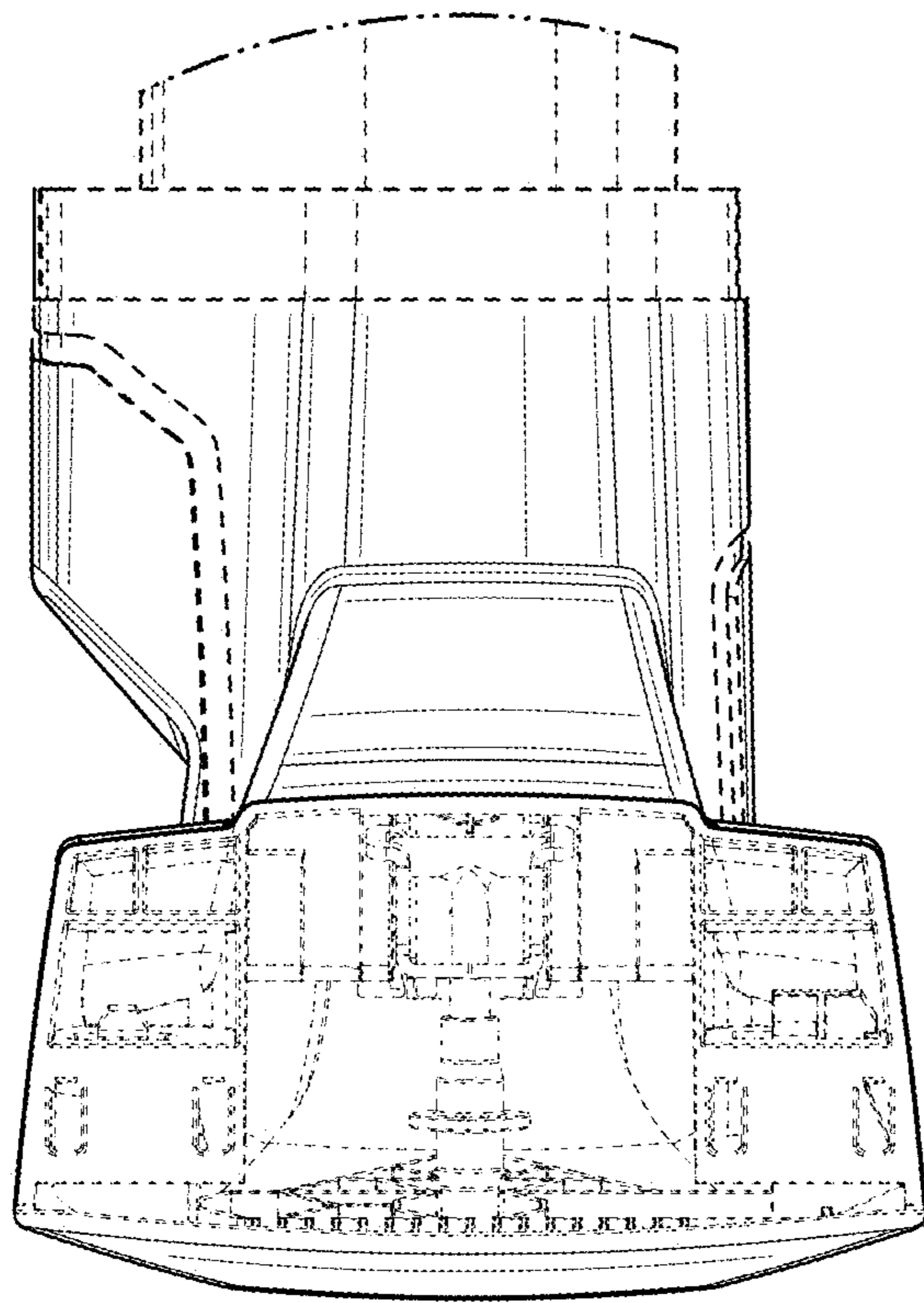


FIG. 13

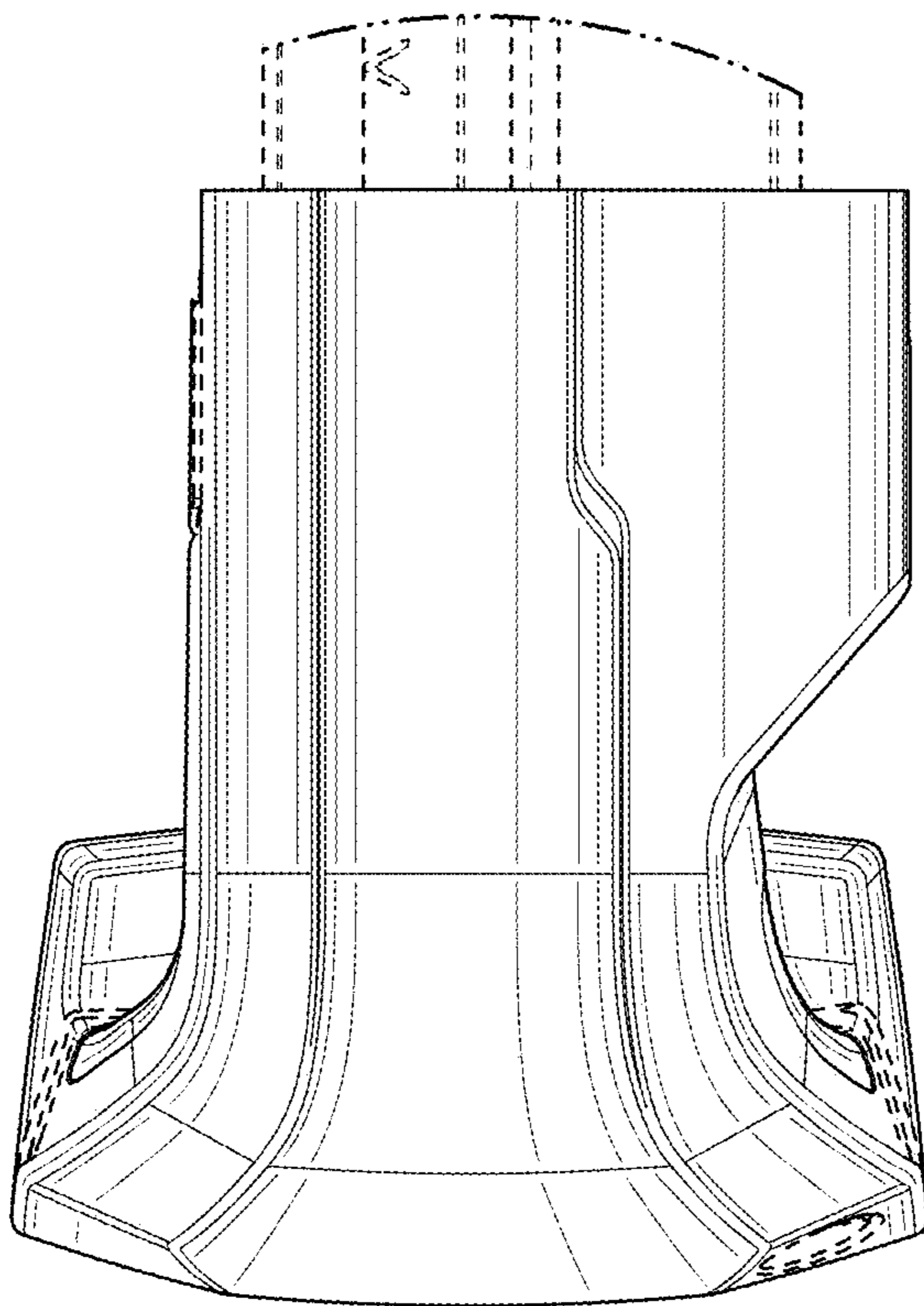


FIG. 12

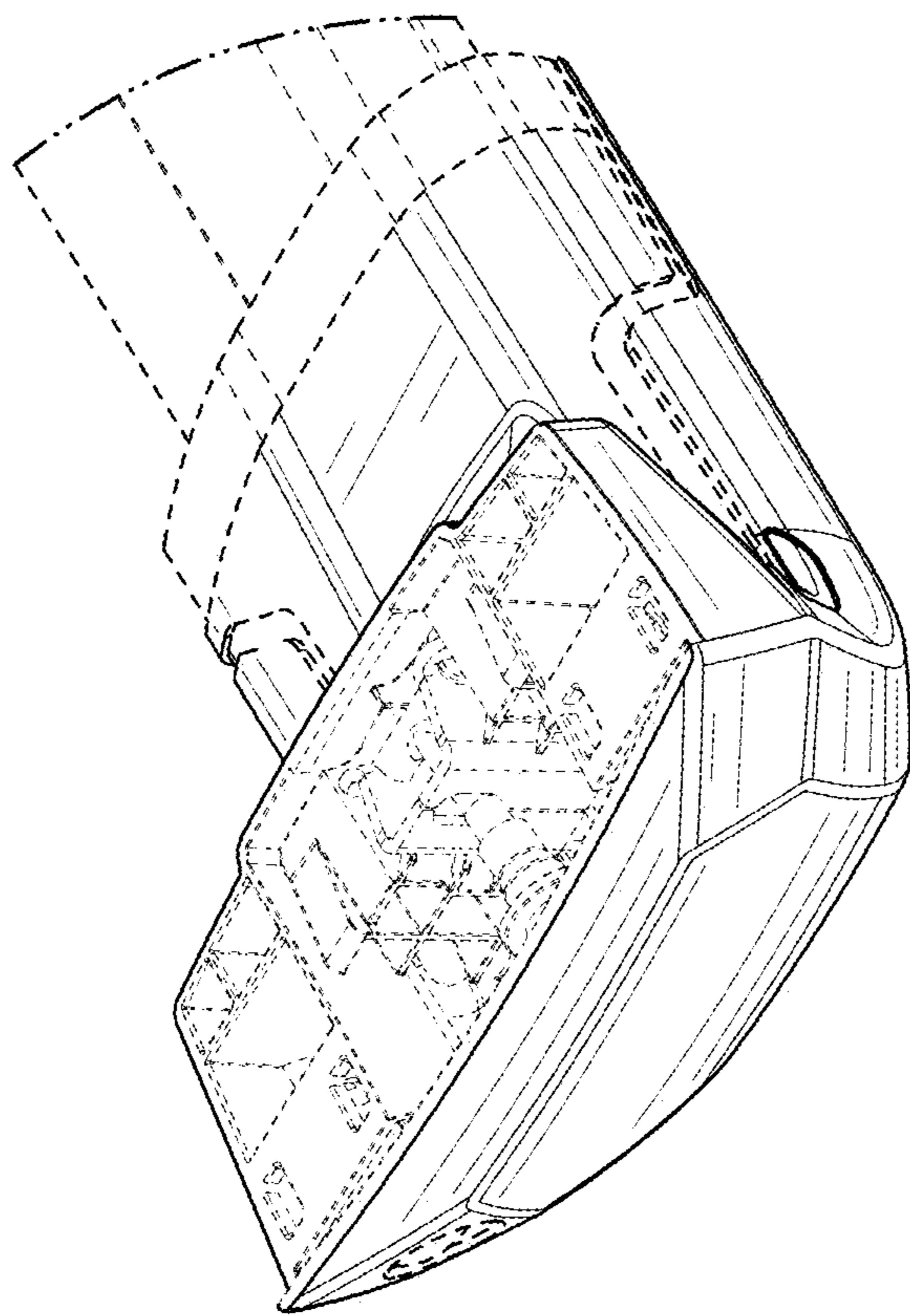


FIG. 14