



US00D906223S

(12) **United States Design Patent**  
**Larsson et al.**

(10) **Patent No.:** **US D906,223 S**  
(45) **Date of Patent:** **\*\* Dec. 29, 2020**

- (54) **CARRIER**
- (71) Applicant: **Thule Sweden AB**, Hillerstorp (SE)
- (72) Inventors: **Johan Larsson**, Jönköping (SE);  
**Joseph Settelmayer**, McKinleyville,  
CA (US)
- (73) Assignee: **Thule Sweden AB**, Hillerstorp (SE)
- (\*\*) Term: **15 Years**
- (21) Appl. No.: **29/723,020**
- (22) Filed: **Feb. 4, 2020**

**Related U.S. Application Data**

- (63) Continuation of application No. 29/663,317, filed on Sep. 13, 2018, now Pat. No. Des. 877,685.
- (51) **LOC (12) Cl.** ..... **12-16**
- (52) **U.S. Cl.**  
USPC ..... **D12/406**
- (58) **Field of Classification Search**  
USPC ..... D12/111, 115, 120, 159, 161, 169, 400,  
D12/402, 406-408, 412, 414, 414.1, 420;  
D3/304-306; D6/552, 716.3; D8/356  
CPC .. B60R 9/06; B60R 9/10; B60R 11/00; B60R  
9/048; Y10S 224/924  
See application file for complete search history.

(56) **References Cited**

**U.S. PATENT DOCUMENTS**

- 3,865,244 A \* 2/1975 Galen ..... B62H 3/08  
211/5
- 3,865,245 A \* 2/1975 Lieb ..... B62H 3/10  
211/5
- 3,883,002 A \* 5/1975 Moore ..... B62H 3/08  
211/18
- 3,964,611 A \* 6/1976 Galen ..... B62H 3/00  
211/5

- 4,126,228 A \* 11/1978 Bala ..... B62H 3/08  
211/22
- 4,629,104 A \* 12/1986 Jacquet ..... B60R 9/10  
211/17
- 5,025,932 A \* 6/1991 Jay ..... B60R 9/048  
211/20

(Continued)

**FOREIGN PATENT DOCUMENTS**

- CN 107380299 A 11/2017
- JP 2012035788 A 2/2012

**OTHER PUBLICATIONS**

Thule Helium Platform 2, Thule.com, [online], [site visited Oct. 13, 2020]. <URL: [https://www.thule.com/en-us/bike-rack/hitch-bike-racks/thule-helium-platform-2-\\_9040](https://www.thule.com/en-us/bike-rack/hitch-bike-racks/thule-helium-platform-2-_9040)> (Year: 2020).\*

(Continued)

*Primary Examiner* — T Chase Nelson  
*Assistant Examiner* — Jonathan J. Han  
(74) *Attorney, Agent, or Firm* — Sterne, Kessler,  
Goldstein & Fox P.L.L.C.

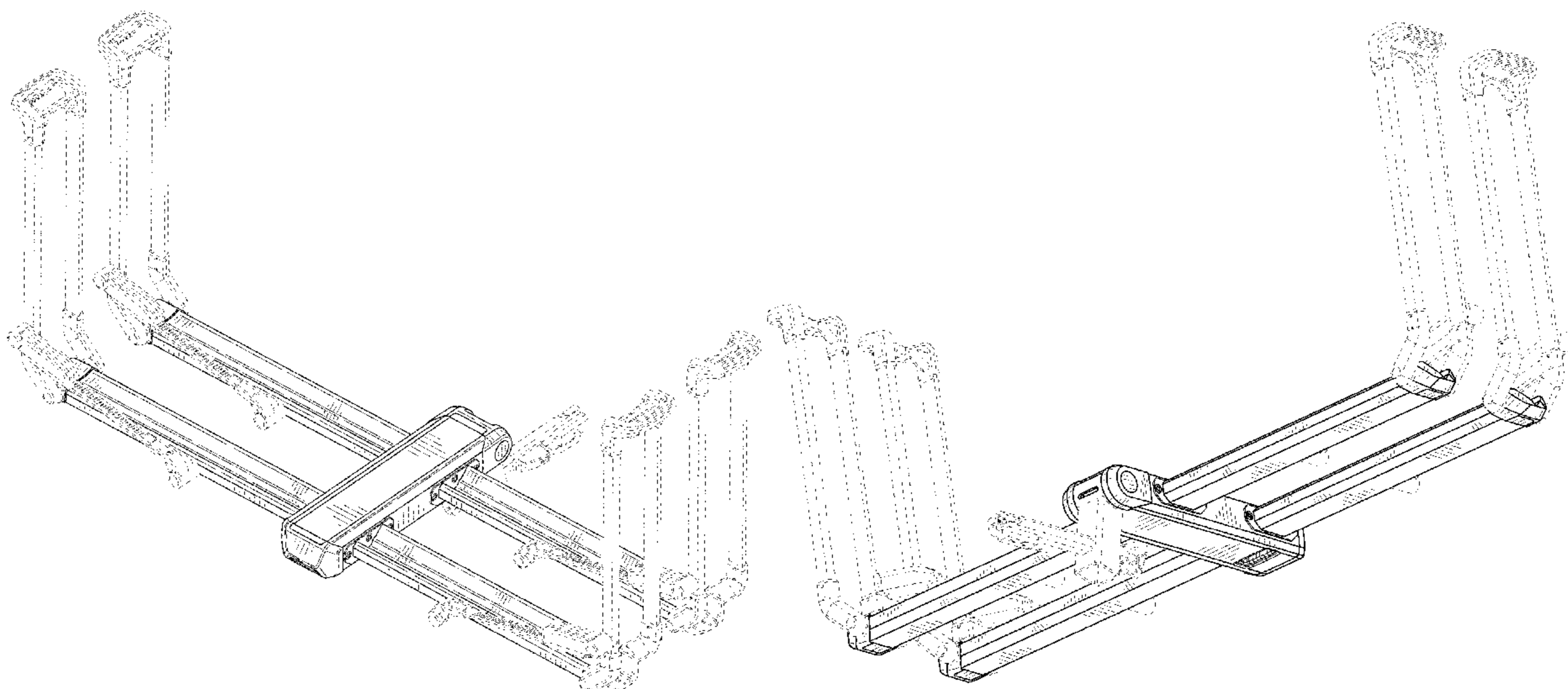
(57) **CLAIM**

The ornamental design for a carrier, as shown and described.

**DESCRIPTION**

FIG. 1 is a top front perspective view of a carrier showing the claimed design;  
FIG. 2 is a front view thereof;  
FIG. 3 is a rear view thereof;  
FIG. 4 is a left side view thereof;  
FIG. 5 is a right side view thereof;  
FIG. 6 is a top view thereof;  
FIG. 7 is a bottom view thereof; and,  
FIG. 8 is a bottom rear perspective view thereof.  
The broken lines in the figures show portions of the carrier that form no part of the claimed design.

**1 Claim, 8 Drawing Sheets**



(56)

References Cited

U.S. PATENT DOCUMENTS

5,526,971 A \* 6/1996 Despain ..... B60R 9/06  
224/519

5,833,074 A 11/1998 Phillips

5,947,357 A \* 9/1999 Surkin ..... B60R 9/06  
211/22

5,992,645 A \* 11/1999 West ..... B62H 3/04  
211/19

6,019,266 A 2/2000 Johnson

D467,218 S 12/2002 Peschmann et al.

6,491,195 B1 12/2002 McLemore et al.

6,588,603 B1 \* 7/2003 West ..... B62H 3/04  
211/19

6,761,297 B1 7/2004 Pedrini

7,044,347 B1 5/2006 Pedrini

D546,755 S 7/2007 Ezra

D548,170 S 8/2007 Ezra

7,815,083 B2 10/2010 Clausen et al.

D628,141 S 11/2010 Weaver et al.

D630,572 S 1/2011 Weaver et al.

8,047,412 B2 11/2011 Premartin et al.

D669,016 S \* 10/2012 Pozzi ..... D12/408

D672,704 S 12/2012 Grago

D684,917 S 6/2013 Williams

8,496,148 B2 7/2013 Farney

8,733,604 B2 5/2014 Murray et al.

D706,209 S 6/2014 Flaherty et al.

D717,717 S 11/2014 Williams

D722,289 S 2/2015 Williams

D727,831 S 4/2015 Eriksson et al.

D731,400 S \* 6/2015 Condon ..... D12/408

9,096,182 B1 \* 8/2015 Roth ..... B60R 9/06

9,393,912 B2 7/2016 Pedrini

9,393,913 B2 7/2016 Bukaric

9,555,744 B1 \* 1/2017 Roth ..... B60R 9/06

D788,019 S 5/2017 Kuschmeader et al.

9,649,986 B2 \* 5/2017 Pedrini ..... B60R 9/06

D789,276 S 6/2017 Adler

D790,434 S 6/2017 Adler

9,744,910 B2 8/2017 Prescott

D811,985 S 3/2018 Clark et al.

D813,784 S 3/2018 Larsson et al.

D817,256 S 3/2018 Adler et al.

10,183,627 B1 \* 1/2019 Liu ..... B60R 9/10

D877,685 S \* 3/2020 Larsson ..... D12/406

10,618,473 B2 \* 4/2020 Olaison ..... B60R 9/10

10,688,939 B2 \* 6/2020 Settelmayer ..... B60R 9/048

10,752,179 B2 \* 8/2020 Ramsdell ..... B60R 9/06

2002/0005422 A1 \* 1/2002 Nusbaum ..... B60R 9/10  
224/501

2002/0125279 A1 9/2002 Edgerly et al.

2003/0071097 A1 4/2003 Dean

2005/0199670 A1 \* 9/2005 Lloyd ..... B60R 9/06  
224/507

2008/0099522 A1 5/2008 Clausen et al.

2008/0230579 A1 \* 9/2008 Wang ..... B60R 9/10  
224/400

2009/0230162 A1 \* 9/2009 Wang ..... B60R 9/10  
224/519

2009/0236382 A1 9/2009 Sautter et al.

2010/0230455 A1 9/2010 Wang

2011/0011909 A1 1/2011 Liu

2013/0062385 A1 3/2013 Pedrini

2014/0076946 A1 \* 3/2014 Ressler ..... B60R 9/10  
224/281

2014/0183237 A1 \* 7/2014 Wolfe ..... B60R 9/10  
224/403

2014/0308101 A1 \* 10/2014 Brutsaert ..... B60R 9/10  
414/462

2015/0232041 A1 \* 8/2015 Wolfe ..... B60P 3/077  
224/403

2017/0349111 A1 \* 12/2017 Ramsdell ..... B60R 9/06

2020/0156724 A1 \* 5/2020 Kuschmeader ..... B60R 9/10

OTHER PUBLICATIONS

Thule Helium Platform 2 Bike Rack Review and Demo, YouTube.com, U-Haul Trailer Hitches and Towing, Jun. 17, 2020, [online], [site visited Oct. 13, 2020]. <URL: <https://www.youtube.com/watch?v=-10HhF7e6QQ>> (Year: 2020).\*

Best Bike Rack or Carrier Options, CompleteTri.com, Admin, Jul. 3, 2019, [online], [site visited Sep. 23, 2019]. <URL: <https://completetri.com/best-bike-rack-or-carrier-options/>> (Year: 2019).

Thule 9035XT T2 Pro Bike Carrier, Two-Bike, Llbean.com, [online], [site visited Sep. 23, 2019]. <URL: <https://www.llbean.com/llb/shop/117658?page=thule-9035xt-t2-pro-bike-carrier-two-bike>> (Year: 2019).

Kuat Racks NV Base 2.0 Add On Bike Rack (2 Pack), Sandy Matte Black, 2", Amazon.com, [online], [site visited Sep. 23, 2019]. <URL: [https://www.amazon.com/dp/B01M3R9K2K/ref=sspa\\_dk\\_detail\\_7?psc=1&smid=A3861ER85LFQA&spLa=ZW5jcnlwdGVkUXVhbGimaWVhPUEzUE5VVEgyMUIGUig2JmV](https://www.amazon.com/dp/B01M3R9K2K/ref=sspa_dk_detail_7?psc=1&smid=A3861ER85LFQA&spLa=ZW5jcnlwdGVkUXVhbGimaWVhPUEzUE5VVEgyMUIGUig2JmV)> (Year: 2019).

Thule 9032 EasyFold Carrier, Amazon.com, [online], [site visited Sep. 23, 2019]. <URL: <https://www.amazon.com/Thule-9032-EasyFold-Carrier/dp/B00FSRNH4G>> (Year: 2019).

\* cited by examiner

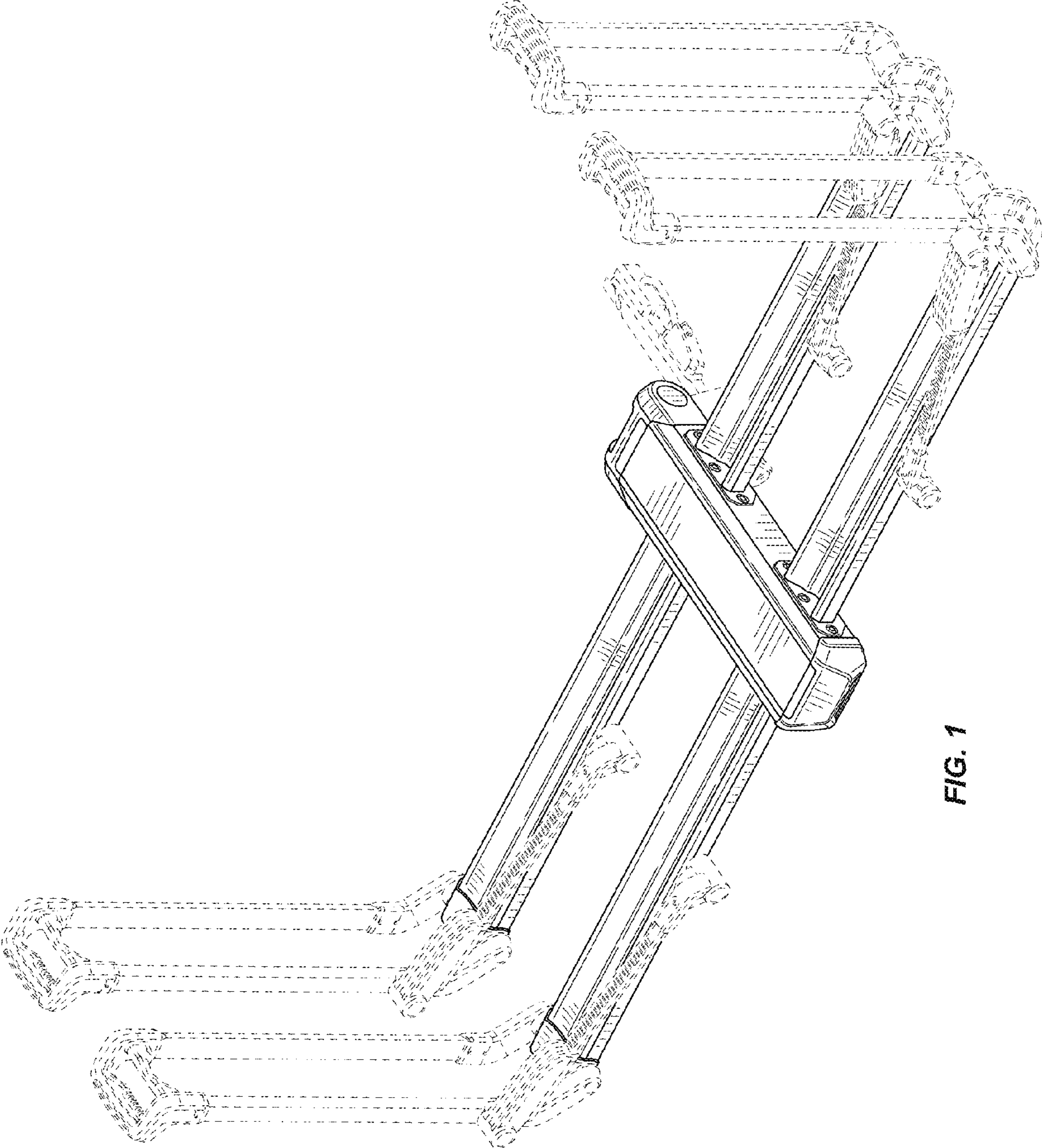


FIG. 1

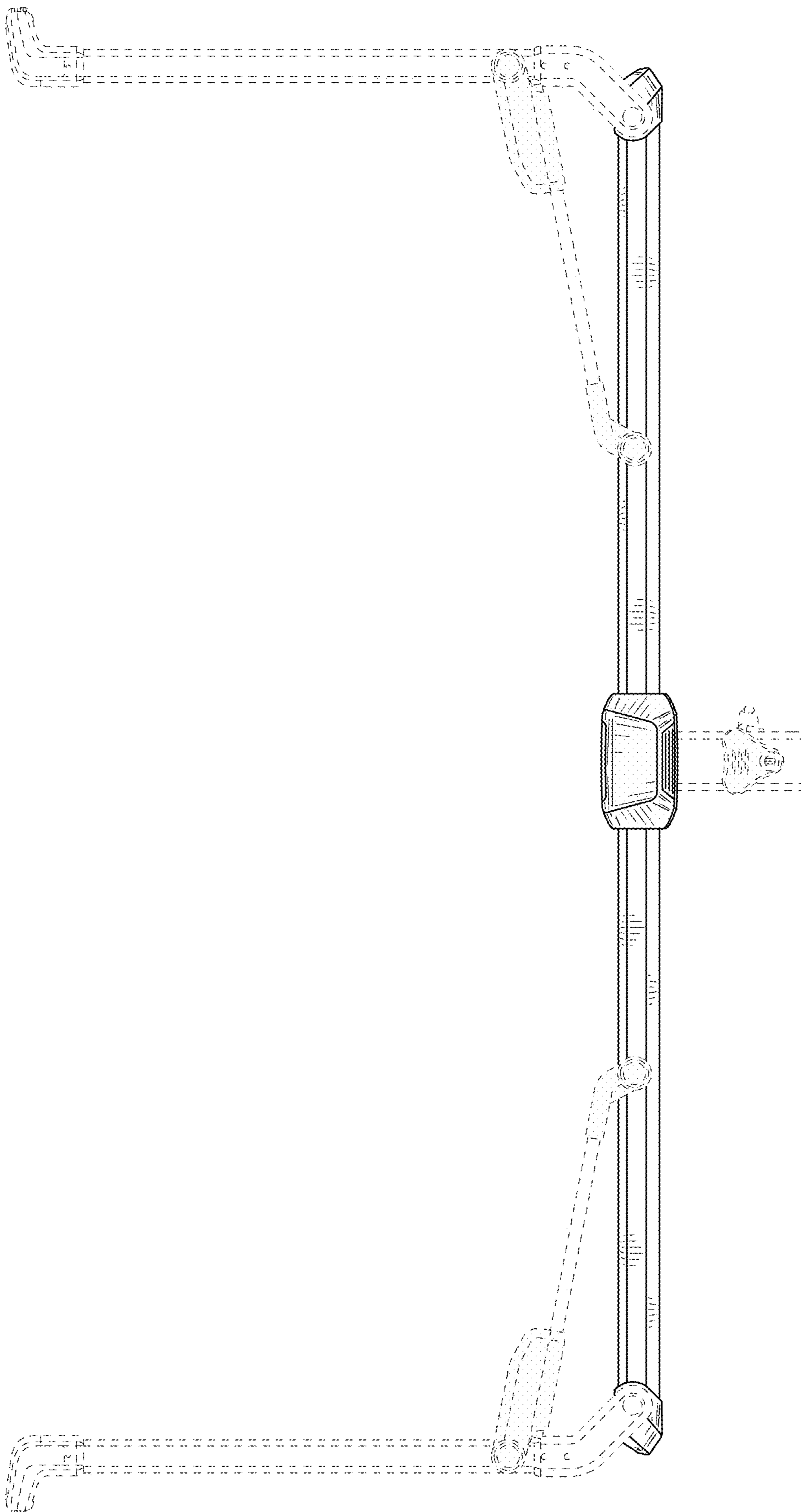


FIG. 2

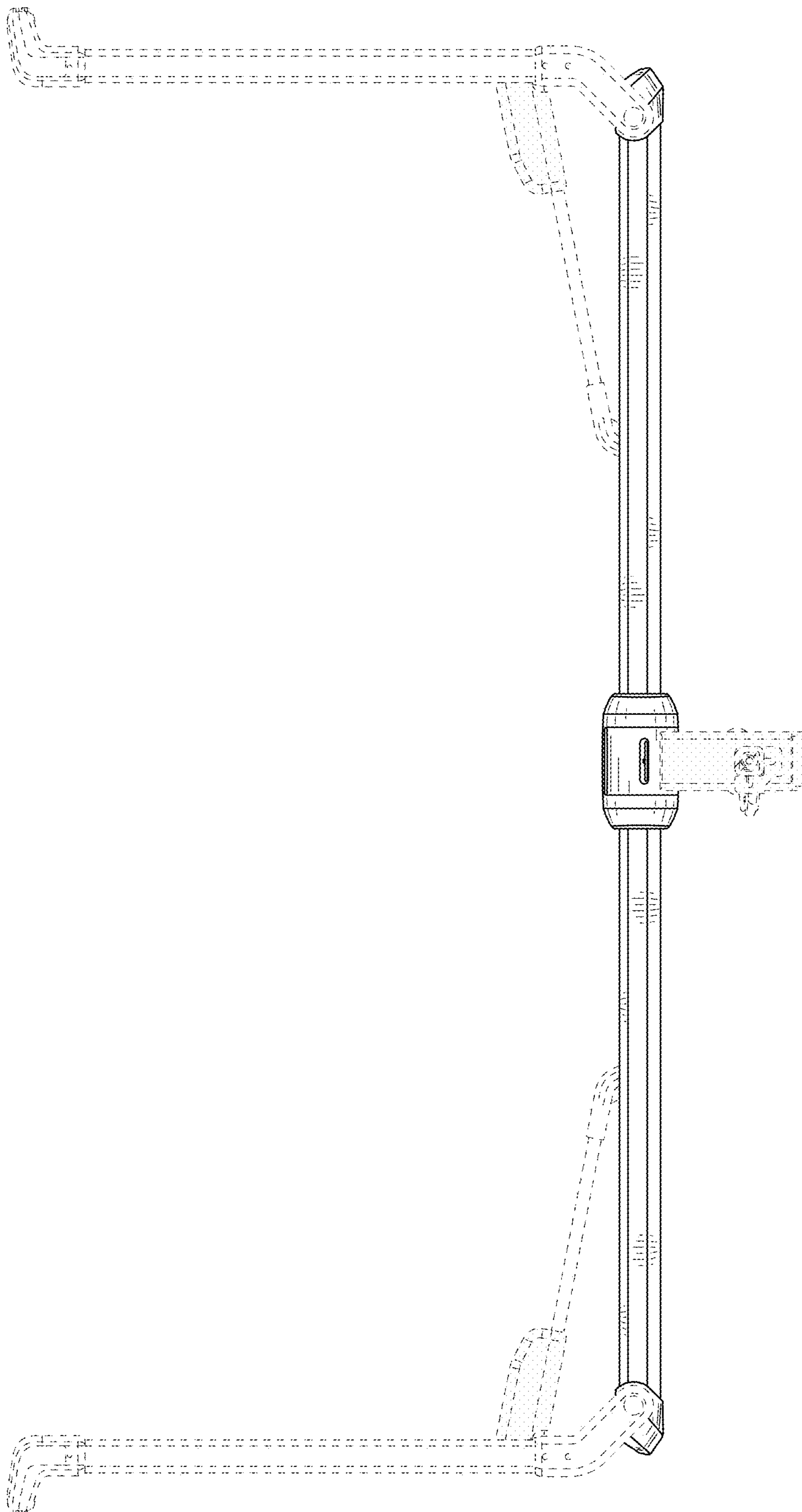


FIG. 3

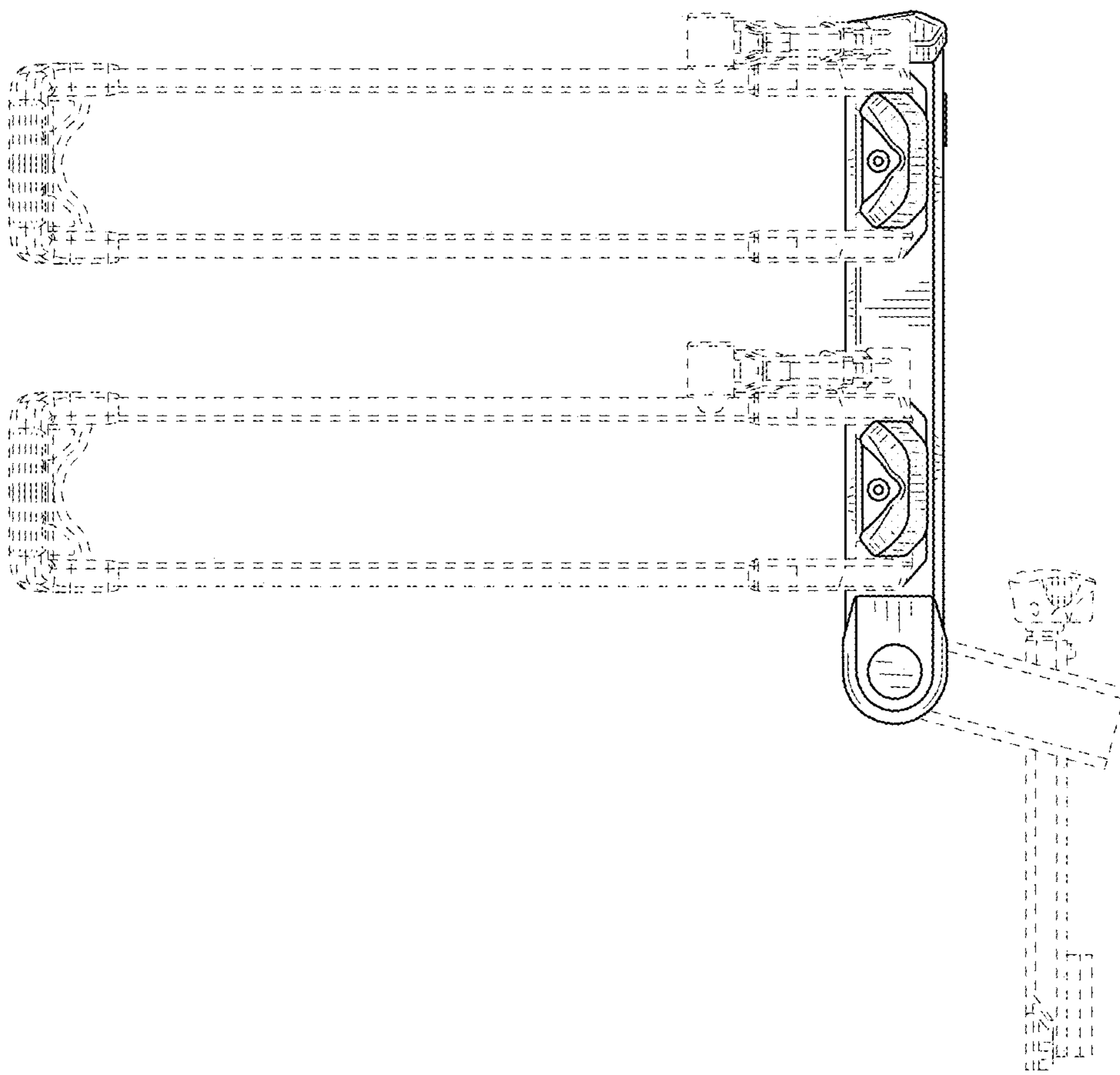


FIG. 4

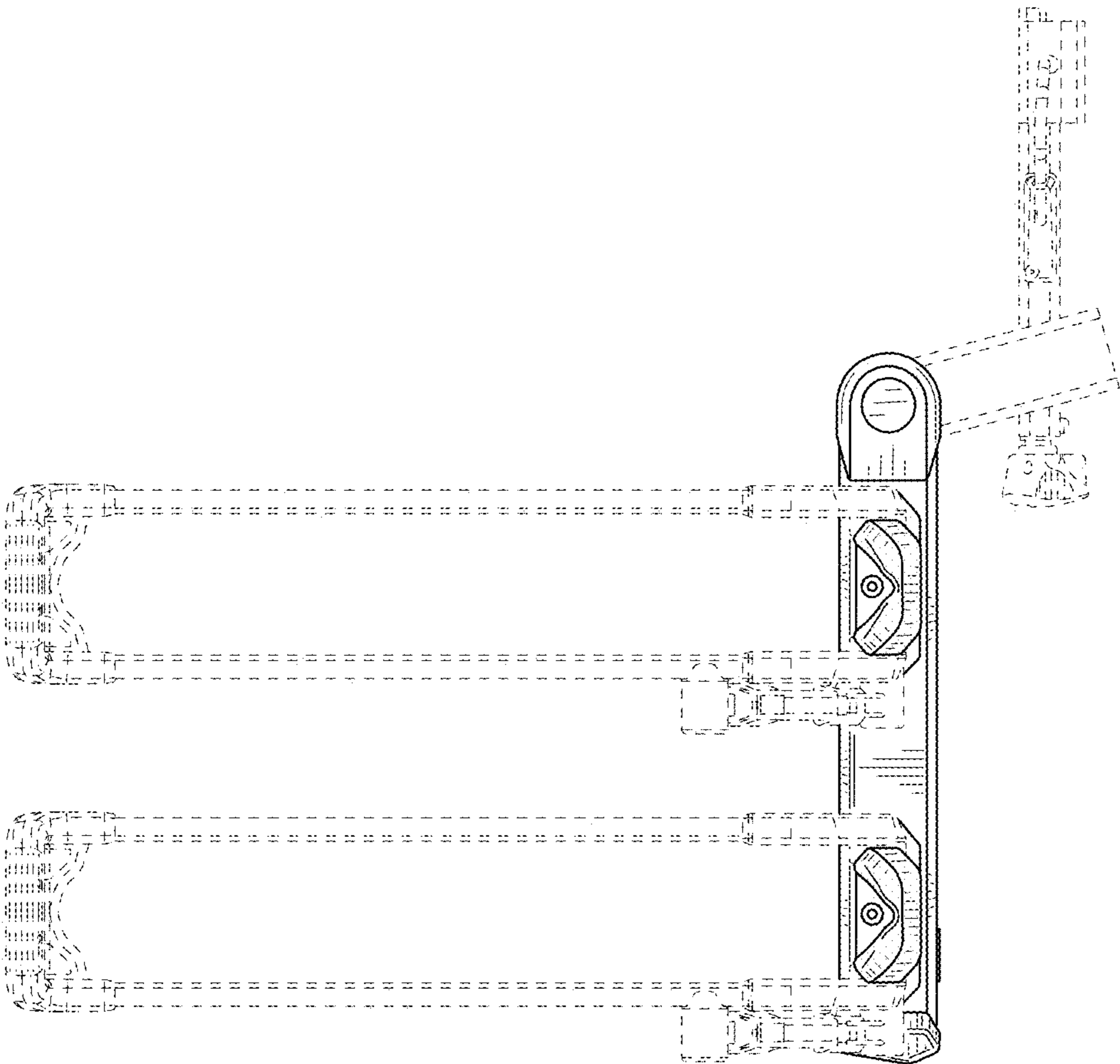


FIG. 5

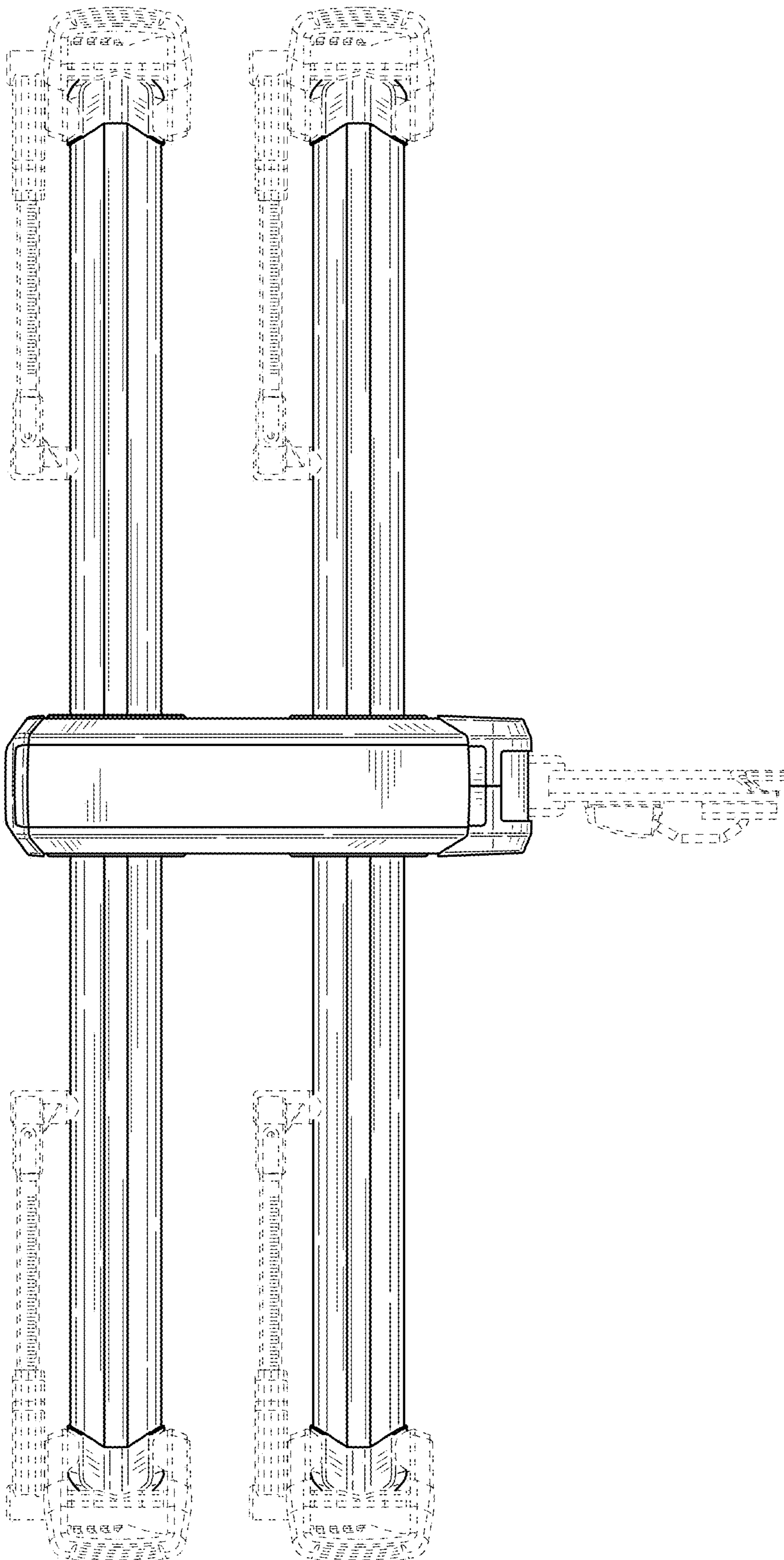


FIG. 6



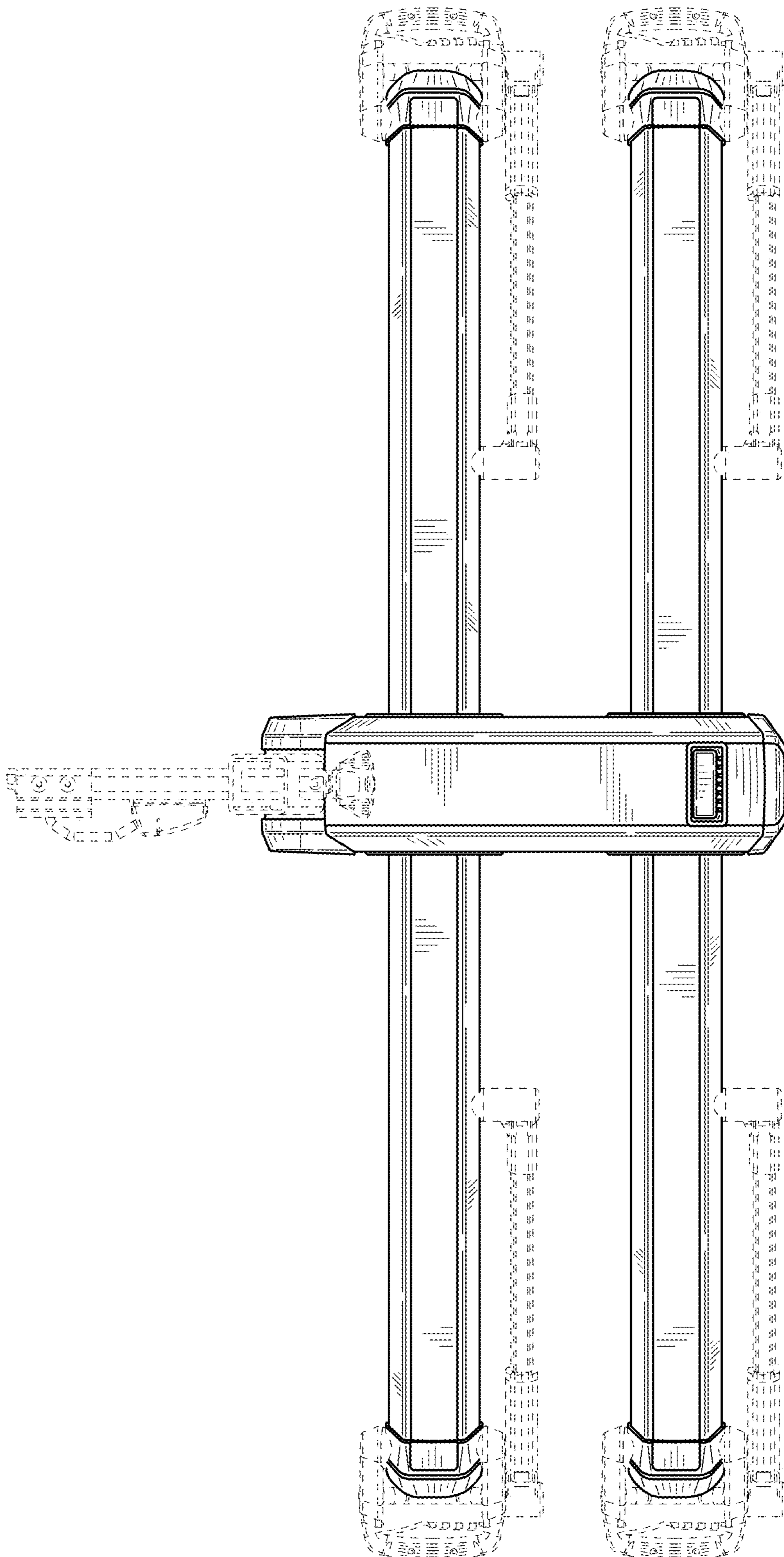


FIG. 7

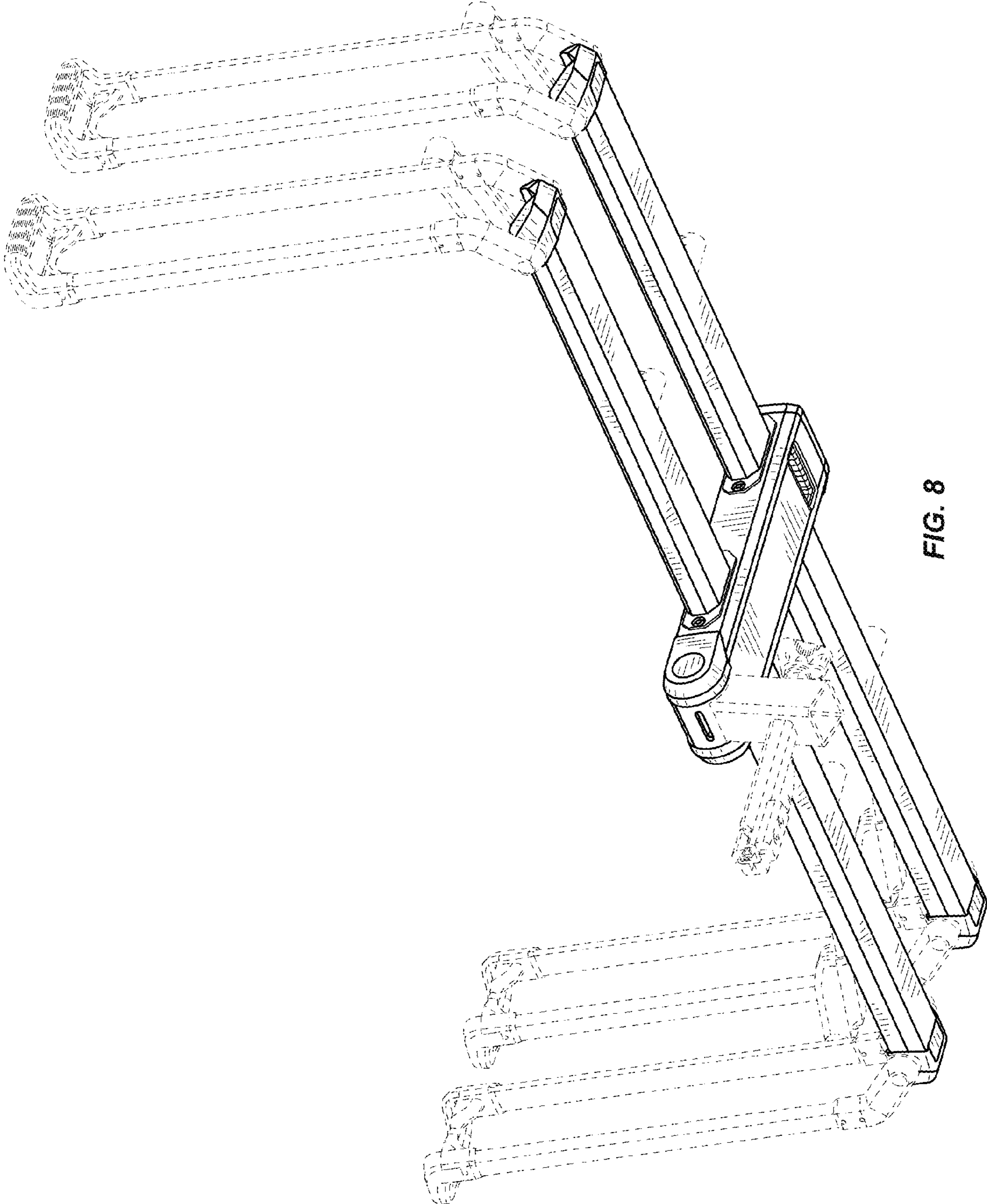


FIG. 8