



US00D906222S

(12) **United States Design Patent**
Ratzlaff

(10) **Patent No.:** **US D906,222 S**
(45) **Date of Patent:** **** Dec. 29, 2020**

(54) **DUMP TRUCK LOAD DIVERTER**

(71) Applicant: **Roy Ratzlaff**, Cle Elum, WA (US)

(72) Inventor: **Roy Ratzlaff**, Cle Elum, WA (US)

(**) Term: **15 Years**

(21) Appl. No.: **29/699,289**

(22) Filed: **Jul. 24, 2019**

(51) **LOC (12) Cl.** **12-08**

(52) **U.S. Cl.**
USPC **D12/400**

(58) **Field of Classification Search**
USPC D12/1, 3, 12, 14, 15, 16, 82, 85, 86, 87,
D12/88, 400, 406-414.1, 196, 223;
D21/368, 423, 433, 434, 484, 504, 505,
D21/533, 539, 548, 550, 551, 552, 559,
D21/763; D34/12, 23, 28, 34; D15/199;
D9/769; D25/23, 26; D28/8.1; D1/100;
D24/152
CPC .. B62D 55/00; B62D 55/14; B60Y 2200/124;
B60Y 2200/20; B60Y 2200/24; B60Y
2200/25; B60Y 2200/42; B60Y 2200/40;
B60P 1/00; B60P 1/38; B65D 5/008;
B65D 5/208; B65D 5/2071; B65D
5/2061; E04B 2002/021; E04B
2002/0219; B61D 47/00; B65G 1/0435;
G09B 23/04

See application file for complete search history.

(56) **References Cited**

U.S. PATENT DOCUMENTS

RE6,783 E * 12/1875 Bailey 298/7
490,680 A * 1/1893 Roberts B65D 5/008
229/116
1,471,943 A * 10/1923 Chambers A63F 9/12
273/157 R
1,548,255 A 8/1925 Chenoweth

1,597,105 A 8/1926 Pardee
2,878,053 A 3/1959 Yuncker
2,935,238 A * 5/1960 Koehler B65D 5/3607
229/116
3,024,932 A * 3/1962 Dodgen B60P 1/42
414/489
3,729,230 A 4/1973 Tomlinson, Jr. et al.
4,258,479 A * 3/1981 Roane A63H 33/046
434/211
4,317,592 A 3/1982 Newman et al.
4,723,382 A * 2/1988 Lalvani E04B 1/3211
273/157 R
4,986,464 A * 1/1991 Leigh B65D 5/008
206/459.1
6,074,159 A 6/2000 Scharf et al.
6,764,138 B1 * 7/2004 Johnas B60P 1/04
298/1 B
8,979,608 B2 * 3/2015 Hawthorne A63H 33/04
446/109

* cited by examiner

Primary Examiner — Karen E Kearney
Assistant Examiner — Adam C Mager
(74) *Attorney, Agent, or Firm* — Seed IP Law Group
LLP; Jared M. Barrett

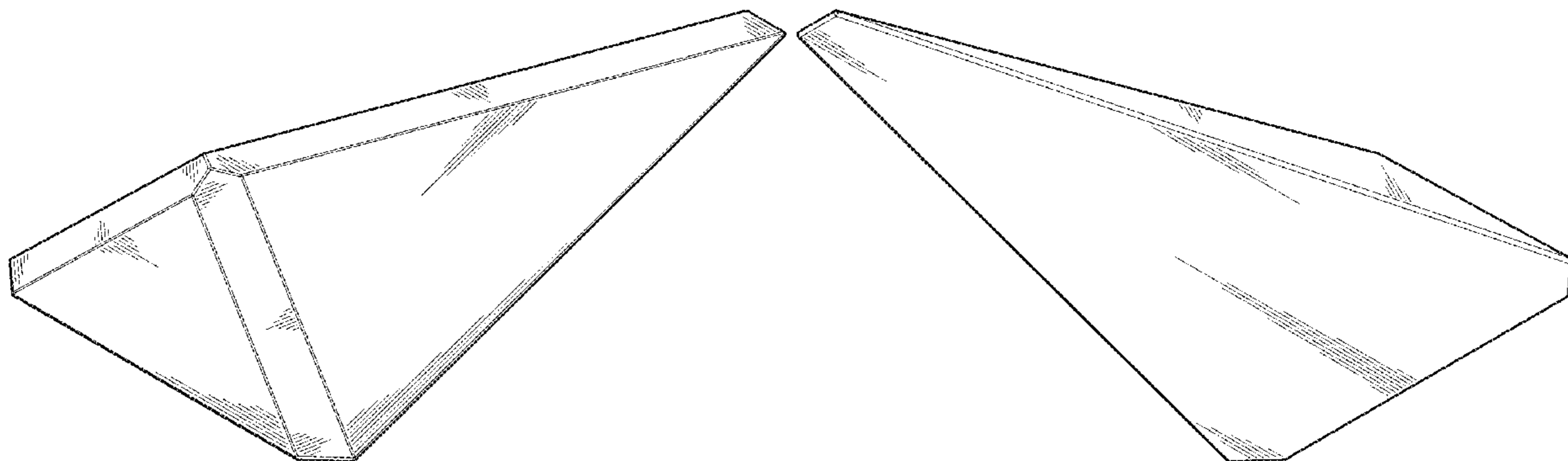
(57) **CLAIM**

The ornamental design for a dump truck load diverter, as shown and described.

DESCRIPTION

FIG. 1 is a top isometric view of a dump truck load diverter showing my new design.
FIG. 2 is a bottom isometric view thereof.
FIG. 3 is a front view thereof.
FIG. 4 is a rear view thereof.
FIG. 5 is a right side view thereof.
FIG. 6 is a left side view thereof.
FIG. 7 is a top view thereof; and,
FIG. 8 is a bottom view thereof.

1 Claim, 3 Drawing Sheets



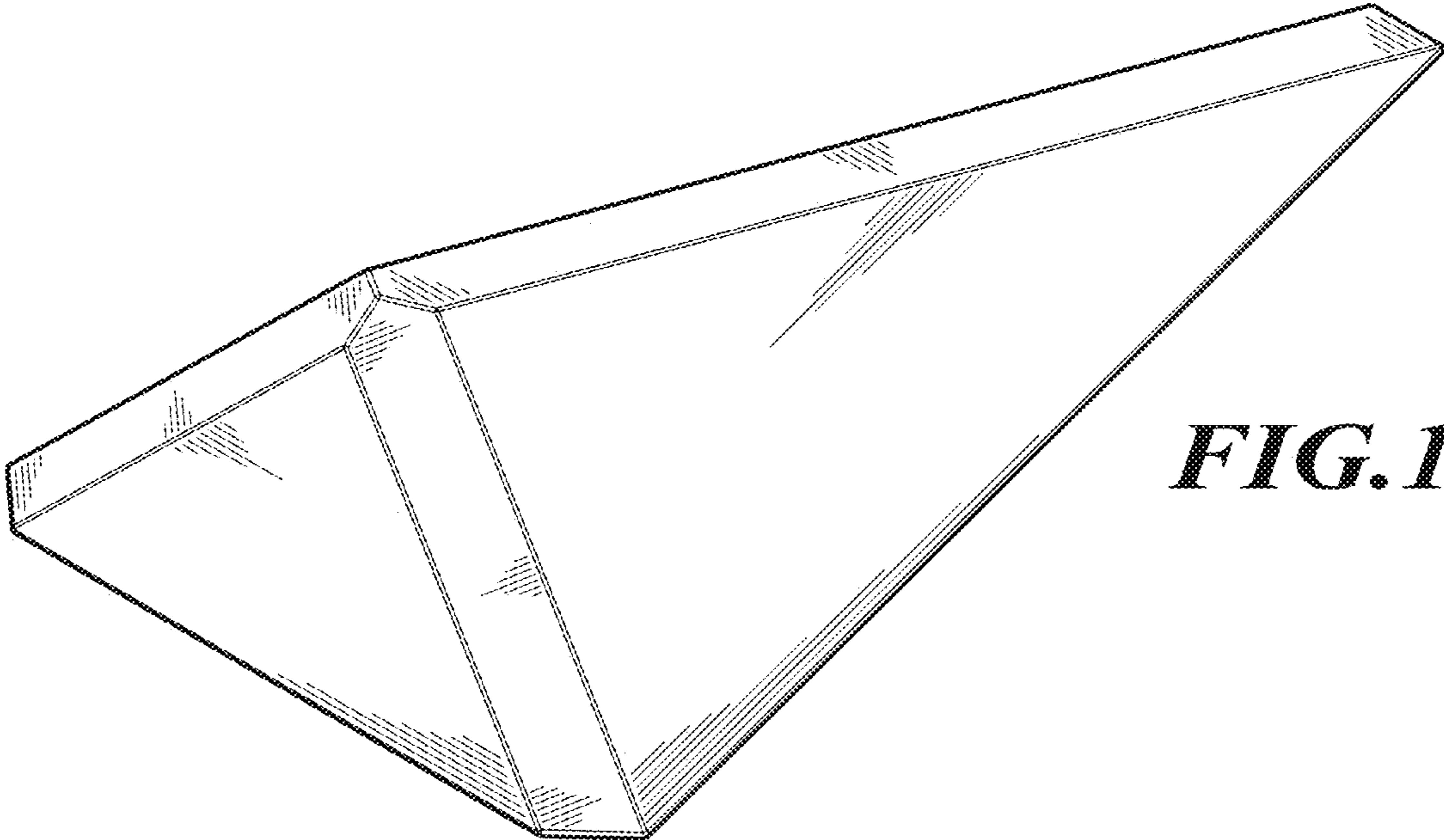


FIG. 1

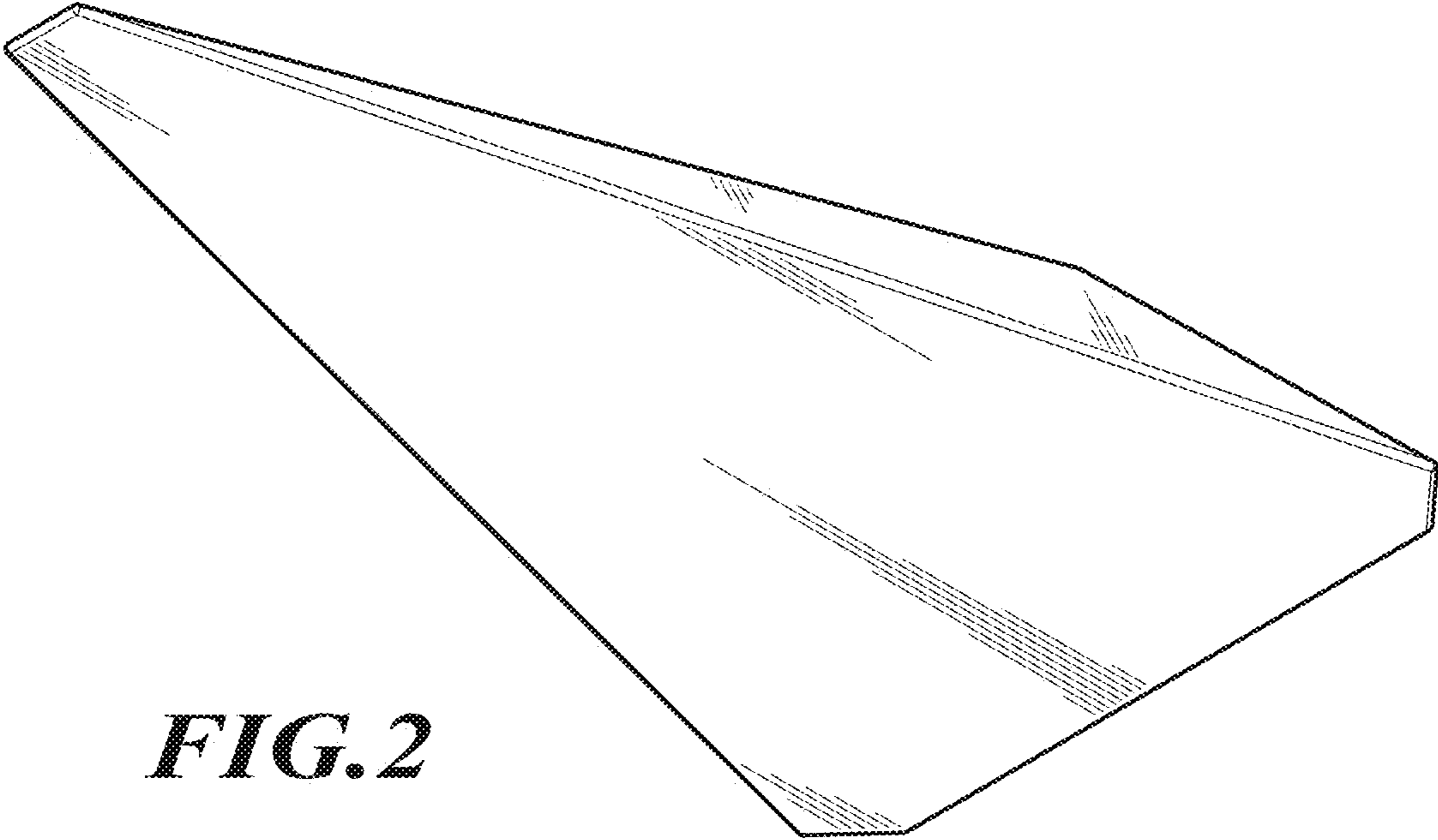


FIG. 2

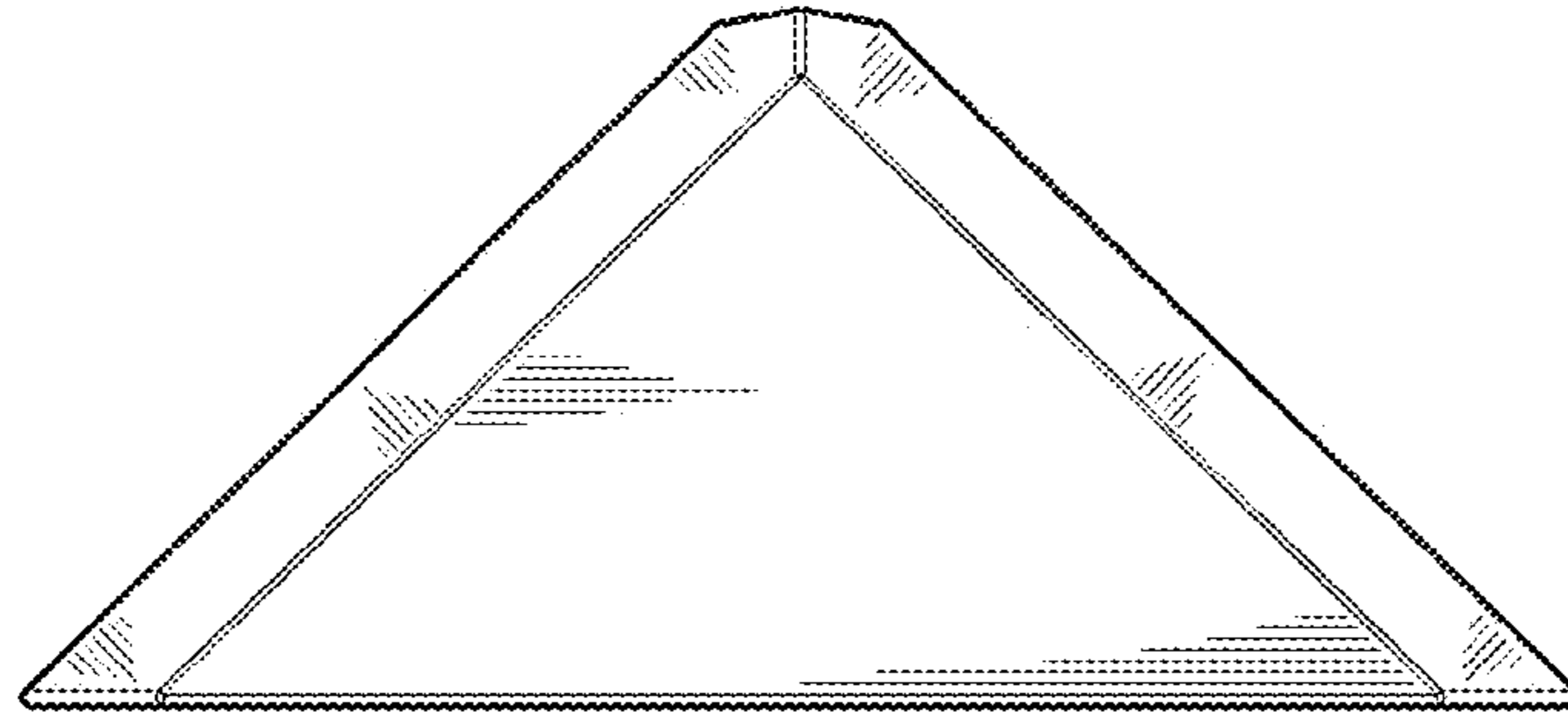


FIG. 3

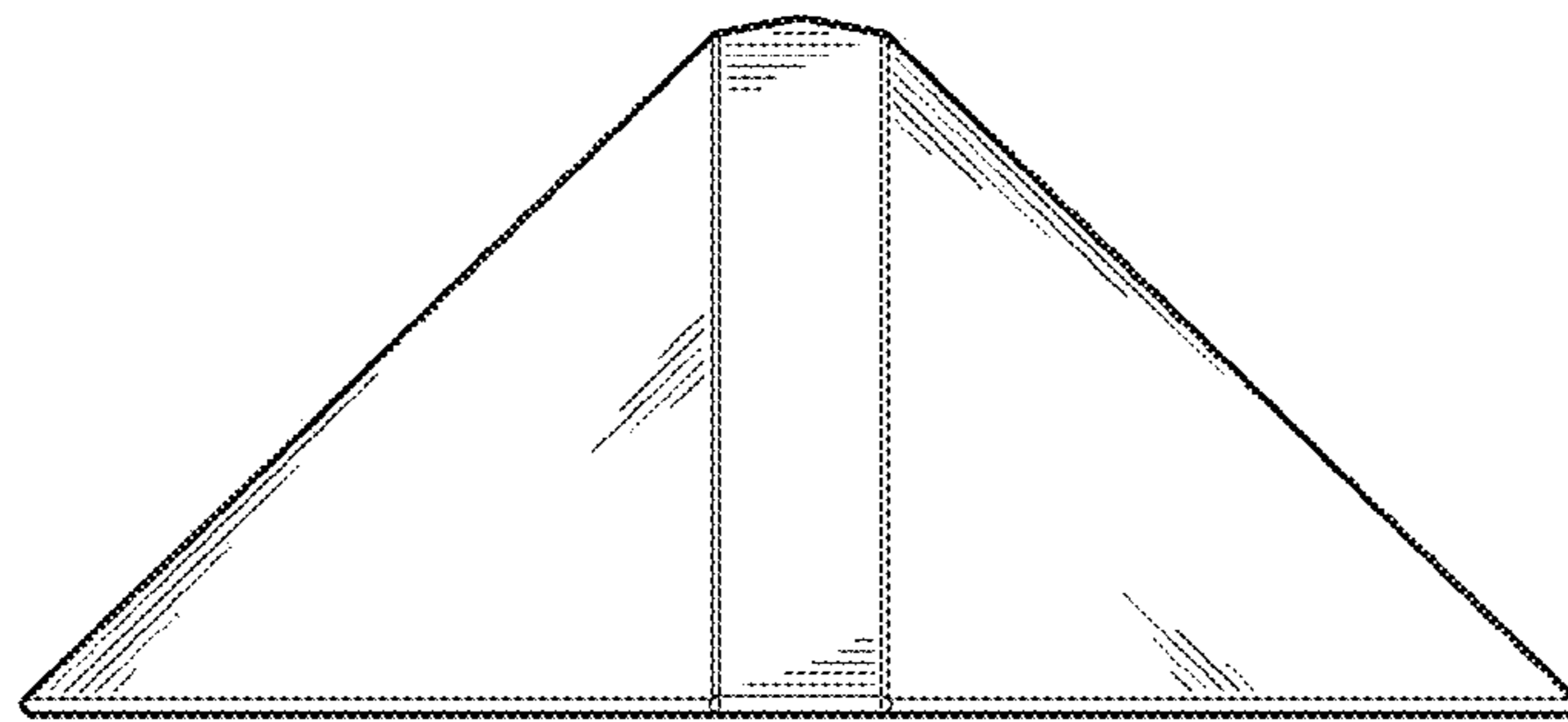


FIG. 4

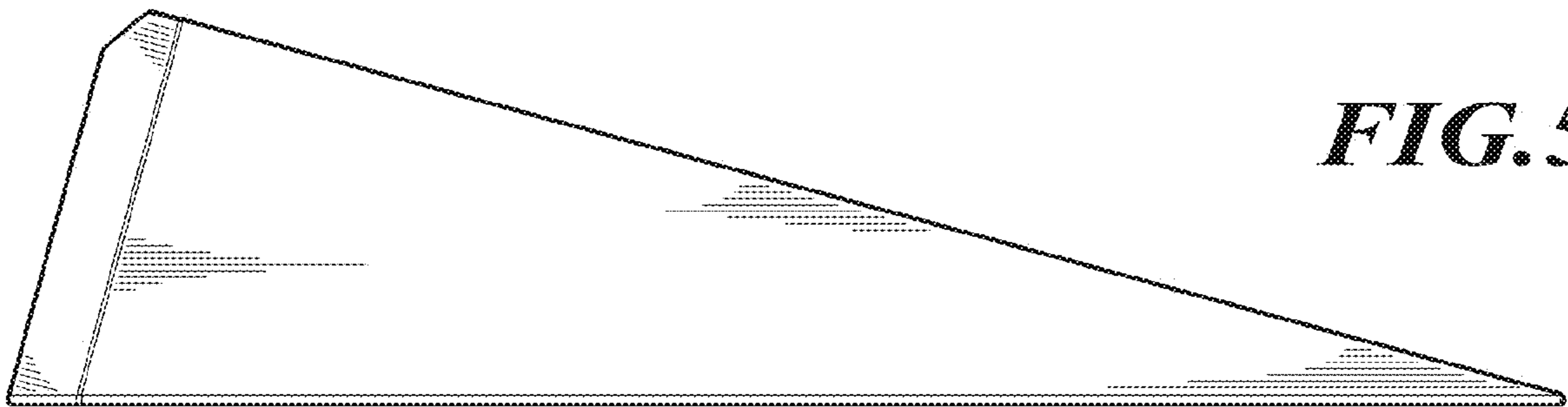


FIG. 5

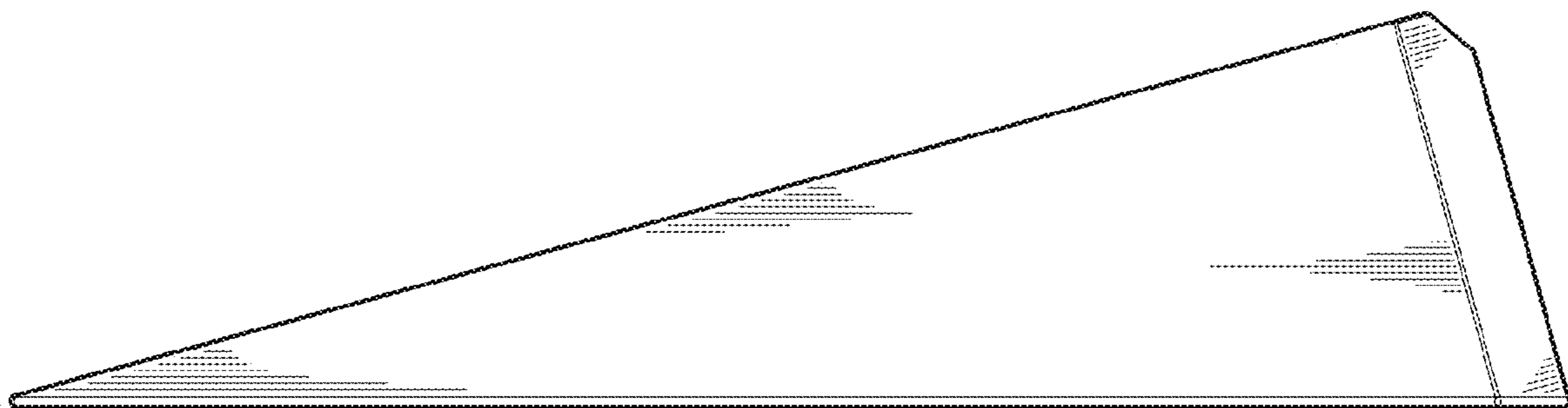


FIG. 6

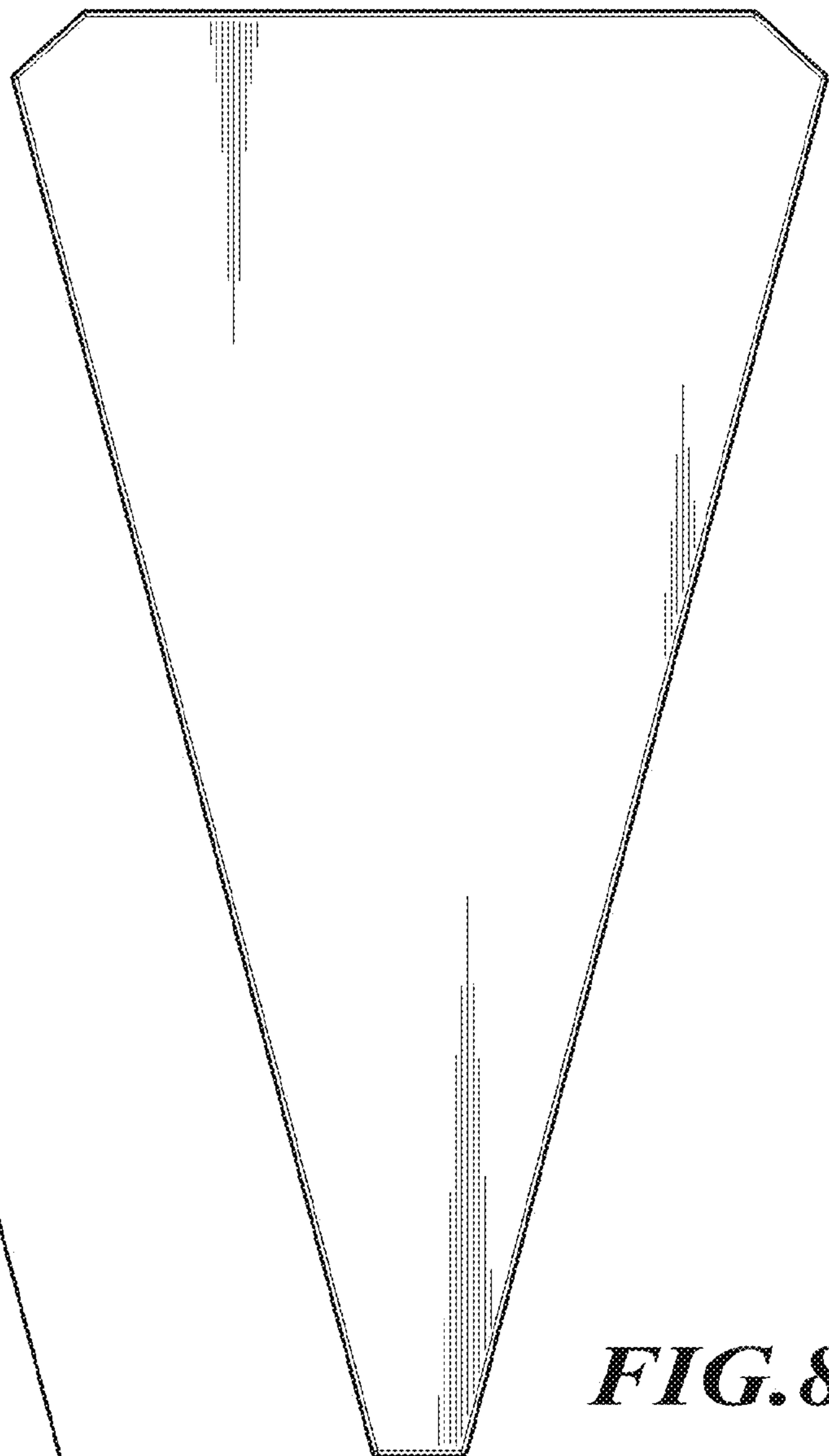
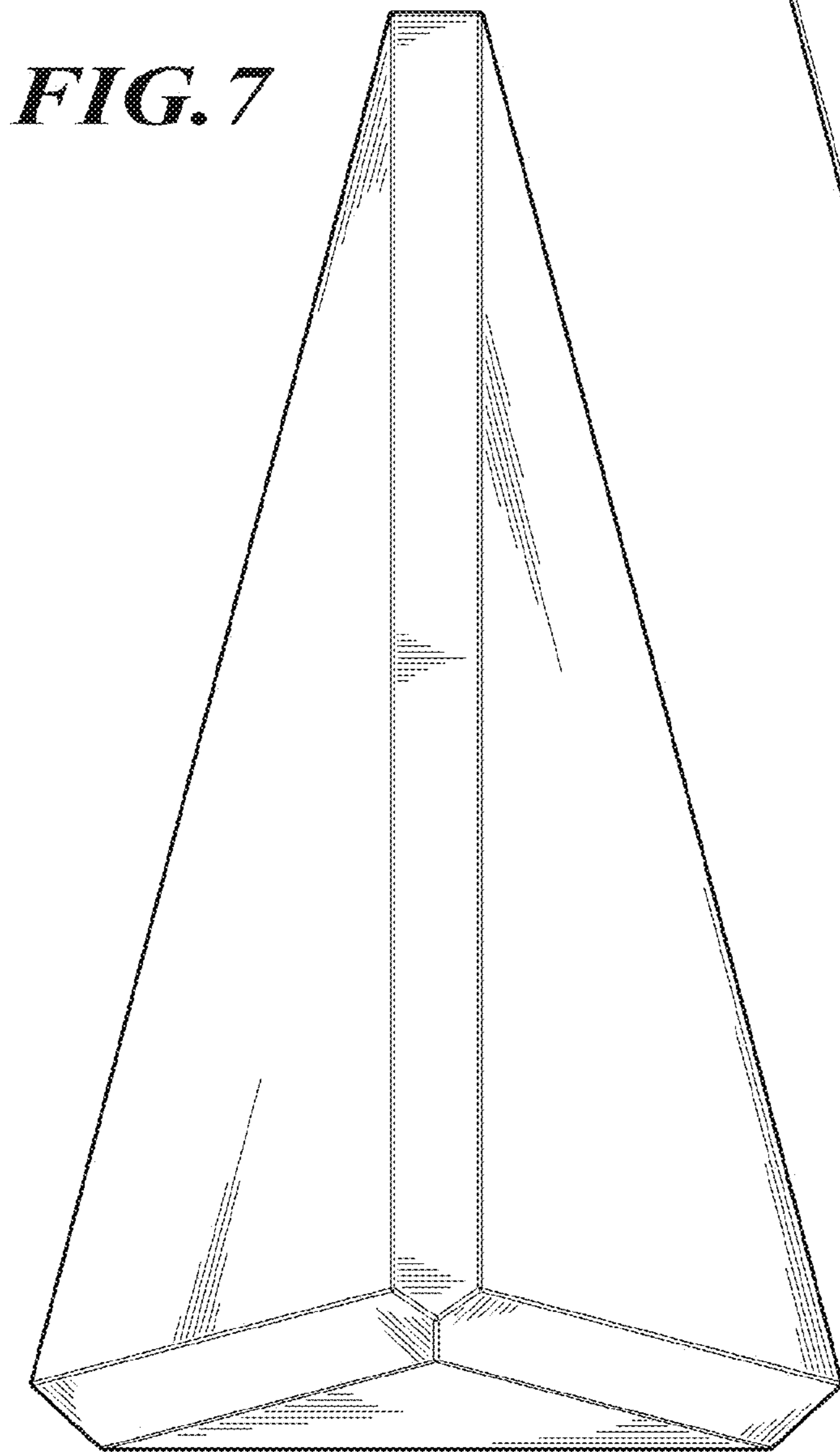


FIG. 8