



US00D906221S

(12) **United States Design Patent** (10) **Patent No.:** **US D906,221 S**  
**Zuchoski et al.** (45) **Date of Patent:** **\*\* Dec. 29, 2020**

(54) **SKI MOUNT FOR A SNOW VEHICLE**

FOREIGN PATENT DOCUMENTS

(71) Applicant: **CAMSO INC.**, Magog (CA)

CA 173023 4/2018  
CA 173024 4/2018

(72) Inventors: **Jeremie Zuchoski**, Sherbrooke (CA);  
**Bernard Jean**, St-Mathieu du Parc  
(CA); **Guillaume Laplante**, Sherbrooke  
(CA)

(Continued)

OTHER PUBLICATIONS

(73) Assignee: **CAMSO INC.**, Magog (CA)

International Search Report and Written Opinion issued in connection with PCT/CA2016/051005 dated Nov. 2, 2016.

(\*\*) Term: **15 Years**

(Continued)

(21) Appl. No.: **29/593,521**

*Primary Examiner* — Sandra Snapp  
*Assistant Examiner* — Ieisha N Price

(22) Filed: **Feb. 9, 2017**

(74) *Attorney, Agent, or Firm* — Smart & Biggar LLP

(51) **LOC (12) Cl.** ..... **12-16**

(52) **U.S. Cl.**  
USPC ..... **D12/223**

(57) **CLAIM**

We claim the ornamental design for a ski mount for a snow vehicle, as shown and described.

(58) **Field of Classification Search**  
USPC ..... D12/7, 9, 10, 11, 317, 400, 406, 412,  
D12/414, 223

CPC ..... B62D 55/04; B62D 55/07; B62D 55/084;  
B62D 55/305; B62B 17/02; B62B  
13/046; B62B 17/04

**DESCRIPTION**

See application file for complete search history.

FIG. 1 is a front perspective view of a ski mount for a snow vehicle;

FIG. 2 is a front elevation view of the ski mount for a snow vehicle of FIG. 1;

FIG. 3 is a rear elevation view of the ski mount for a snow vehicle of FIG. 1;

FIG. 4 is a left side elevation view of the ski mount for a snow vehicle of FIG. 1;

FIG. 5 is a right side elevation view of the ski mount for a snow vehicle of FIG. 1;

FIG. 6 is a top plan view of the ski mount for a snow vehicle of FIG. 1; and,

FIG. 7 is a bottom plan view of the ski mount for a snow vehicle of FIG. 1.

The broken lines in the drawings illustrate portions of the ski mount for a snow vehicle and do not form part of the claimed design.

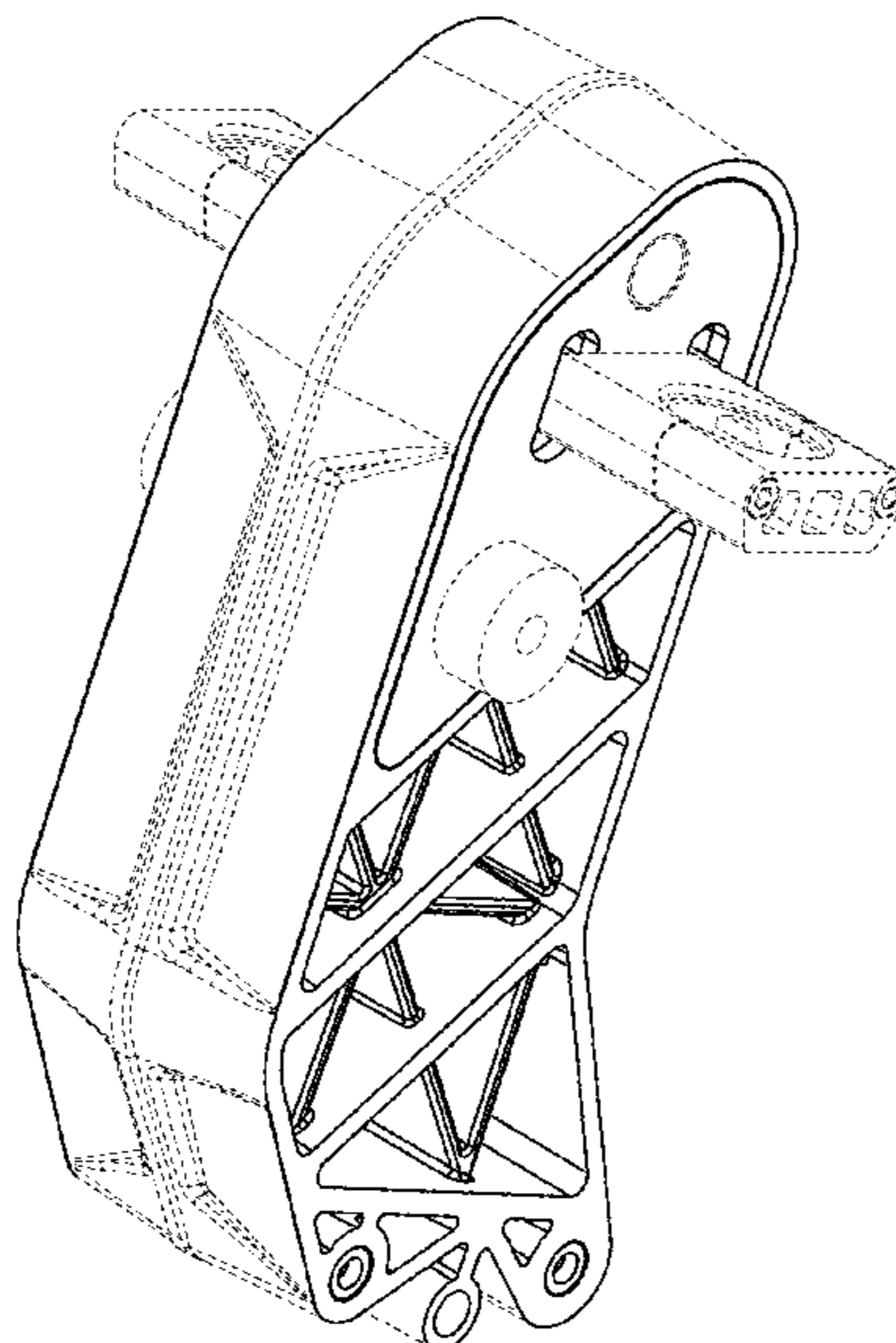
(56) **References Cited**

U.S. PATENT DOCUMENTS

2,874,005 A	2/1959	Engstrom	
3,613,811 A	10/1971	Brandli et al.	
3,675,939 A	7/1972	Vik	
3,754,798 A	8/1973	Chaumont et al.	
3,817,544 A	6/1974	Labelle	
3,822,755 A	7/1974	Hine	
3,879,092 A	4/1975	Rose	
D243,517 S	3/1977	Belanger et al.	
4,491,333 A	1/1985	Warnke	
4,502,560 A	3/1985	Hisatomi	
4,613,006 A	9/1986	Moss et al.	
D300,914 S *	5/1989	Arvidsson	224/323
5,203,424 A	4/1993	Gogo et al.	

(Continued)

**1 Claim, 3 Drawing Sheets**



(56)

References Cited

U.S. PATENT DOCUMENTS

5,474,146 A 12/1995 Yoshioka et al.  
 D394,975 S \* 6/1998 Wilkening ..... D12/115  
 6,112,840 A 9/2000 Forbes  
 6,267,392 B1 7/2001 Noble  
 6,431,301 B1 8/2002 Forbes  
 D465,744 S \* 11/2002 Mallette ..... D12/7  
 D469,036 S 1/2003 Bruns et al.  
 D471,842 S 3/2003 Mallette et al.  
 D473,488 S 4/2003 Mallette et al.  
 D473,489 S 4/2003 Mallette et al.  
 D479,813 S \* 9/2003 Cadotte ..... D12/7  
 6,631,912 B2 10/2003 Metheny  
 6,991,056 B2 1/2006 Roberts et al.  
 7,017,695 B2 3/2006 Meunier et al.  
 7,040,438 B2 5/2006 Yoshihara  
 7,090,229 B2 8/2006 Monsrud  
 D539,189 S 3/2007 Huntimer et al.  
 D549,132 S 8/2007 Musselman  
 7,264,250 B2 9/2007 Lachance  
 7,311,165 B2 12/2007 Roberts et al.  
 7,311,166 B2 12/2007 Roberts et al.  
 D601,453 S \* 10/2009 Brew ..... D12/7  
 D636,793 S 4/2011 Vladimirovich et al.  
 D637,626 S 5/2011 Vladimirovich et al.  
 D639,313 S 6/2011 Degtyarev et al.  
 D653,681 S 2/2012 Degtyarev et al.  
 D683,661 S \* 6/2013 Horne ..... D12/111  
 8,641,055 B2 2/2014 Verlin et al.  
 8,910,738 B2 12/2014 Mangum  
 D768,033 S 10/2016 Degtyarev et al.  
 D768,034 S 10/2016 Degtyarev et al.  
 D778,783 S \* 2/2017 Will ..... D12/7  
 9,731,746 B2 8/2017 Hodgson et al.  
 9,988,067 B1 \* 6/2018 Mangum ..... B62B 17/04  
 D827,678 S 9/2018 Choi  
 D827,679 S 9/2018 Choi  
 D827,680 S 9/2018 Choi  
 D827,681 S 9/2018 Choi  
 2003/0034619 A1 2/2003 Bergstrom  
 2003/0234129 A1 12/2003 Roberts et al.  
 2004/0160026 A1 8/2004 Lund  
 2004/0227312 A1 11/2004 Dick  
 2005/0173873 A1 8/2005 Ruzewski et al.  
 2006/0175777 A1 8/2006 Lemieux et al.  
 2009/0008990 A1 1/2009 Sibilleau  
 2009/0322045 A1 12/2009 Lemieux  
 2010/0140007 A1 6/2010 Ogura et al.  
 2010/0231034 A1 9/2010 Kanzler  
 2011/0278083 A1 \* 11/2011 Yoshihara ..... B62M 27/02  
 180/182  
 2012/0104840 A1 5/2012 Zuchoski et al.  
 2014/0202784 A1 7/2014 Mallette  
 2015/0034404 A1 2/2015 Polakowski et al.

2015/0166143 A1 6/2015 Beavis  
 2016/0031471 A1 \* 2/2016 Anderson ..... B62B 17/04  
 280/27  
 2016/0167722 A1 \* 6/2016 Anderson ..... B62D 55/108  
 180/9.54  
 2016/0257332 A1 9/2016 Hodgson et al.  
 2017/0066502 A1 \* 3/2017 Will ..... B62M 27/02  
 2017/0129526 A1 \* 5/2017 Mangum ..... B62B 13/046  
 2017/0129569 A1 \* 5/2017 Mangum ..... B62M 27/02  
 2017/0129570 A1 \* 5/2017 Mangum ..... B62M 27/02  
 2017/0349239 A1 12/2017 Beavis  
 2018/0243636 A1 8/2018 Zuchoski et al.  
 2018/0244326 A1 8/2018 Zuchoski  
 2018/0251168 A1 \* 9/2018 Mangum ..... B62D 55/04  
 2018/0273142 A1 \* 9/2018 Mangum ..... B62D 55/07  
 2020/0094918 A1 3/2020 Beavis

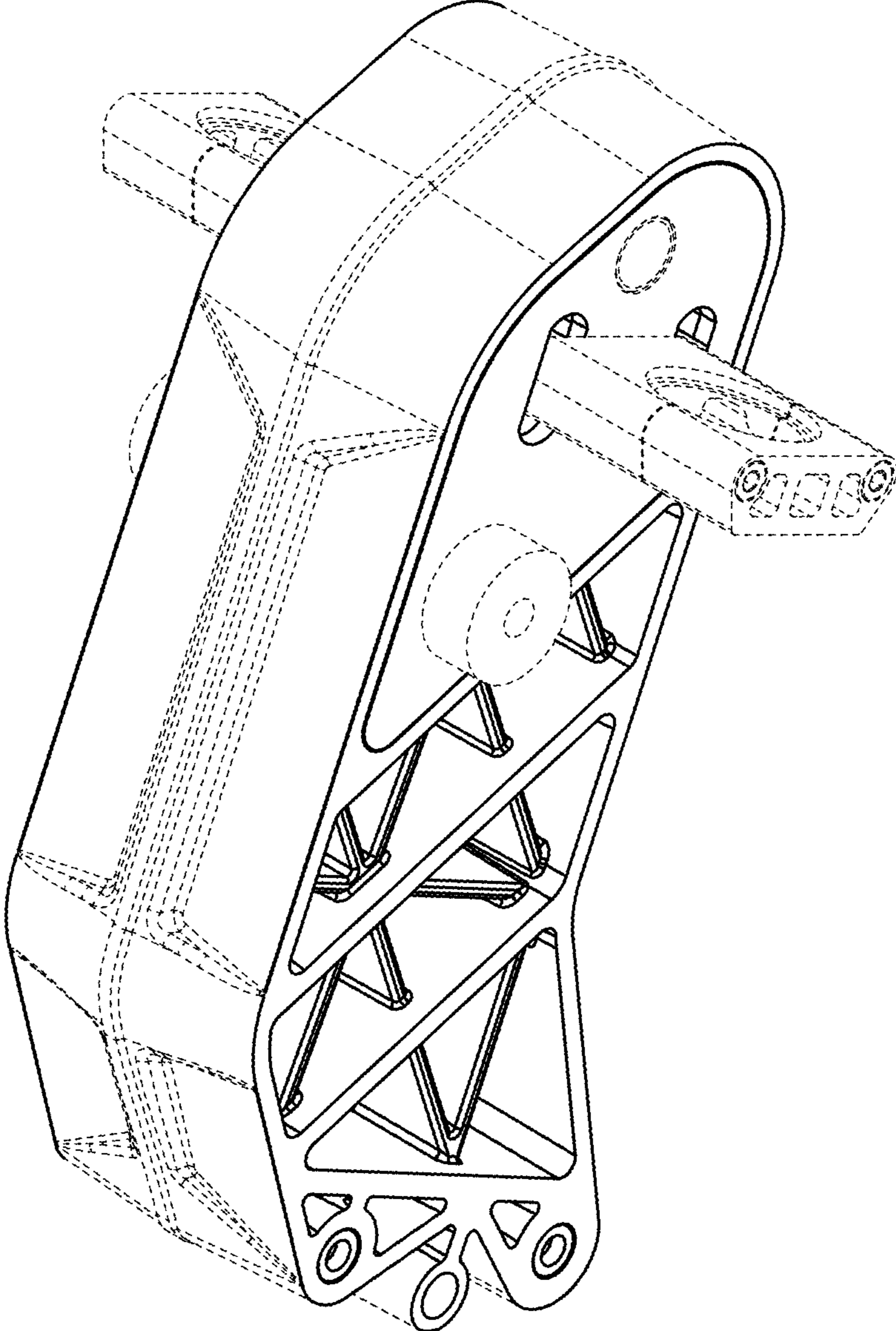
FOREIGN PATENT DOCUMENTS

CA 180122 4/2018  
 CA 180123 4/2018  
 EP 005943693-0001 1/2019  
 EP 005943693-001 A1 1/2019  
 EP 005943693-0002 1/2019  
 EP 005943693-002 A1 1/2019  
 EP 005943693-0003 1/2019  
 EP 005943693-003 A1 1/2019  
 WO WO2017031591 3/2017  
 WO WO2017031592 3/2017

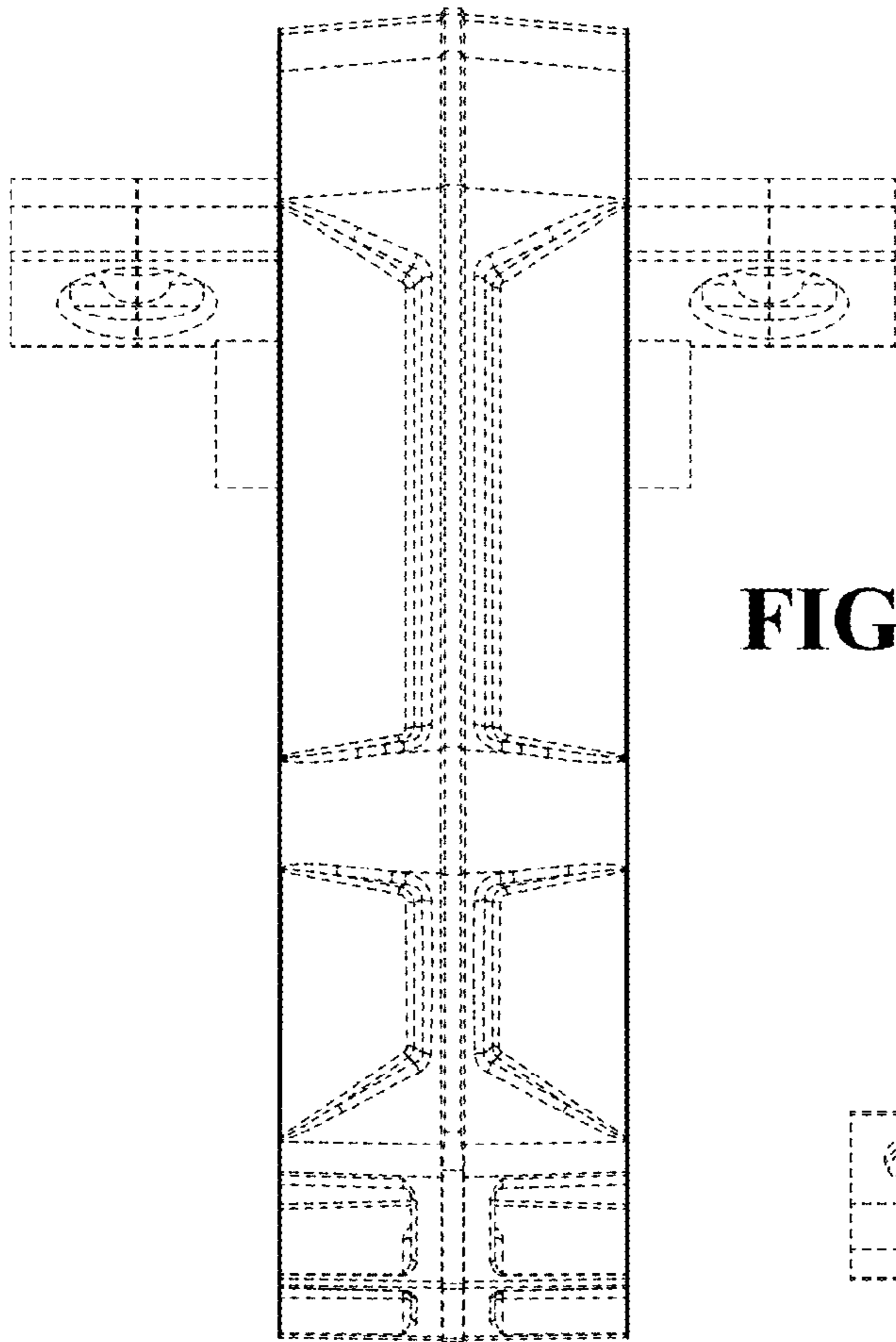
OTHER PUBLICATIONS

PCT/CA2016/051004—International Search Report published on Feb. 3, 2017.  
 PCT/CA2016/051004—Written Opinion published on Feb. 3, 2017.  
 Non-Final Office Action dated Aug. 8, 2016 in connection with U.S. Appl. No. 14/750,832, 11 pages.  
 Non-Final Office Action dated May 15, 2019 in connection with U.S. Appl. No. 15/755,382, 24 pages.  
 Notice of Allowance dated Mar. 30, 2017 in connection with U.S. Appl. No. 14/750,832, 5 pages.  
 Restriction requirement dated Mar. 19, 2020 in connection with design U.S. Appl. No. 29/593,519, 4 pages.  
 Restriction requirement dated Nov. 20, 2019 in connection with U.S. Appl. No. 15/755,377, 7 pages.  
 Final Office Action dated Dec. 20, 2019 in connection with U.S. Appl. No. 15/755,382, 14 pages.  
 Non-Final Office Action dated Apr. 3, 2020 in connection with U.S. Appl. No. 15/755,377, 9 pages.  
 Office Action dated Jan. 24, 2020 in connection with Design U.S. Appl. No. 29/674,712, 11 pages.  
 Office Action dated Apr. 7, 2020 in connection with design U.S. Appl. No. 29/674,712, 9 pages.

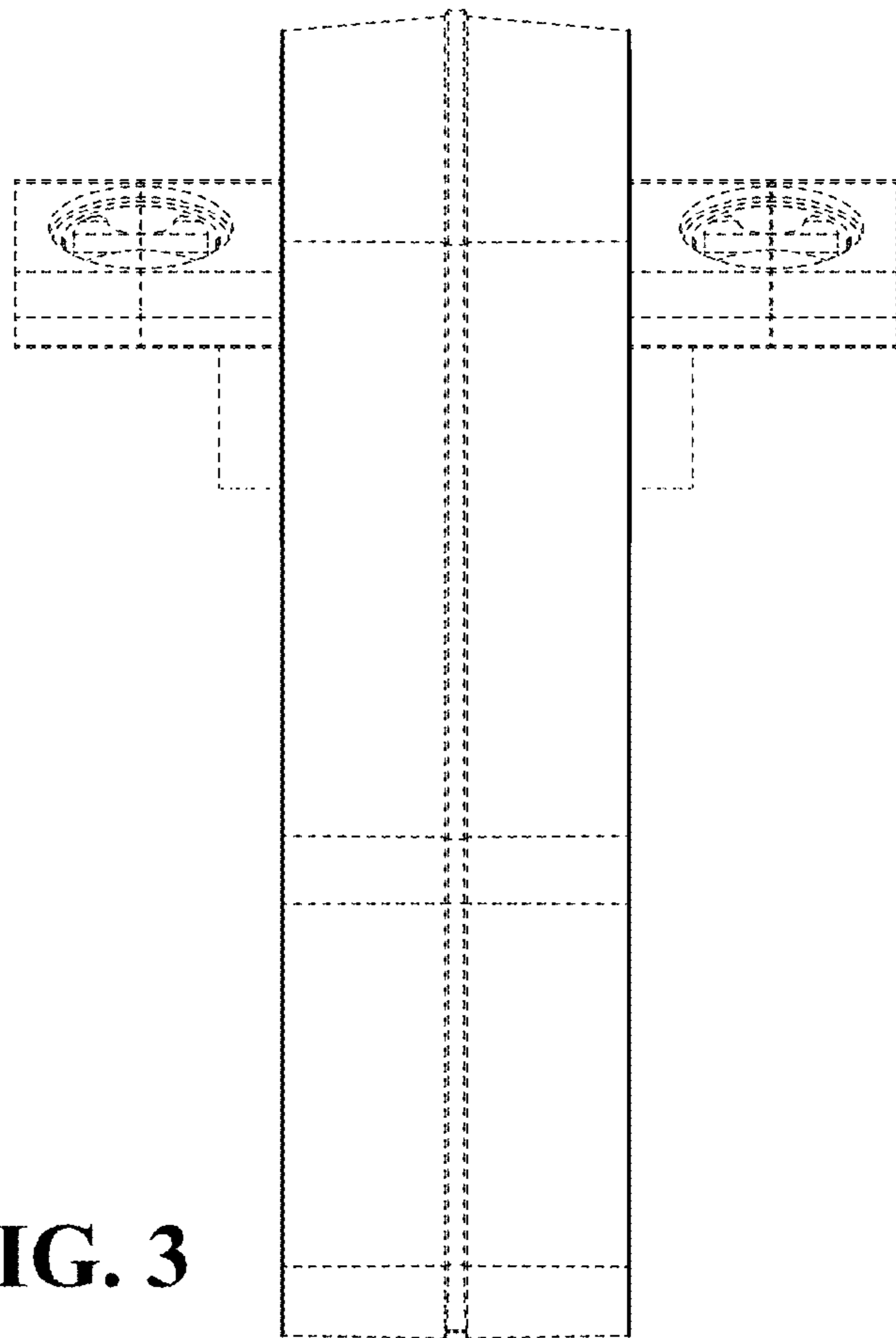
\* cited by examiner



**FIG. 1**



**FIG. 2**



**FIG. 3**

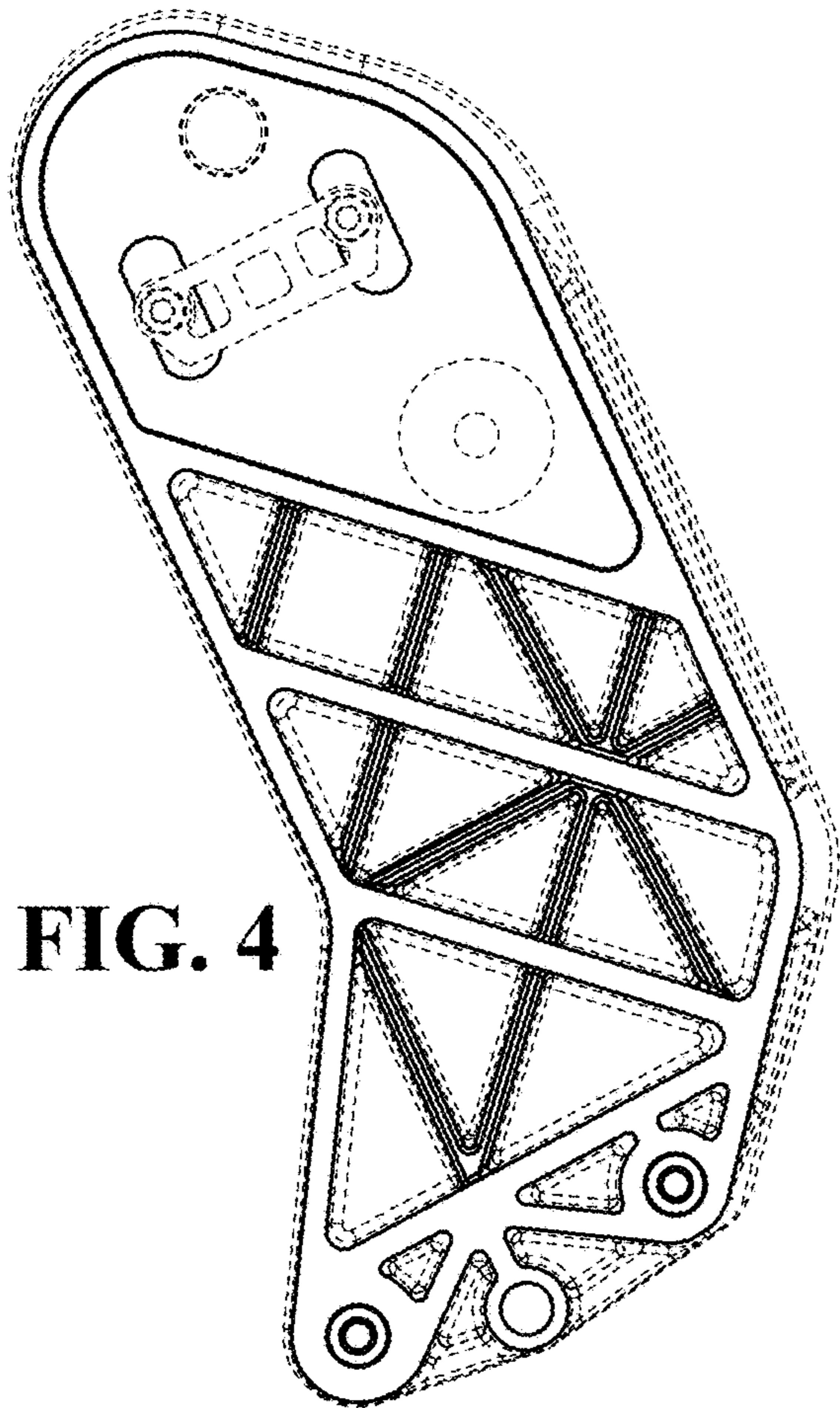


FIG. 4

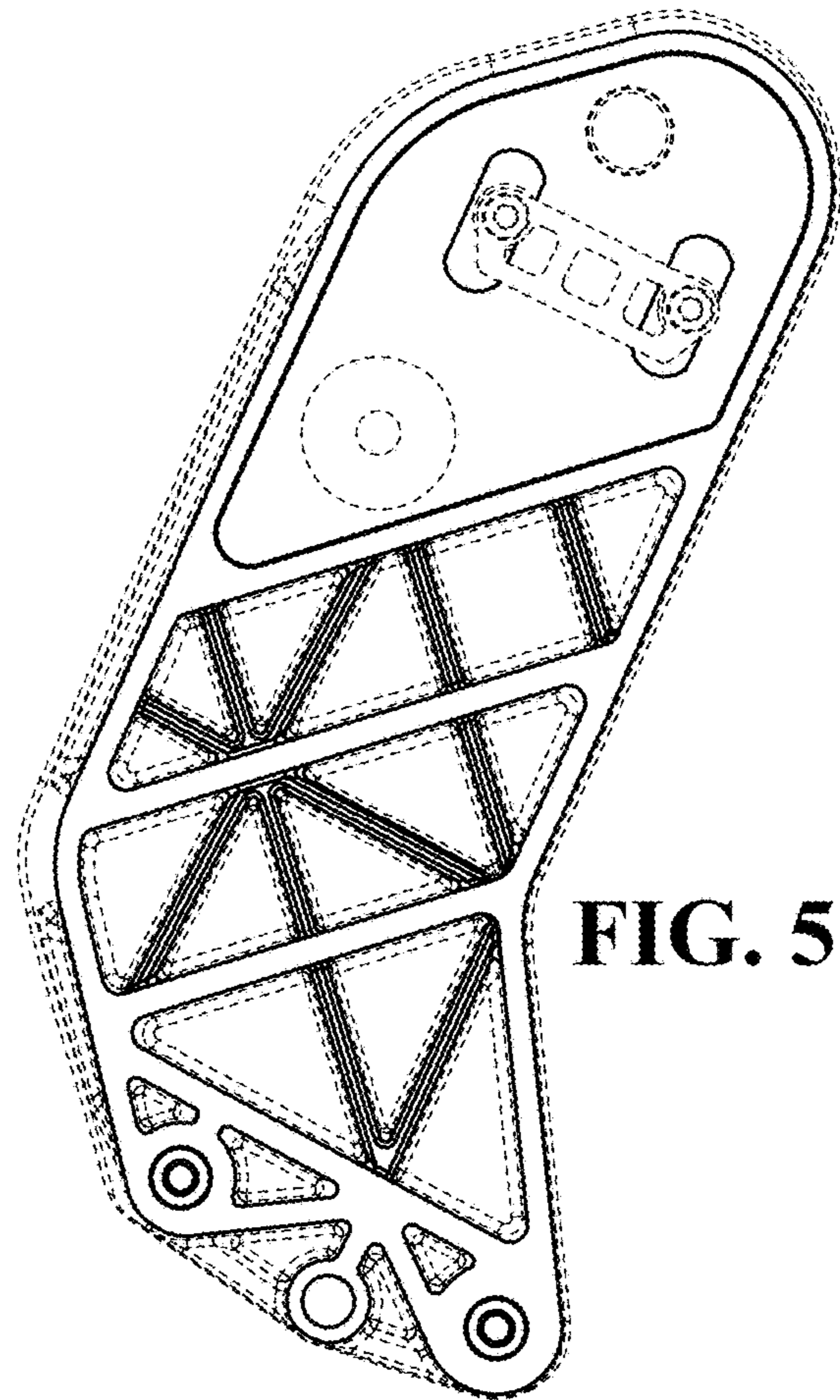


FIG. 5

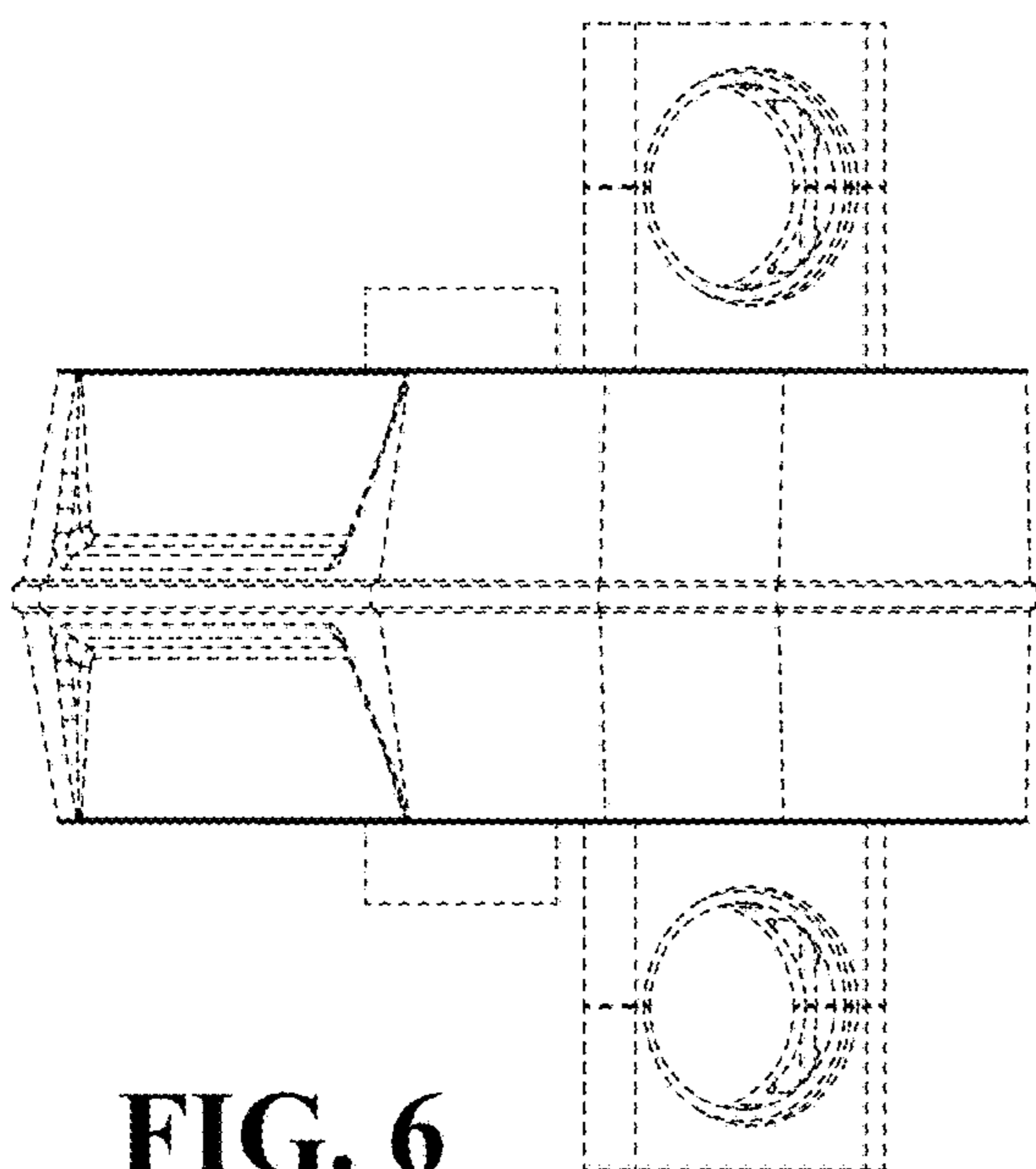


FIG. 6

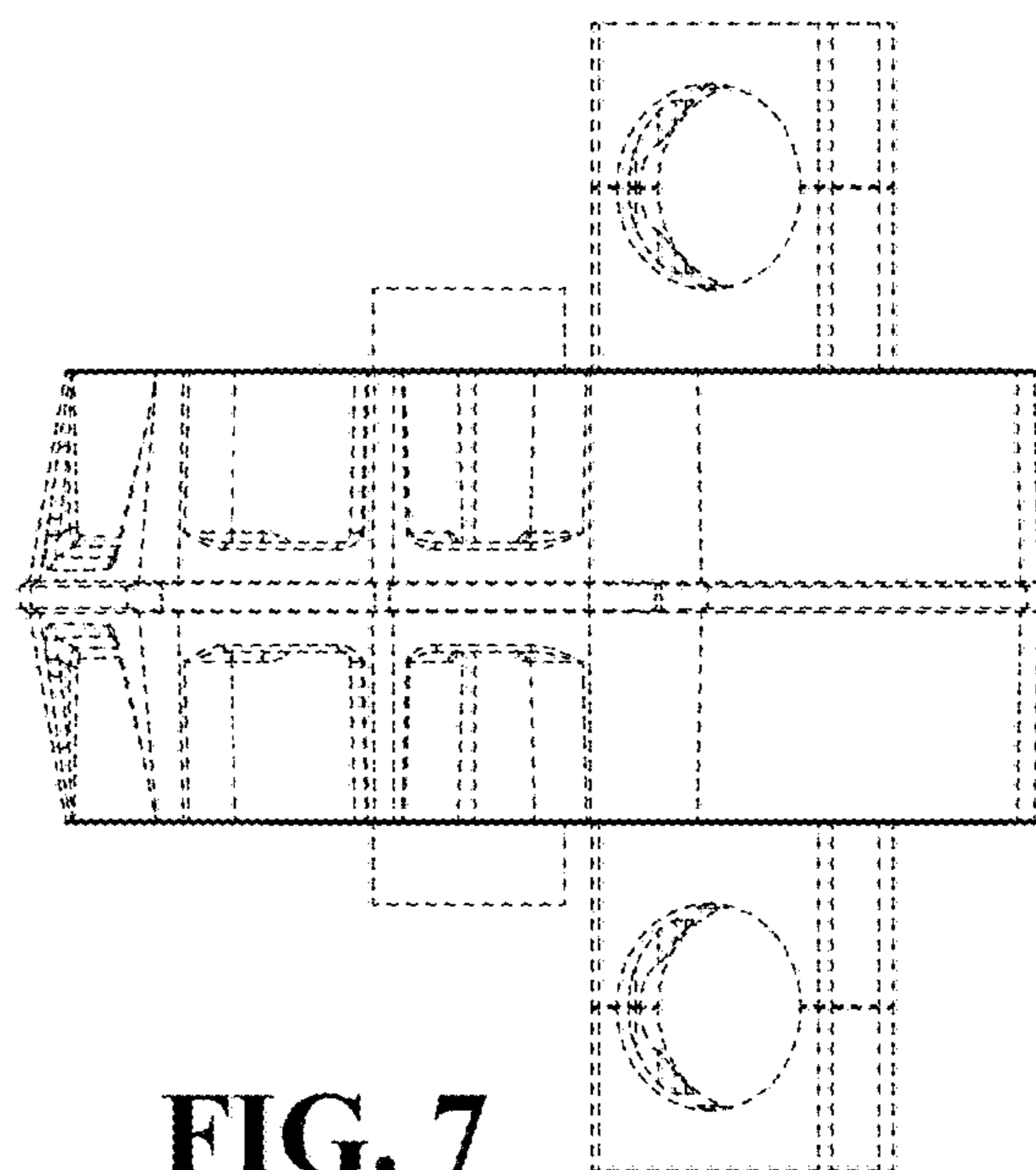


FIG. 7