



US00D906215S

(12) **United States Design Patent**
Badstuebner et al.

(10) **Patent No.:** **US D906,215 S**

(45) **Date of Patent:** **** Dec. 29, 2020**

(54) **WHEEL OR WHEEL COVER**

(71) Applicant: **Daimler AG**, Stuttgart (DE)

(72) Inventors: **Achim-Dietrich Badstuebner**, Munich (DE); **Uwe Haller**, Marbach a.N. (DE); **Robert Lesnik**, Leonberg (DE); **Peter Riedel**, Holzgerlingen (DE); **Gorden Wagener**, Gaeufelden (DE); **Constantin Weyers**, Munich (DE)

(73) Assignee: **Daimler AG**, Stuttgart (DE)

(**) Term: **15 Years**

(21) Appl. No.: **29/704,667**

(22) Filed: **Sep. 6, 2019**

(30) **Foreign Application Priority Data**

Mar. 7, 2019 (DE) 40 2019 200 808

(51) **LOC (12) Cl.** **12-16**

(52) **U.S. Cl.**
USPC **D12/209**; D12/211

(58) **Field of Classification Search**
USPC D12/204–213; D21/533, 561, 563
CPC B60B 7/00; B60B 7/02; B60B 7/04; B60B 7/06; B60B 3/02; B60B 3/04; B60B 3/06; B60B 3/10; B60B 1/00; B60B 1/08; B60B 1/10; B60B 1/12

See application file for complete search history.

(56) **References Cited**

U.S. PATENT DOCUMENTS

D530,258 S * 10/2006 Schell D12/211
D562,207 S * 2/2008 Pfeiffer D12/211

D573,081 S * 7/2008 Kim D12/211
D634,691 S * 3/2011 Park D12/211
D644,154 S * 8/2011 Antoniadis D12/209
D644,155 S * 8/2011 Truebsbach D12/209
D656,451 S * 3/2012 Zhao D12/211
D670,634 S * 11/2012 Lee D12/211
D719,076 S * 12/2014 McLeod D12/211
D747,247 S * 1/2016 Juergens D12/209
D760,635 S * 7/2016 Bildhaeuser D12/209
D780,655 S * 3/2017 Trim D12/209
D827,541 S * 9/2018 Bucher D12/209
D840,892 S * 2/2019 Chung D12/209
D876,308 S * 2/2020 O'Neill D12/209
D877,031 S * 3/2020 Chung D12/211

FOREIGN PATENT DOCUMENTS

EM 002338673-0003 4/2014

* cited by examiner

Primary Examiner — Sheryl Lane

Assistant Examiner — Calvin E Vansant

(74) *Attorney, Agent, or Firm* — Crowell & Moring LLP

(57) **CLAIM**

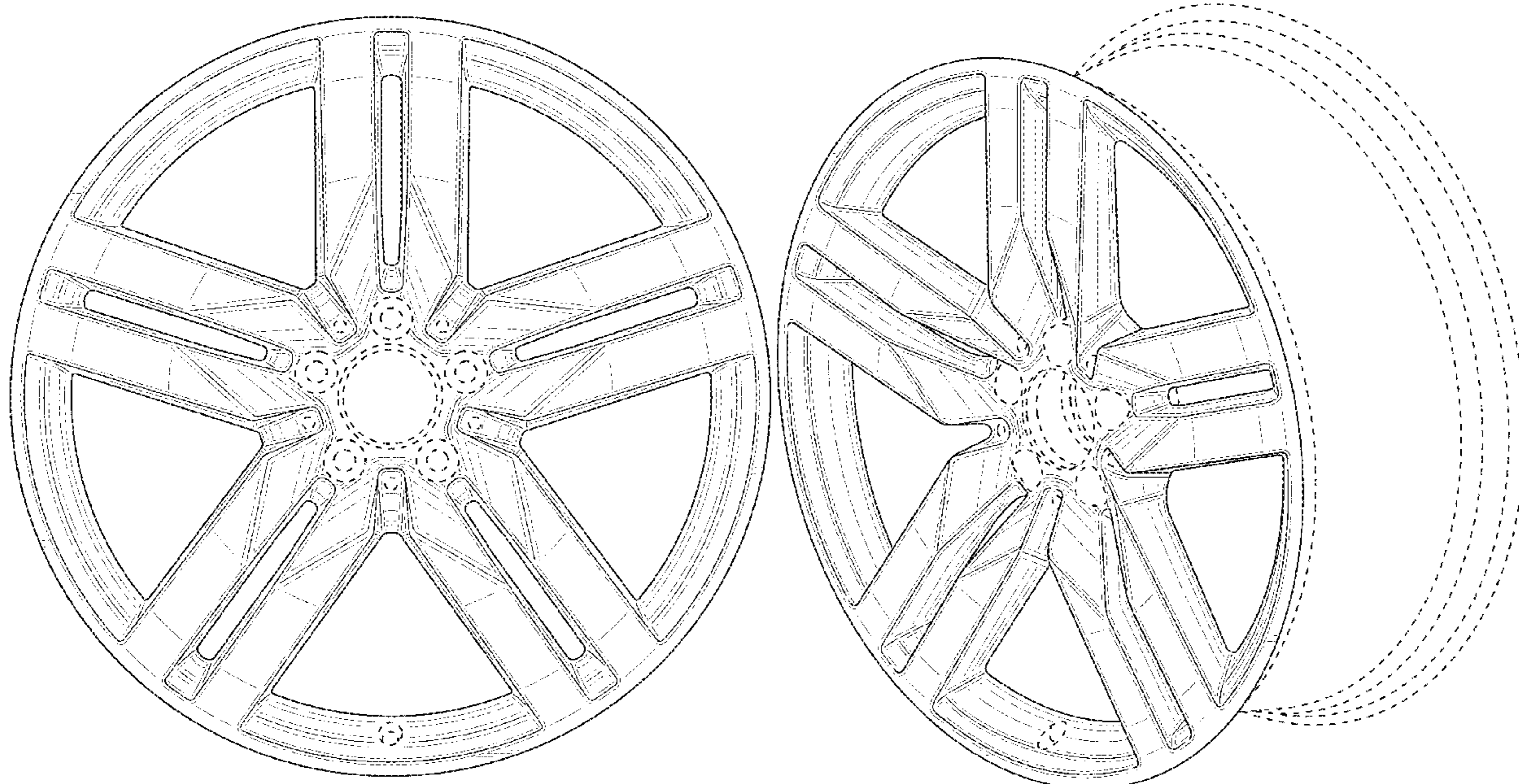
The ornamental design for a wheel or wheel cover, as shown and described.

DESCRIPTION

FIG. 1 is a front view of a wheel or wheel cover according to the design; and,
FIG. 2 is a perspective view thereof.

The broken lines in the drawings illustrate environmental subject matter only and form no part of the claimed design.

1 Claim, 2 Drawing Sheets



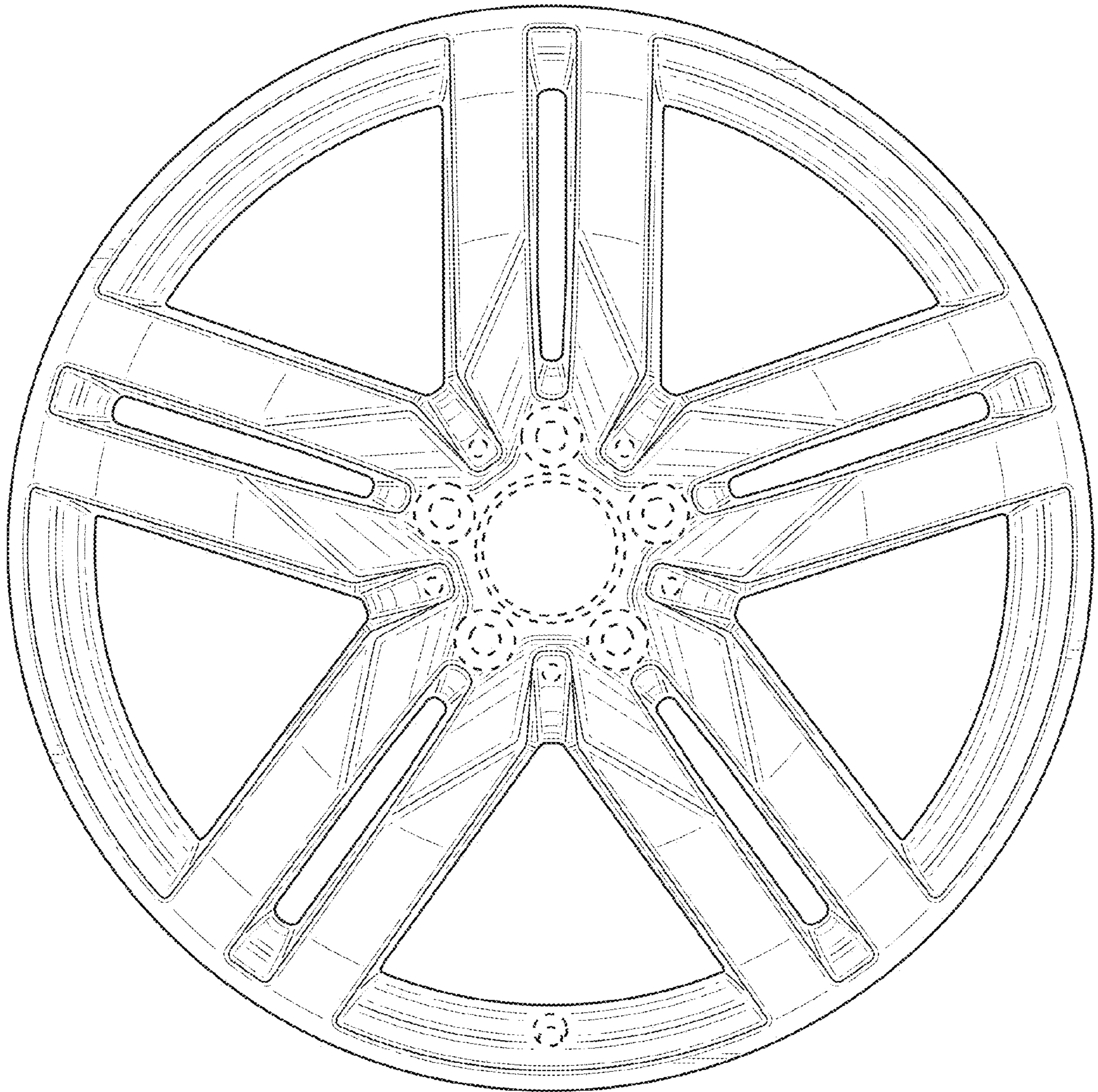


FIG. 1

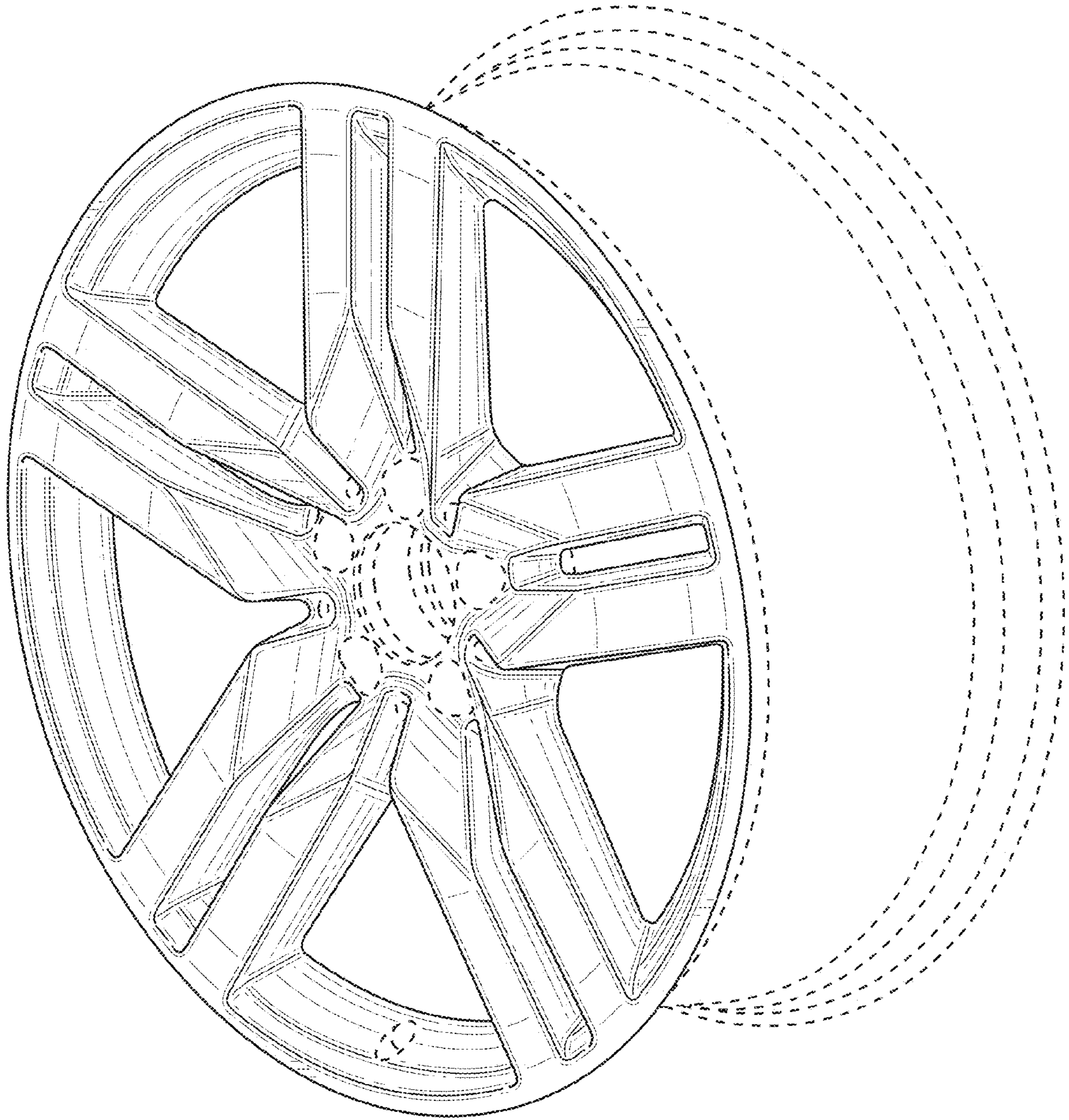


FIG. 2