



US00D906211S

(12) **United States Design Patent** (10) **Patent No.:** **US D906,211 S**  
**Manzoni** (45) **Date of Patent:** **\*\* Dec. 29, 2020**

(54) **VEHICLE SIDE PANEL**  
(71) Applicant: **Ferrari S.p.A.**, Modena (IT)  
(72) Inventor: **Flavio Manzoni**, Maranello (IT)  
(73) Assignee: **FERRARI S.P.A.**, Modena (IT)  
(\*\*) Term: **15 Years**  
(21) Appl. No.: **29/606,188**  
(22) Filed: **Jun. 2, 2017**

D745,439 S \* 12/2015 Manzoni ..... D12/92  
D753,548 S \* 4/2016 Gilles ..... D12/88  
D755,674 S \* 5/2016 Perini ..... D12/88  
D756,847 S \* 5/2016 Nicoghosian ..... D12/88  
D758,247 S \* 6/2016 Nurnberger ..... D12/92  
D767,446 S \* 9/2016 Stephenson ..... D12/88  
D774,416 S \* 12/2016 Perini ..... D12/88  
D780,063 S \* 2/2017 Stephenson ..... D12/88  
D781,747 S \* 3/2017 Stephenson ..... D12/88  
D781,749 S \* 3/2017 Perini ..... D12/88  
D790,402 S \* 6/2017 Perini ..... D12/88  
D793,910 S \* 8/2017 Liese ..... D12/92  
D801,227 S \* 10/2017 Stephenson ..... D12/88  
D804,355 S \* 12/2017 Stephenson ..... D12/88  
D813,095 S \* 3/2018 Manzoni ..... D12/88

(30) **Foreign Application Priority Data**

Dec. 2, 2016 (EP) ..... 003497106

(51) **LOC (12) Cl.** ..... **12-06**

(52) **U.S. Cl.**  
USPC ..... **D12/196**

(58) **Field of Classification Search**  
USPC ..... D12/86, 88, 90, 91, 92, 196; D21/421,  
D21/433, 434; 296/181.1, 181.5  
CPC ..... B62D 25/00; B62D 25/06; B62D 33/00;  
B62D 35/00; B62D 25/08  
See application file for complete search history.

(56) **References Cited**

**U.S. PATENT DOCUMENTS**

D550,125 S \* 9/2007 Nagasato ..... D12/92  
D576,523 S \* 9/2008 Battams ..... D12/88  
D687,740 S \* 8/2013 Yamanaka ..... D12/92  
D692,348 S \* 10/2013 Whelan ..... D12/92  
D710,257 S \* 8/2014 Giovannini ..... D12/92  
D717,211 S \* 11/2014 Stephenson ..... D12/92  
D734,212 S \* 7/2015 Stephenson ..... D12/92  
D734,213 S \* 7/2015 Stephenson ..... D12/92

\* cited by examiner

*Primary Examiner* — Ian Simmons

*Assistant Examiner* — Yolanda Robinson

(74) *Attorney, Agent, or Firm* — Cowan, Liebowitz & Latman, P.C.; Anastasia Zhadina

(57) **CLAIM**

The ornamental design for a vehicle side panel, as shown and described.

**DESCRIPTION**

FIG. 1 is a rear perspective view of the vehicle side panel showing my design thereof;

FIG. 2 is a front perspective view thereof; and,

FIG. 3 is an enlarged view thereof.

The portions of the photograph shown in high contrast light and dark grey tones along with the areas encircled with broken lines, are shown to illustrate portions of the vehicle that form no part of the claimed design.

**1 Claim, 3 Drawing Sheets**

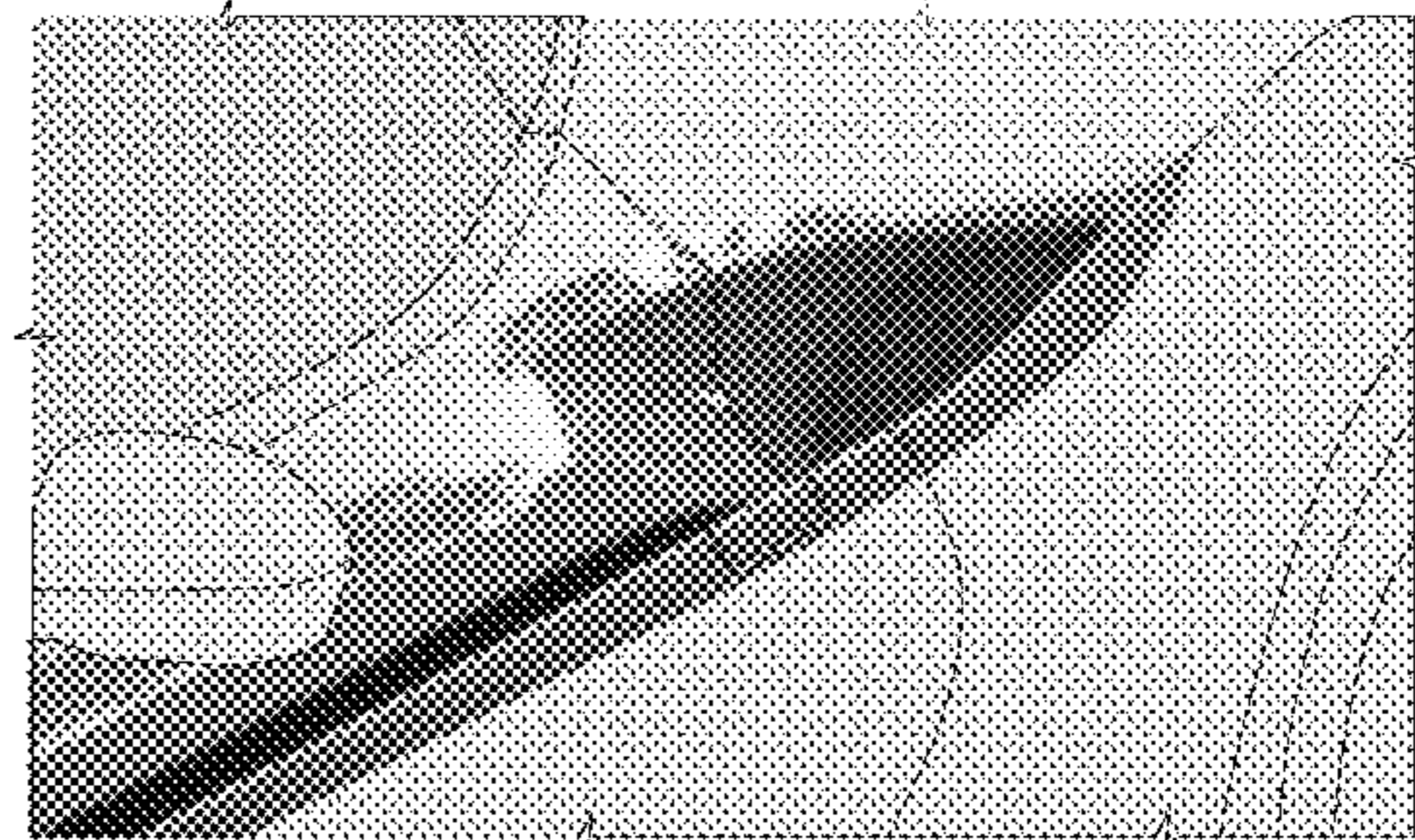
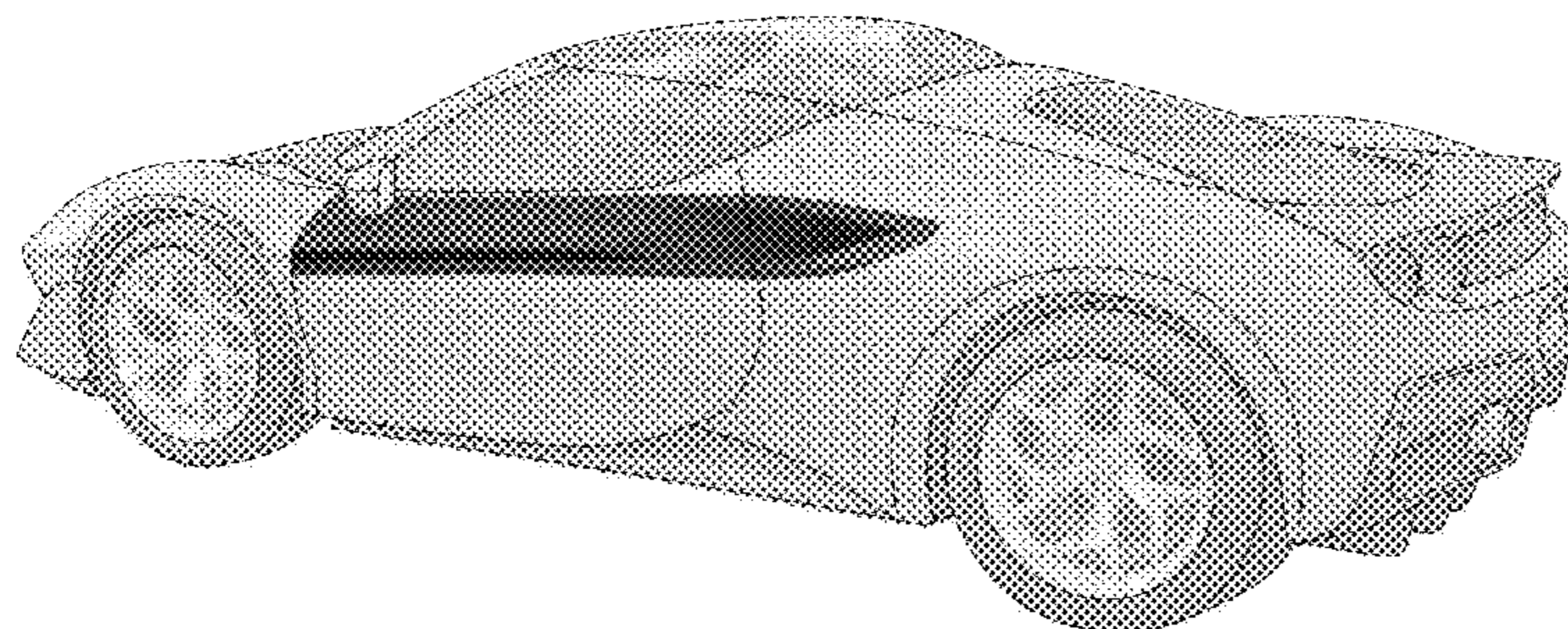


FIG. 1

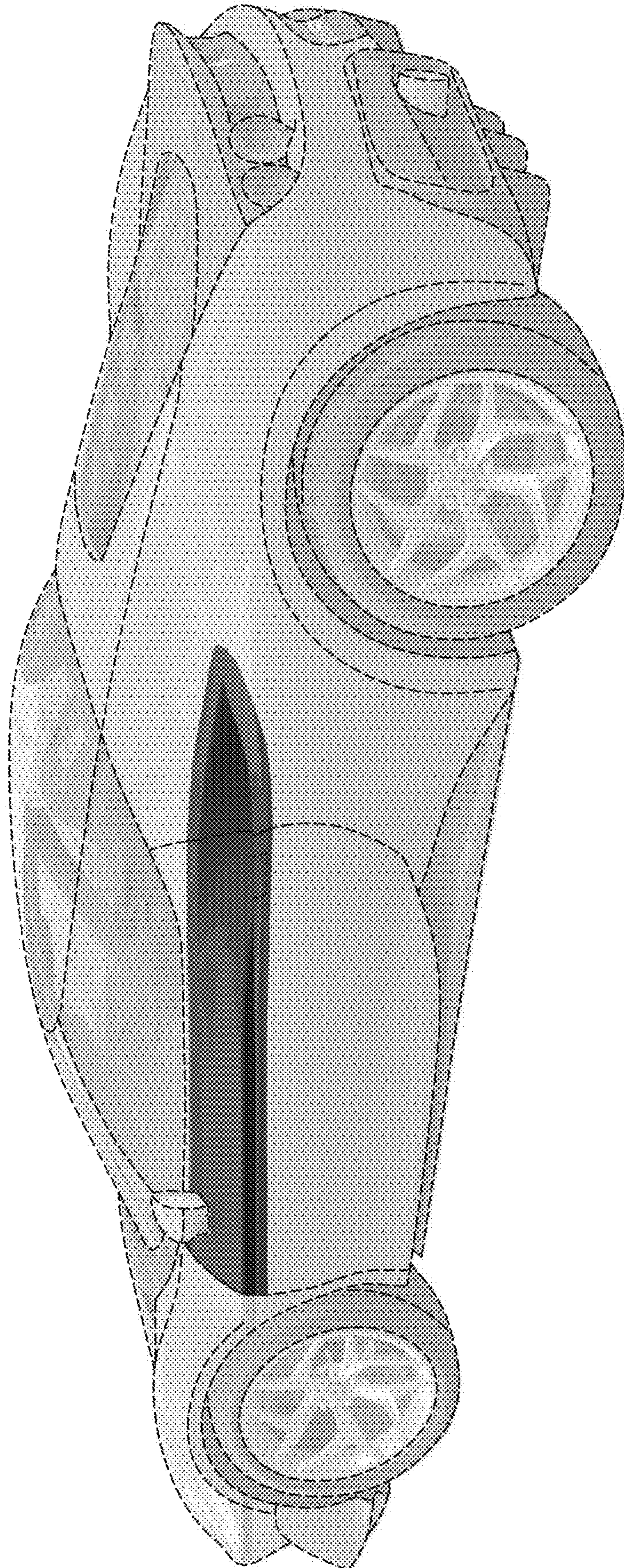
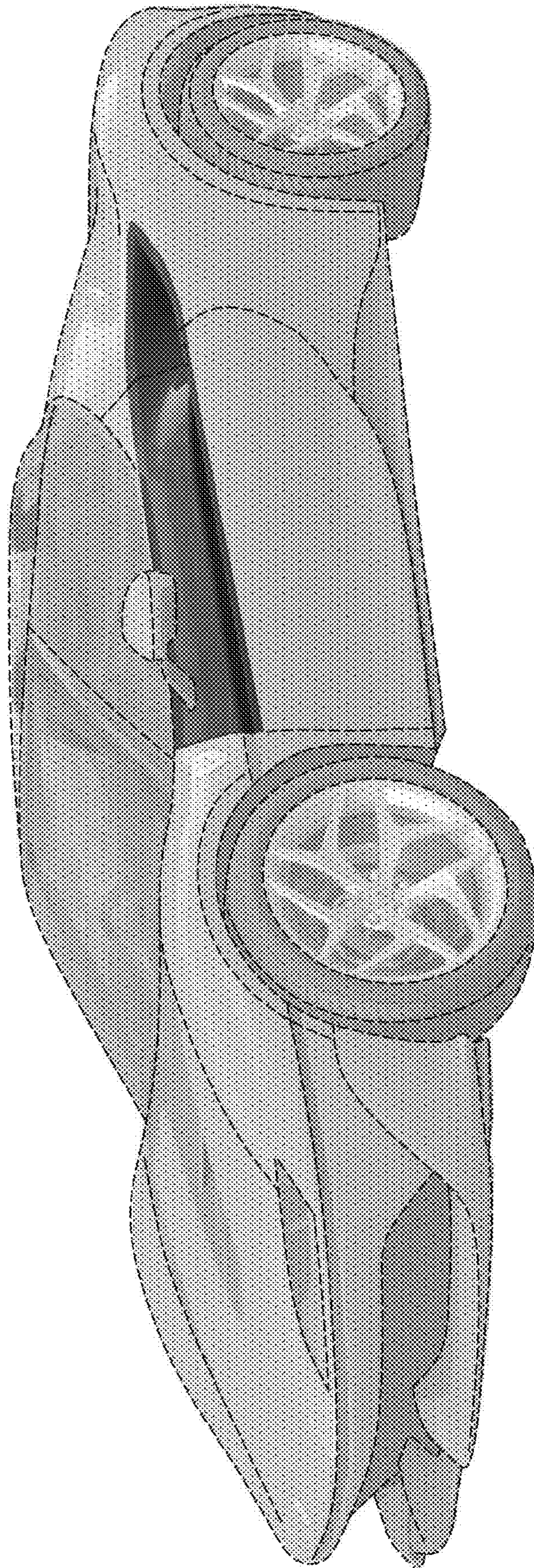


FIG. 2



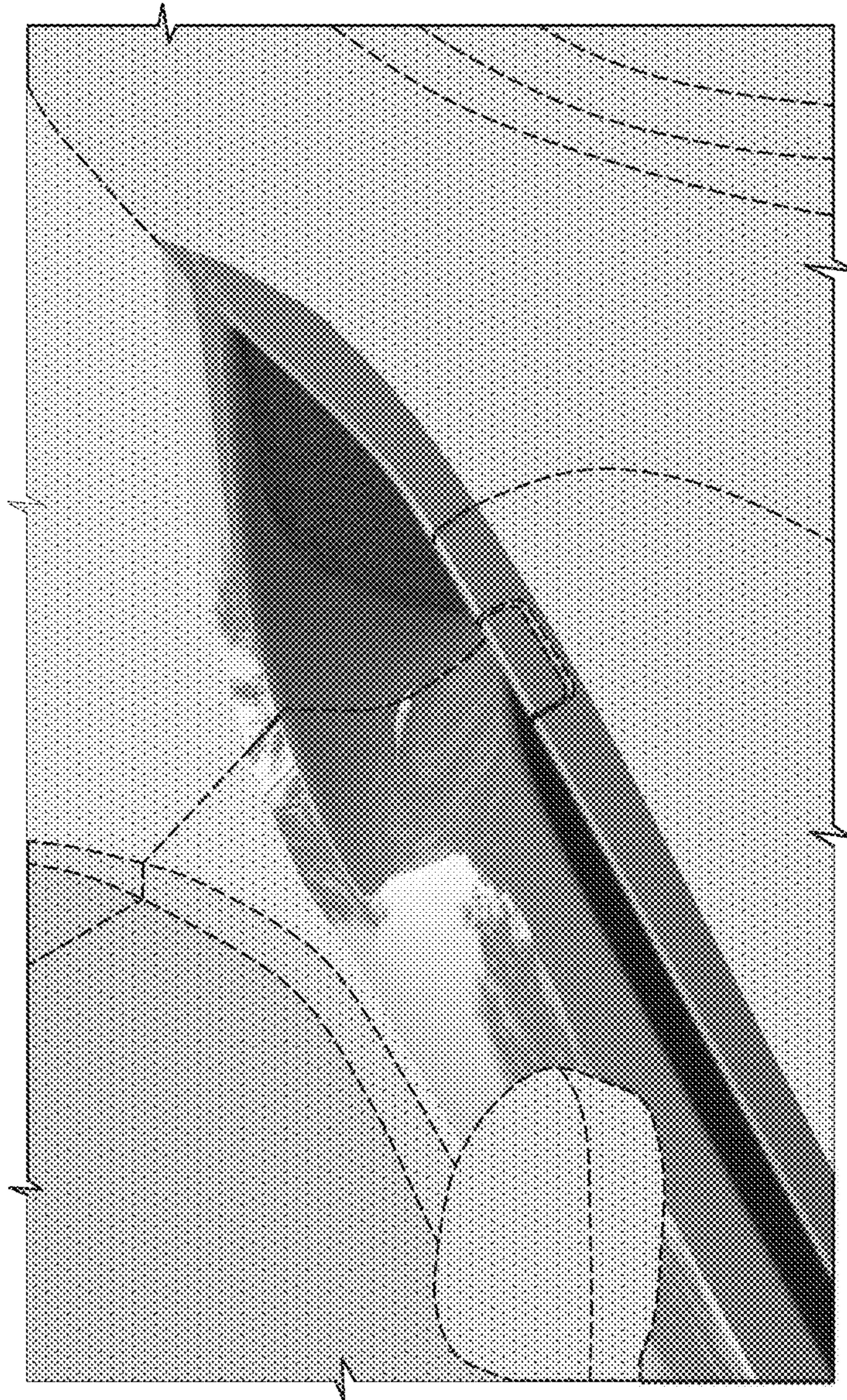


FIG. 3