



US00D906210S

(12) **United States Design Patent** (10) **Patent No.:** **US D906,210 S**  
**Price et al.** (45) **Date of Patent:** **\*\* Dec. 29, 2020**

(54) **OPERATOR CAB COLUMN**  
(71) Applicant: **J.C. BAMFORD EXCAVATORS LIMITED**, Uttoxeter (GB)  
(72) Inventors: **Chris Price**, Uttoxeter (GB); **Jon Bailey**, Uttoxeter (GB); **Richard Brooks**, Uttoxeter (GB)  
(73) Assignee: **J.C. BAMFORD EXCAVATORS LIMITED**, Uttoxeter (GB)

D811,970 S \* 3/2018 Lokers ..... D12/195  
D811,971 S \* 3/2018 Lokers ..... D12/195  
D821,947 S \* 7/2018 Kasparian ..... D12/195  
D842,786 S \* 3/2019 Burd ..... F25D 17/06  
D12/195  
D849,623 S \* 5/2019 Wilcynski ..... D12/195  
D871,291 S \* 12/2019 Niebuhr ..... D12/195  
2005/0044712 A1 \* 3/2005 Gideon ..... B60R 13/0815  
29/897.32

(\*\*) Term: **15 Years**

(21) Appl. No.: **29/685,182**

(22) Filed: **Mar. 27, 2019**

(30) **Foreign Application Priority Data**

Oct. 8, 2018 (EM) ..... 005772605

(51) **LOC (12) Cl.** ..... **12-16**

(52) **U.S. Cl.**  
USPC ..... **D12/195**

(58) **Field of Classification Search**  
CPC ..... B60J 5/04; B62D 31/02  
See application file for complete search history.

(56) **References Cited**

**U.S. PATENT DOCUMENTS**

D693,756 S \* 11/2013 Stevens ..... D12/345  
D720,671 S \* 1/2015 Conway ..... D12/195  
D758,268 S \* 6/2016 Watkins ..... D12/195  
D761,187 S \* 7/2016 Castanha ..... D12/345  
D791,028 S \* 7/2017 Sandys ..... D12/195

\* cited by examiner

*Primary Examiner* — Katrina A Betton

(74) *Attorney, Agent, or Firm* — Marshall, Gerstein & Borun LLP

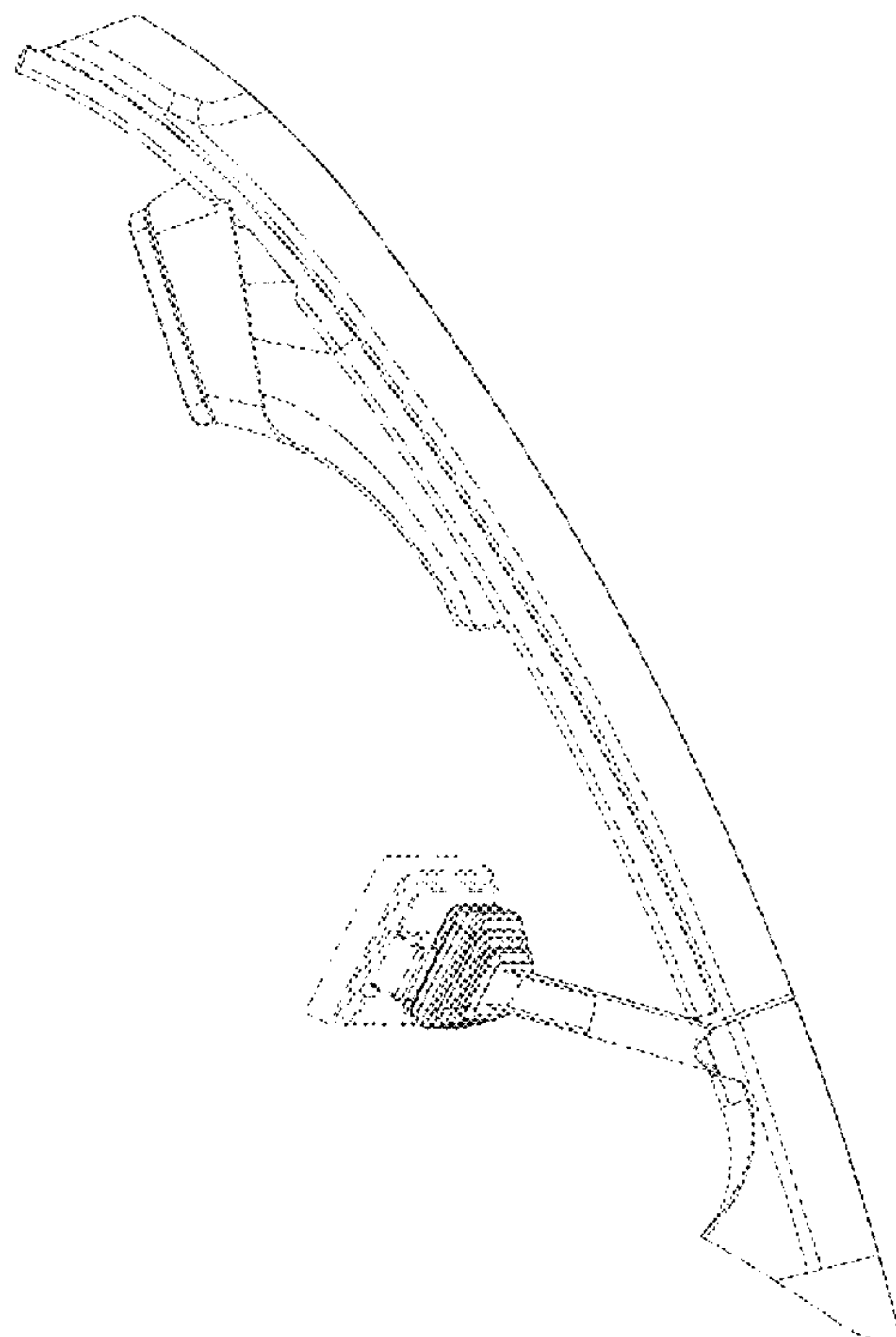
(57) **CLAIM**

The ornamental design for an operator cab column, as shown and described.

**DESCRIPTION**

FIG. 1 is a front, right-side, and top isometric view of an operator cab column, showing the new design.  
FIG. 2 is a top plan view of the operator cab column.  
FIG. 3 is a front elevation view of the operator cab column.  
FIG. 4 is a right-side elevation view of the operator cab column.  
FIG. 5 is a rear elevation view of the operator cab column.  
FIG. 6 is a left-side elevation view of the operator cab column; and,  
FIG. 7 is a bottom plan view of the operator cab column.  
The broken lines depict portions of the operator cab column that form no part of the claimed design.

**1 Claim, 3 Drawing Sheets**



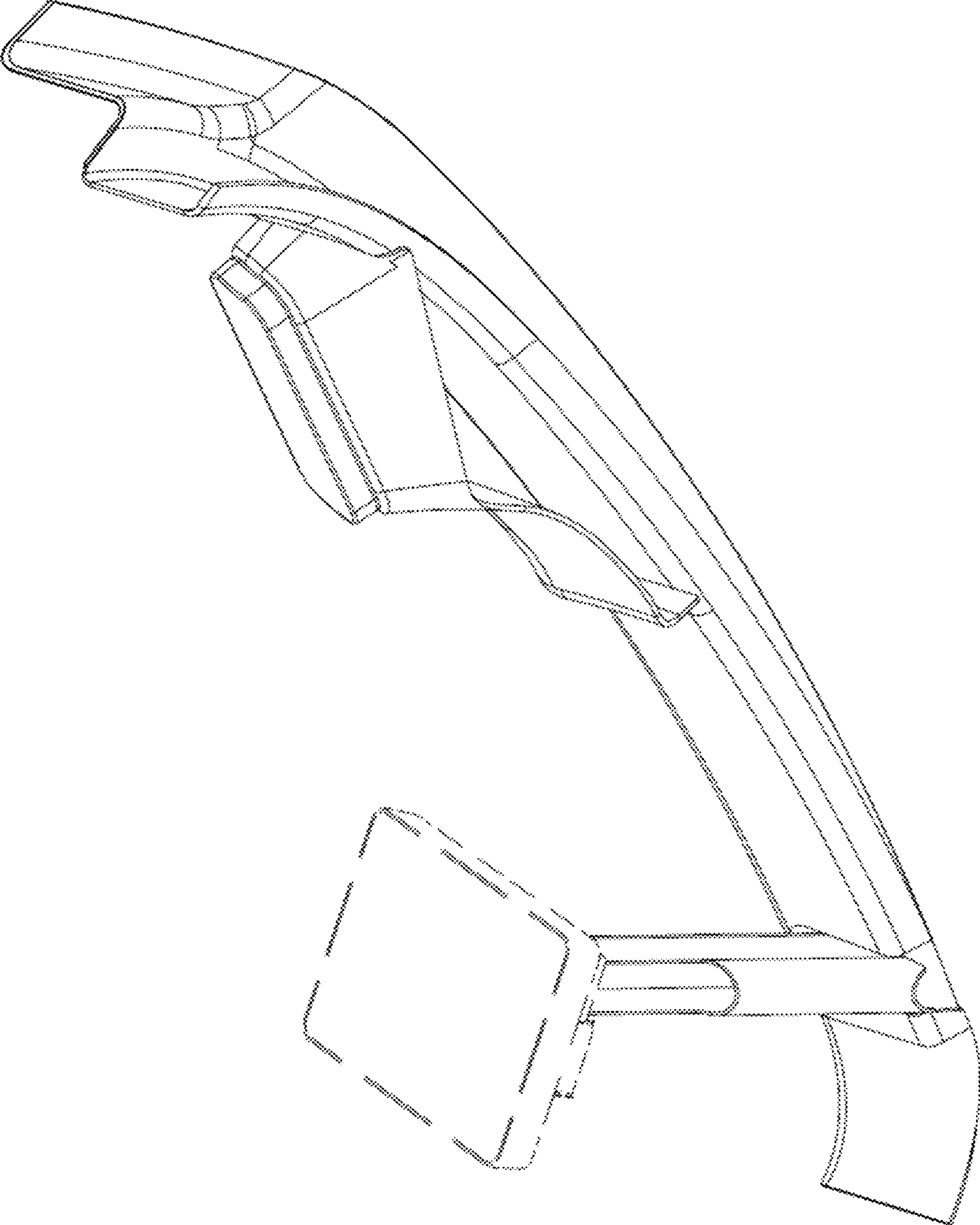


Fig. 1

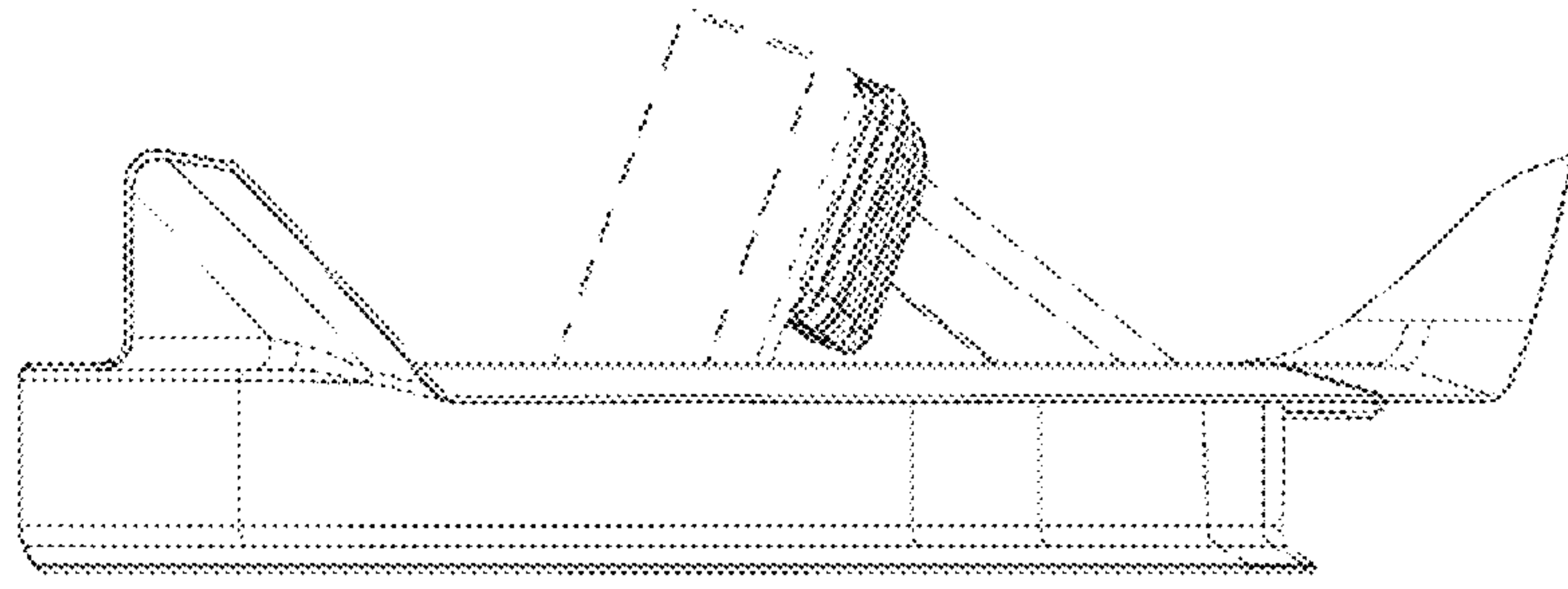


Fig. 2

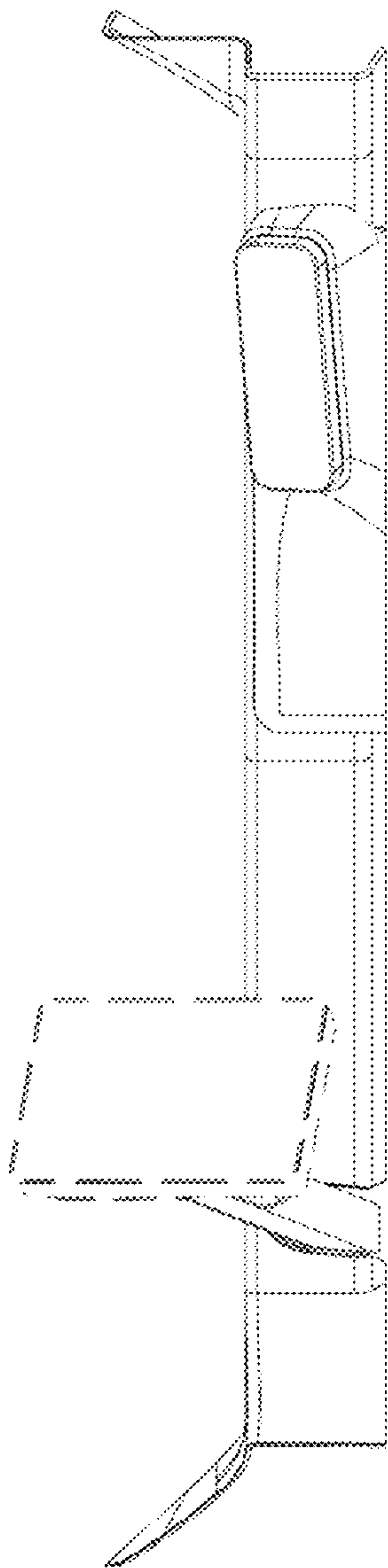


Fig. 3

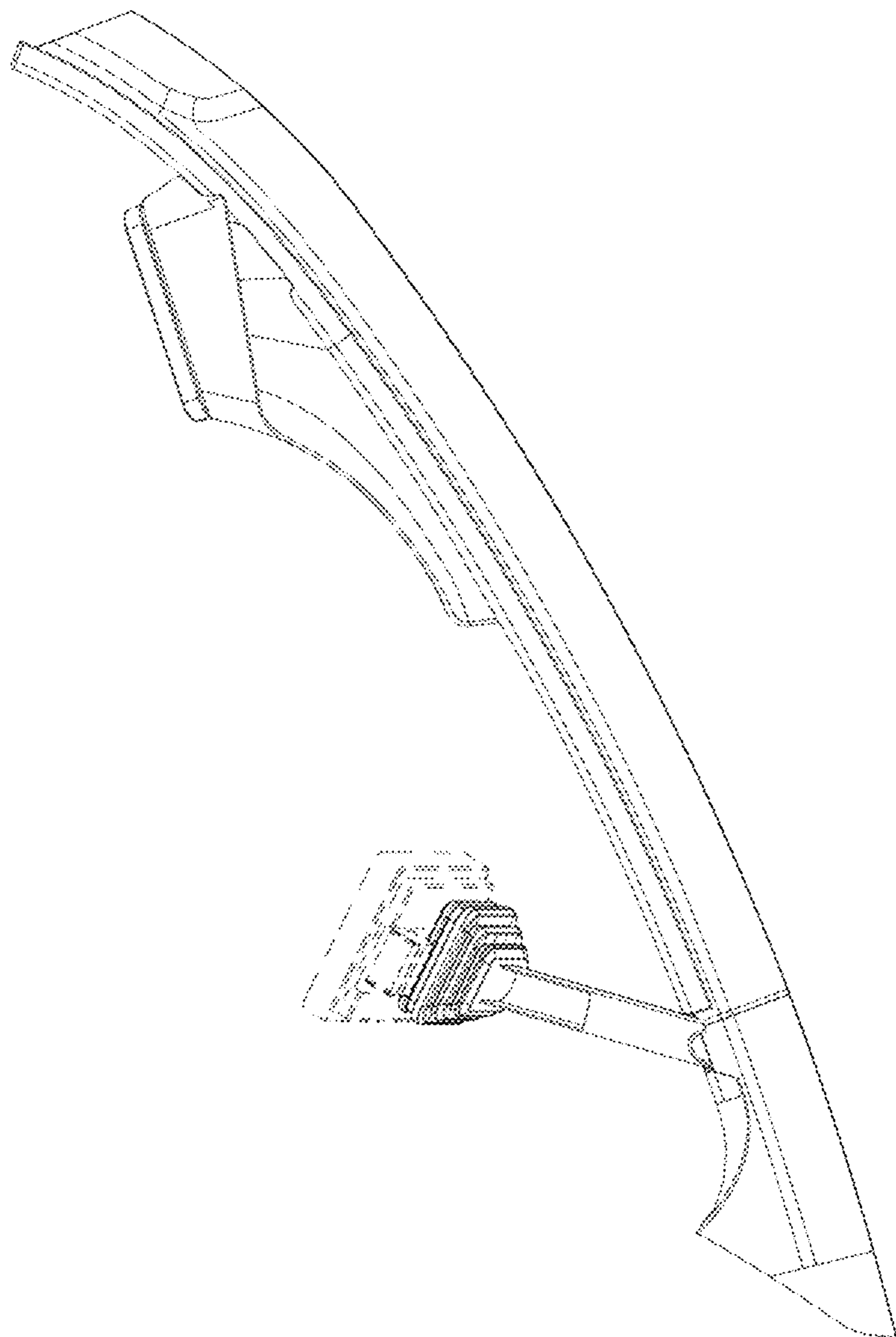


Fig. 4

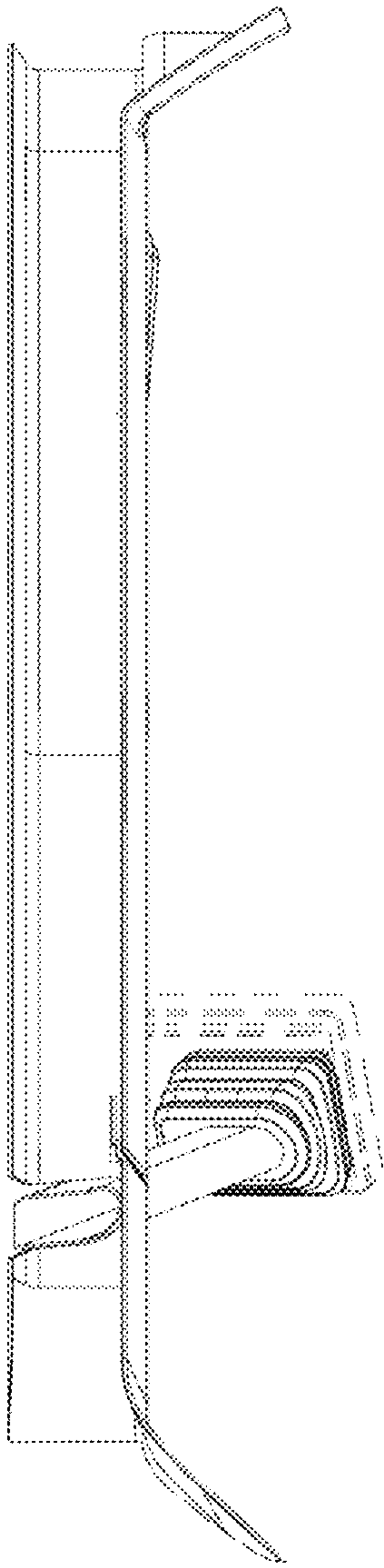


Fig. 5

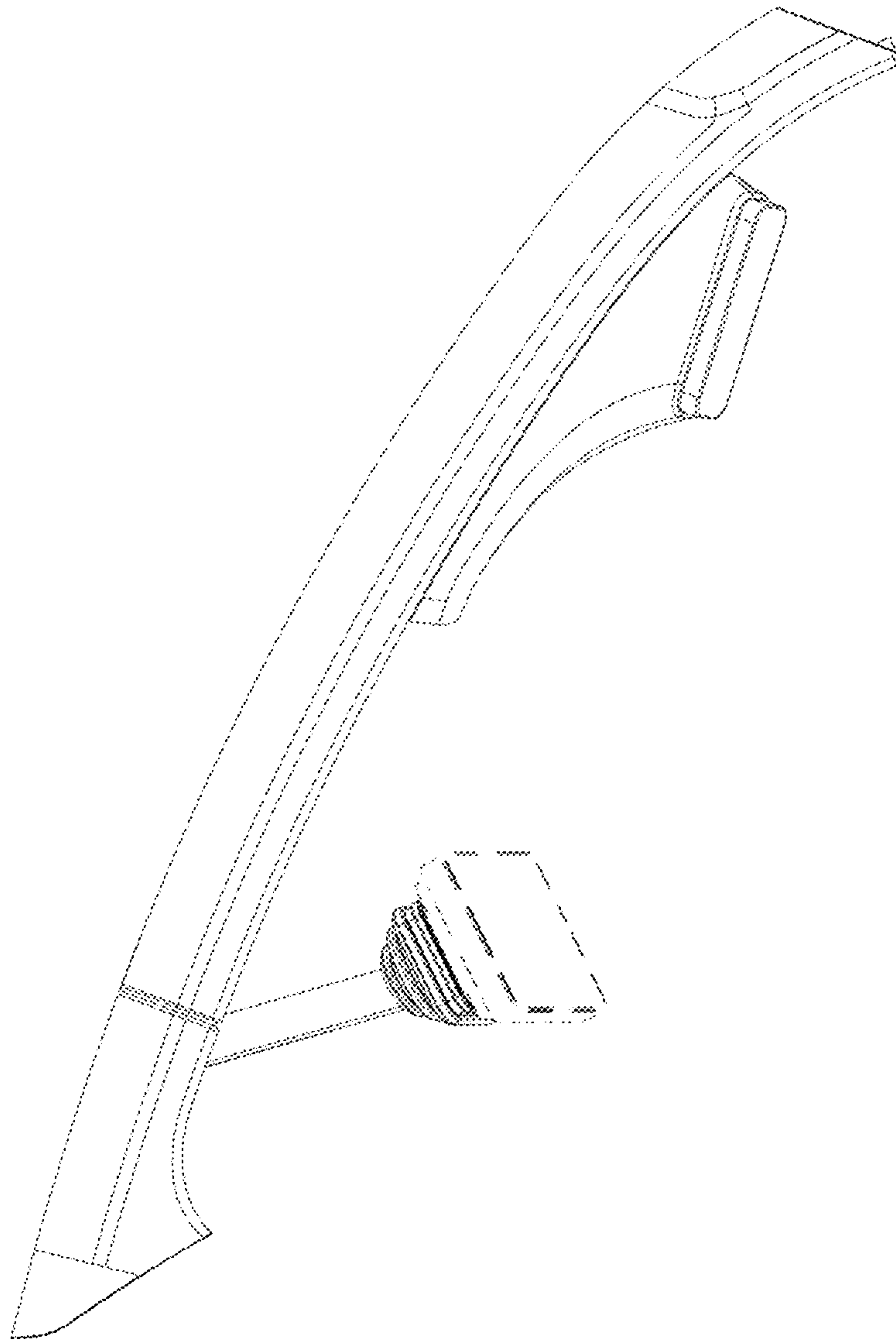


Fig. 6

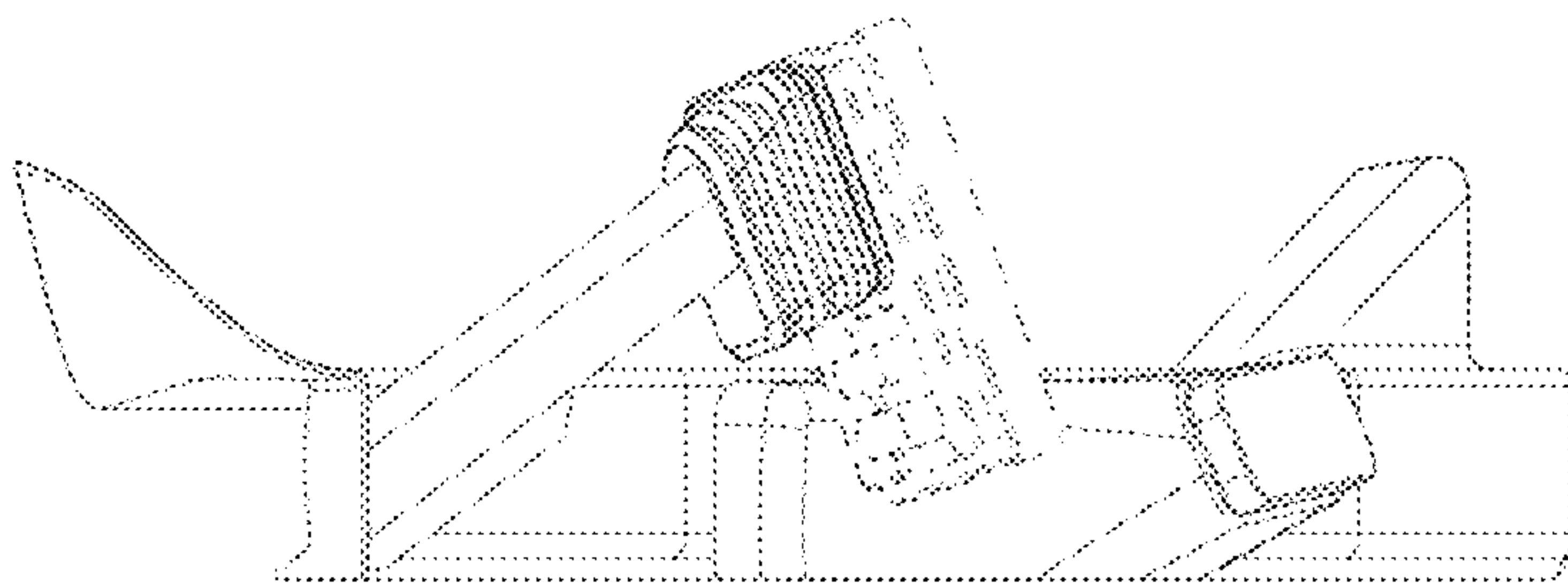


Fig. 7