



US00D906209S

(12) **United States Design Patent**  
**Spencer et al.**

(10) **Patent No.:** **US D906,209 S**

(45) **Date of Patent:** **\*\* Dec. 29, 2020**

(54) **LICENSE PLATE FRAME**

(71) Applicant: **Cruiser Accessories, LLC**, Monument, CO (US)

(72) Inventors: **Todd R. Spencer**, Monument, CO (US); **Mark Hunter Basenberg, Jr.**, Colorado Springs, CO (US); **Michael J. Schwartz**, Colorado Springs, CO (US)

(73) Assignee: **Cruiser Accessories, LLC**, Monument, CO (US)

(\*\*) Term: **15 Years**

(21) Appl. No.: **29/698,269**

(22) Filed: **Jul. 16, 2019**

(51) **LOC (12) Cl.** ..... **12-16**

(52) **U.S. Cl.**  
USPC ..... **D12/193**

(58) **Field of Classification Search**  
USPC ..... D12/193; D6/300, 301, 302, 310, 311, D6/312, 313, 314; D20/13  
CPC ..... B60R 13/10; B60R 13/105; B60R 19/24; B60R 19/52  
See application file for complete search history.

(56) **References Cited**

**U.S. PATENT DOCUMENTS**

D601,478 S \* 10/2009 Hu ..... D12/193  
D616,347 S \* 5/2010 Arenz ..... D12/193

D628,131 S \* 11/2010 Hu ..... D12/193  
D658,555 S \* 5/2012 Krankkala ..... D12/193  
D712,326 S \* 9/2014 Spencer ..... D12/193  
D726,613 S \* 4/2015 Spencer ..... D12/193  
D818,919 S \* 5/2018 Spencer ..... D12/193  
D823,759 S \* 7/2018 Spencer ..... D12/193  
D847,059 S \* 4/2019 Larson ..... D12/193  
D871,288 S \* 12/2019 Spencer ..... D12/193  
D871,989 S \* 1/2020 Spencer ..... D12/193

\* cited by examiner

*Primary Examiner* — Natasha Vujcic

(74) *Attorney, Agent, or Firm* — Linda Flewellen Gould

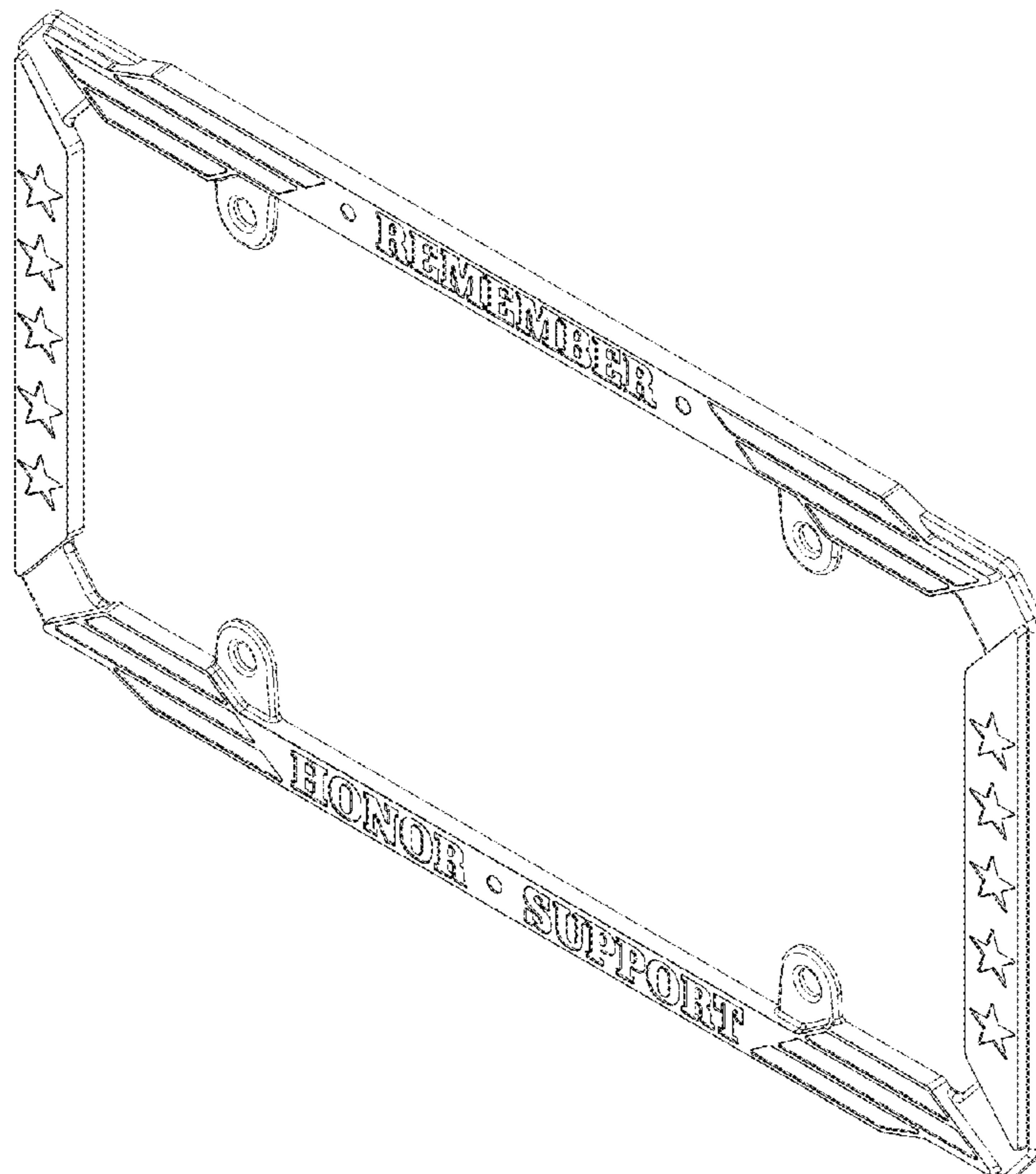
(57) **CLAIM**

The ornamental design for a license plate frame, as shown and described.

**DESCRIPTION**

FIG. 1 is a perspective front view showing our new design for a license plate frame.  
FIG. 2 is a front elevation view of the license plate frame shown in FIG. 1.  
FIG. 3 is a back elevation view thereof.  
FIG. 4 is a top plan view thereof.  
FIG. 5 is a bottom plan view thereof.  
FIG. 6 is a right side elevation view thereof; and,  
FIG. 7 is left side elevation view thereof.

**1 Claim, 3 Drawing Sheets**



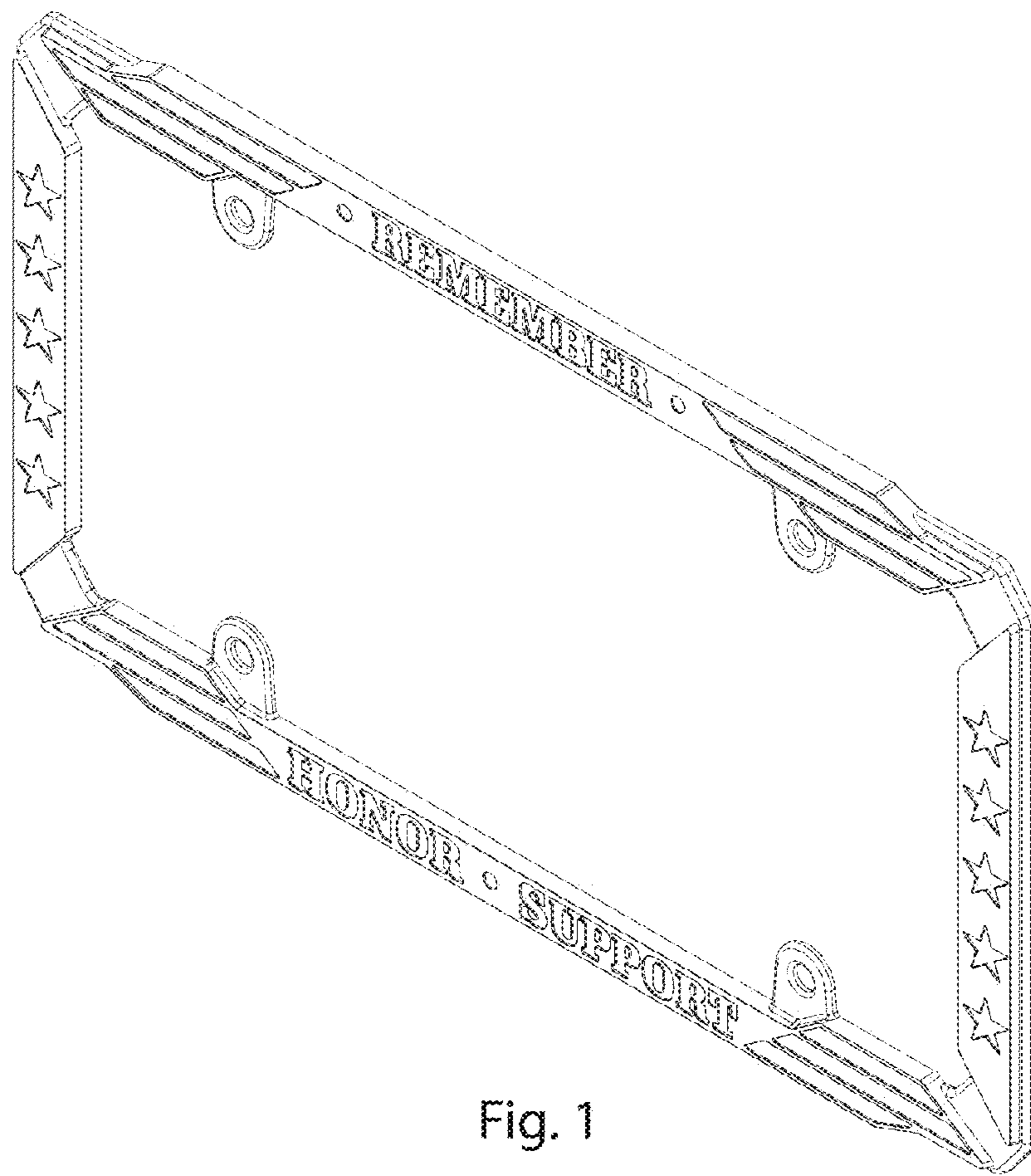


Fig. 1

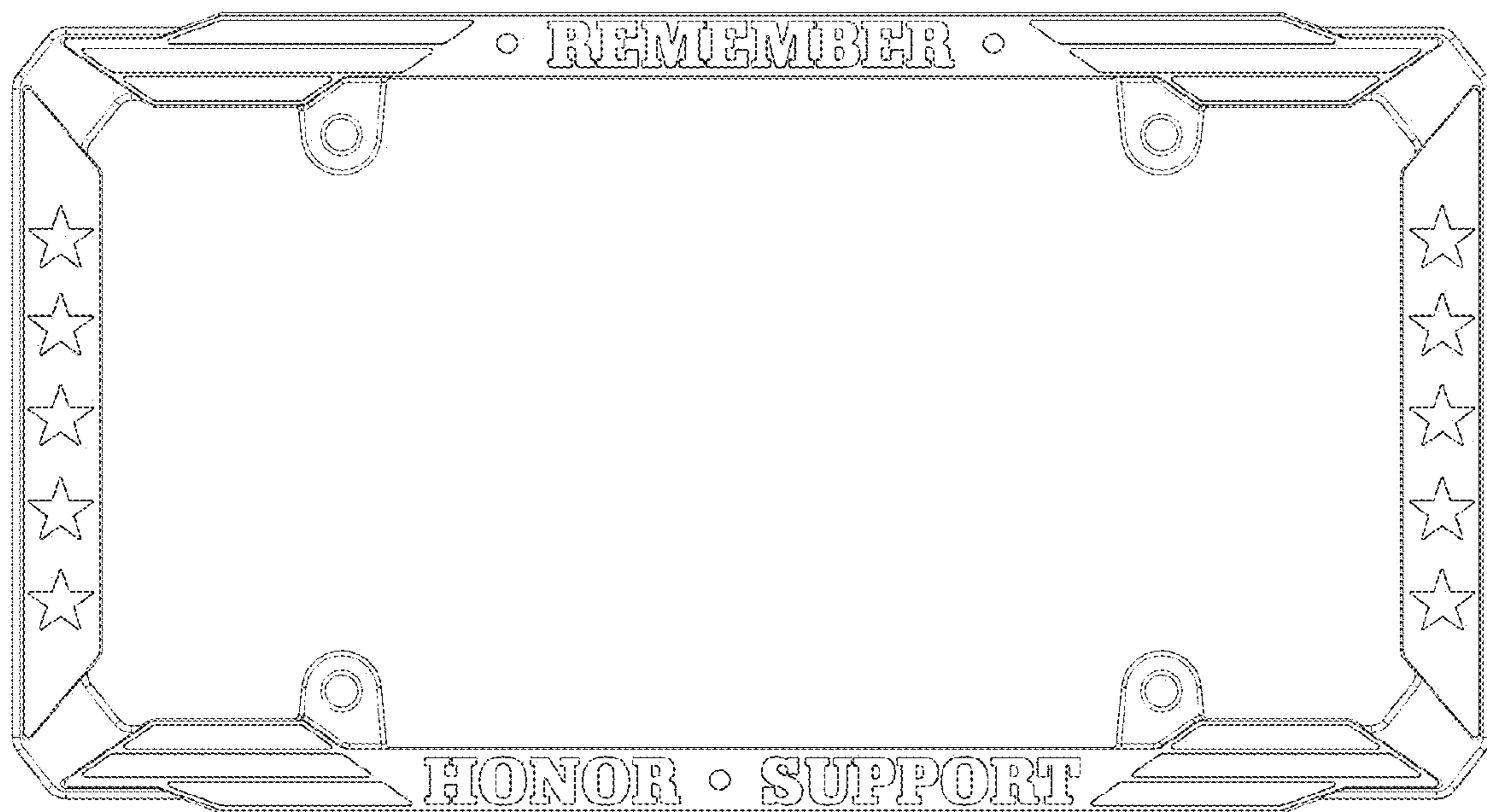


Fig. 2

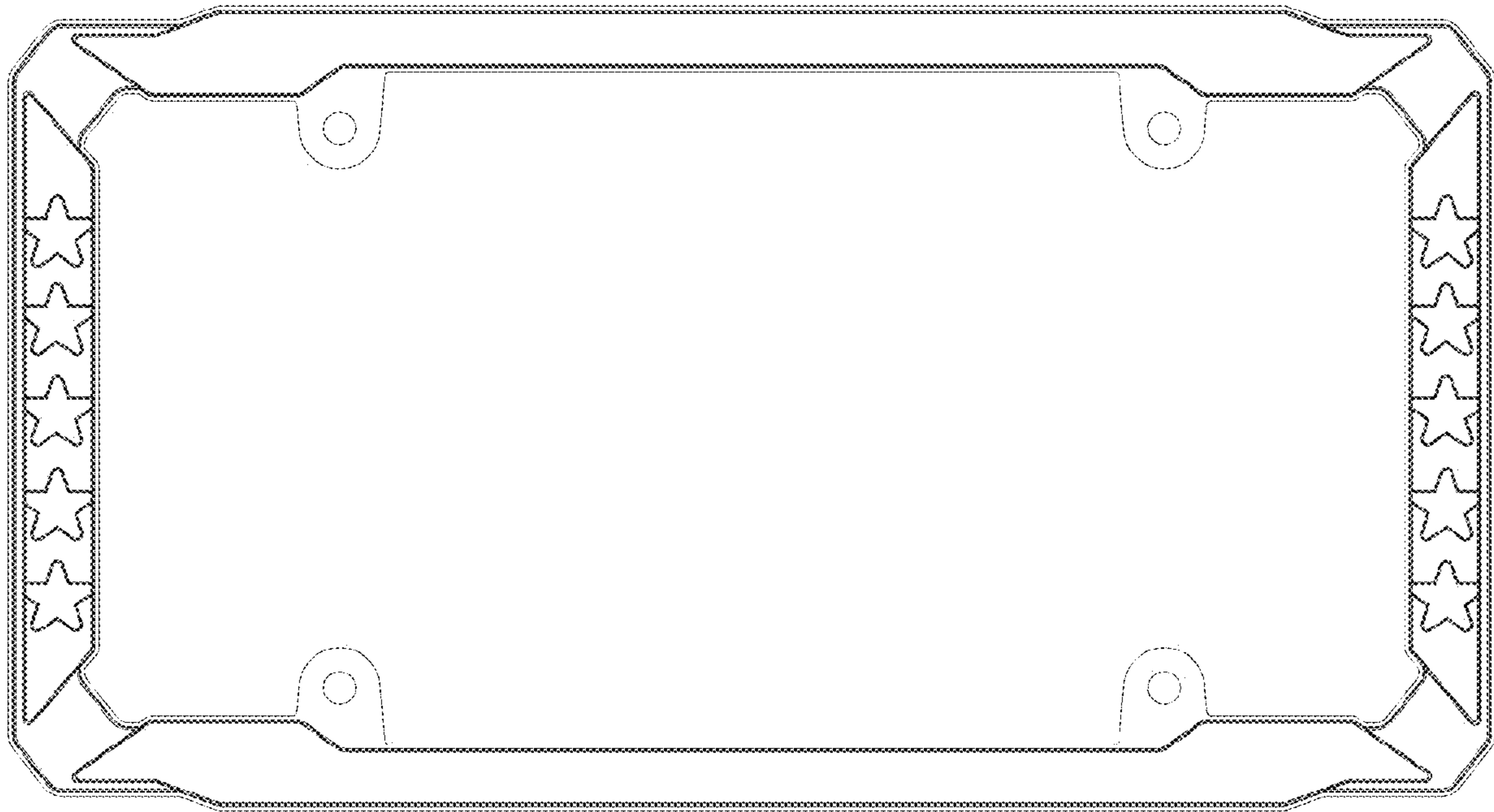


Fig. 3

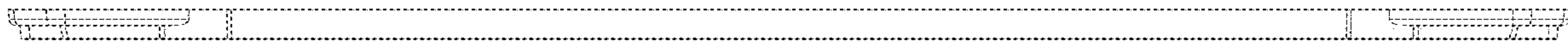


Fig. 4

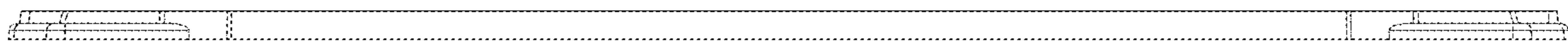


Fig. 5

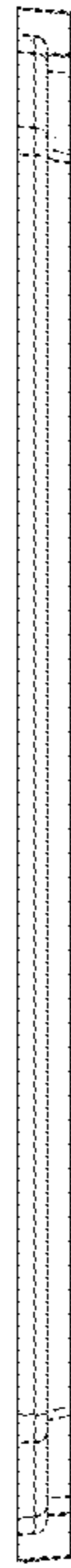


Fig. 6

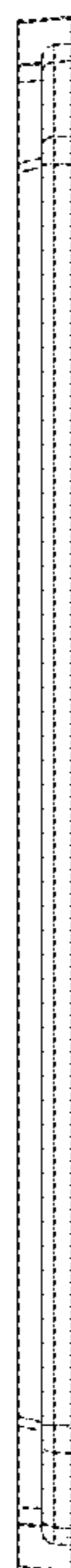


Fig. 7