



US00D906206S

(12) **United States Design Patent**
Choi et al.

(10) **Patent No.:** **US D906,206 S**

(45) **Date of Patent:** **** Dec. 29, 2020**

(54) **VEHICLE INSTRUMENT CLUSTER**

(71) Applicant: **HYUNDAI MOBIS CO., LTD.**, Seoul (KR)

(72) Inventors: **Jong Wan Choi**, Yongin-si (KR); **Jin Ah Kim**, Yongin-si (KR); **Hyung Soo Kim**, Yongin-si (KR)

(73) Assignee: **Hyundai Mobis Co., Ltd.**, Seoul (KR)

(**) Term: **15 Years**

(21) Appl. No.: **29/687,140**

(22) Filed: **Apr. 10, 2019**

(30) **Foreign Application Priority Data**

Oct. 16, 2018 (KR) 30-2018-0047386

(51) **LOC (12) Cl.** **12-16**

(52) **U.S. Cl.**
USPC **D12/192**

(58) **Field of Classification Search**

USPC D12/192, 415, 114, 345; D14/126, 375, D14/125, 371, 373-377, 382, 451, 239, D14/127, 129, 204, 210, 341, 307, 336, D14/300, 358, 496; D15/17, 28, 14, 15, D15/22-26, 31, 33; D18/2, 4.1, 4.3, 4.4, D18/4.5, 4.6, 99; D10/65, 70, 75
CPC B60K 35/00; B60K 37/00; B60K 37/02; B60K 37/04; B62D 49/00; G06F 1/1613; G06F 1/1647; G06F 1/1641; G06F 3/04883; G06F 3/0486; G06F 3/04847; G06F 3/04845; G06F 3/04817; G06F 3/0484

See application file for complete search history.

(56) **References Cited**

U.S. PATENT DOCUMENTS

D394,834 S * 6/1998 Sacco D12/192
D458,256 S * 6/2002 Liu D14/375

D483,310 S * 12/2003 Knecht D12/192
D661,672 S * 6/2012 Kim D14/126
D664,957 S * 8/2012 Kim D14/374
D692,425 S * 10/2013 Kubota D14/374
D702,658 S * 4/2014 Kim D14/126
D732,448 S * 6/2015 Yagisawa D12/192
D780,080 S * 2/2017 Ding D12/192
D795,772 S * 8/2017 Bae D12/192
D810,711 S * 2/2018 Kim D14/125
D843,288 S * 3/2019 Fontaeus D12/192
D847,057 S * 4/2019 Kono D12/192

(Continued)

Primary Examiner — Susan E Krakower

Assistant Examiner — Jerry Shiuan-Hua Hsu

(74) *Attorney, Agent, or Firm* — H.C. Park & Associates, PLC

(57) **CLAIM**

The ornamental design for a vehicle instrument cluster, as shown and described.

DESCRIPTION

FIG. 1 is a front, right perspective view of a vehicle instrument cluster, according to the present invention.

FIG. 2 is a front view of the vehicle instrument cluster shown in FIG. 1.

FIG. 3 is a rear view of the vehicle instrument cluster shown in FIG. 1.

FIG. 4 is a left-side view of the vehicle instrument cluster shown in FIG. 1.

FIG. 5 is a right-side view of the vehicle instrument cluster shown in FIG. 1.

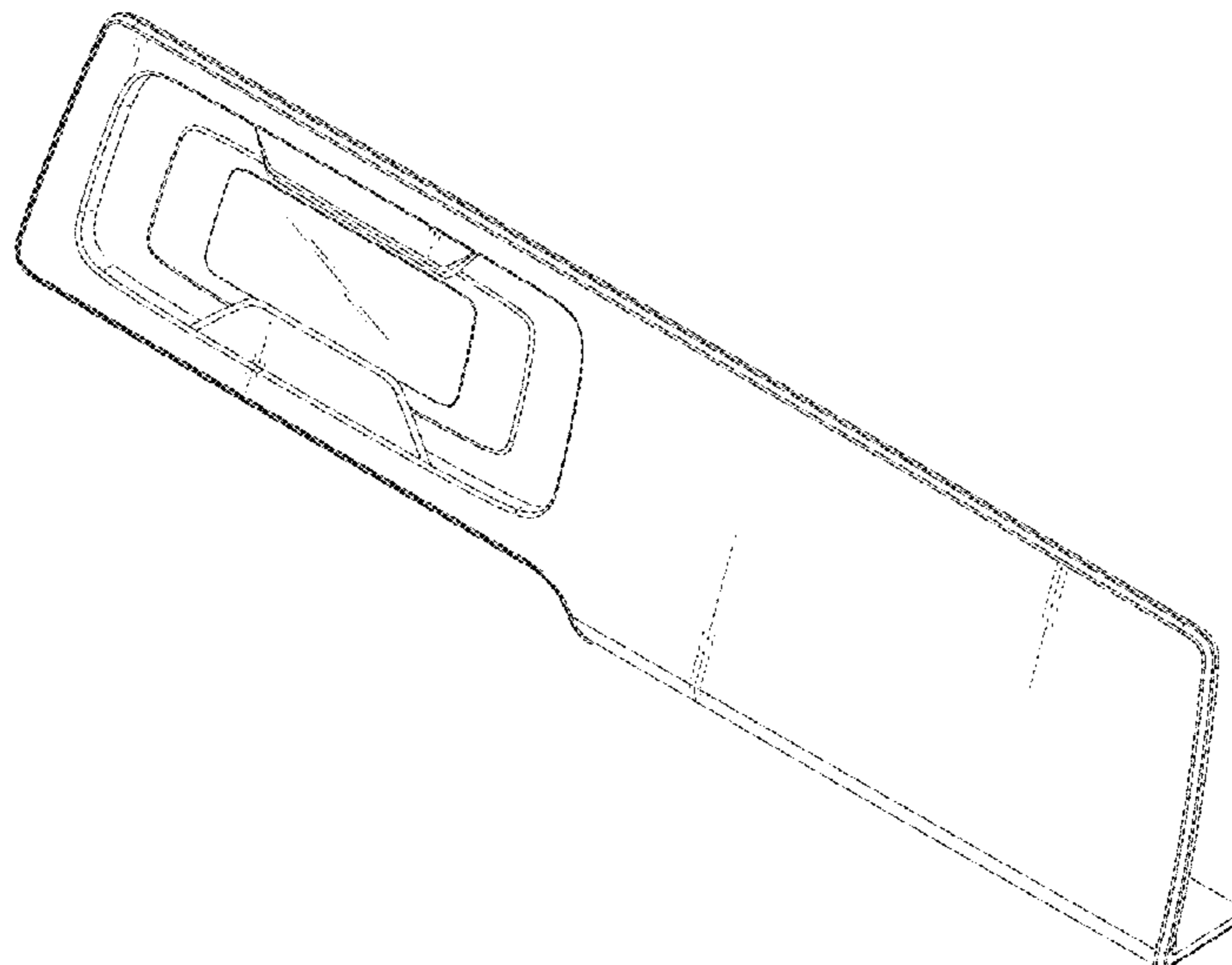
FIG. 6 is a top plan view of the vehicle instrument cluster shown in FIG. 1.

FIG. 7 is a bottom plan view of the vehicle instrument cluster shown in FIG. 1; and,

FIG. 8 is a front, right perspective view of the vehicle instrument cluster in a state of use.

The broken lines illustrate environmental structure that forms no part of the claimed design.

1 Claim, 8 Drawing Sheets



(56)

References Cited

U.S. PATENT DOCUMENTS

D849,622 S * 5/2019 Woodhouse D12/192
D860,267 S * 9/2019 Wilkie D15/28
D860,987 S * 9/2019 Allgaier D14/336

* cited by examiner

FIG. 1

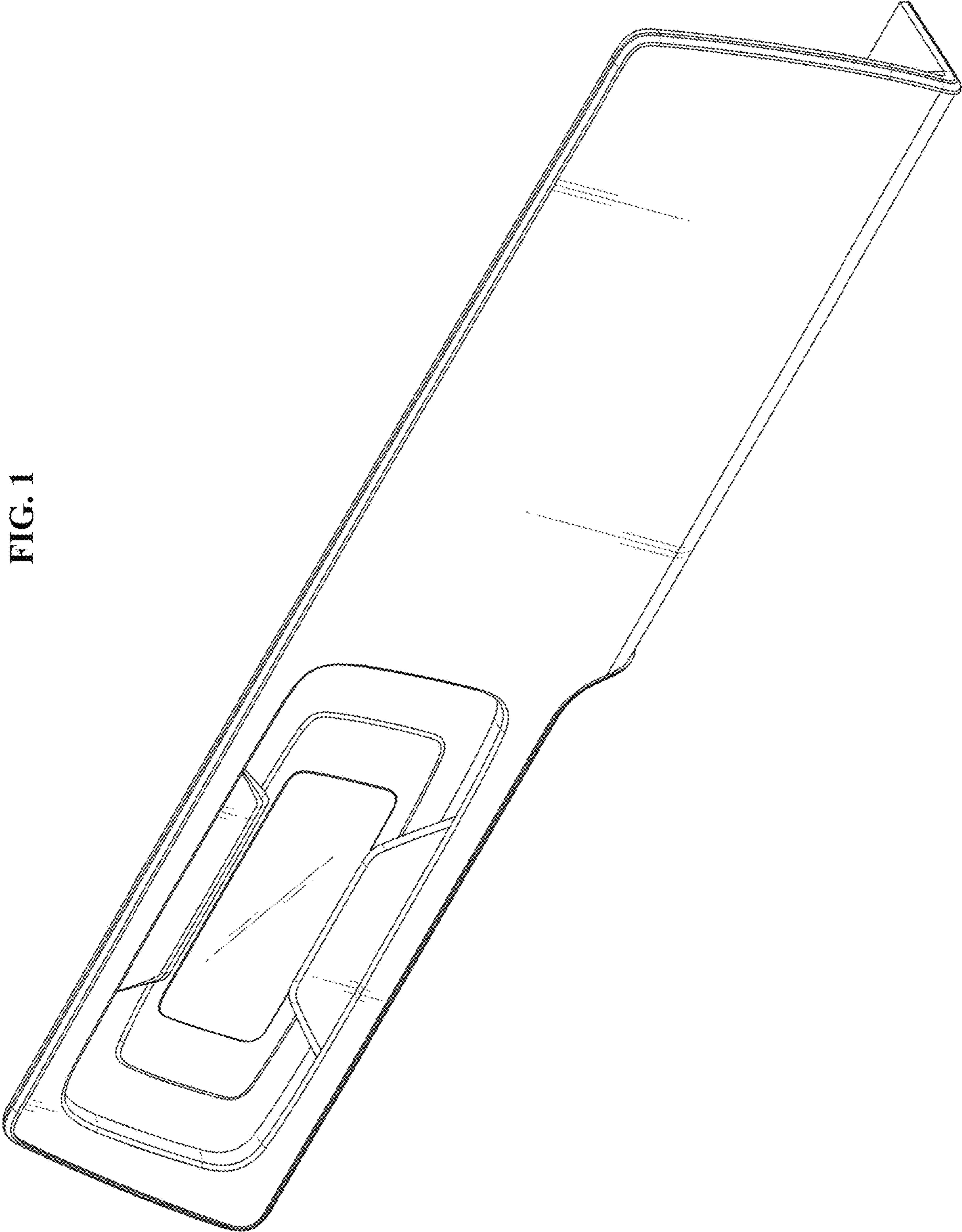


FIG. 2

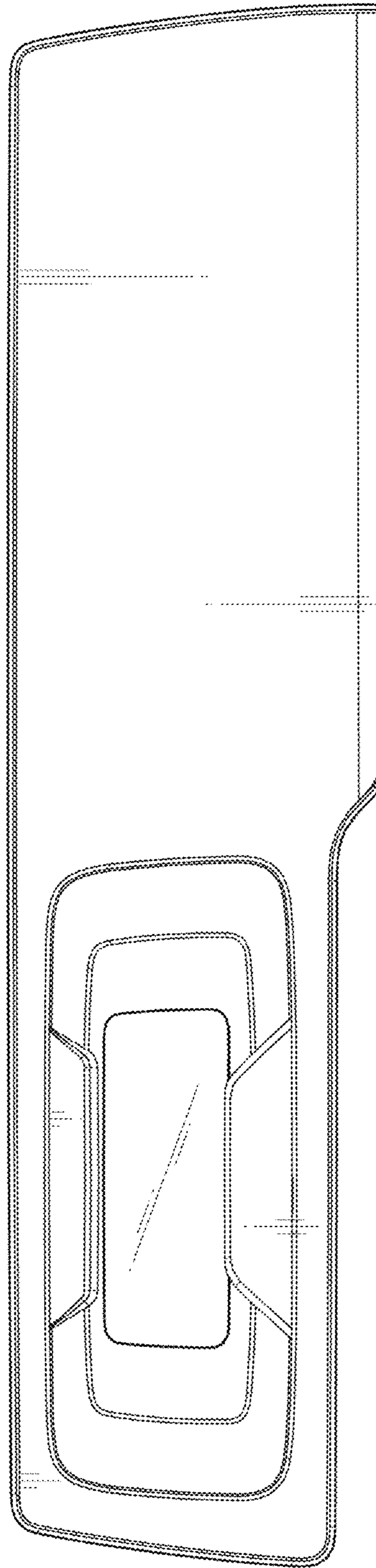


FIG. 3

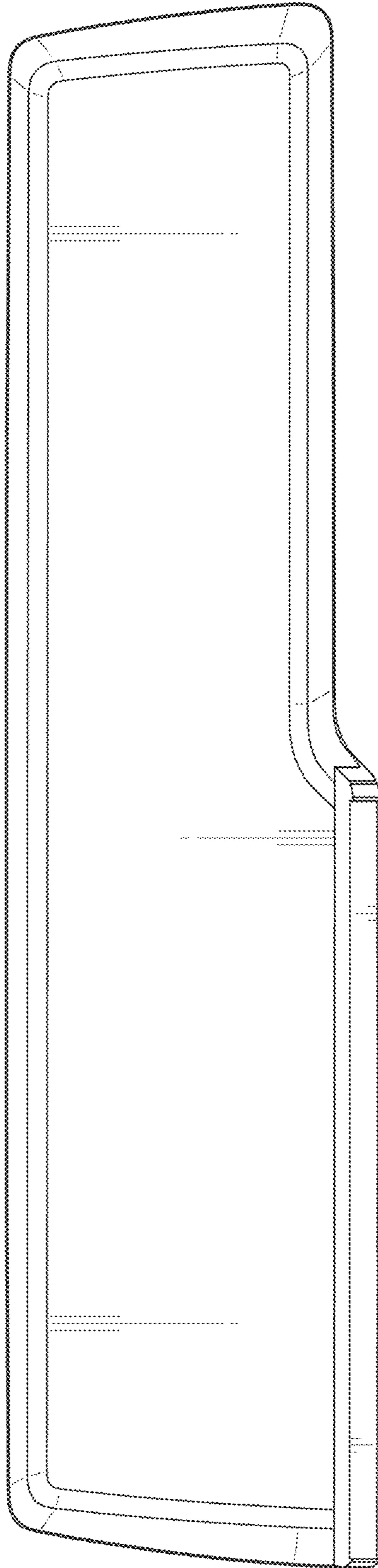


FIG. 4

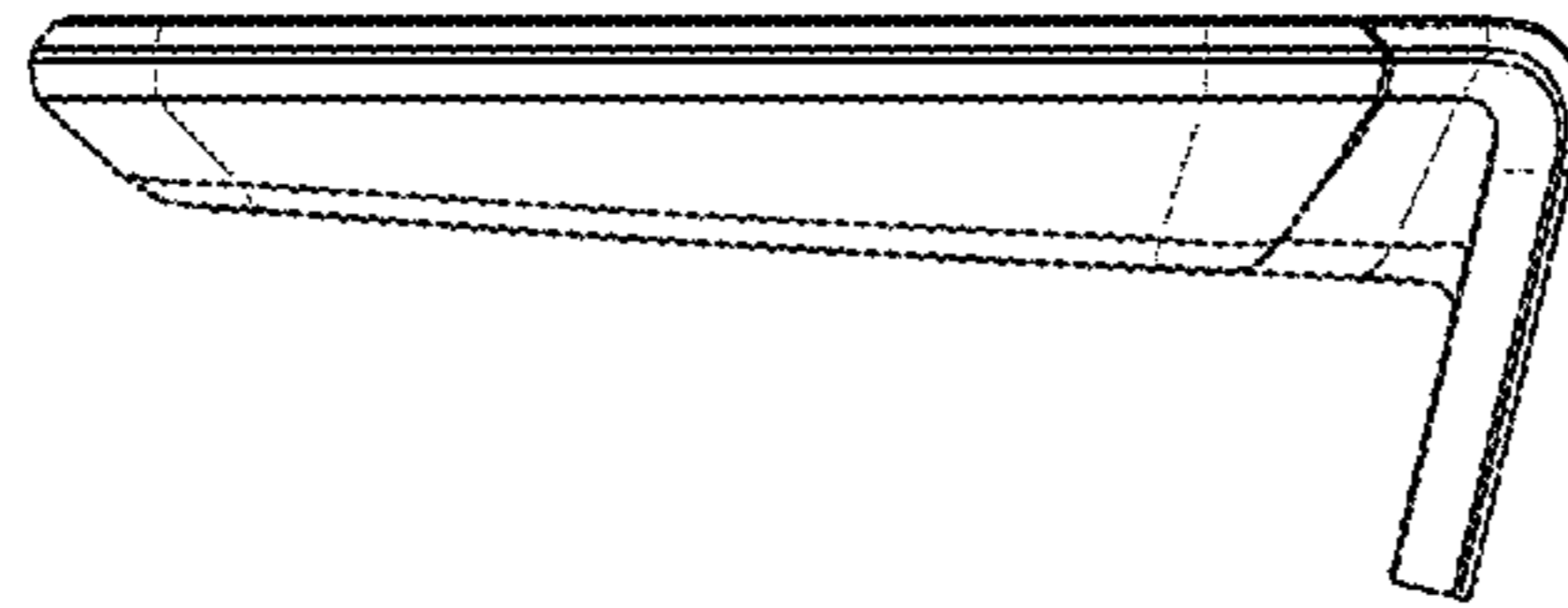


FIG. 5

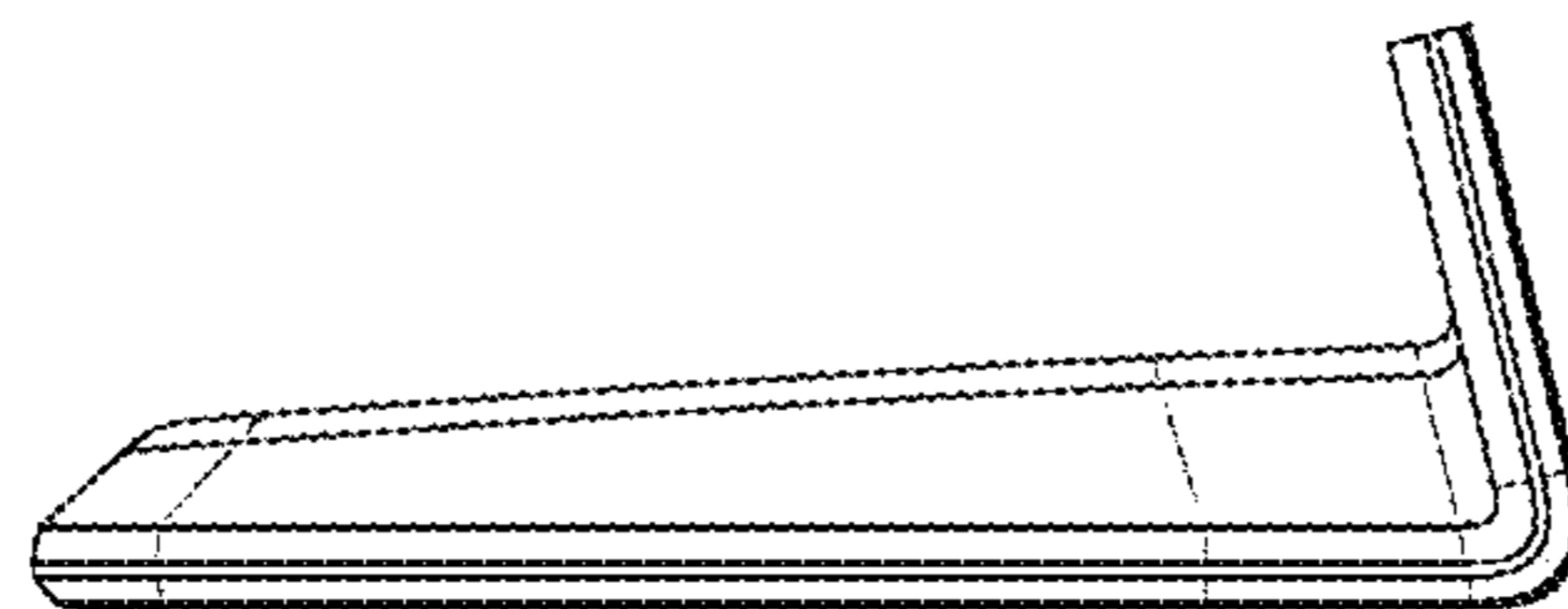


FIG. 6

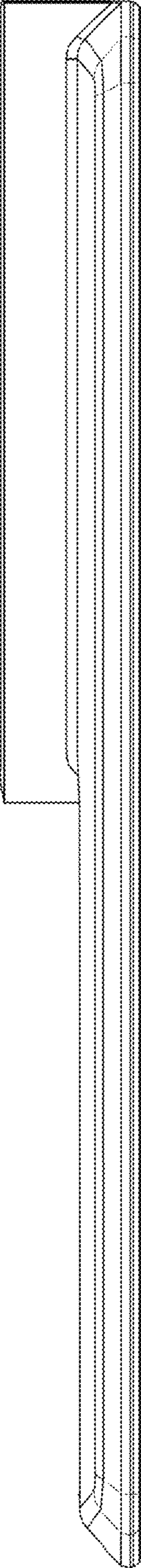


FIG. 7

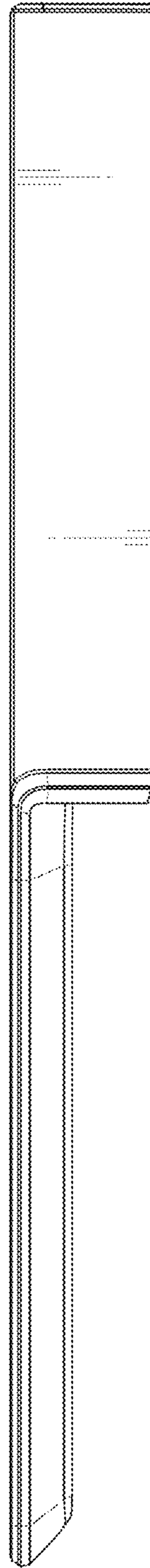


FIG. 8

