



US00D906203S

(12) **United States Design Patent**  
**Chen et al.**

(10) **Patent No.:** **US D906,203 S**

(45) **Date of Patent:** **\*\* Dec. 29, 2020**

(54) **REARVIEW MIRROR**

(71) Applicant: **CHRIS CAM INDUSTRY INC.,**  
Tainan (TW)

(72) Inventors: **Cheng-Chung Chen,** Tainan (TW);  
**Hung-Lung Chen,** Tainan (TW)

(73) Assignee: **Chris Cam Industry Inc.,** Tainan (TW)

(\*\*) Term: **15 Years**

(21) Appl. No.: **29/711,637**

(22) Filed: **Nov. 1, 2019**

(51) **LOC (12) Cl.** ..... **12-16**

(52) **U.S. Cl.**  
USPC ..... **D12/187**

(58) **Field of Classification Search**  
USPC ..... D12/187-189; D6/300, 309  
CPC ..... B60R 1/076; G02B 7/182; G02B 5/08;  
G02B 7/18

See application file for complete search history.

(56) **References Cited**

**U.S. PATENT DOCUMENTS**

D543,918 S \* 6/2007 Pfeiffer ..... D12/187  
D718,689 S \* 12/2014 Blanski ..... D12/187

D793,311 S \* 8/2017 Whitla ..... D12/187  
D800,039 S \* 10/2017 Bucher ..... D12/187  
D840,885 S \* 2/2019 Park Cheng ..... D12/187  
D882,471 S \* 4/2020 Tovey ..... D12/187  
D883,878 S \* 5/2020 Metros ..... D12/187  
D883,879 S \* 5/2020 Metros ..... D12/187  
D886,015 S \* 6/2020 Kim ..... D12/187  
D887,330 S \* 6/2020 Nilsson ..... D12/187  
D893,372 S \* 8/2020 Smock ..... D12/187  
2019/0253184 A1 \* 8/2019 Xing ..... H04B 7/06

\* cited by examiner

*Primary Examiner* — Katrina A Betton

(74) *Attorney, Agent, or Firm* — Rosenberg, Klein & Lee

(57) **CLAIM**

The ornamental design for a rearview mirror, as shown and described.

**DESCRIPTION**

FIG. 1 is a perspective view of a rearview mirror showing our new design;

FIG. 2 is a front elevational view thereof;

FIG. 3 is a rear elevational view thereof;

FIG. 4 is a left side elevational view thereof;

FIG. 5 is a right side elevational view thereof;

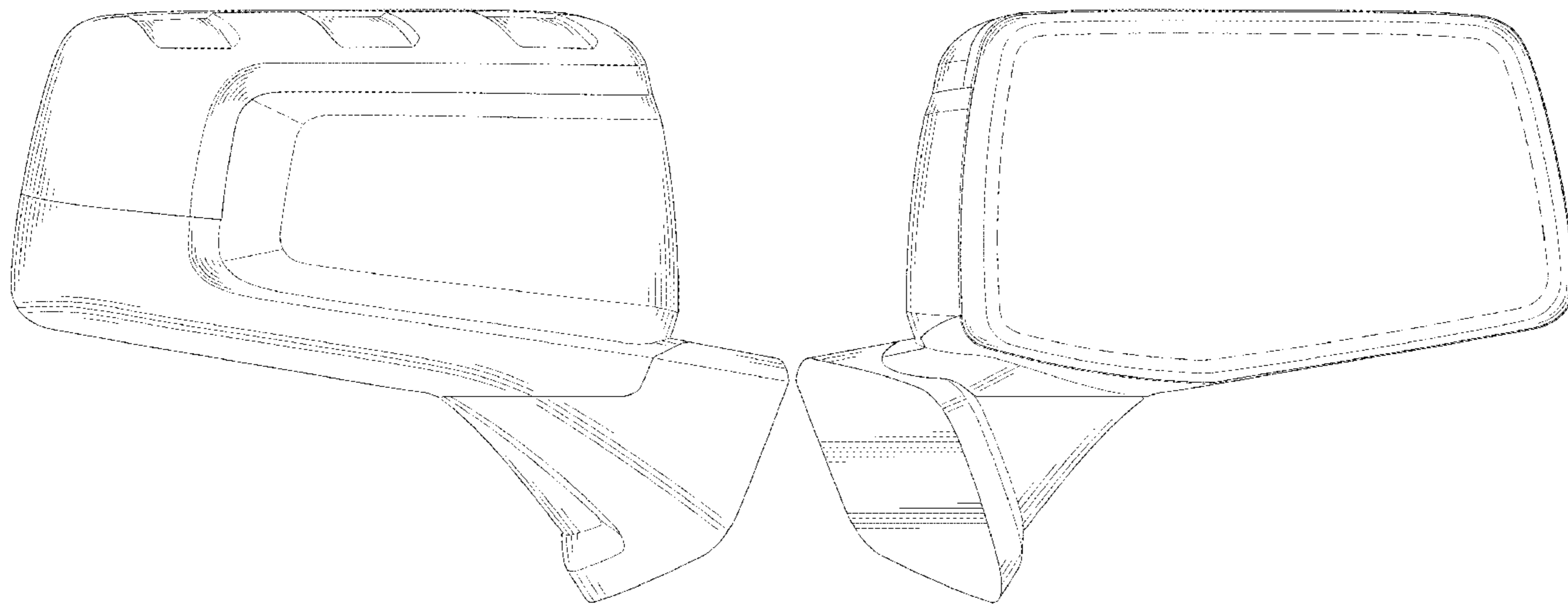
FIG. 6 is a top plan view thereof;

FIG. 7 is a bottom plan view thereof; and,

FIG. 8 is a second perspective view thereof.

The broken lines shown in the figures illustrate portions of the rearview mirror that form no part of the claimed design.

**1 Claim, 8 Drawing Sheets**



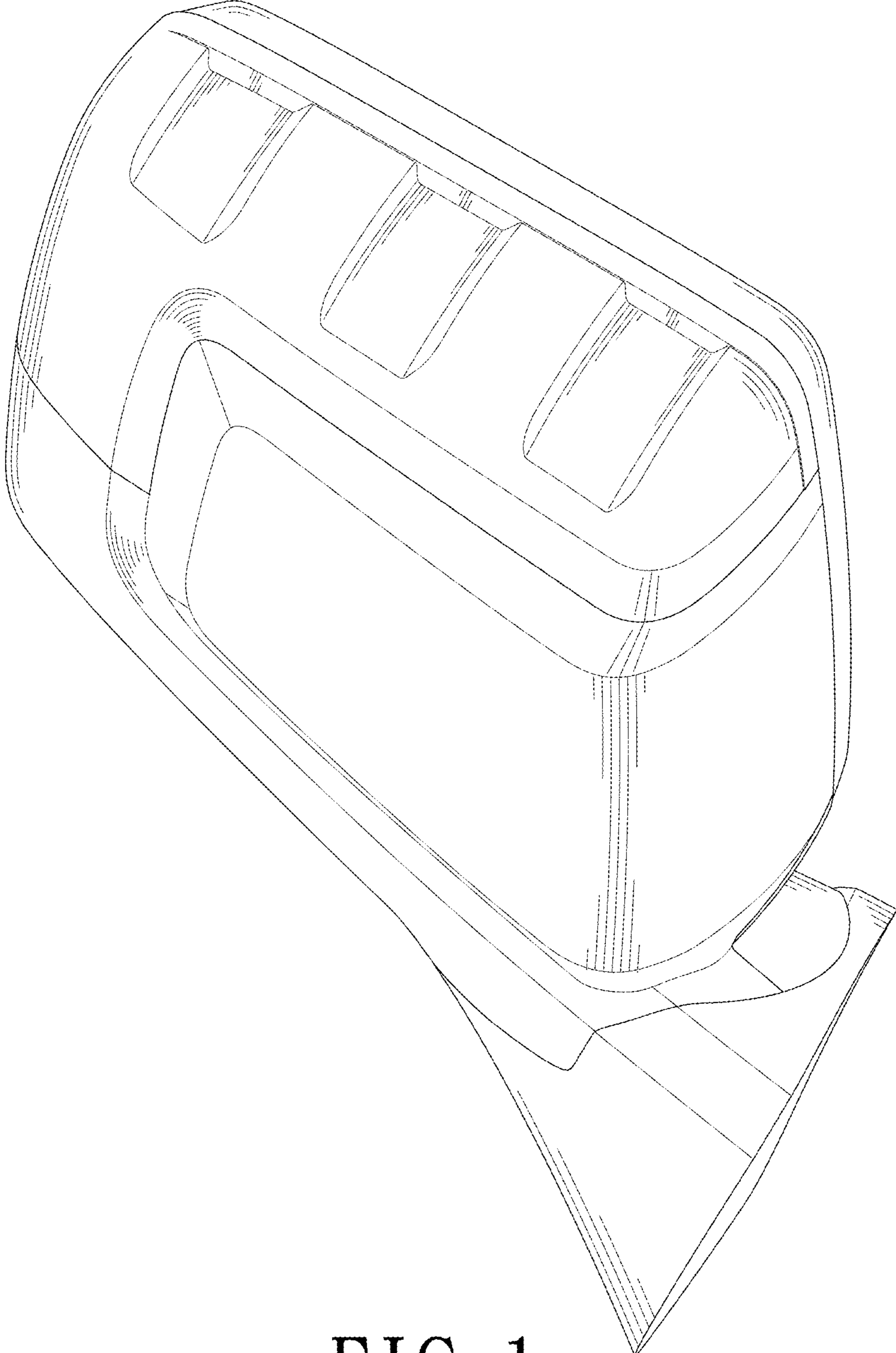


FIG. 1

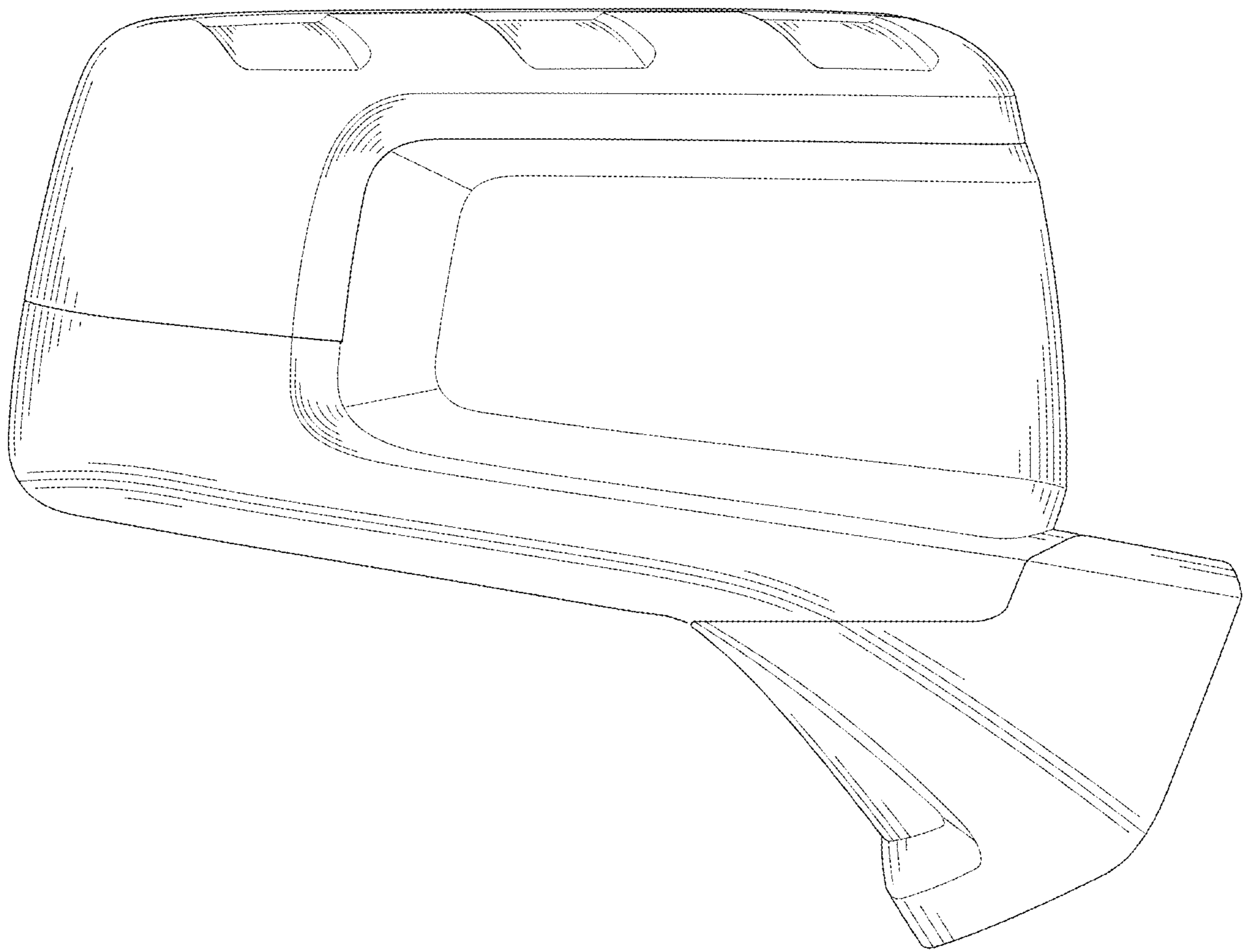


FIG. 2

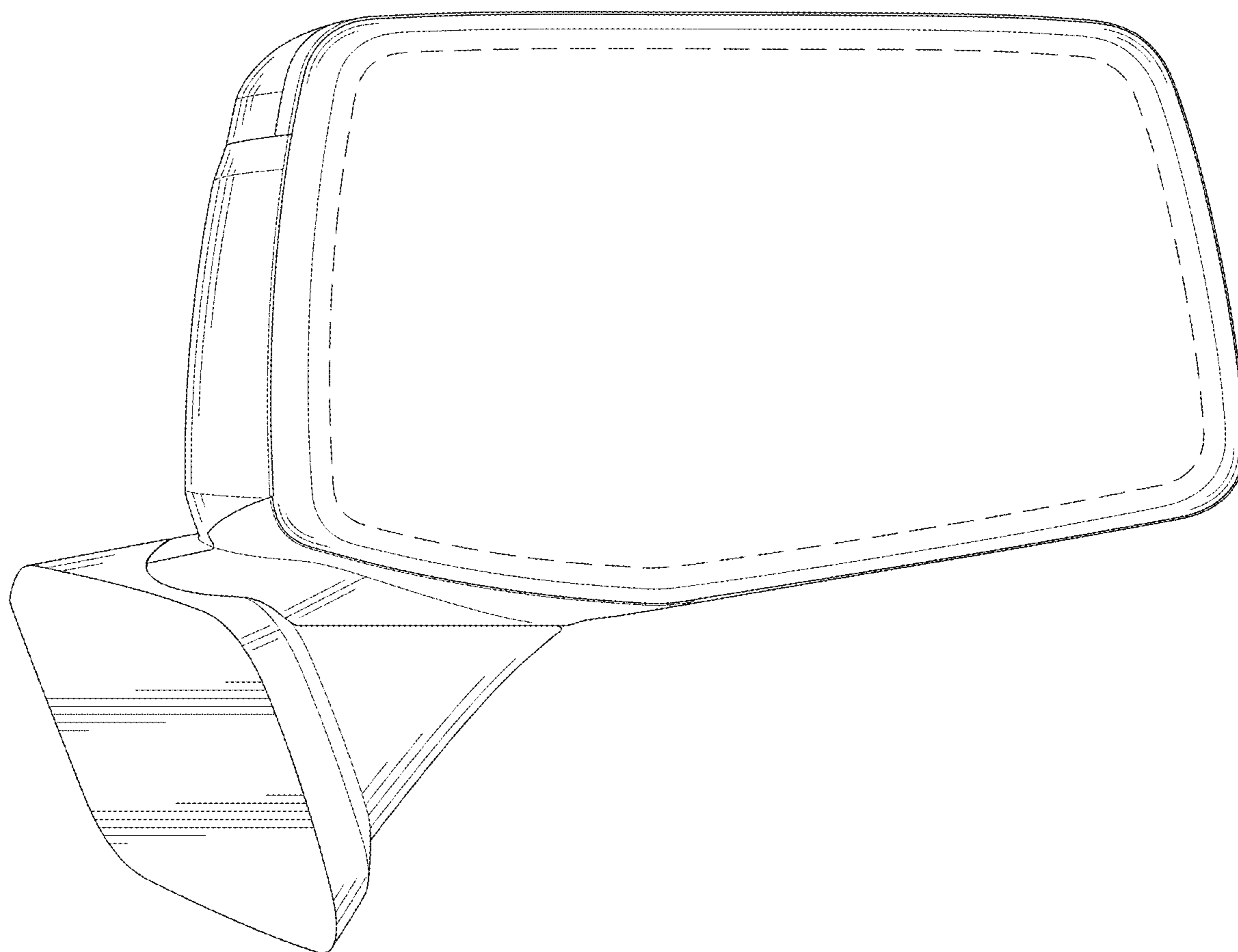


FIG. 3

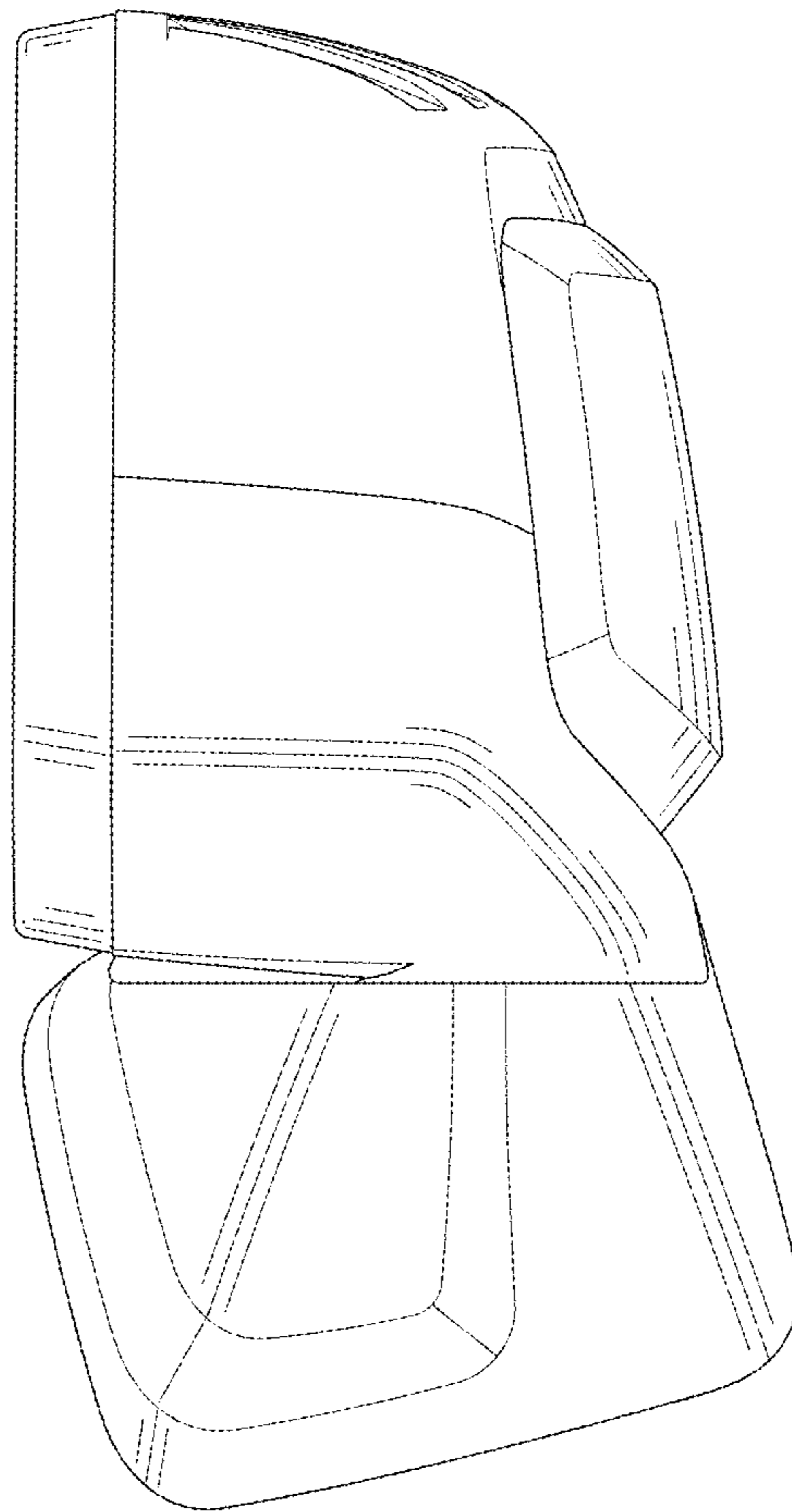


FIG. 4

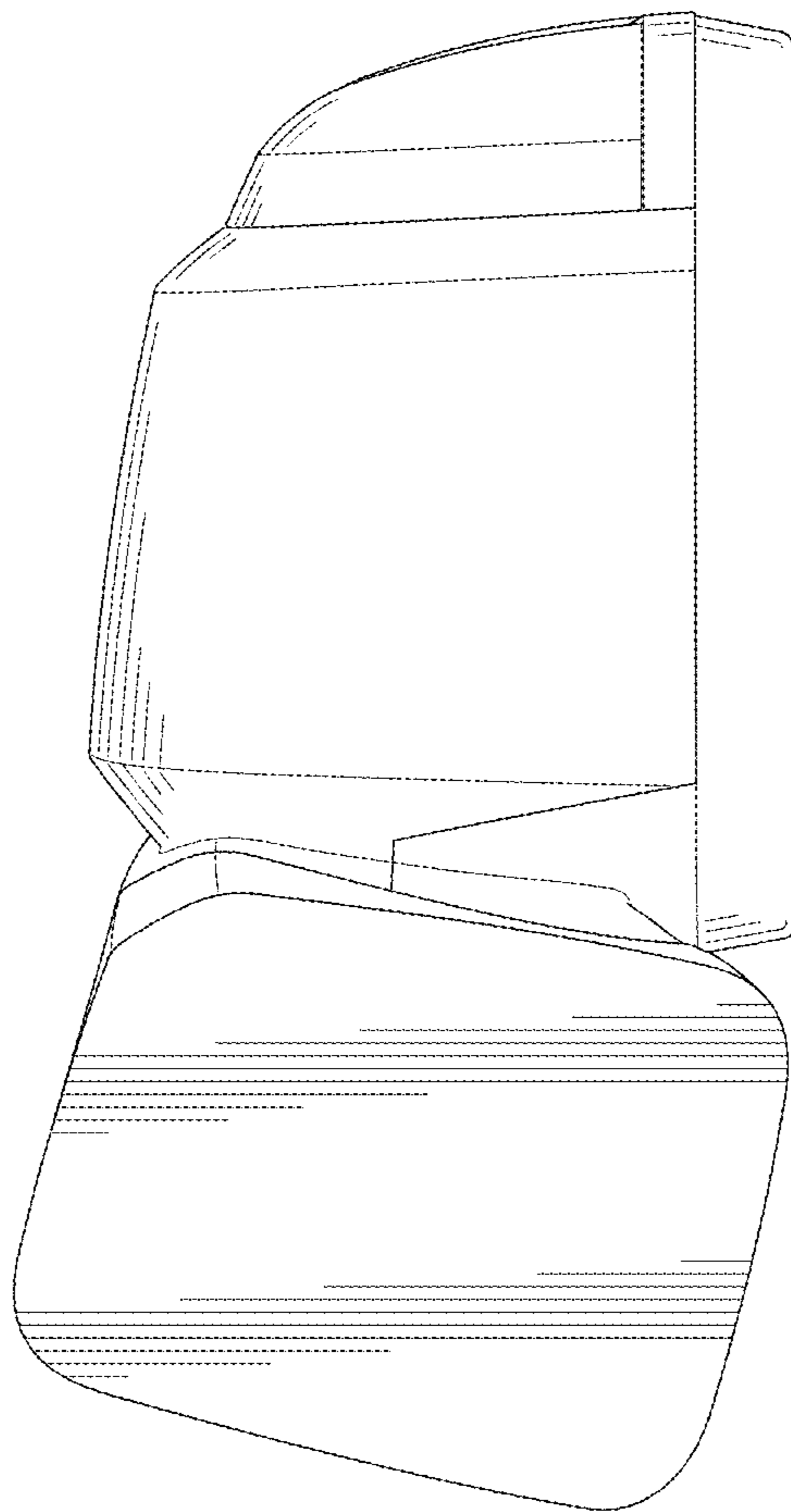


FIG. 5



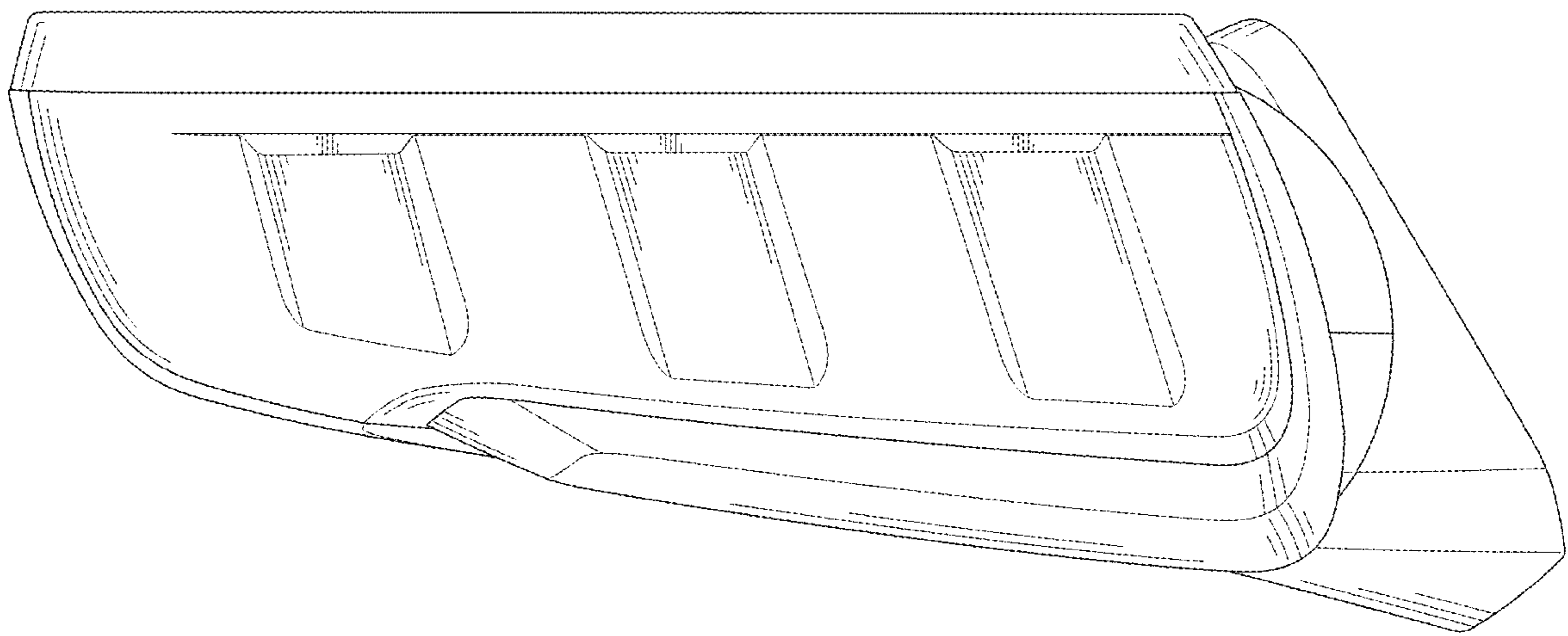


FIG. 6

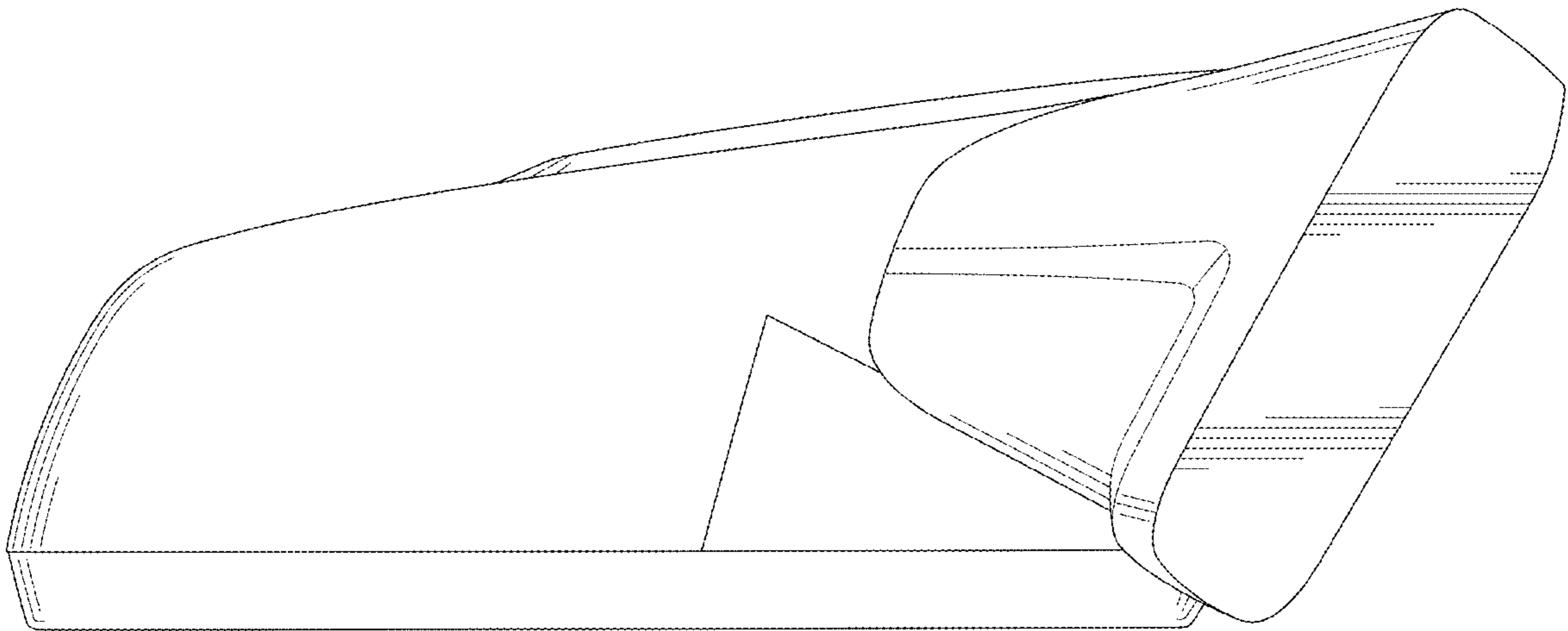


FIG. 7



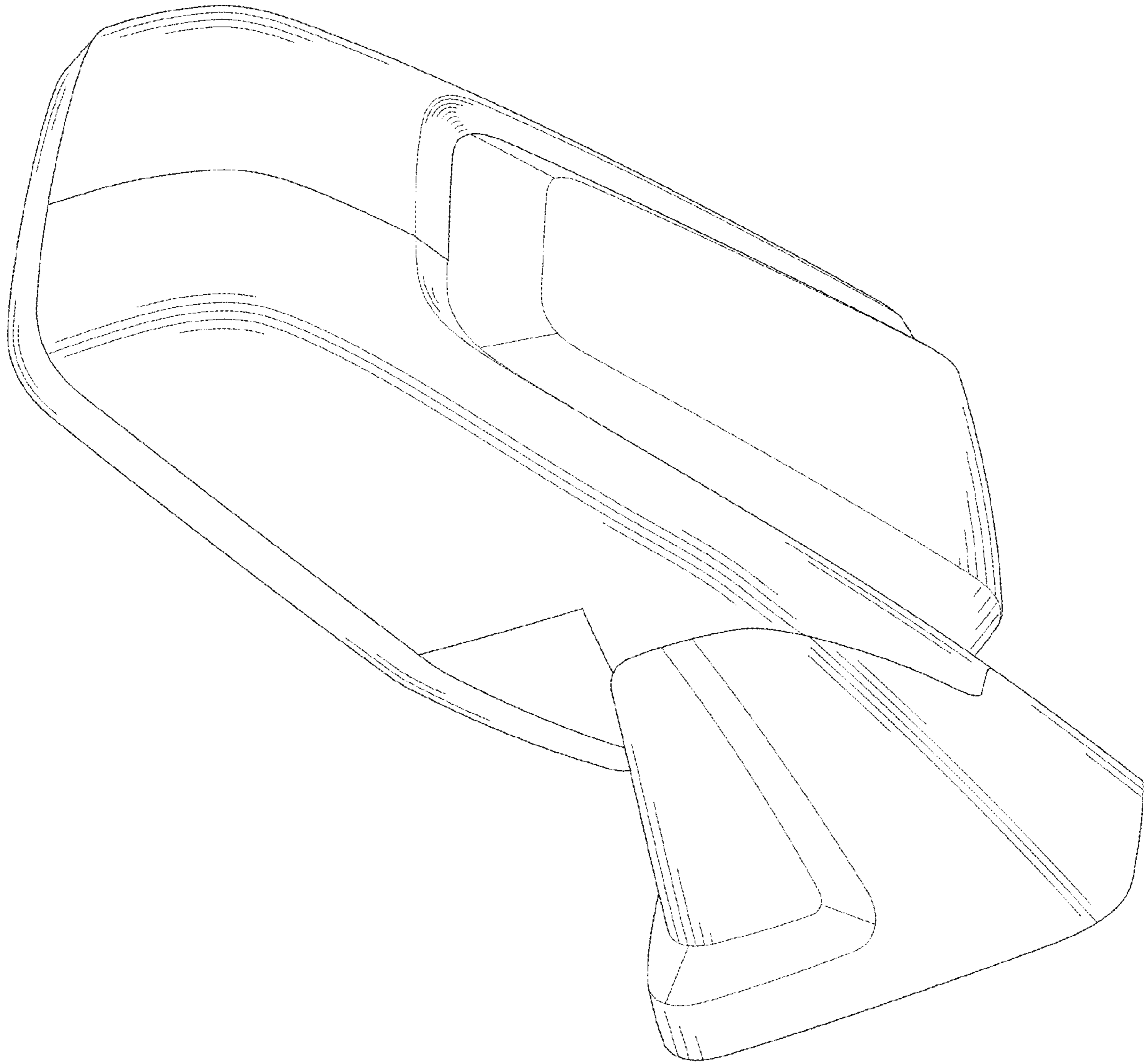


FIG. 8