



US00D906202S

(12) **United States Design Patent** (10) **Patent No.:** **US D906,202 S**  
**Bibb, VI** (45) **Date of Patent:** **\*\* Dec. 29, 2020**

(54) **FENDER FLARE**  
(71) Applicant: **Bushwacker, Inc.**, Buford, GA (US)  
(72) Inventor: **William Franklin Bibb, VI**, Highlands Ranch, CO (US)  
(73) Assignee: **Bushwacker, Inc.**, Buford, GA (US)  
(\*\*) Term: **15 Years**

D154,735 S 8/1949 Airbib  
D154,861 S 8/1949 Maher  
D156,679 S 12/1949 Stiles  
(Continued)

FOREIGN PATENT DOCUMENTS

CA 64 701 A 11/1899  
CA 76 555 A 7/1902  
(Continued)

OTHER PUBLICATIONS

Bushwacker gives SEMA Show attendees chance to vote on fender flare concepts <https://www.searchautoparts.com/aftermarket-business/news-distribution/bushwacker-gives-sema-show-attendees-chance-vote-fender-flare> Posted Nov. 7, 2018 (Year: 2018).\*

(Continued)

*Primary Examiner* — Leanne Was-Englehart  
(74) *Attorney, Agent, or Firm* — Knobbe, Martens, Olson & Bear, LLP

(21) Appl. No.: **29/668,034**  
(22) Filed: **Oct. 26, 2018**  
(51) **LOC (12) Cl.** ..... **12-06**  
(52) **U.S. Cl.**  
USPC ..... **D12/184**  
(58) **Field of Classification Search**  
USPC ..... D12/88, 181, 184, 190, 191, 196, 400  
CPC ..... B62D 25/02; B62D 25/16; B62D 25/161;  
B62D 25/18  
See application file for complete search history.

(57) **CLAIM**

The ornamental design for a fender flare, as shown and described.

(56) **References Cited**

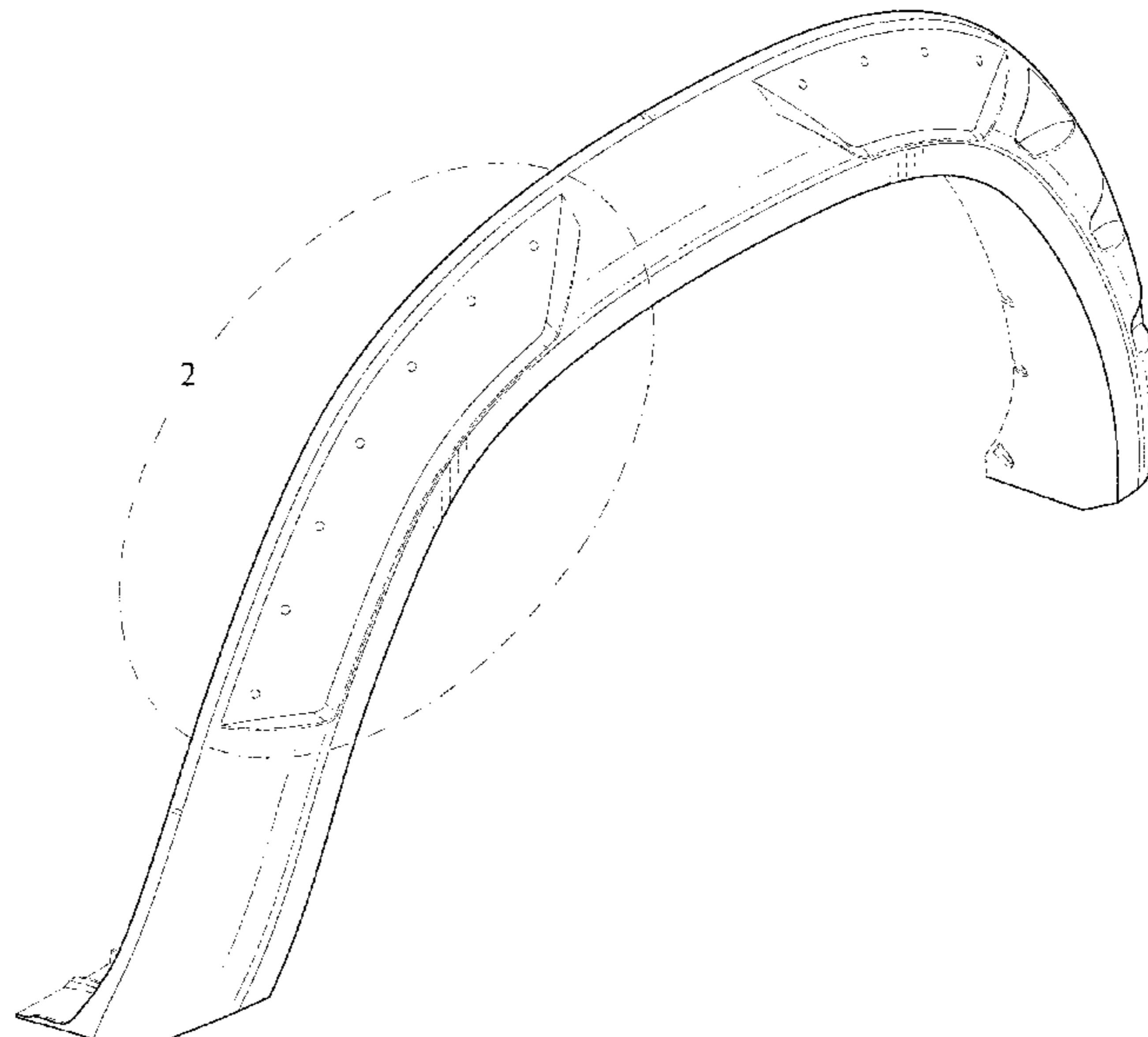
U.S. PATENT DOCUMENTS

D23,794 S 11/1894 Marks  
D50,345 S 2/1917 Green  
D50,346 S 2/1917 Green  
1,453,340 A 5/1923 Druar  
1,588,654 A 6/1926 Brownlee  
1,787,035 A 12/1930 Davis  
1,811,527 A 6/1931 Young  
D85,241 S 9/1931 Henderson  
1,825,192 A 9/1931 Mace  
2,054,538 A 9/1936 Graves et al.  
2,059,305 A 11/1936 Best  
2,073,159 A 3/1937 Lintern et al.  
2,106,418 A 1/1938 Wagner  
2,184,798 A 12/1939 Gracey  
2,236,846 A 4/1941 Davisson  
2,281,840 A 5/1942 Hamilton  
2,475,901 A 7/1949 Kipp

**DESCRIPTION**

FIG. 1 is a front perspective view of a fender flare;  
FIG. 2 is an enlarged view of a portion of the fender flare of FIG. 1 shown in area designated 2 in FIG. 1;  
FIG. 3 is a bottom rear perspective view thereof;  
FIG. 4 is a front elevational view thereof;  
FIG. 5 is a rear elevational view thereof;  
FIG. 6 is a left elevational view thereof;  
FIG. 7 is a right elevational view thereof;  
FIG. 8 is a top plan view thereof; and,  
FIG. 9 is a bottom plan view thereof.  
Broken lines are used to illustrate features of the fender flare which form no part of the claimed design.

**1 Claim, 7 Drawing Sheets**



(56)

## References Cited

## U.S. PATENT DOCUMENTS

D157,555 S	3/1950	Abrams	D288,309 S	2/1987	Lund
D159,144 S	6/1950	Dieterich	D288,310 S	2/1987	Lund
2,534,763 A	12/1950	Flavin	D291,295 S	8/1987	Lund
2,566,934 A	9/1951	Dieterich	4,685,718 A	8/1987	Steenblik et al.
2,567,501 A	9/1951	Zeis	4,700,980 A	10/1987	Josefczak
2,599,809 A	6/1952	Branch	4,707,014 A	11/1987	Rich
D167,676 S	9/1952	Chicorel	4,709,938 A	12/1987	Ward et al.
2,749,830 A	6/1956	Landon	4,726,619 A	2/1988	Haugestad
2,757,954 A	8/1956	Hurley	D294,707 S	3/1988	Cameron
2,777,732 A	1/1957	Walsh	4,750,549 A	6/1988	Ziegler et al.
2,792,254 A	5/1957	Hagglund	4,756,242 A	7/1988	Keith
2,793,705 A	5/1957	Garrity	4,758,040 A	7/1988	Kingsley
2,857,973 A	10/1958	Garrity	4,776,627 A	10/1988	Hutto
2,859,680 A	11/1958	Edwards	4,784,430 A	11/1988	Biermacher
2,949,842 A	8/1960	Crandall	D299,713 S	2/1989	Dunham
3,015,517 A	1/1962	Thornburgh	4,819,136 A	4/1989	Ramsey
3,022,848 A	2/1962	Bennett	D300,918 S	5/1989	Turner
D201,496 S	6/1965	Stef	D301,028 S	5/1989	Buck
3,214,216 A	10/1965	Brown, Jr.	D301,450 S	6/1989	Kingsley
3,434,408 A	3/1969	Rivers	4,842,319 A	6/1989	Ziegler et al.
3,487,420 A	12/1969	Herr	4,842,320 A	6/1989	Kingsley
3,678,635 A	7/1972	Vagi et al.	4,842,912 A	6/1989	Hutter, III
3,695,674 A	10/1972	Baker	4,844,529 A	7/1989	O'Saben
3,728,537 A	4/1973	Barenyi et al.	D304,437 S	11/1989	Eash
3,736,404 A	5/1973	Eisler	D304,819 S	11/1989	Chapman et al.
3,785,699 A	1/1974	Molaskey	4,904,014 A	2/1990	Azarovitz et al.
3,815,700 A	6/1974	Mittendorf	4,923,241 A	5/1990	Miller
3,866,524 A	2/1975	Forbes, Jr.	4,929,013 A	5/1990	Eke
3,866,527 A	2/1975	Katris	4,966,404 A	10/1990	Lund
D239,705 S	4/1976	Lund	D312,238 S	11/1990	Lund
3,987,863 A	10/1976	Mittendorf	D319,209 S	8/1991	Miller
4,018,472 A	4/1977	Mason, Jr.	5,042,551 A	8/1991	Ein et al.
4,039,221 A	8/1977	Eady	5,048,868 A	9/1991	Arenhold
4,040,656 A	8/1977	Clenet	5,067,760 A	11/1991	Moore
4,043,587 A	8/1977	Giallourakis	5,082,321 A	1/1992	Brewer
4,052,099 A	10/1977	Lowery et al.	5,112,095 A	5/1992	Lund et al.
4,063,773 A	12/1977	Modesette	5,114,205 A	5/1992	Jee
4,089,256 A	5/1978	Furcini	D326,636 S	6/1992	Barth
4,099,760 A	7/1978	Mascotte	5,120,082 A	6/1992	Ito
4,149,749 A	4/1979	Canal	5,130,906 A	7/1992	Lund
4,153,129 A	5/1979	Redmond	5,150,941 A	9/1992	Silzer et al.
4,159,845 A	7/1979	Bratsberg	5,183,303 A	2/1993	Zoller
D252,680 S	8/1979	Kingsley et al.	5,215,343 A	6/1993	Fortune
4,169,608 A	10/1979	Logan	5,234,247 A	8/1993	Pacer
4,174,021 A	11/1979	Barlock	5,238,268 A	8/1993	Logan
4,174,850 A	11/1979	Hart	5,251,953 A	10/1993	Willey
4,178,034 A	12/1979	Mittendorf	5,280,386 A	1/1994	Johnson et al.
4,191,097 A	3/1980	Groen	5,284,376 A	2/1994	Zweigart
4,219,870 A	8/1980	Haraden et al.	5,308,134 A	5/1994	Stanesic
D256,793 S	9/1980	Logan	D348,242 S	6/1994	Tsao
4,262,954 A	4/1981	Thompson	5,320,461 A	6/1994	Stanesic
D259,873 S	7/1981	Milner	5,340,154 A	8/1994	Scott
D261,500 S	10/1981	Butler	5,348,363 A	9/1994	Fink
4,309,056 A	1/1982	Long	5,353,571 A	10/1994	Berdan et al.
4,320,919 A	3/1982	Butler	D352,491 S	11/1994	Galasso
D264,833 S	6/1982	Trombley et al.	5,403,059 A	4/1995	Turner
4,347,781 A	9/1982	Hassell	5,456,786 A	10/1995	Cook et al.
4,364,591 A	12/1982	Bien	5,460,425 A	10/1995	Stephens
4,412,698 A	11/1983	Kingsley	5,475,956 A	12/1995	Agrawal et al.
D272,429 S	1/1984	Trombley et al.	5,522,634 A	6/1996	Stanesic et al.
4,423,668 A	1/1984	Long	D375,068 S	10/1996	Lund
D273,672 S	5/1984	Lund	5,595,416 A	1/1997	Horwill
4,447,067 A	5/1984	Yamashita	5,613,710 A	3/1997	Waner
4,471,991 A	9/1984	Matthias	D379,956 S	6/1997	Baughman
4,476,774 A	10/1984	Liberto et al.	5,636,892 A	6/1997	Gordon
4,493,577 A	1/1985	Cosenza	5,651,566 A	7/1997	Arenhold
4,527,466 A	7/1985	Kossor et al.	D382,239 S	8/1997	Logan et al.
4,547,013 A	10/1985	McDaniel	5,664,871 A	9/1997	Thompson
D283,120 S	3/1986	Trombley et al.	5,676,418 A	10/1997	Streffling
D283,611 S	4/1986	Kingsley	5,683,293 A	11/1997	Mohammed
4,592,937 A	6/1986	Nagata et al.	5,697,644 A	12/1997	Loga et al.
D284,565 S	7/1986	Trombley et al.	5,718,283 A	2/1998	Naty et al.
4,605,238 A	8/1986	Arenhold	5,722,690 A	3/1998	Ward et al.
4,621,824 A	11/1986	Arenhold	5,755,483 A	5/1998	Lund
4,627,657 A	12/1986	Daniels et al.	D395,365 S	6/1998	Verbeek et al.
			D395,421 S	6/1998	Gable et al.
			5,791,719 A	8/1998	Alley
			5,797,645 A	8/1998	Schenk et al.
			5,823,553 A	10/1998	Thompson

(56)

References Cited

U.S. PATENT DOCUMENTS

5,829,786 A	11/1998	Dahl	D556,657 S	12/2007	Elwell et al.	
5,851,044 A	12/1998	Lund	D564,414 S	3/2008	Okue	
D403,639 S	1/1999	Gale et al.	D564,425 S	3/2008	Okue	
D404,698 S	1/1999	Schenk et al.	7,377,564 B1	5/2008	Baffy et al.	
5,925,425 A	7/1999	Nelson	D570,509 S	6/2008	Logan	
5,879,045 A	9/1999	Logan	D570,754 S	6/2008	Kim et al.	
D415,354 S	10/1999	Horwill et al.	D580,328 S	11/2008	Jones	
5,984,401 A	11/1999	Hannah	D582,825 S *	12/2008	Logan .....	D12/184
5,988,305 A	11/1999	Sakai et al.	D586,270 S	2/2009	Suga et al.	
6,019,414 A	2/2000	Pourciau, Sr.	D590,756 S	4/2009	Williams et al.	
6,027,156 A	2/2000	Lund et al.	D591,654 S	5/2009	Williams et al.	
6,042,473 A	3/2000	McClary	D591,655 S	5/2009	Golden et al.	
D422,541 S	4/2000	Richter	D591,656 S	5/2009	Golden et al.	
D424,495 S	5/2000	Damon et al.	D591,657 S	5/2009	Golden et al.	
D424,496 S	5/2000	Damon et al.	D591,658 S	5/2009	Golden et al.	
6,070,908 A	6/2000	Skrzypchak	7,537,253 B2	5/2009	Rosen et al.	
6,099,064 A	8/2000	Lund	7,578,527 B2	8/2009	Iverson et al.	
6,099,065 A	8/2000	Lund	7,589,622 B2	9/2009	Farley	
D431,511 S	10/2000	Damon et al.	D608,546 S	1/2010	Dicker et al.	
D432,476 S	10/2000	Damon et al.	D610,511 S	2/2010	Dubanowski et al.	
6,131,681 A	10/2000	Nelson et al.	7,717,467 B2	5/2010	Iverson	
D436,335 S	1/2001	Beigel	7,762,876 B2	7/2010	McClary	
6,193,278 B1	2/2001	Ward et al.	7,766,356 B2	8/2010	Iverson	
D438,495 S	3/2001	Bobo	D623,103 S *	9/2010	Braga .....	D12/181
6,205,642 B1	3/2001	Czirmer	7,857,352 B2	12/2010	Logan	
6,350,195 B1	2/2002	Iino	D644,972 S	9/2011	Beigel et al.	
6,460,914 B2	10/2002	Gille et al.	8,061,747 B2	11/2011	Shoup et al.	
D467,018 S	12/2002	Shih et al.	8,118,329 B2	2/2012	Braga	
6,511,109 B1	1/2003	Schultz et al.	8,127,501 B2	3/2012	Nakao	
D472,655 S	4/2003	Lin	8,147,300 B2	4/2012	Lunghofer	
6,547,305 B1	4/2003	Ellis	8,360,500 B2	1/2013	Mishimagi	
6,547,306 B2	4/2003	Espinose et al.	8,382,193 B2	2/2013	Ezaka	
6,551,540 B1	4/2003	Porter	D688,611 S *	8/2013	Liao .....	D12/190
6,557,927 B2	5/2003	Kanie	D688,612 S *	8/2013	Liao .....	D12/190
D478,303 S	8/2003	Iverson et al.	D695,171 S	12/2013	Riggs et al.	
D478,538 S	8/2003	Iverson et al.	D699,169 S	2/2014	Waclawski et al.	
D482,992 S	12/2003	Hattori et al.	8,651,554 B1	2/2014	Patelczyk et al.	
D483,312 S	12/2003	Saleen	D704,614 S	5/2014	Larson	
6,682,126 B2	1/2004	Kanie	D707,164 S	6/2014	Lee	
D488,751 S	4/2004	Szczesny	D712,324 S *	9/2014	McFarlin .....	D12/181
6,722,730 B2	4/2004	Lydan et al.	8,998,290 B2	4/2015	Serentill et al.	
D490,176 S	5/2004	Lin	9,121,426 B2	9/2015	Jagoda	
6,736,353 B1	5/2004	Erben	D744,385 S *	12/2015	Harriton .....	D12/169
D491,858 S	6/2004	Velazco	9,302,639 B2	4/2016	Patelczyk	
6,752,446 B2	6/2004	Espinose et al.	D762,147 S	7/2016	Messale et al.	
6,805,389 B1	10/2004	Schellenberg	D765,569 S	9/2016	Hall et al.	
6,810,950 B1	11/2004	Manze, III	D778,795 S *	2/2017	Johns .....	D12/184
6,830,119 B2	12/2004	Whitworth	9,616,945 B1	4/2017	Henderson et al.	
6,854,545 B1	2/2005	Elwell	9,630,481 B2	4/2017	Rose et al.	
6,910,316 B2	6/2005	Espinose et al.	9,650,005 B2	5/2017	Patelczyk et al.	
6,959,948 B2	11/2005	Varnhagen et al.	D792,822 S	7/2017	Platto et al.	
D516,481 S	3/2006	Metros et al.	D795,767 S	8/2017	Platto et al.	
D517,965 S	3/2006	Metros et al.	D795,768 S	8/2017	Platto et al.	
7,028,797 B2	4/2006	White	D801,896 S	11/2017	Ito et al.	
7,029,051 B2	4/2006	Espinose et al.	9,834,161 B2	12/2017	Mettler	
7,036,873 B2	5/2006	Pommeret et al.	9,878,600 B2	1/2018	Rose et al.	
7,044,524 B2	5/2006	Luetze et al.	D814,354 S *	4/2018	Fisker .....	D12/91
D522,427 S	6/2006	Beigel et al.	10,081,322 B2	9/2018	Patelczyk et al.	
7,114,749 B2	10/2006	Ward	10,166,844 B2	1/2019	Rose et al.	
7,131,683 B1	11/2006	Gong	D839,806 S *	2/2019	Chi .....	D12/184
D533,810 S	12/2006	Metsugi et al.	D841,549 S	2/2019	Hopkins	
D533,820 S	12/2006	Sonoda et al.	10,266,038 B2	4/2019	Serentill et al.	
7,144,075 B2	12/2006	Shishikura	D851,001 S	6/2019	Guo	
7,156,452 B2	1/2007	Schumacher et al.	D855,519 S *	8/2019	Bundy .....	D12/184
7,166,350 B2	1/2007	Murayama	D856,878 S	8/2019	Harriton et al.	
D536,809 S	2/2007	James	D857,571 S	8/2019	Harriton et al.	
7,172,240 B1	2/2007	Kaufman	D858,385 S	9/2019	Phillips	
D539,710 S	4/2007	Kouyama	D860,082 S	9/2019	Poyorena et al.	
7,204,543 B2	4/2007	Mishimaji	D860,083 S	9/2019	Poyorena et al.	
7,222,884 B2	5/2007	Callan et al.	D861,561 S *	10/2019	Mallicote .....	D12/184
D545,253 S	6/2007	Jones	D863,159 S *	10/2019	Goodrich .....	D12/184
7,232,246 B2	6/2007	Kleber et al.	D867,245 S	11/2019	Ito et al.	
D546,935 S	7/2007	Arrowood	D870,620 S	12/2019	Hallgren	
7,246,842 B2	7/2007	Yamada	D875,006 S *	2/2020	DiCanzio .....	D12/184
D548,660 S	8/2007	Jenkins	10,611,215 B2	4/2020	Rose et al.	
			10,625,696 B2	4/2020	Crismon	
			D883,156 S	5/2020	Joudo	
			10,647,280 B2	5/2020	Patelczyk et al.	
			10,675,953 B2	6/2020	Serentill et al.	

(56)

References Cited

U.S. PATENT DOCUMENTS

2001/0040383	A1	11/2001	Lund et al.	
2002/0079716	A1	6/2002	Espinose	
2002/0158460	A1	10/2002	Logan	
2003/0178879	A1	9/2003	Uramichi	
2003/0184113	A1	10/2003	Espinose et al.	
2004/0006855	A1	1/2004	Kinzel	
2004/0140664	A1	7/2004	Ward	
2004/0189037	A1	9/2004	Espinose et al.	
2005/0204703	A1	9/2005	Espinose et al.	
2005/0217911	A1	10/2005	Cheng	
2005/0275212	A1	12/2005	Angelaitis	
2006/0181088	A1	8/2006	Cobble et al.	
2006/0226678	A1	10/2006	Chang	
2008/0001390	A1	1/2008	Iverson	
2008/0217958	A1	9/2008	Banry et al.	
2008/0311349	A1	12/2008	Johnson	
2010/0007169	A1	1/2010	Nguyen	
2012/0073767	A1	3/2012	Graziano	
2012/0144648	A1	6/2012	Iwamoto	
2014/0125046	A1	5/2014	Yen	
2016/0001640	A1	1/2016	Serentill et al.	
2016/0144902	A1	5/2016	Avalos Sartorio et al.	
2016/0280278	A1	9/2016	Jaynes	
2016/0280281	A1	9/2016	Dyck et al.	
2017/0021786	A1	1/2017	Lee	
2018/0257460	A1	9/2018	Serentill	
2018/0272961	A1	9/2018	Gust	
2019/0126991	A1	5/2019	Wymore et al.	
2019/0233020	A1*	8/2019	Frederick .....	B62D 25/16
2019/0276091	A1	9/2019	Higgs	
2020/0130479	A1	4/2020	Rose	
2020/0130621	A1	4/2020	Gauci	

FOREIGN PATENT DOCUMENTS

CA	2 819 150	10/2019
CN	304219598	* 7/2017
CN	304219599	* 7/2017
CN	304219600	* 7/2017

CN	304292499	* 9/2017
DE	39 32 142	4/1990
DE	38 43 803 A1	7/1990
EP	0 447 640	9/1991
FR	1 067 336 A	6/1954
FR	1 096 819 A	6/1955
FR	1 121 035 A	7/1956
GB	73 47 43 A	8/1955
GB	82 91 54 A	2/1960
GB	2 046 183	11/1980
JP	61-057471	3/1986
JP	63-130479	6/1988
JP	2000-296738 A	10/2000
JP	D1163501	* 1/2003
JP	2013-091427 A	4/2015
JP	2013-147169 A	3/2016

OTHER PUBLICATIONS

Bushwacker, "Bushwacker 10063-07 Jeep Flat Style Fender Flare—Rear Pair," Amazon.com, published Jun. 15, 2010 (retrieved from the internet Sep. 9, 2019). Internet URL:<[https://www.amazon.com/dp/B004BZLA22/ref+psdc\\_15709431\\_t1\\_B003S6GSQI](https://www.amazon.com/dp/B004BZLA22/ref+psdc_15709431_t1_B003S6GSQI)> (Year: 2010).

Bushwacker, "Bushwacker 10064-07 Jeep Flat Style Fender Flare—Rear Pair," Amazon.com, published Jun. 15, 2010 (retrieved from the internet Sep. 9, 2019). Internet URL:<<https://www.amazon.com/Bushwacker-10064-07-Style-Fender-Flare/dp/B003S6GSQI>> (Year:2010).

"Jeep Wrangler JK Snyder Tubular Fender Flares—Textured Black (2007-2018) Review & Install," ExtremeTerrain.com. YouTube, published Jul. 12, 2018 (Retrieved from the Internet Jun. 3, 2020). Internet URL:<[https://www.youtube.com/watch?v=\\_IPiCfdiq4](https://www.youtube.com/watch?v=_IPiCfdiq4)>(Year: 2018).

"JK Rear Crusher Flares," Poison Spyder Customs, published Aug. 16, 2017 (Retrieved from the Internet Jun. 3, 2020). Internet URL:<[https://web.archive.org/web/20170816033721/https://shop.poisonspyder.com/JK-Rear\\_Crusher-Flares-Extra-Wide-Steel-p/17-05-020.htm](https://web.archive.org/web/20170816033721/https://shop.poisonspyder.com/JK-Rear_Crusher-Flares-Extra-Wide-Steel-p/17-05-020.htm)>(Year: 2017).

\* cited by examiner

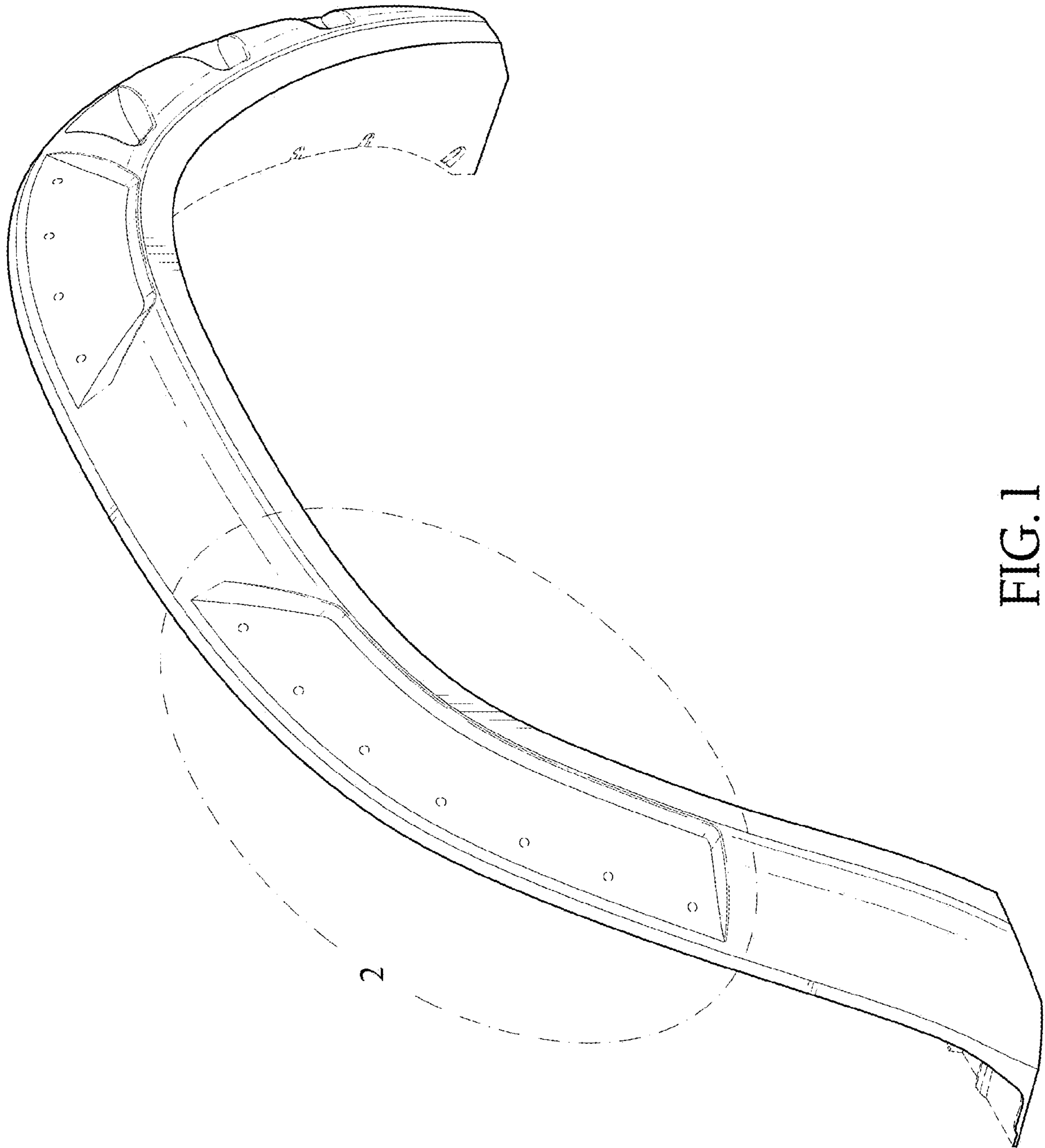


FIG. 1

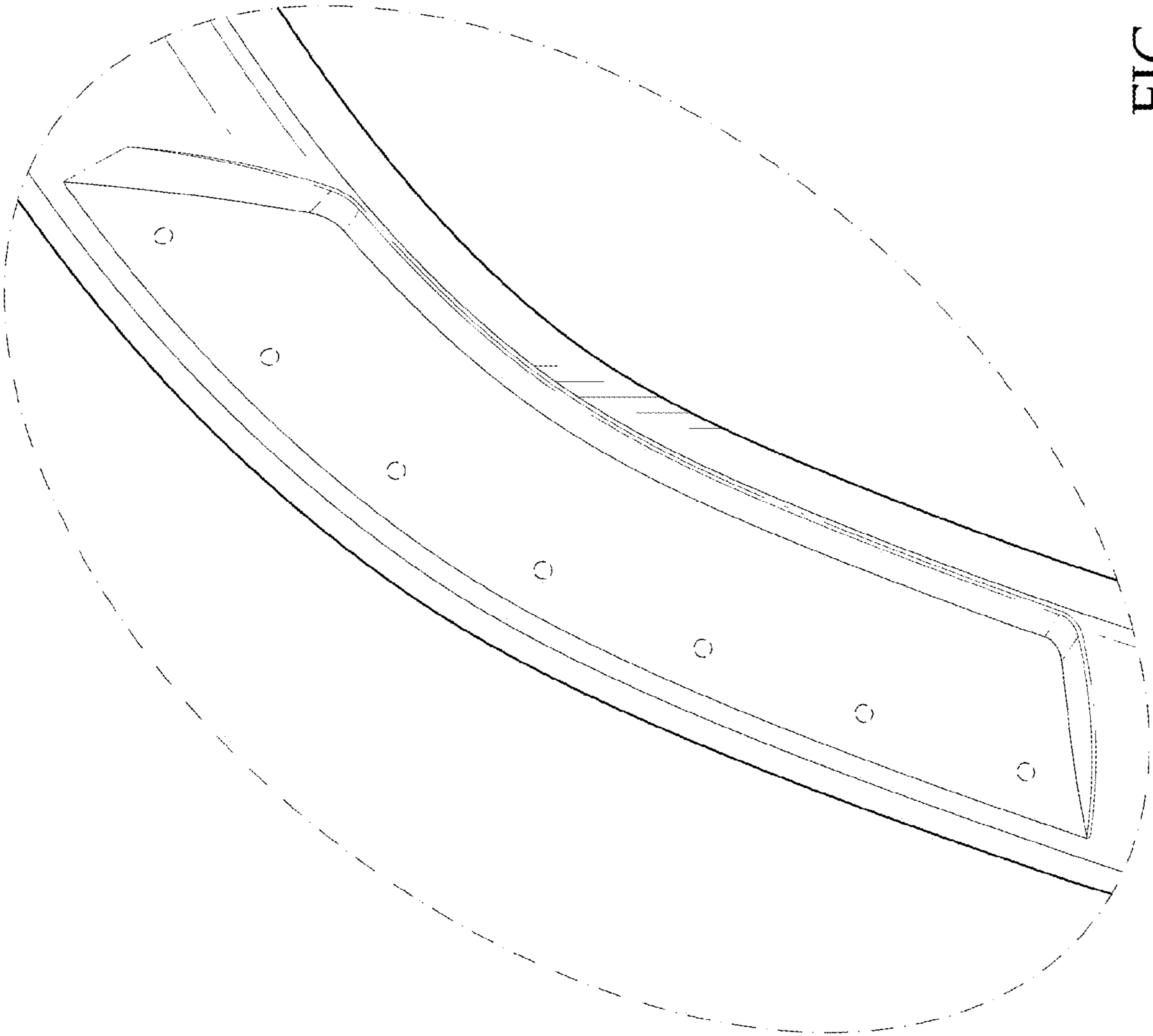


FIG. 2

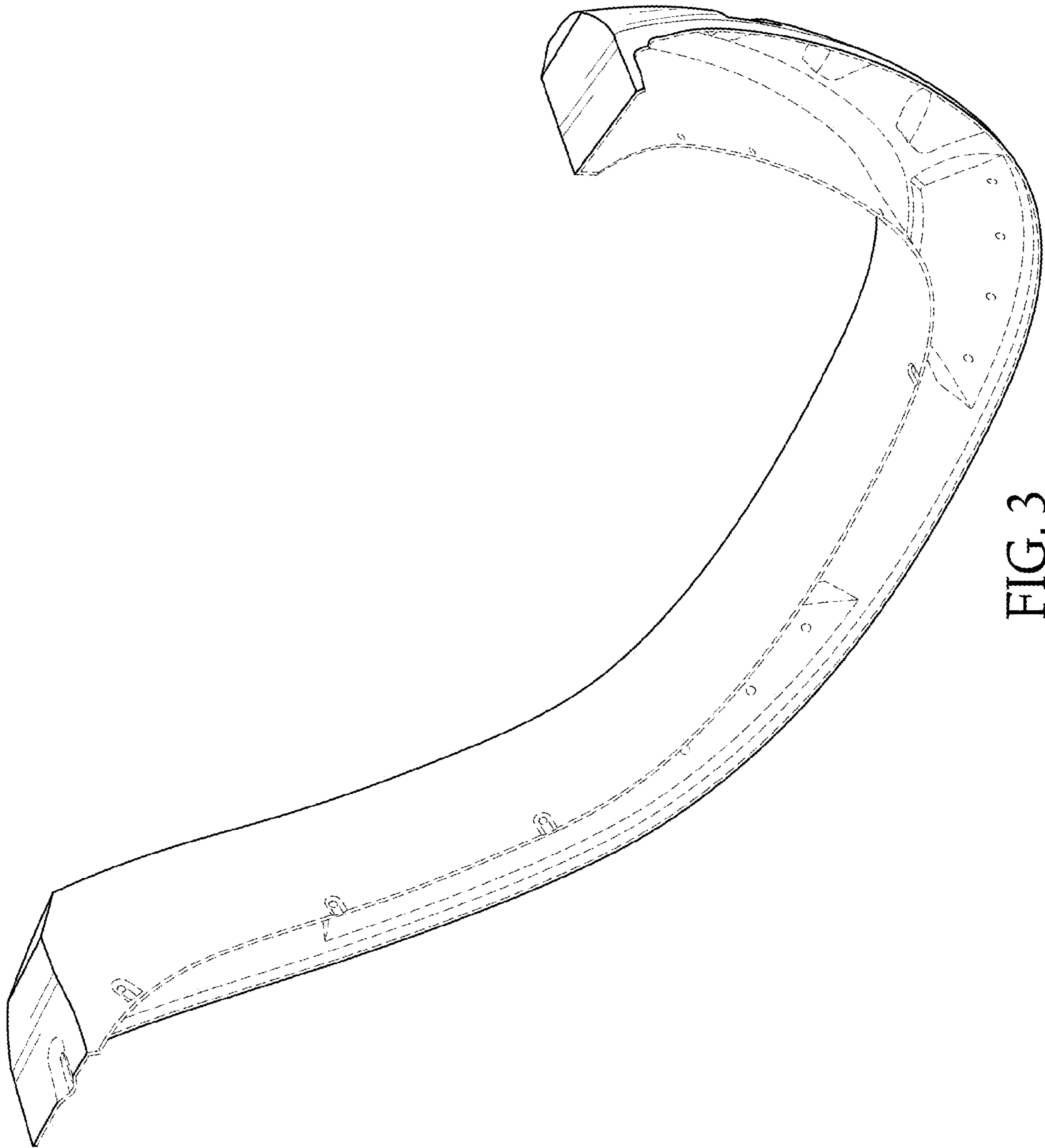


FIG. 3

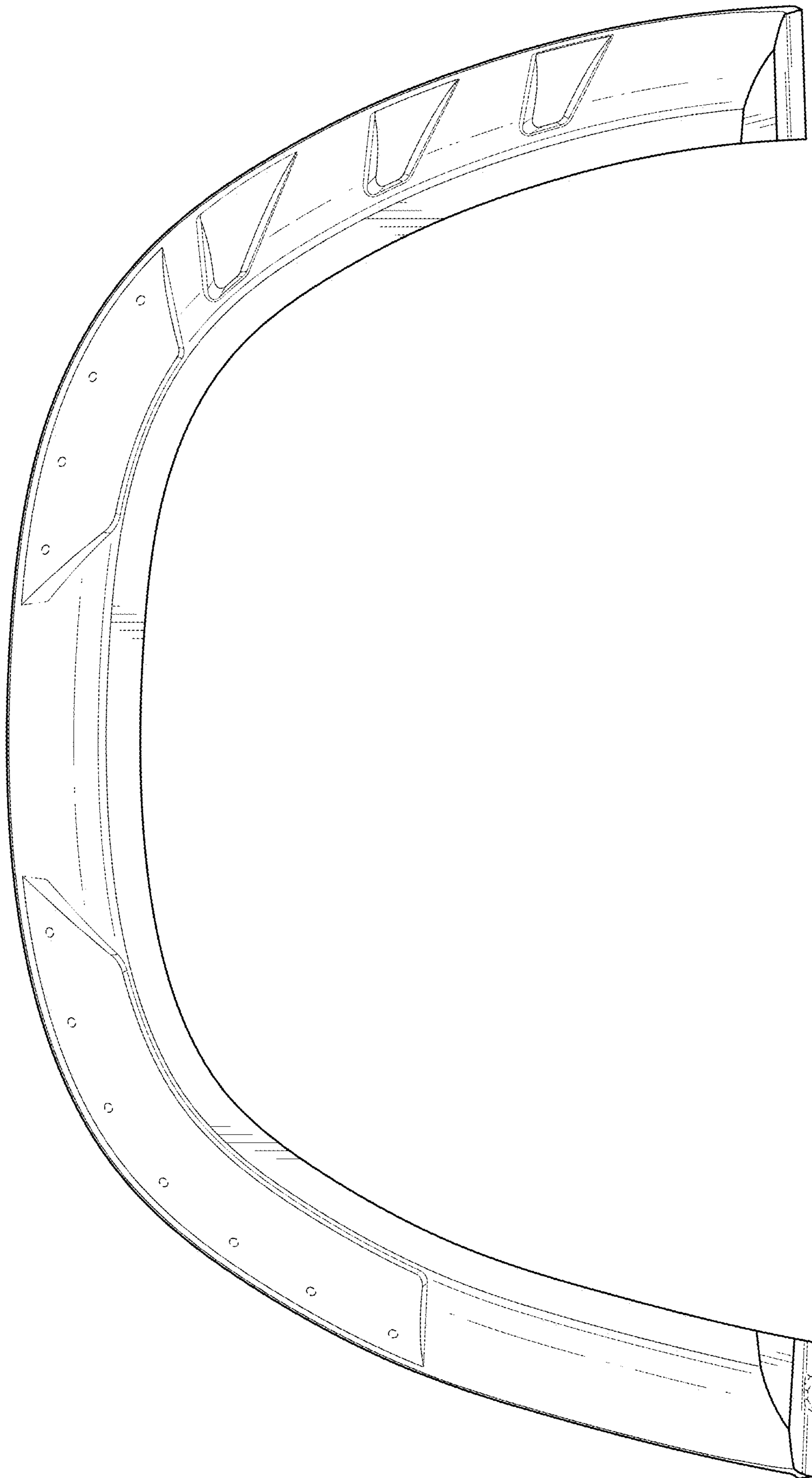


FIG. 4



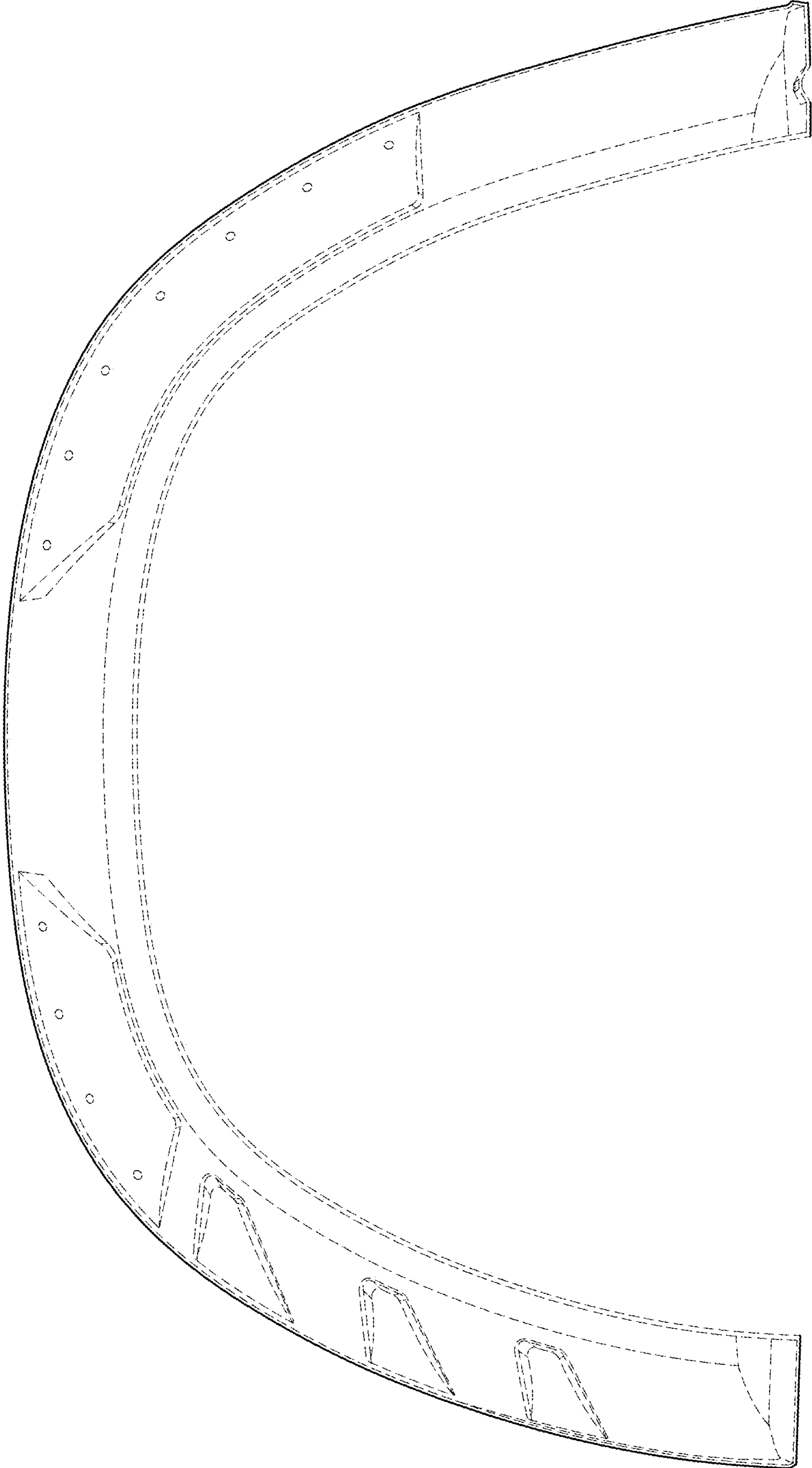


FIG. 5

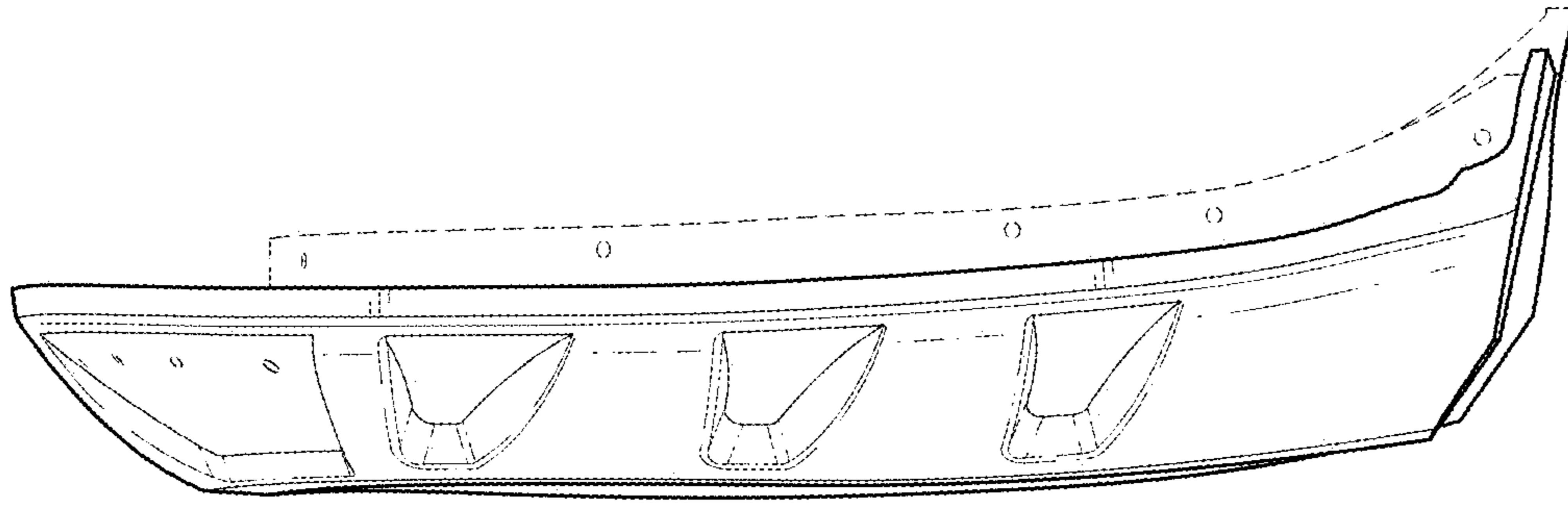


FIG. 6

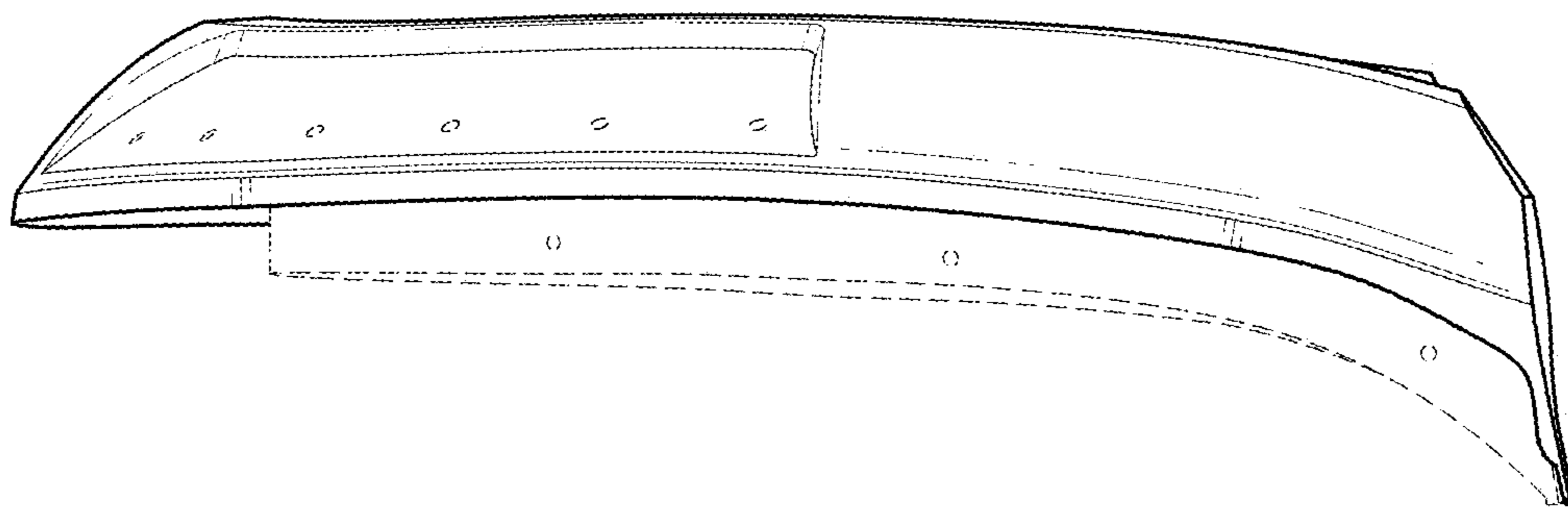


FIG. 7

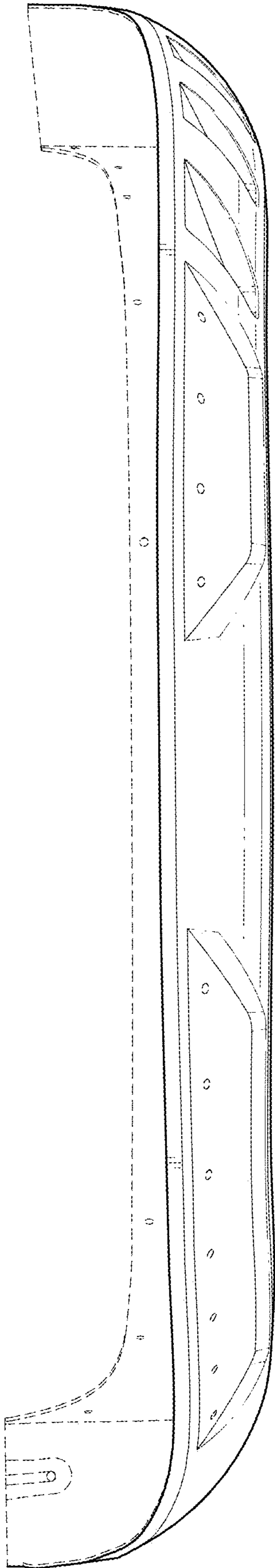


FIG. 8

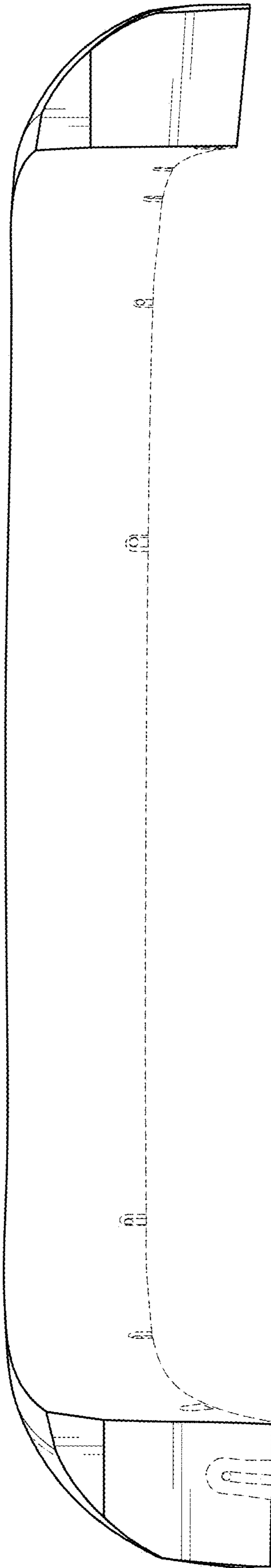


FIG. 9

UNITED STATES PATENT AND TRADEMARK OFFICE  
**CERTIFICATE OF CORRECTION**

PATENT NO. : D906,202 S  
APPLICATION NO. : 29/668034  
DATED : December 29, 2020  
INVENTOR(S) : William Franklin Bibb, VI

Page 1 of 1

It is certified that error appears in the above-identified patent and that said Letters Patent is hereby corrected as shown below:

On the Title Page

On Page 4, Column 2, Item (56), Line 14, Foreign Patent Documents, below "D1163501 1/2003"  
insert --JP 2010-149758 A 7/2010--.

On Page 4, Column 2, Item (56), under Other Publications, Line 12, delete "(Retreived"  
--(Retrieved--.

Signed and Sealed this  
Second Day of March, 2021



Drew Hirshfeld  
*Performing the Functions and Duties of the  
Under Secretary of Commerce for Intellectual Property and  
Director of the United States Patent and Trademark Office*