



US00D906196S

(12) **United States Design Patent** (10) **Patent No.:** **US D906,196 S**
von Holzhausen (45) **Date of Patent:** **** Dec. 29, 2020**

(54) **VEHICLE HOOD WITH FENDER**
(71) Applicant: **TESLA, INC.**, Palo Alto, CA (US)
(72) Inventor: **Franz von Holzhausen**, Malibu, CA (US)
(73) Assignee: **Tesla, Inc.**, Palo Alto, CA (US)
(**) Term: **15 Years**
(21) Appl. No.: **29/670,416**
(22) Filed: **Nov. 15, 2018**
(51) **LOC (12) Cl.** **12-16**
(52) **U.S. Cl.**
USPC **D12/173**
(58) **Field of Classification Search**
USPC D12/86, 90-92, 164, 173, 196
CPC ... B60R 21/34; B60R 2021/343; B62D 25/06;
B62D 25/10; B62D 25/12; B62D 65/02;
B60Q 1/00
See application file for complete search history.

D839,801 S * 2/2019 Lucas D12/173
D841,541 S * 2/2019 Krieg D12/173
D842,778 S * 3/2019 Buckingham D12/173
D843,280 S * 3/2019 Thurber D12/173
D855,515 S * 8/2019 Riggs D12/173
(Continued)

FOREIGN PATENT DOCUMENTS

WO D073504-001 * 9/2010

OTHER PUBLICATIONS

Tesla Roadster <https://www.tesla.com/roadster> Available Nov. 19, 2017 (Year: 2017).*

Primary Examiner — Leanne Was-Englehart
(74) *Attorney, Agent, or Firm* — Knobbe, Martens, Olson & Bear, LLP

(57) **CLAIM**

The ornamental design for a vehicle hood with fender, as shown and described.

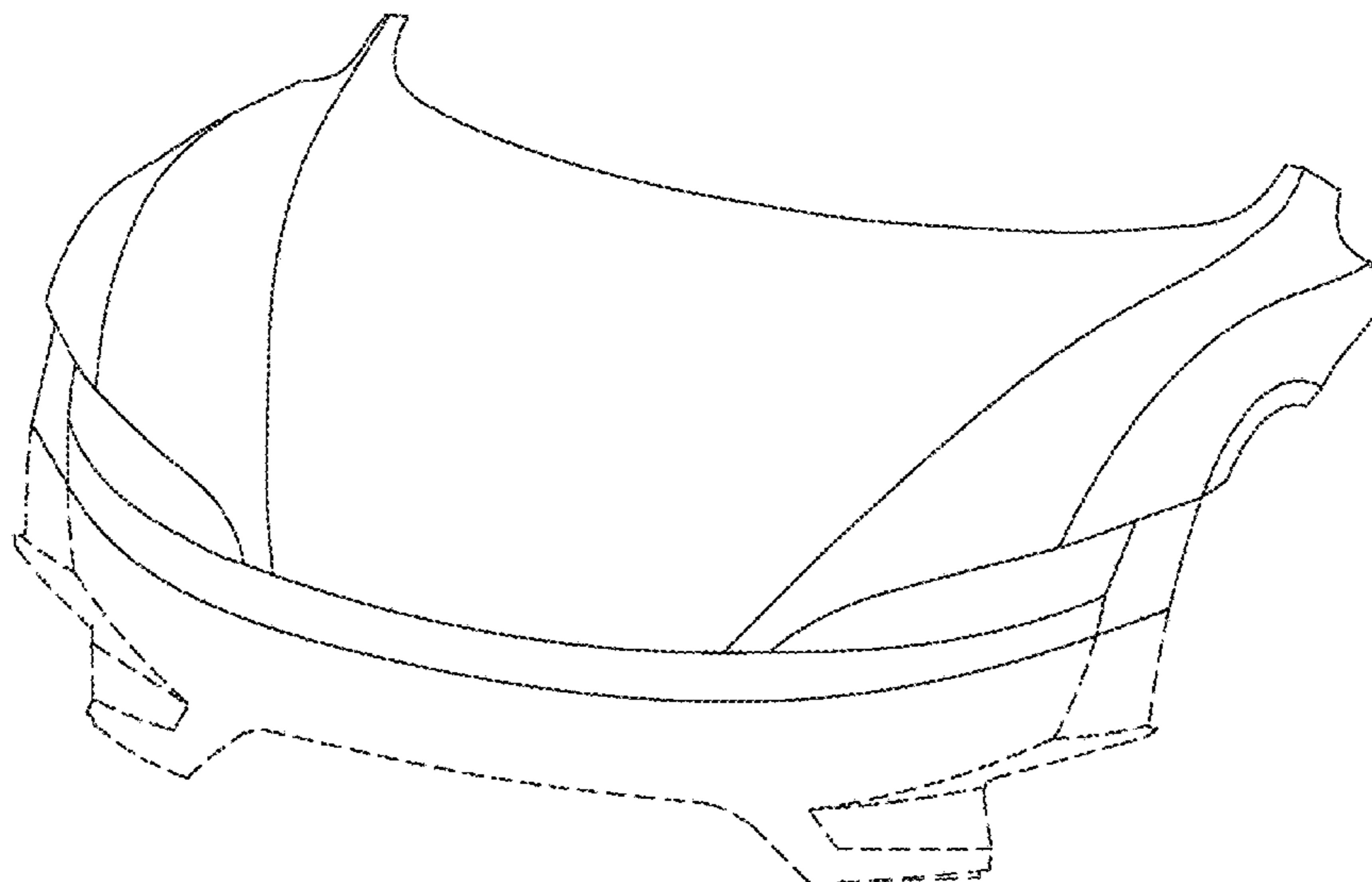
DESCRIPTION

FIG. 1 is a back view of a vehicle hood with fender.
FIG. 2 is a bottom view of the vehicle hood with fender of FIG. 1.
FIG. 3 is a front view of the vehicle hood with fender of FIG. 1.
FIG. 4 is an isometric view of the vehicle hood with fender of FIG. 1.
FIG. 5 is a left-side view of the vehicle hood with fender of FIG. 1.
FIG. 6 is a right-side view of the vehicle hood with fender of FIG. 1; and,
FIG. 7 is a top view of the vehicle hood with fender of FIG. 1.
The items shown with broken lines form no part of the claimed design.

1 Claim, 7 Drawing Sheets

(56) **References Cited**
U.S. PATENT DOCUMENTS

D421,587 S * 3/2000 Horbury D12/173
D541,198 S * 4/2007 Levy D12/173
D592,555 S * 5/2009 Kanno D12/92
D620,852 S * 8/2010 Froehlich D12/173
D622,190 S * 8/2010 Kanno D12/164
D622,191 S * 8/2010 Yagi D12/164
D622,644 S * 8/2010 Koyama D12/164
D639,216 S * 6/2011 Faghihzadeh D12/173
D651,948 S * 1/2012 Fukui D12/164
D661,637 S * 6/2012 Tomatsu D12/164
D683,287 S * 5/2013 Yoshida D12/173
D691,935 S * 10/2013 Kwon D12/196
D703,114 S * 4/2014 Cartabiano D12/164
D790,415 S * 6/2017 Woolley D12/173
D807,790 S * 1/2018 Shim D12/92
D818,905 S * 5/2018 Beermann D12/173
D823,199 S * 7/2018 Al Attar D12/173
D824,824 S * 8/2018 Kim D12/173



(56)

References Cited

U.S. PATENT DOCUMENTS

D863,153 S * 10/2019 Woodhouse D12/173
D864,060 S * 10/2019 Woodhouse D12/173
D867,944 S * 11/2019 Smith D12/173
D876,296 S * 2/2020 Toriyama D12/173

* cited by examiner

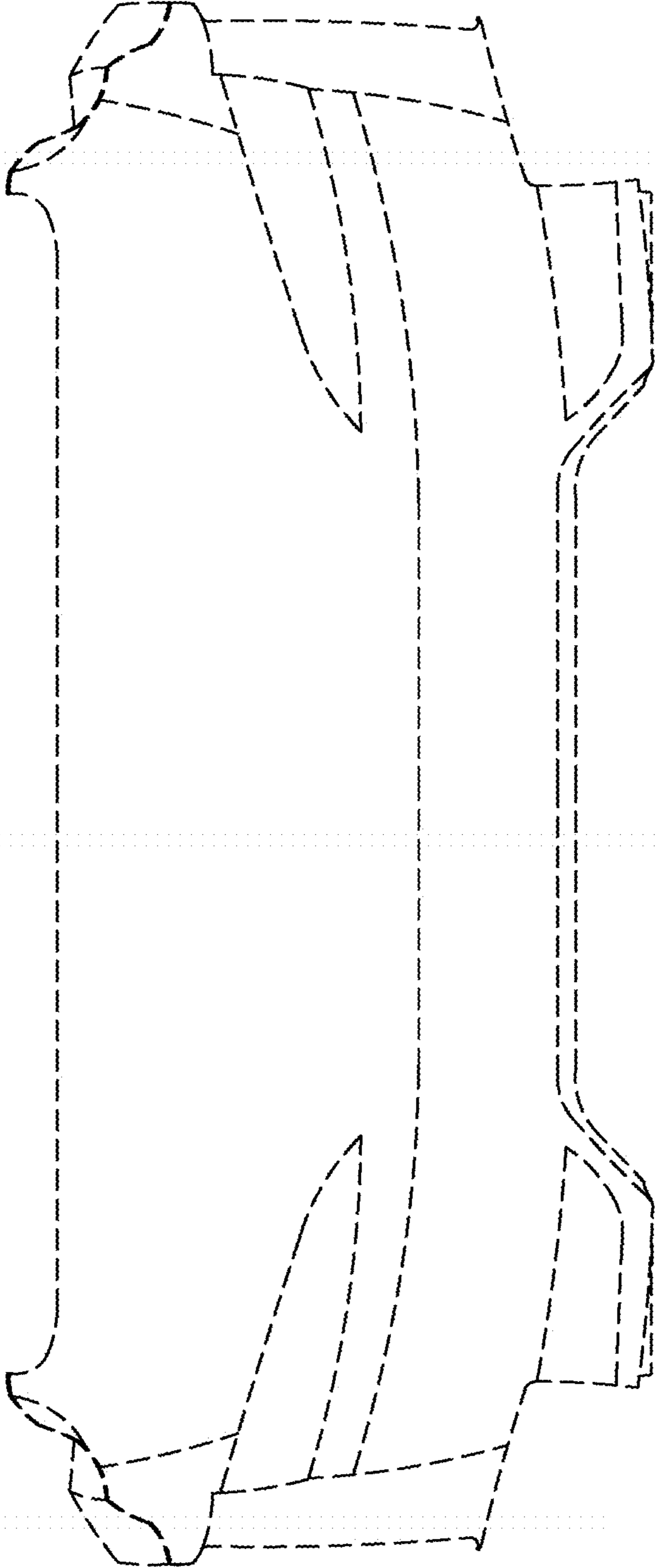


FIG. 1

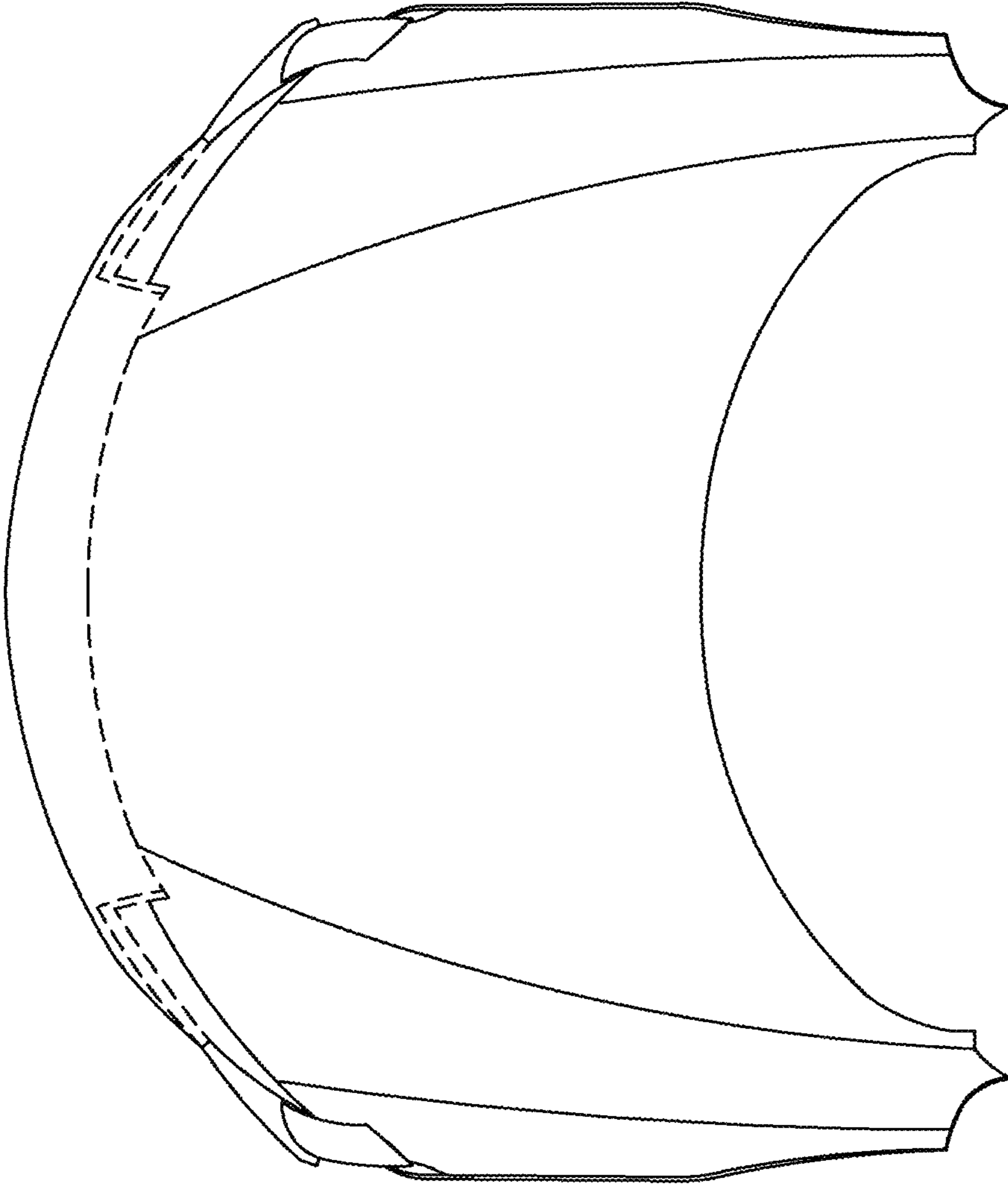


FIG. 2

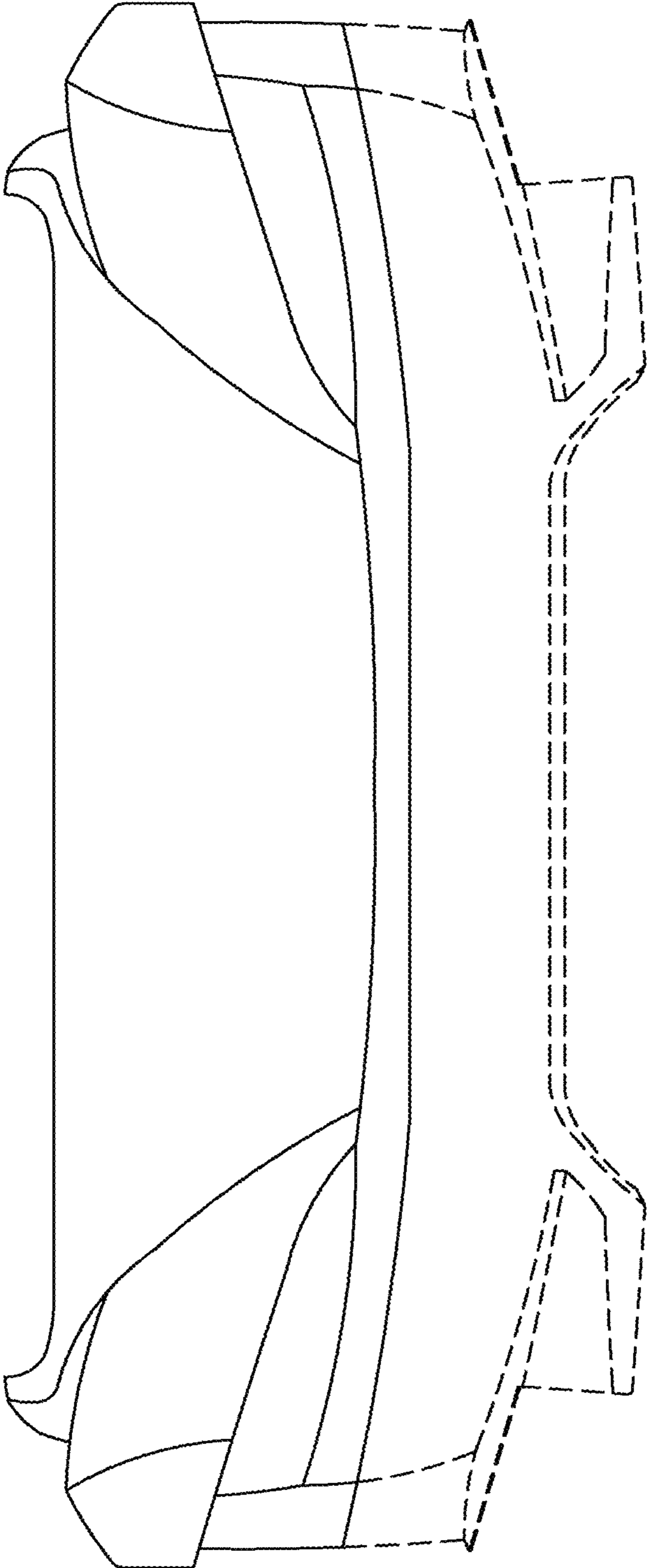


FIG. 3

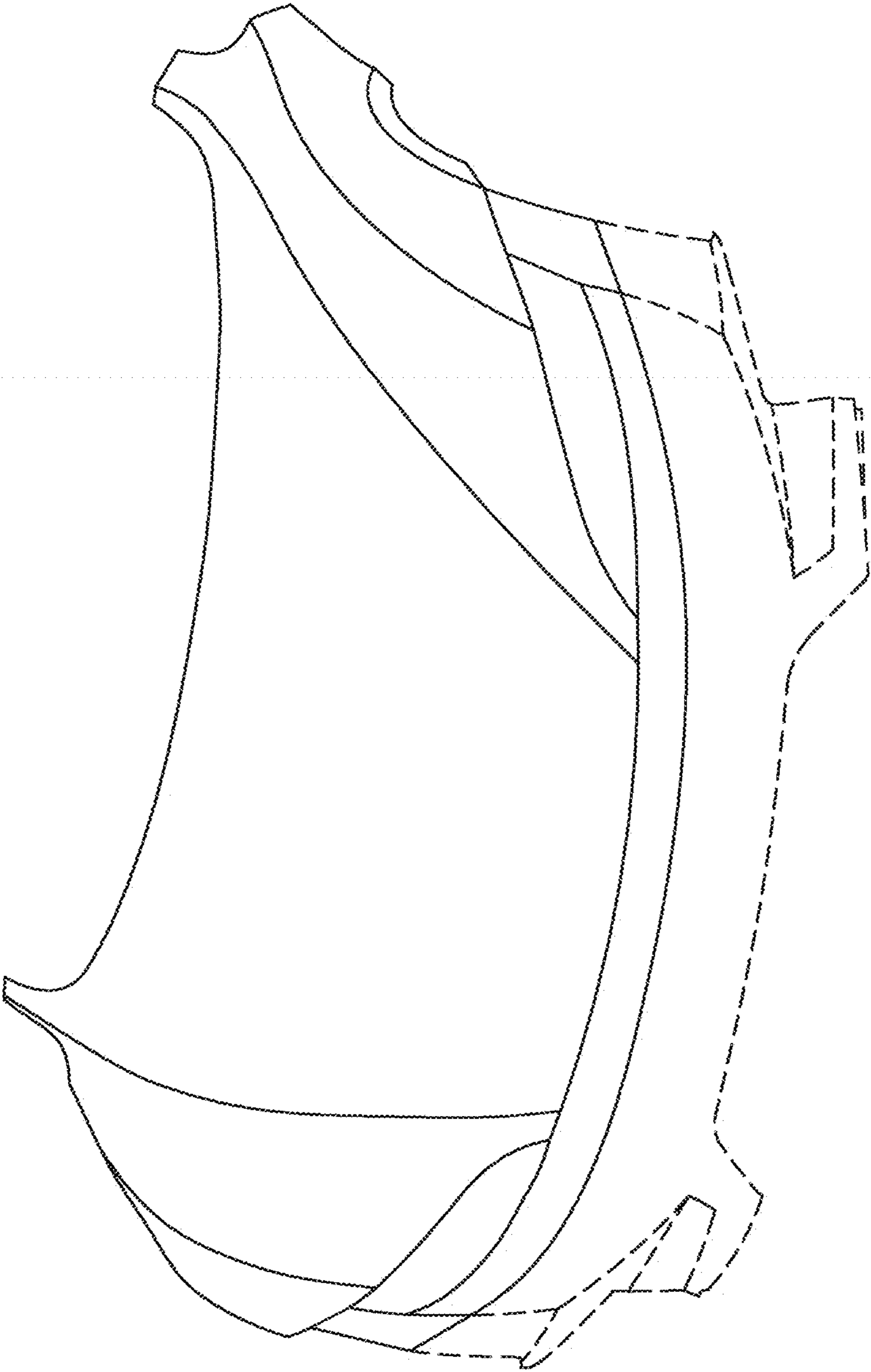


FIG. 4

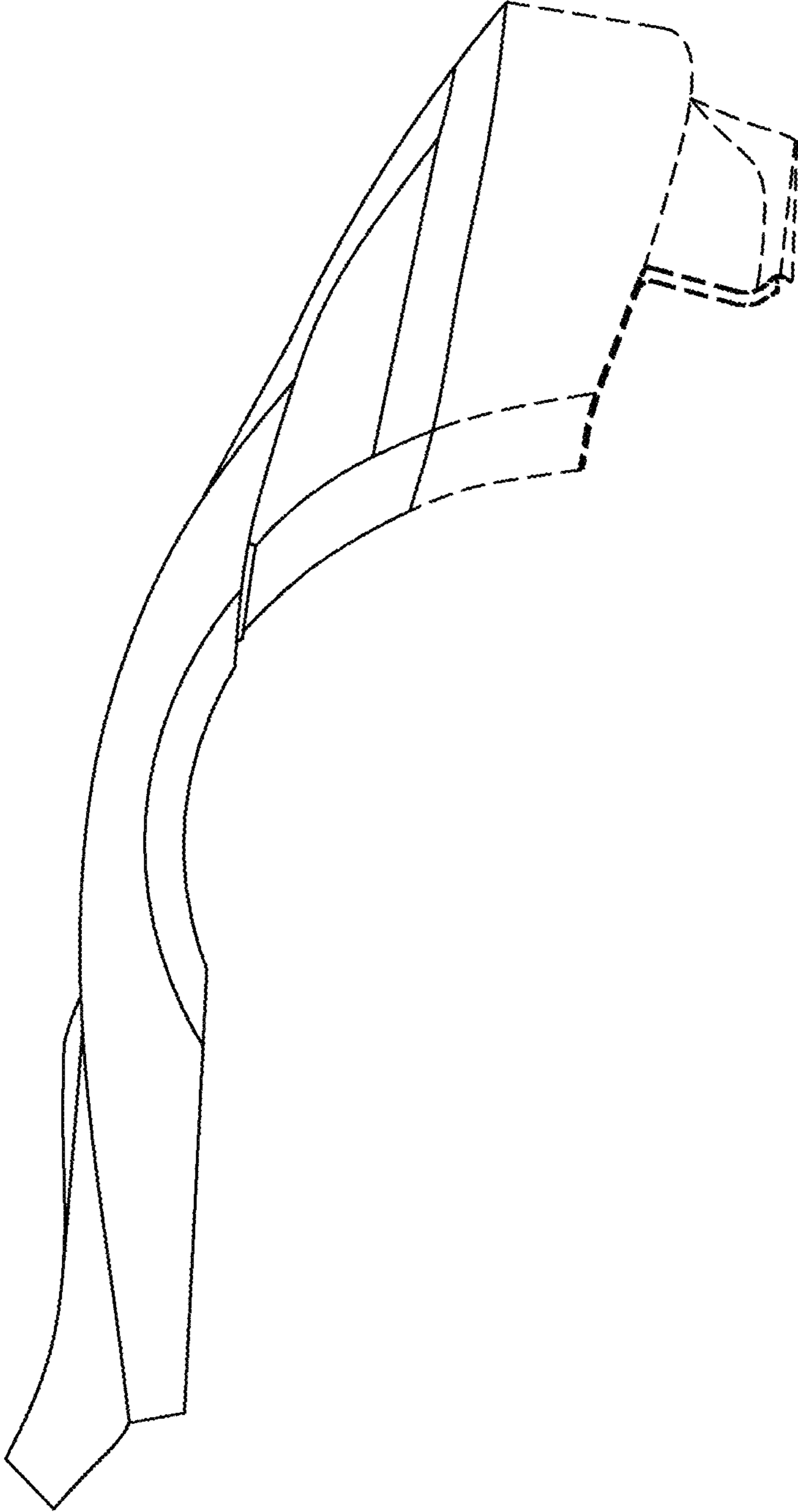


FIG. 5

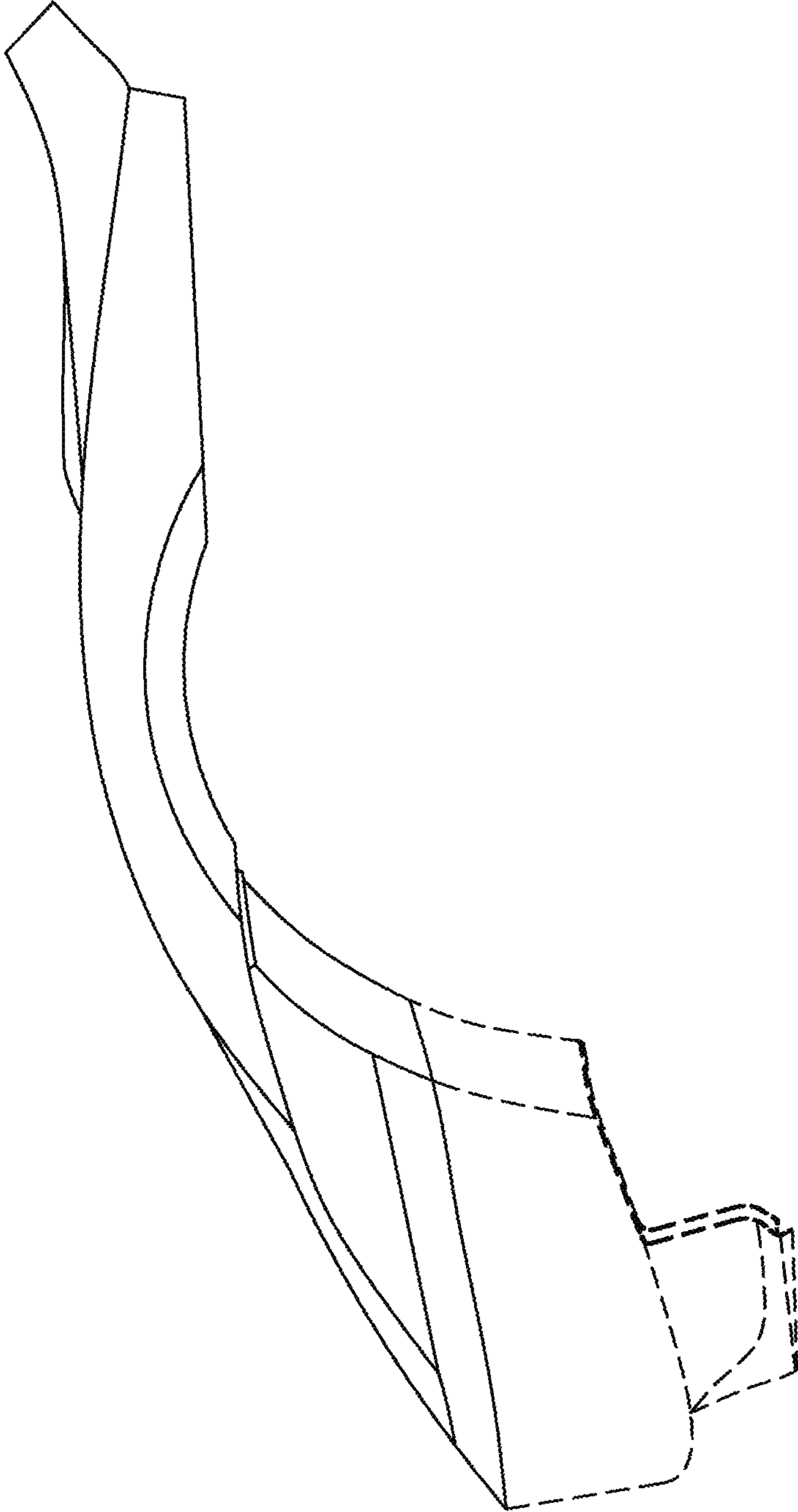


FIG. 6

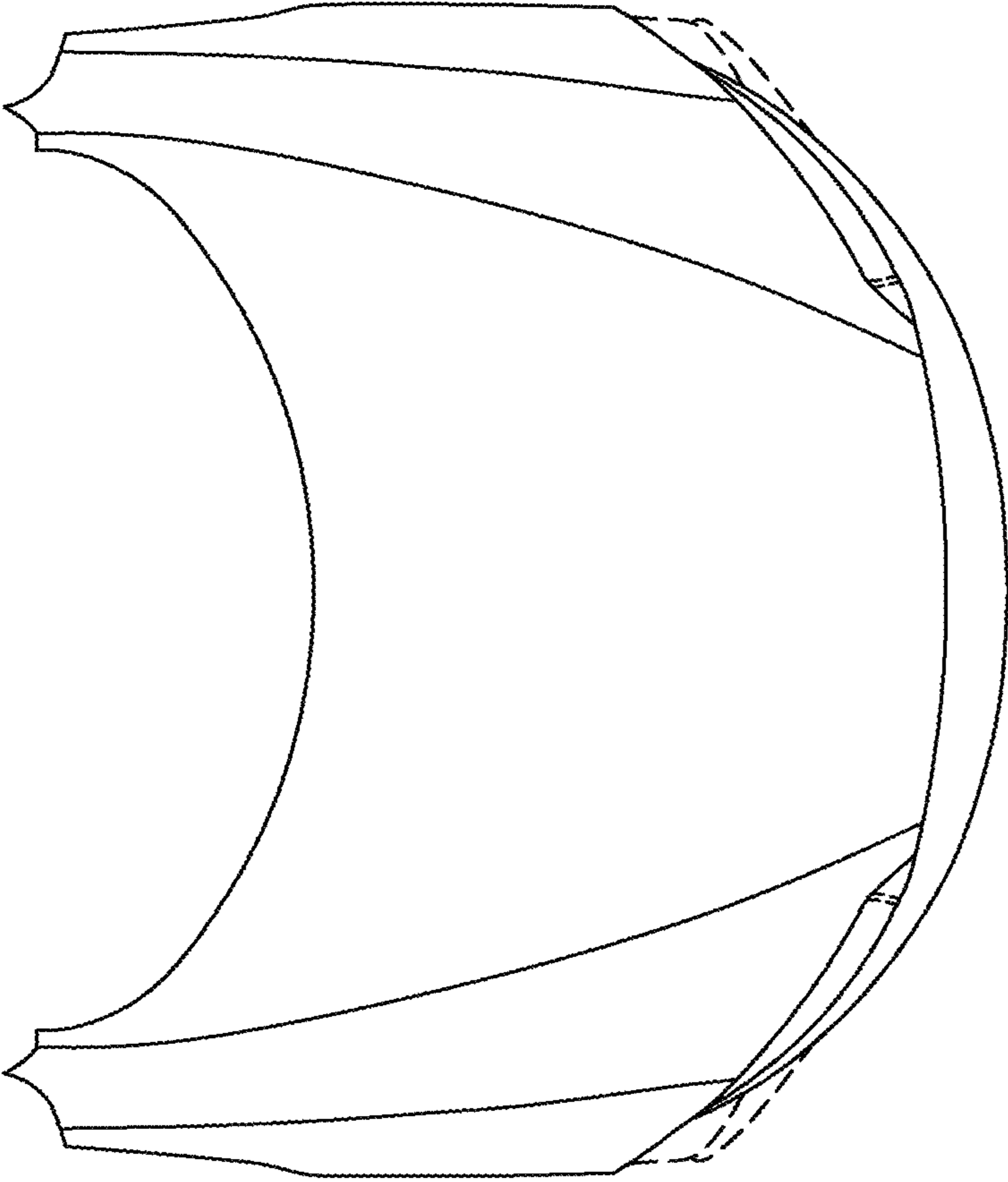


FIG. 7