



US00D906195S

(12) **United States Design Patent** (10) **Patent No.:** **US D906,195 S**
Bischoff et al. (45) **Date of Patent:** **** Dec. 29, 2020**

(54) **VEHICLE BODY PART**
(71) Applicant: **VOLKSWAGEN AKTIENGESELLSCHAFT, Wolfsburg (DE)**
(72) Inventors: **Klaus Bischoff, Wolfsburg (DE); Frank Josef Brüse, Wolfsburg (DE)**
(73) Assignee: **VOLKSWAGEN AKTIENGESELLSCHAFT, Wolfsburg (DE)**
(**) Term: **15 Years**

D726,602 S * 4/2015 Rugar D12/169
D729,707 S * 5/2015 Thole D12/169
D750,539 S * 3/2016 Iwauchi D12/169
D762,532 S * 8/2016 Tsutamori D12/169
D774,428 S * 12/2016 Davidson D12/169
D786,149 S * 5/2017 Pevovar D12/169
D788,657 S * 6/2017 Oohashi D12/169
D792,815 S * 7/2017 Kozub D12/169
D792,816 S * 7/2017 Kozub D12/169
D793,296 S * 8/2017 Smith D12/169
D793,921 S * 8/2017 Takamatsu D12/169
D793,924 S * 8/2017 Sagawa D12/169
D797,019 S * 9/2017 Yamashita D12/169
D797,617 S * 9/2017 Mori D12/169
D797,618 S * 9/2017 Suzuki D12/169
D800,035 S * 10/2017 Takamatsu D12/169

(Continued)

(21) Appl. No.: **29/718,436**
(22) Filed: **Dec. 24, 2019**
(51) **LOC (12) Cl.** **12-16**
(52) **U.S. Cl.**
USPC **D12/169**
(58) **Field of Classification Search**
USPC D12/86, 90, 91, 92, 163, 169, 171, 196,
D12/216; D3/318
CPC B60R 19/02; B60R 19/04; B62D 25/00;
B62D 25/06; B62D 25/08; B62D 35/00
See application file for complete search history.

FOREIGN PATENT DOCUMENTS

WO DM097097 6/2017
Primary Examiner — Susan Bennett Hattan
Assistant Examiner — Suzanne E Tisdell
(74) *Attorney, Agent, or Firm* — Lucas & Mercanti, LLP;
Klaus P. Stoffel

(57) **CLAIM**

The ornamental design for a vehicle body part, as shown and described.

(56) **References Cited**

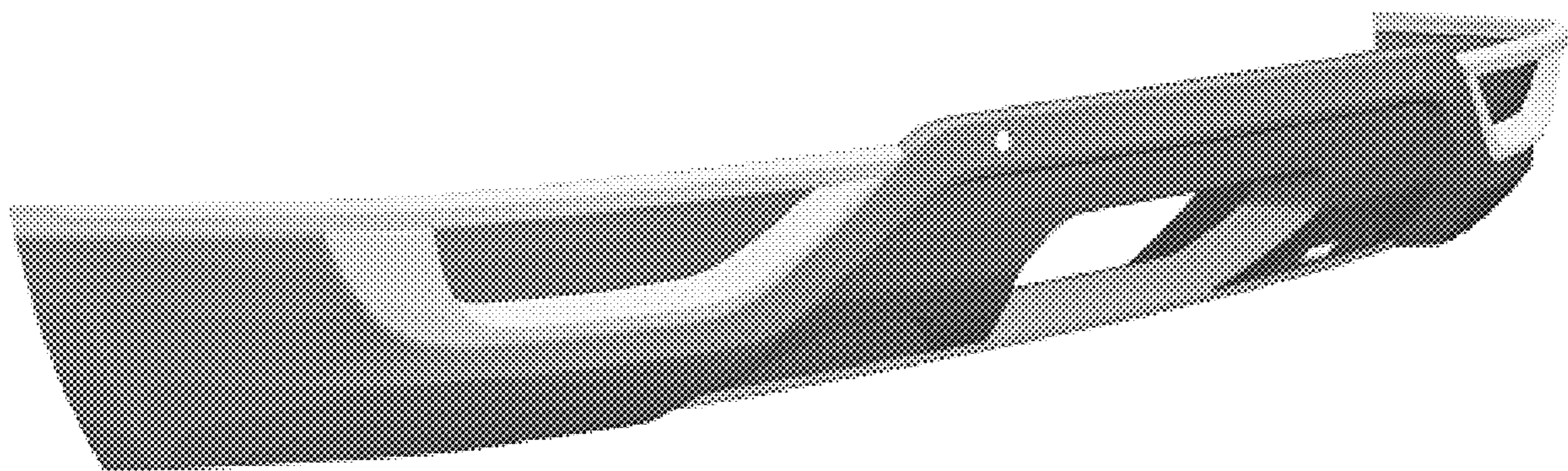
U.S. PATENT DOCUMENTS

D584,199 S * 1/2009 Leclercq D12/169
D598,827 S * 8/2009 Kanai D12/169
D626,042 S * 10/2010 Yamazaki D12/169
D680,479 S * 4/2013 Frei D12/169
D687,752 S * 8/2013 Fetherston D12/169
D688,989 S * 9/2013 Minamisawa D12/169
D702,161 S * 4/2014 Hanaoka D12/169
D712,322 S * 9/2014 Kobayashi D12/169
D721,305 S * 1/2015 George D12/169
D721,306 S * 1/2015 George D12/169
D722,926 S * 2/2015 Kato D12/169
D723,435 S * 3/2015 Thole D12/169

DESCRIPTION

FIG. 1 is a rear and left side perspective view of the vehicle body part of the present invention;
FIG. 2 is a front and left side perspective view thereof;
FIG. 3 is a left side view thereof;
FIG. 4 is a right side view thereof;
FIG. 5 is a bottom view thereof;
FIG. 6 is a top view thereof;
FIG. 7 is a rear view thereof; and,
FIG. 8 is a front view thereof.

1 Claim, 4 Drawing Sheets



(56)

References Cited

U.S. PATENT DOCUMENTS

D800,614 S *	10/2017	Park	D12/169
D803,112 S *	11/2017	Tomita	D12/169
D805,449 S *	12/2017	Chung	D12/169
D807,248 S *	1/2018	Piscitelli	D12/169
D807,250 S *	1/2018	Piscitelli	D12/169
D807,252 S *	1/2018	Piscitelli	D12/169
D807,254 S *	1/2018	Piscitelli	D12/169
D807,257 S *	1/2018	Piscitelli	D12/169
D807,258 S *	1/2018	Patel	D12/169
2006/0249961 A1 *	11/2006	Flotzinger	B60R 19/04 293/115
2006/0290169 A1 *	12/2006	Fukushima	B62D 35/00 296/180.1

* cited by examiner

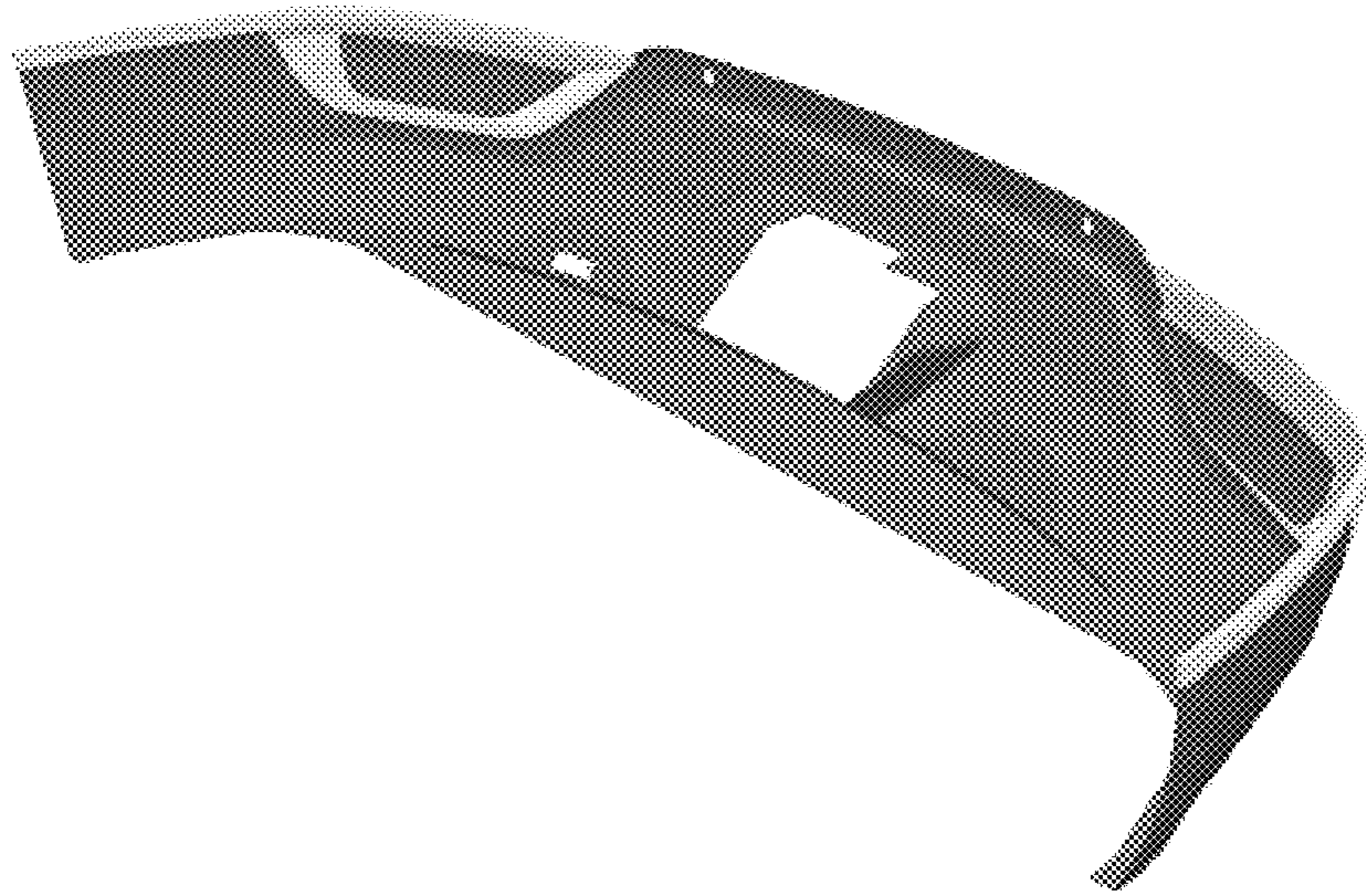


Fig. 1

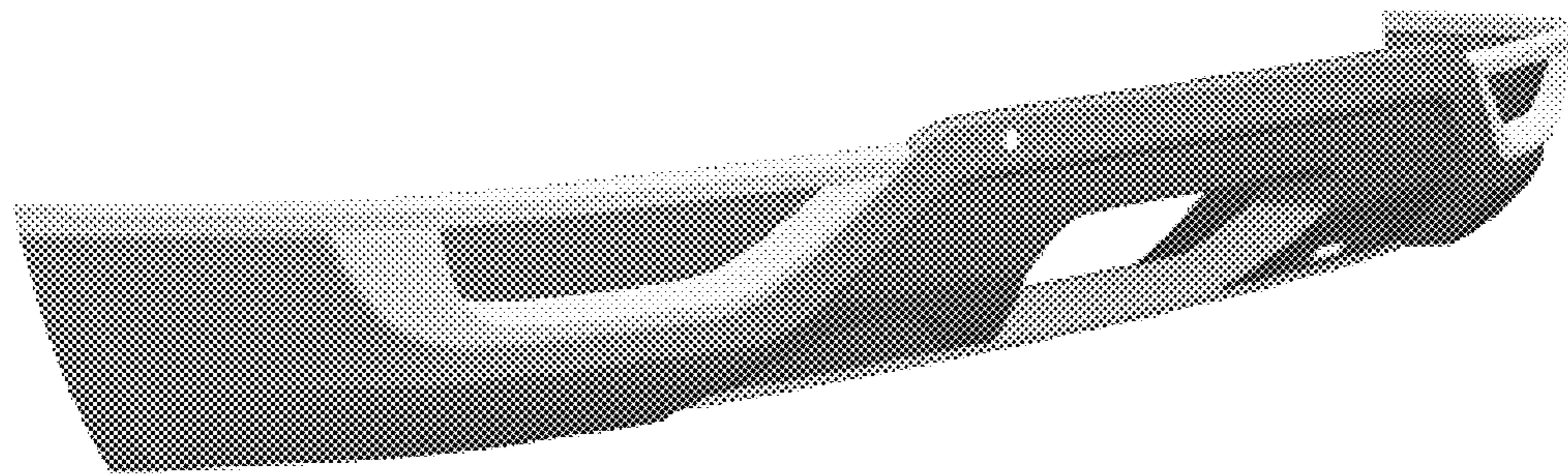


Fig. 2

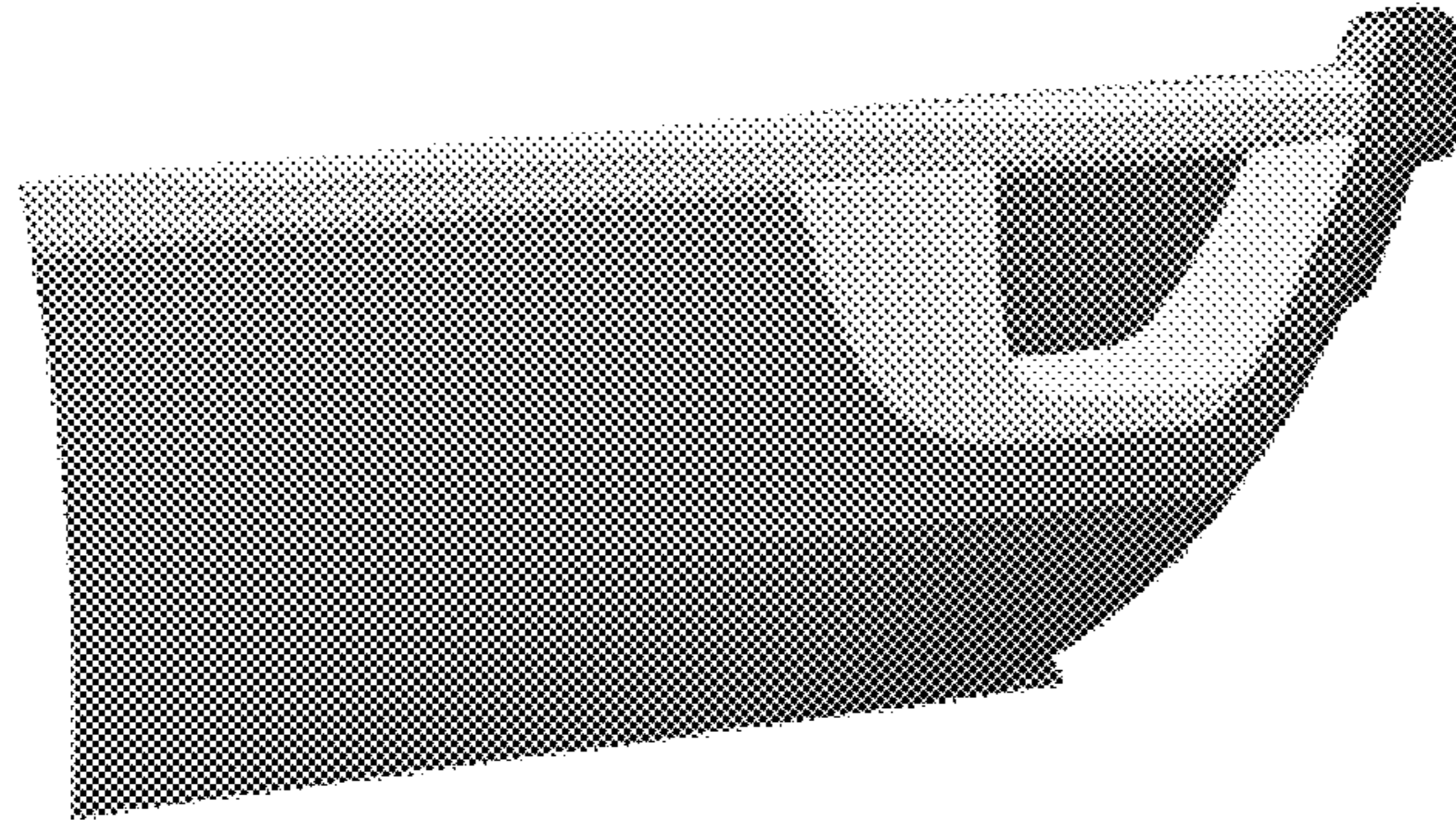


Fig. 3

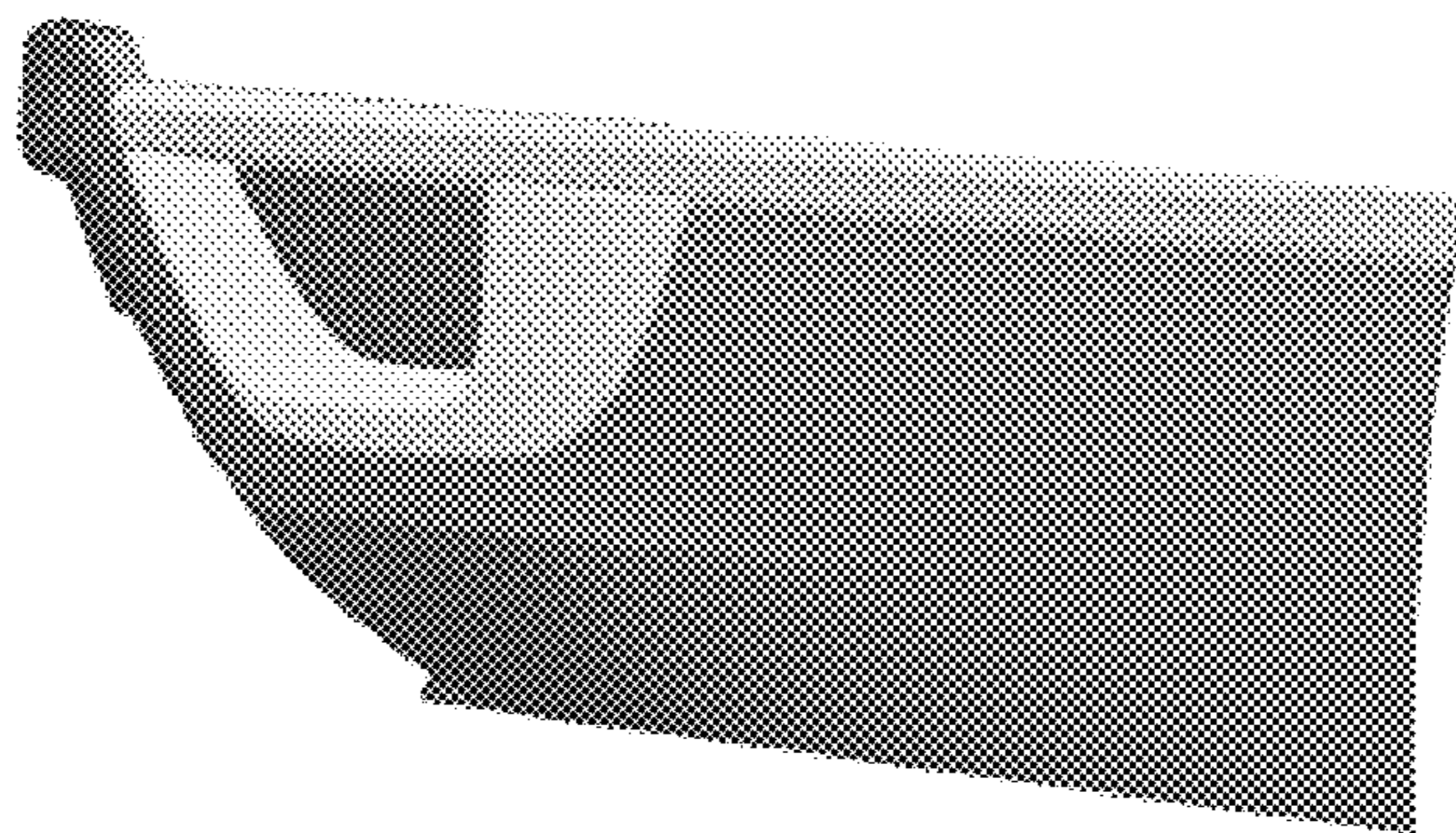


Fig. 4

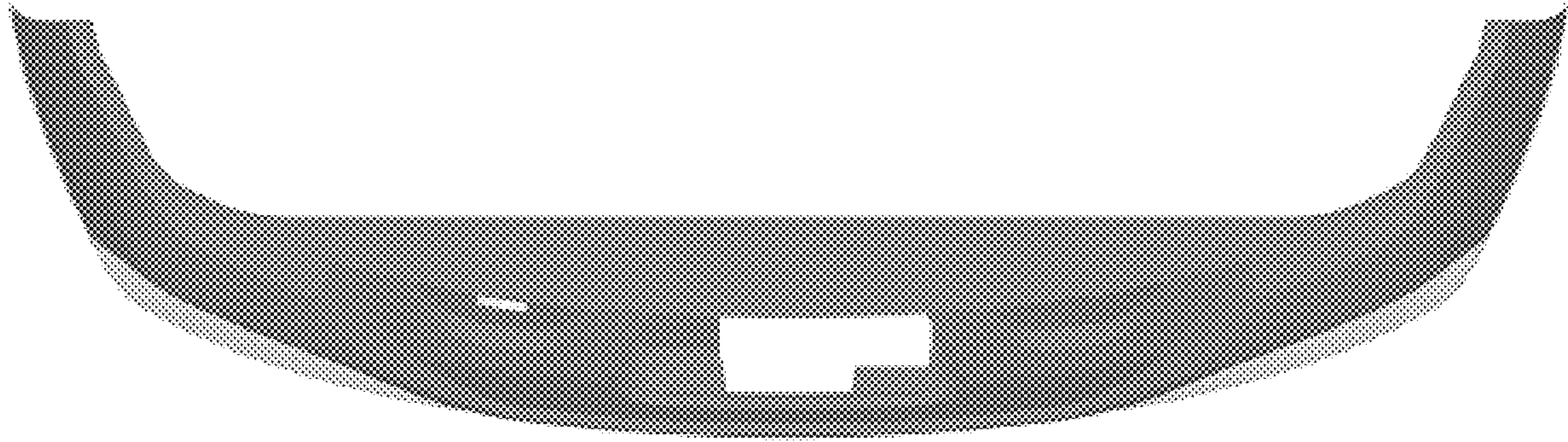


Fig. 5

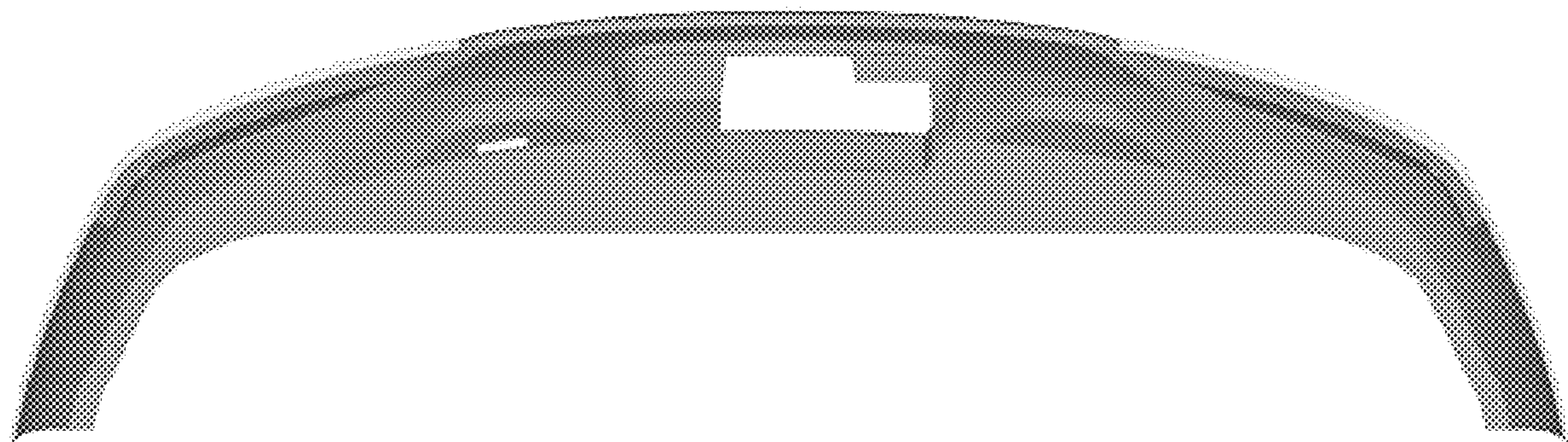


Fig. 6

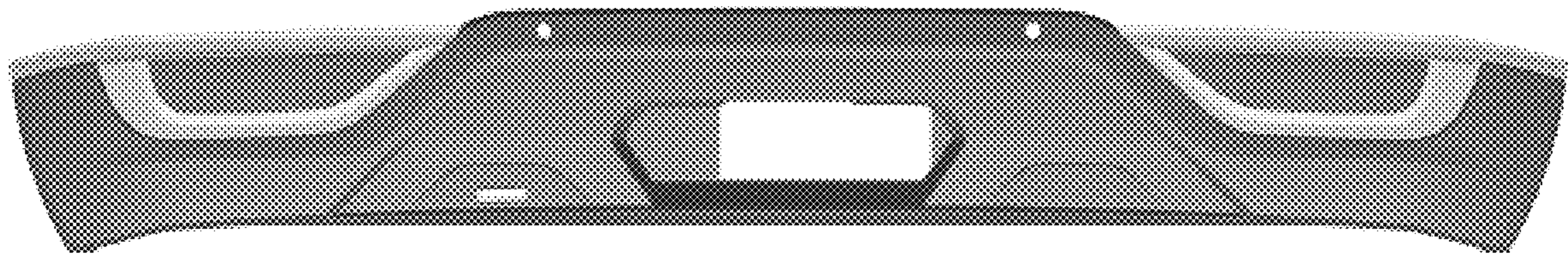


Fig. 7

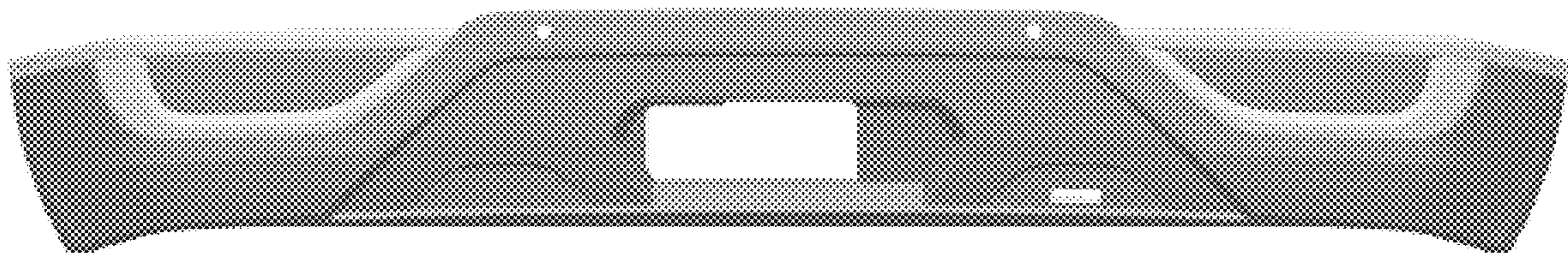


Fig. 8