



US00D906191S

(12) **United States Design Patent**
Han

(10) **Patent No.:** **US D906,191 S**

(45) **Date of Patent:** **** Dec. 29, 2020**

- (54) **VEHICLE FRONT GRILLE**
- (71) Applicant: **SEVEN SPARTA CORP.**, Richardson, TX (US)
- (72) Inventor: **Fei Han**, Shenzhen (CN)
- (**) Term: **15 Years**
- (21) Appl. No.: **29/741,387**
- (22) Filed: **Jul. 13, 2020**
- (51) **LOC (12) Cl.** **12-16**
- (52) **U.S. Cl.**
USPC **D12/163**
- (58) **Field of Classification Search**
USPC D12/86, 90, 91, 92, 163, 169, 196, 171,
D12/216; D15/31
CPC . B60R 19/52; B60R 2019/525; B60K 11/085;
B62D 25/084; H01Q 1/32
See application file for complete search history.

- D853,286 S * 7/2019 Imai D12/163
- D853,900 S * 7/2019 Dewitt D12/163
- D854,976 S * 7/2019 Messale D12/163
- D859,226 S * 9/2019 Grooms D12/163
- D860,073 S * 9/2019 Ninov D12/164
- D868,642 S * 12/2019 DiCanzio D12/163
- D870,606 S 12/2019 Hagler et al.
- D873,726 S * 1/2020 Zipfel D12/163
- D879,675 S * 3/2020 Tonello D12/163
- D879,676 S * 3/2020 Tonello D12/163
- D891,328 S * 7/2020 Williams D12/171
- D891,329 S * 7/2020 Nissl D12/171
- 2018/0186319 A1 * 7/2018 Sertkaya B60R 19/00
- 2018/0250854 A1 * 9/2018 Dellock B29C 45/0001
- 2019/0035264 A1 * 1/2019 Salter G08G 1/166
- 2019/0248274 A1 * 8/2019 Salter B60Q 1/34

* cited by examiner

Primary Examiner — Darlington Ly

(74) *Attorney, Agent, or Firm* — KA Filing LLC; Cynthia W. Flanigan

(57) **CLAIM**

I claim the ornamental design for a vehicle front grill, as shown and described.

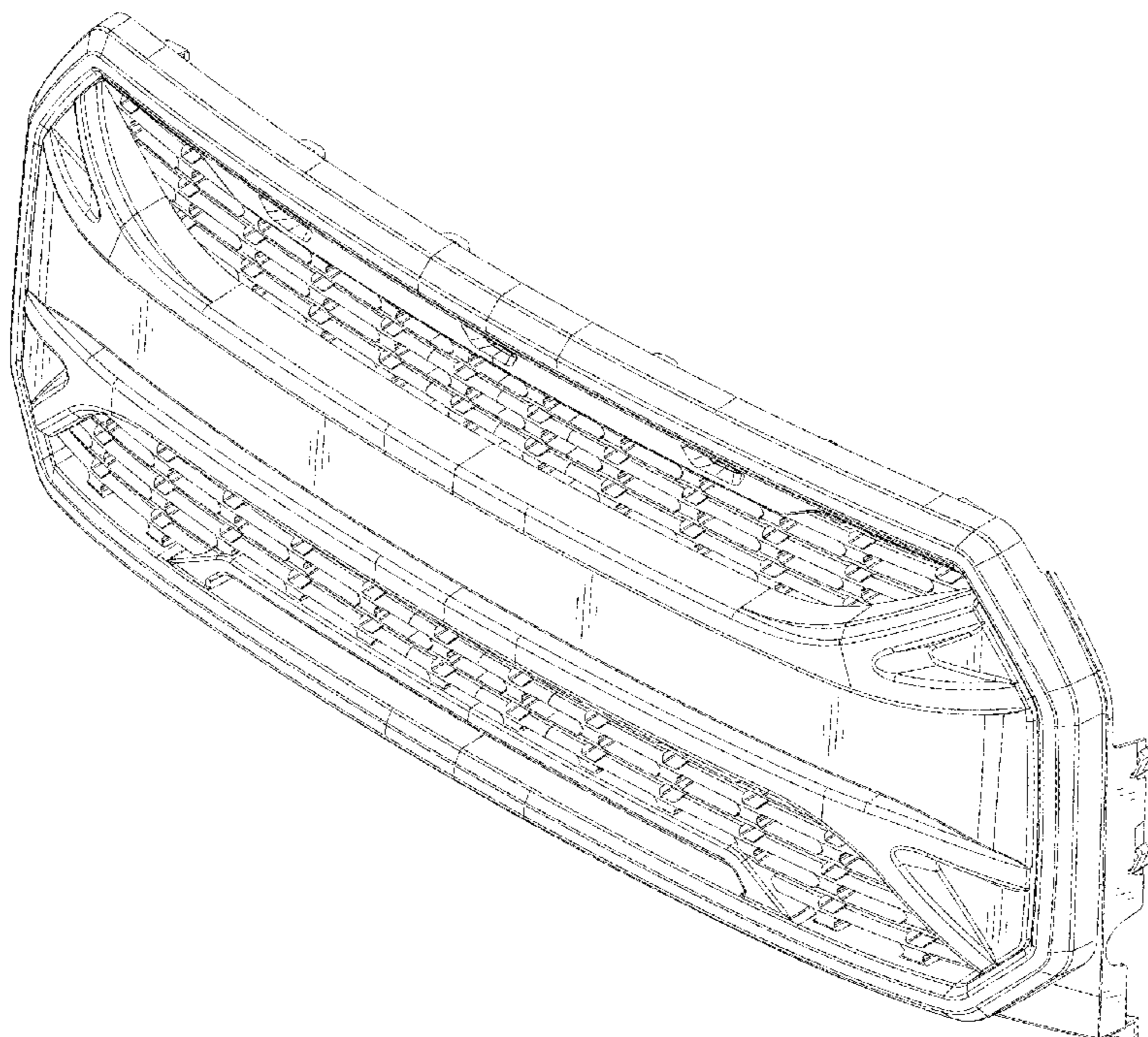
DESCRIPTION

FIG. 1 is a top, front, and left side perspective view of a vehicle front grille showing my new design; FIG. 2 is a front elevation view thereof; FIG. 3 is a rear elevation view thereof; FIG. 4 is a left side elevation view thereof; FIG. 5 is a right side elevation view thereof; FIG. 6 is a top plan view thereof; and, FIG. 7 is a bottom plan view thereof.

1 Claim, 7 Drawing Sheets

(56) **References Cited**
U.S. PATENT DOCUMENTS

- D494,896 S 8/2004 Platto et al.
- D600,170 S 9/2009 Endoh
- D665,315 S 8/2012 Matsuno et al.
- D742,288 S 11/2015 Murase
- D801,235 S * 10/2017 Gillam D12/163
- D815,994 S * 4/2018 Nakamura D12/163
- D825,406 S * 8/2018 Gueler D12/163
- D828,791 S * 9/2018 Jang D12/163
- D836,042 S * 12/2018 Yang D12/163
- D837,106 S * 1/2019 Yang D12/163
- D844,499 S * 4/2019 Metros D12/163
- D847,702 S * 5/2019 Zipfel D12/163
- D853,285 S * 7/2019 Yang D12/163



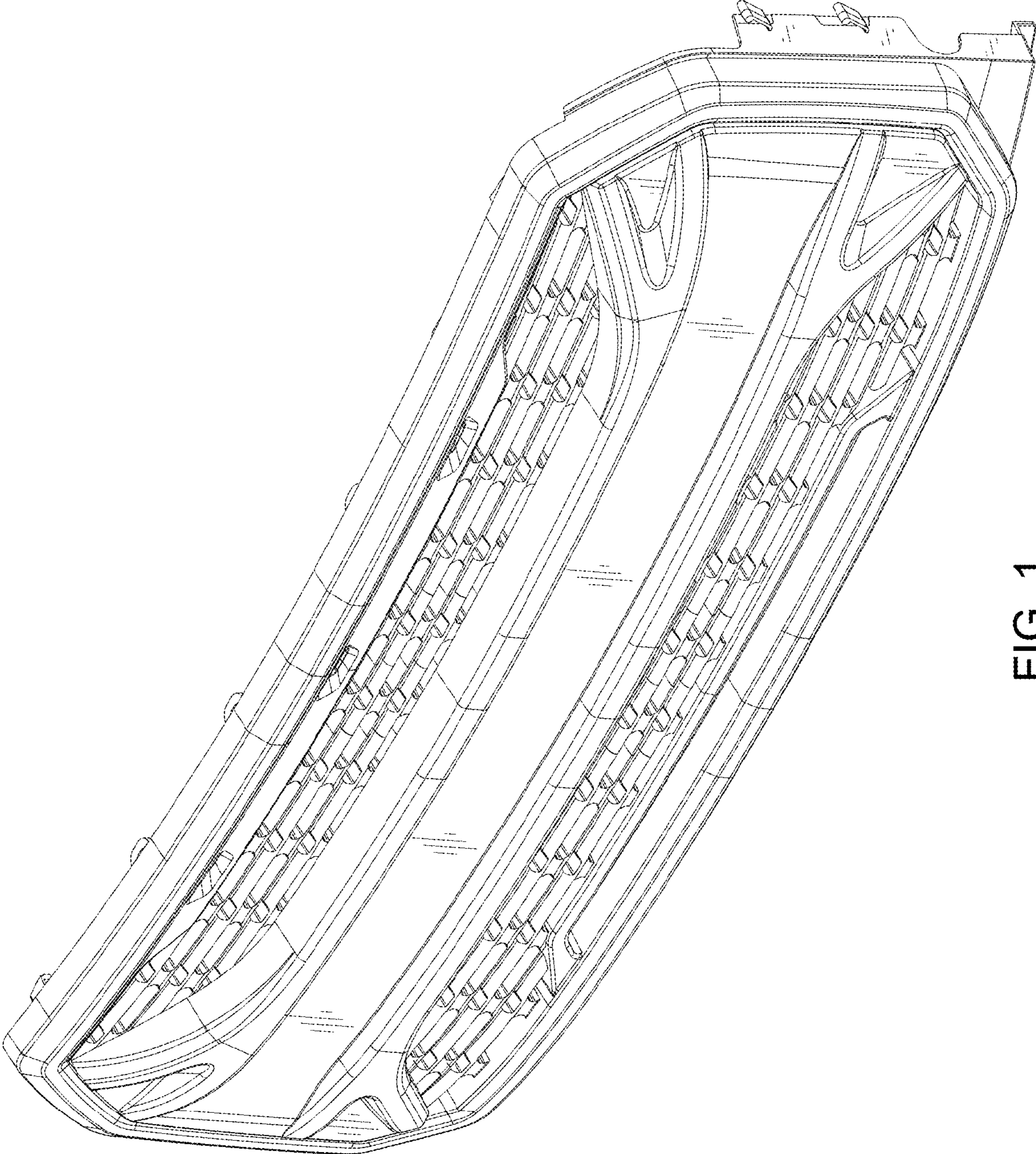


FIG. 1

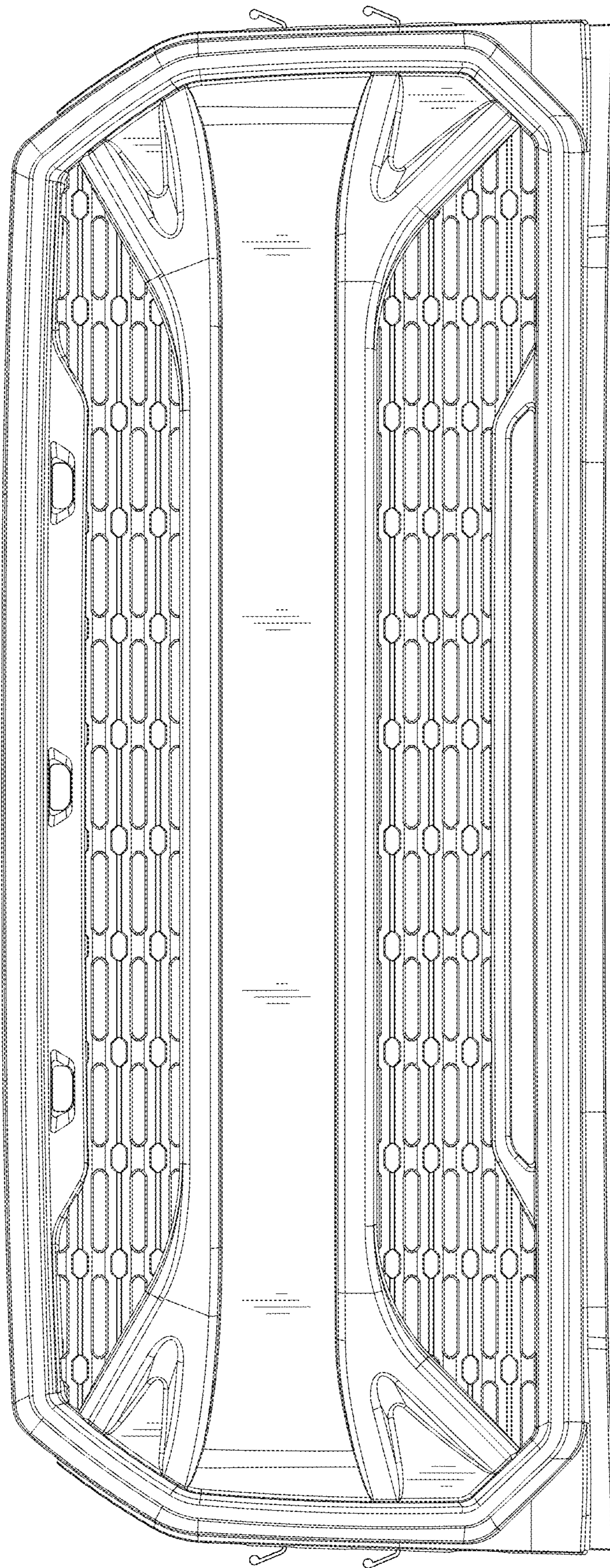


FIG. 2

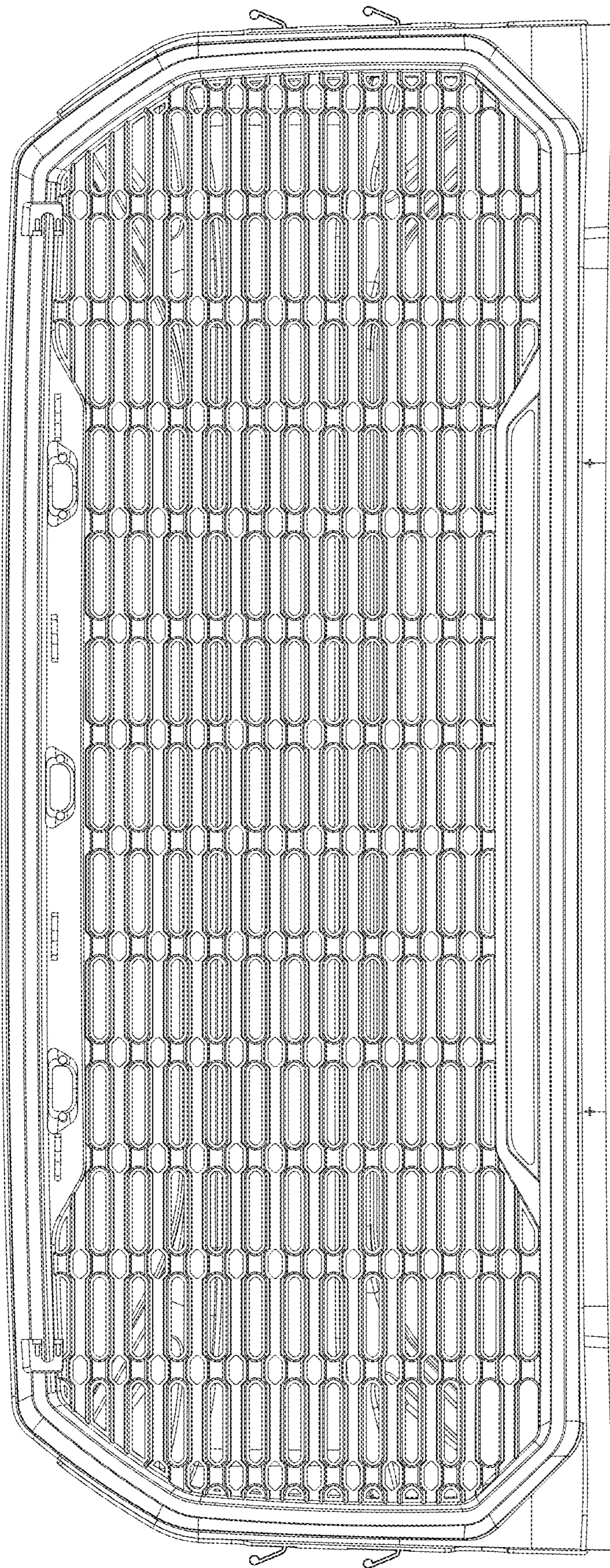


FIG. 3

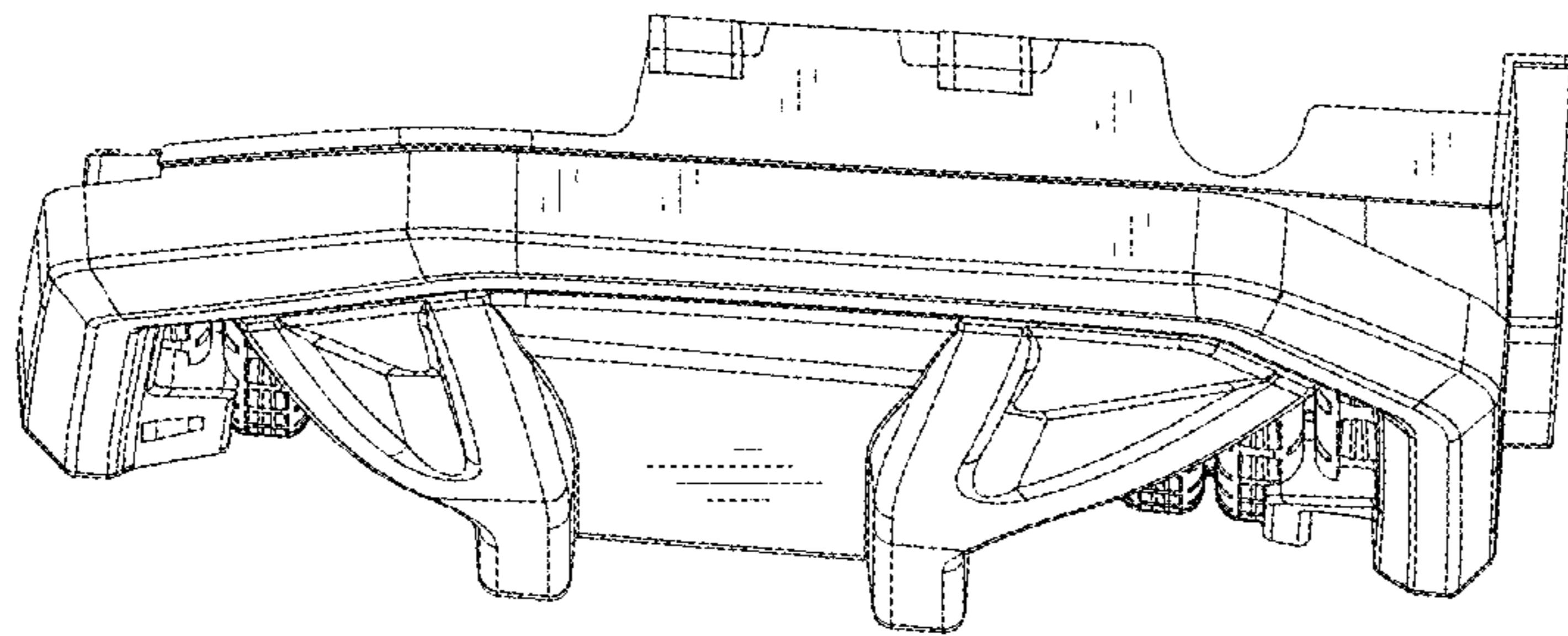


FIG. 4

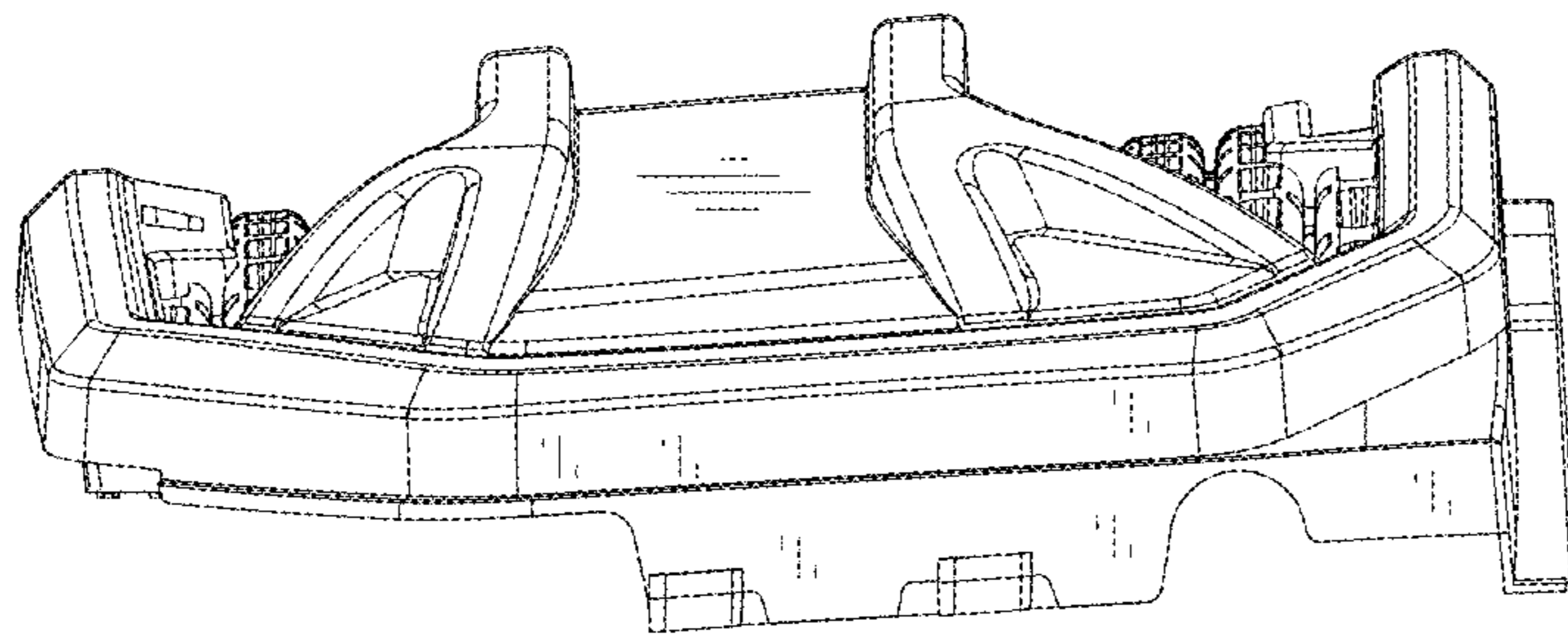


FIG. 5



FIG. 6

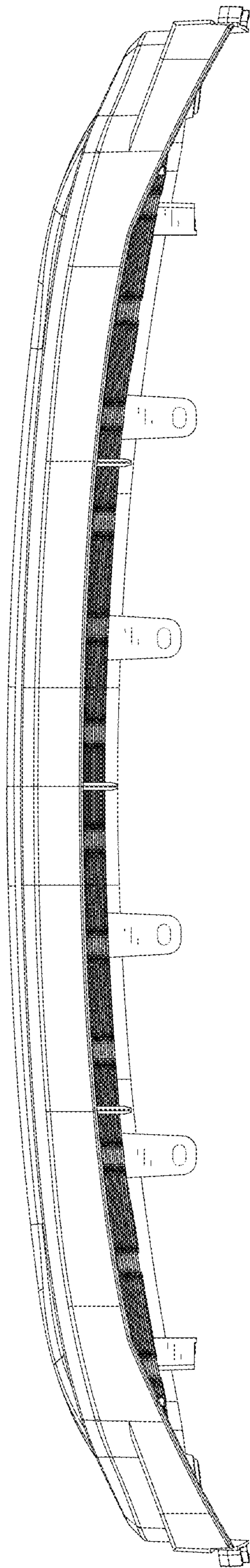


FIG. 7