

US00D906187S

(12) **United States Design Patent**
Foeldes

(10) **Patent No.:** **US D906,187 S**

(45) **Date of Patent:** **** Dec. 29, 2020**

(54) **ACTUATOR FOR A TRAILER HITCH**

(71) Applicant: **ACPS Automotive GmbH,**
Markgroeningen (DE)

(72) Inventor: **Bernát Foeldes,** Tokaj (HU)

(73) Assignee: **ACPS Automotive GmbH,**
Markgroeningen (DE)

(**) Term: **15 Years**

(21) Appl. No.: **29/705,485**

(22) Filed: **Sep. 12, 2019**

(30) **Foreign Application Priority Data**

Mar. 13, 2019 (EM) 006305348
Mar. 13, 2019 (EM) 006305348-0001
Mar. 13, 2019 (EM) 006305348-0002

(51) **LOC (12) Cl.** **12-16**

(52) **U.S. Cl.**
USPC **D12/162**

(58) **Field of Classification Search**
USPC D12/159-162
CPC . B60D 1/60; B60D 1/065; B60D 1/00; B60D
1/06; B60D 1/36
See application file for complete search history.

(56) **References Cited**

U.S. PATENT DOCUMENTS

D682,309 S * 5/2013 Steele D14/489
D800,610 S * 10/2017 Melvin B65G 7/12
D12/162
D837,103 S * 1/2019 Armigliato D12/162
D840,282 S * 2/2019 Coste D12/162
D855,499 S * 8/2019 Siegel D12/162
D862,307 S * 10/2019 Milbank D12/162

D865,577 S * 11/2019 Ghiata D12/162
D866,411 S * 11/2019 Huval D12/162
D867,260 S * 11/2019 Brunkhurst D12/223
D879,671 S * 3/2020 Siegel D12/162

* cited by examiner

Primary Examiner — Katrina A Betton

(74) *Attorney, Agent, or Firm* — Reinhart Boerner Van
Deuren P.C.

(57) **CLAIM**

I claim the ornamental design for an actuator for a trailer hitch, as shown and described.

DESCRIPTION

FIG. 1 is a perspective view of an actuator for a trailer hitch from a front and right hand side view, with a cover in an closed position, showing my new design:

FIG. 2 is a right side view of the embodiment of FIG. 1;

FIG. 3 is a rear view of the embodiment of FIG. 1;

FIG. 4 is a front view of the embodiment of FIG. 1;

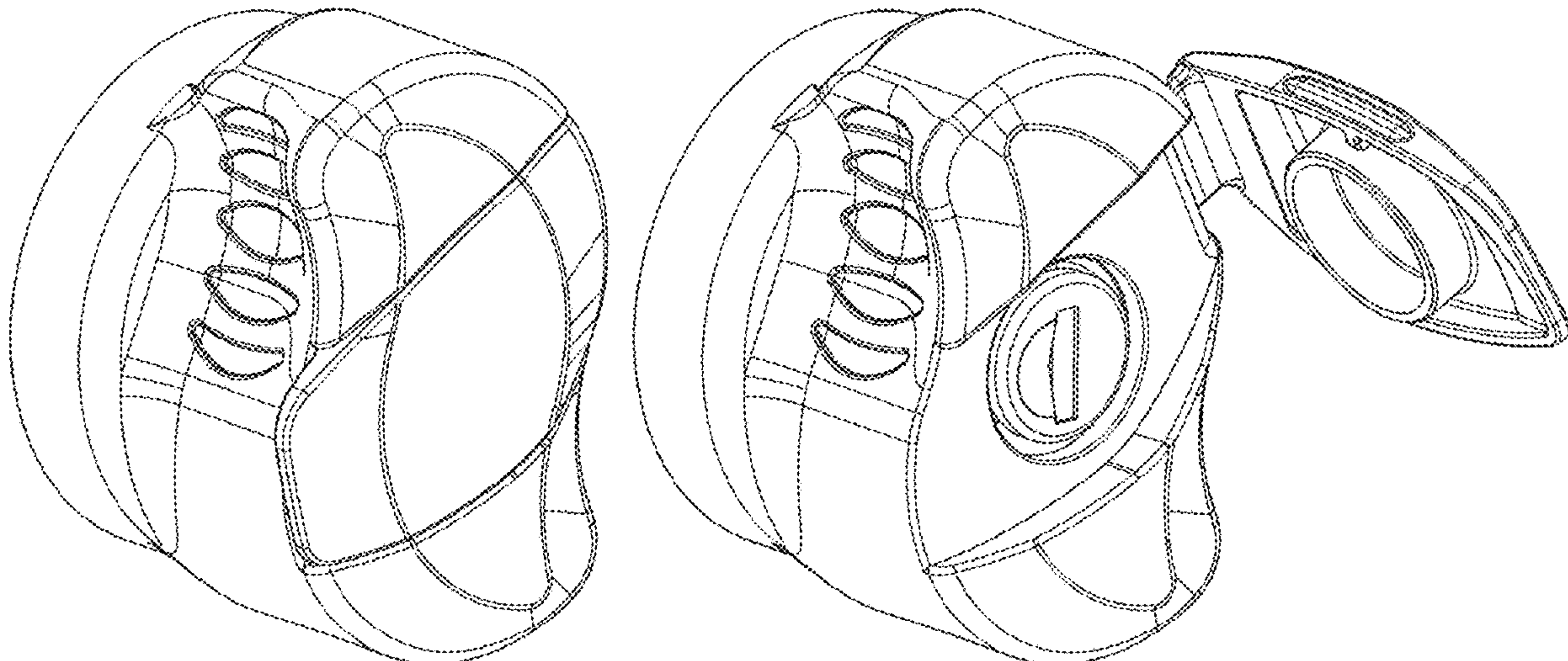
FIG. 5 is a top view of the embodiment of FIG. 1;

FIG. 6 is a bottom view thereof showing the side opposite that shown in FIG. 5; and,

FIG. 7 is a perspective view of the actuator shown in FIG. 1 in use with the trailer hitch, with the trailer hitch being illustrated in broken lines to illustrate environmental structure and/or boundaries along the left hand side that form no part of the design to be patented.

FIGS. 8-14 are the same views of the actuator shown in FIGS. 1-7, respectively, but with the cover in a open position, it being similarly understood also in FIG. 14 that the trailer hitch is illustrated in broken lines to illustrate environmental structure and/or boundaries along the left hand side that form no part of the design to be patented.

1 Claim, 14 Drawing Sheets



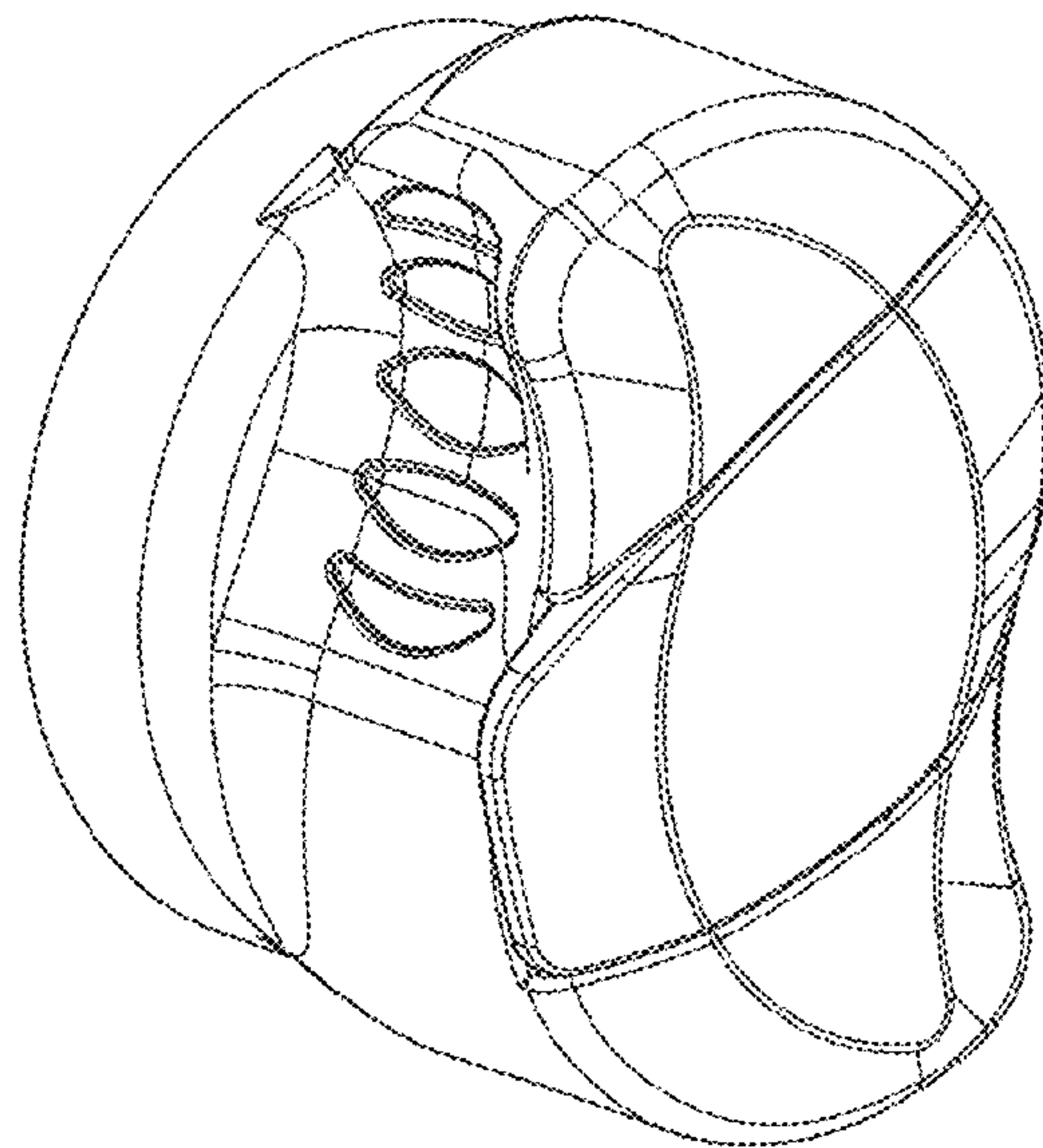


FIG. 1

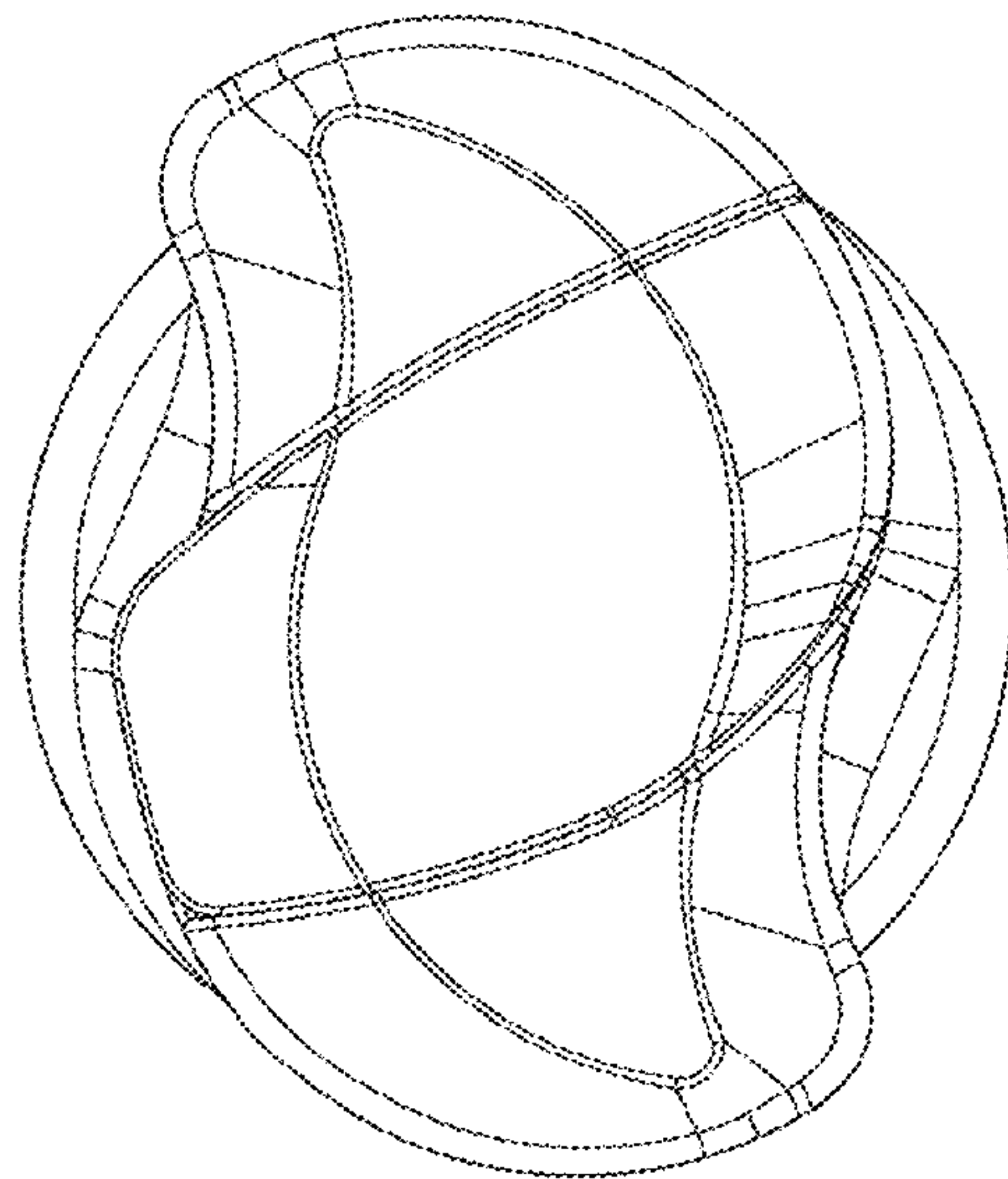


FIG. 2

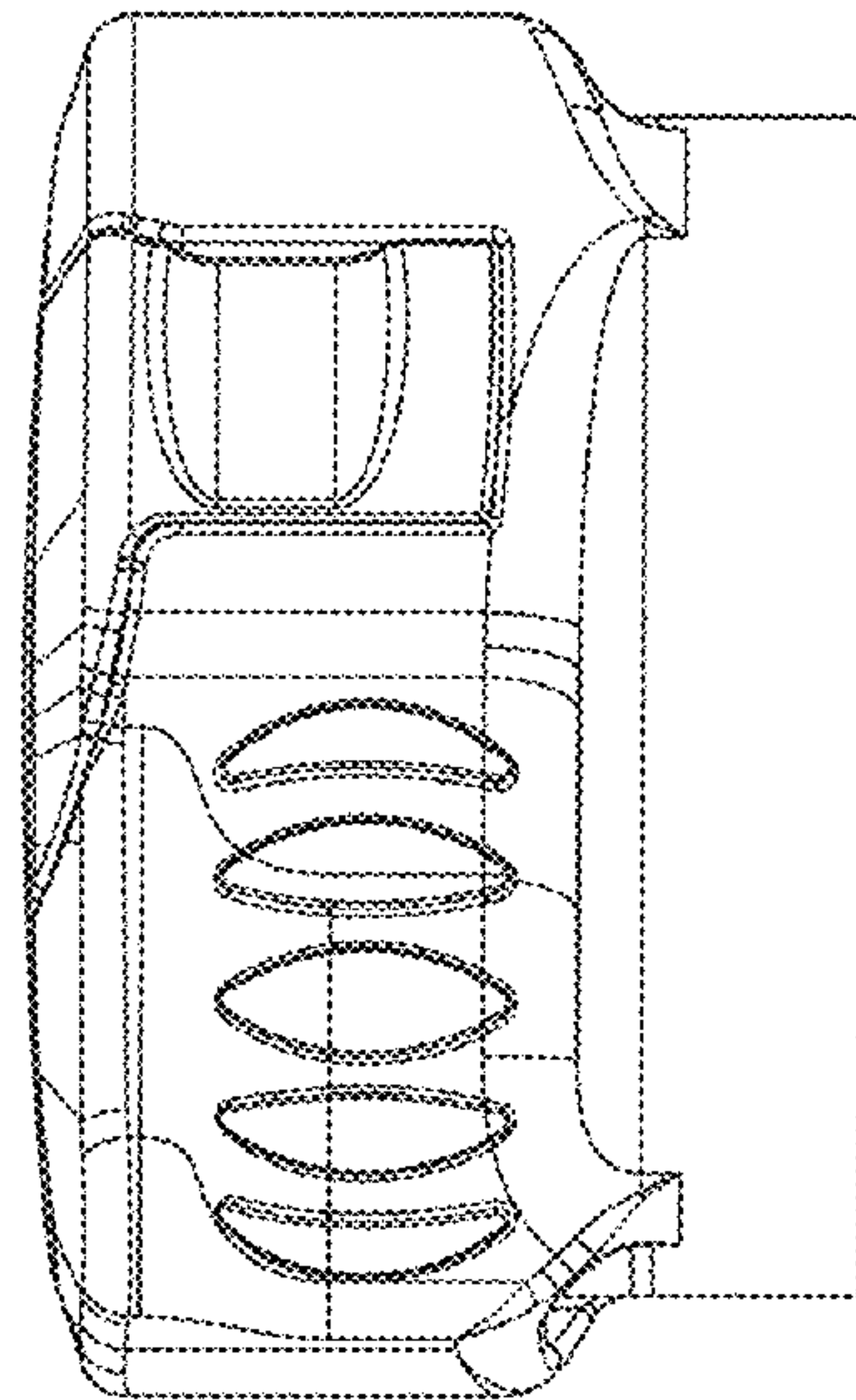


FIG. 3

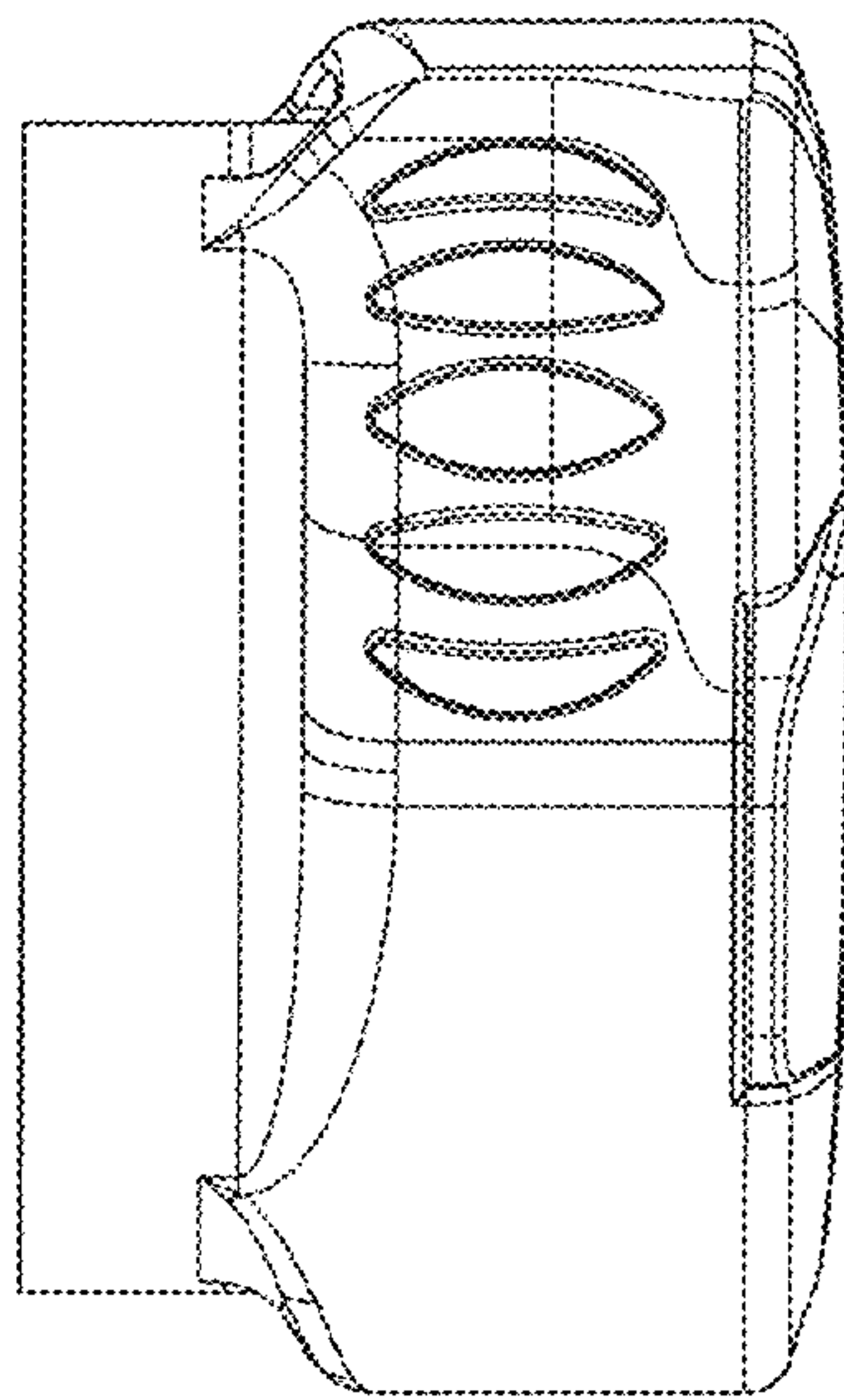


FIG. 4

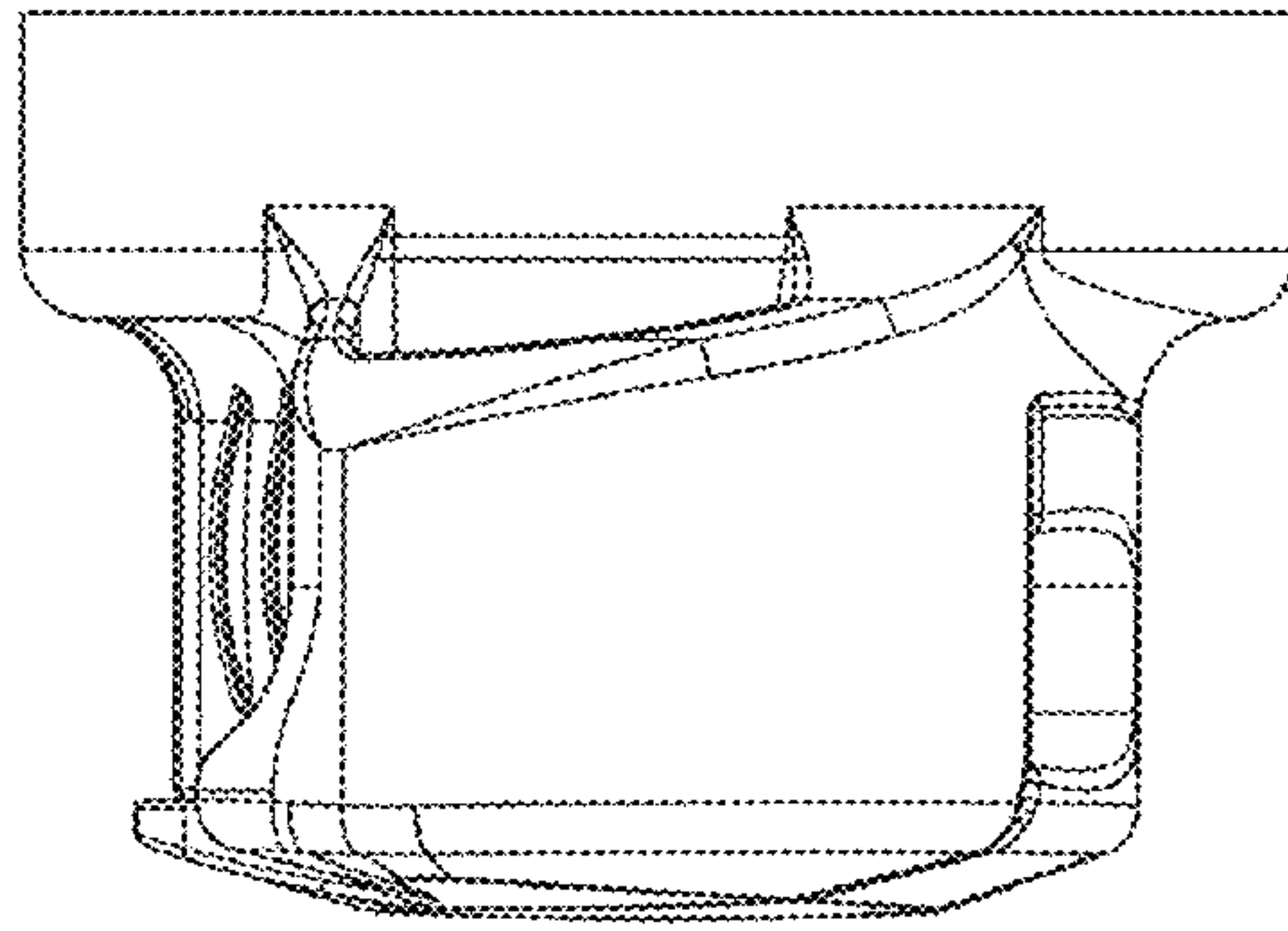


FIG. 5

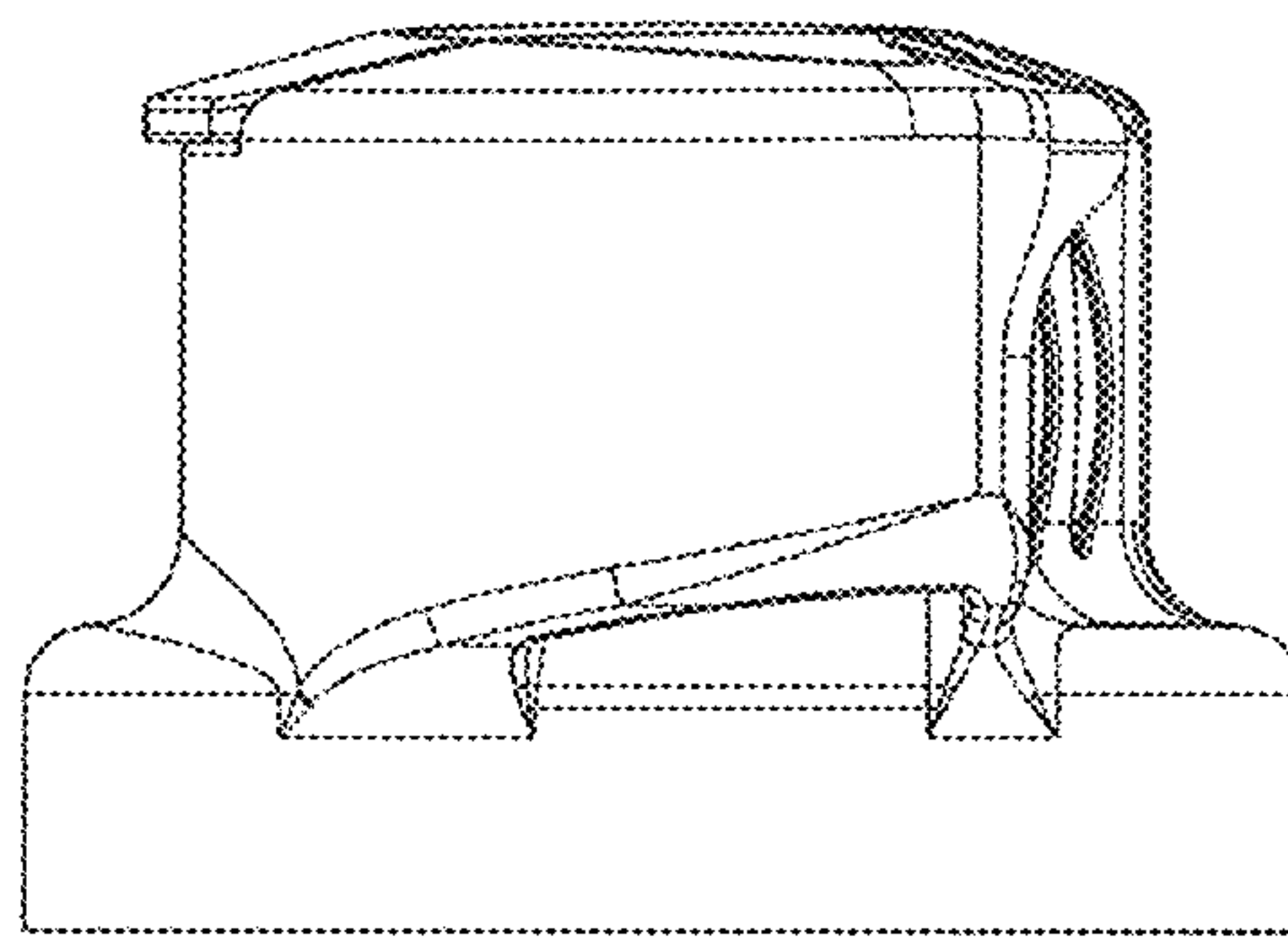


FIG. 6

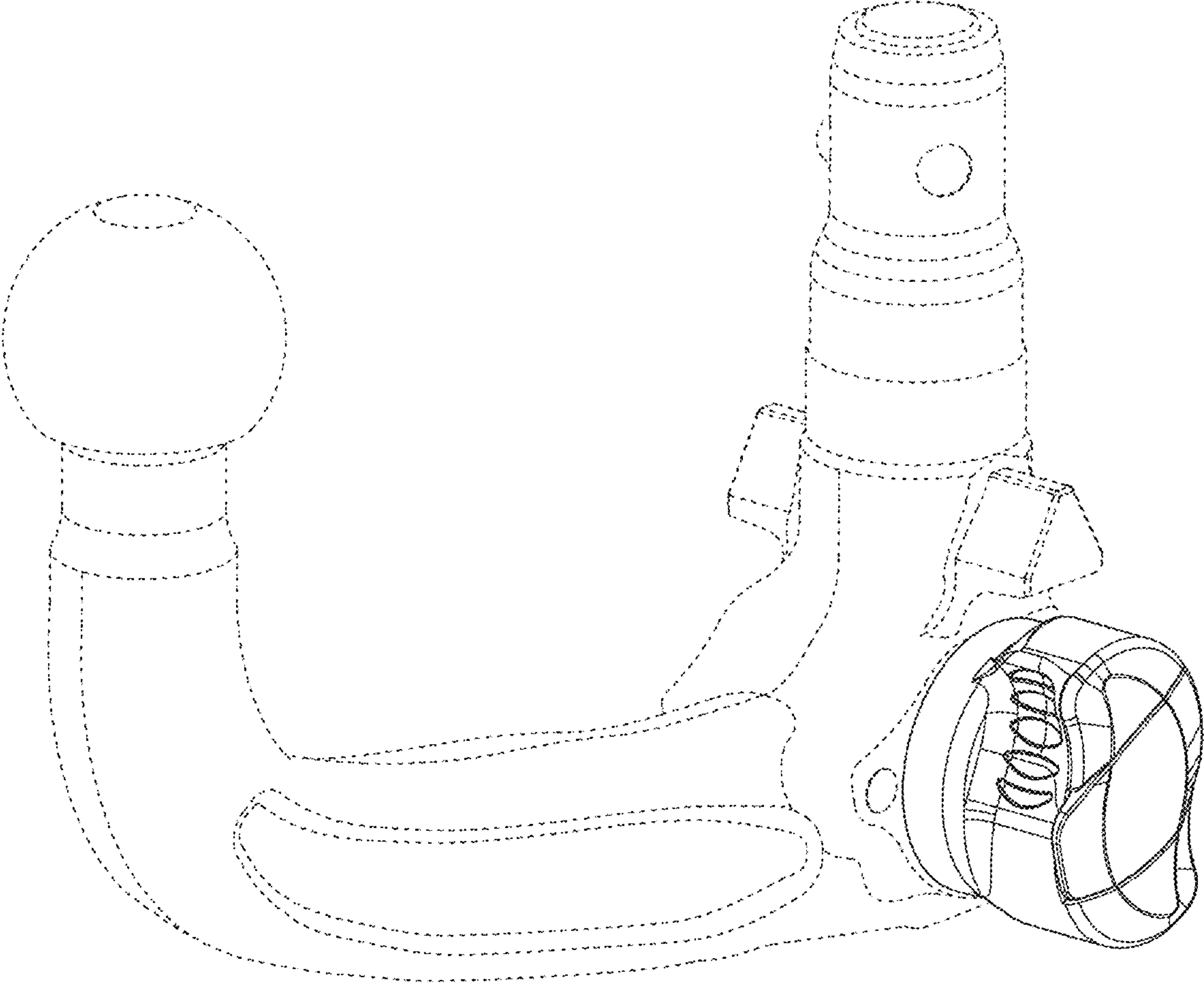


FIG. 7

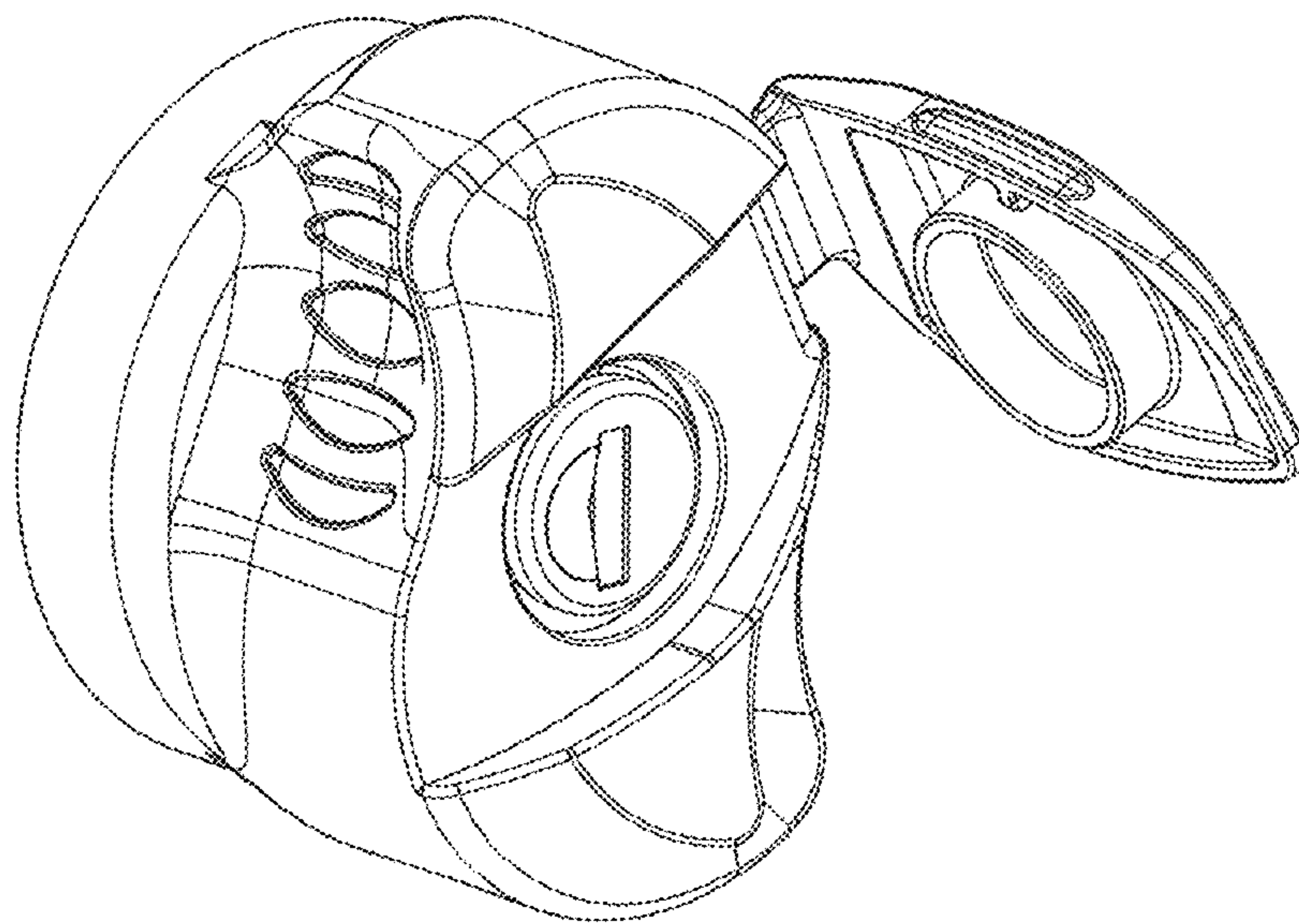


FIG. 8

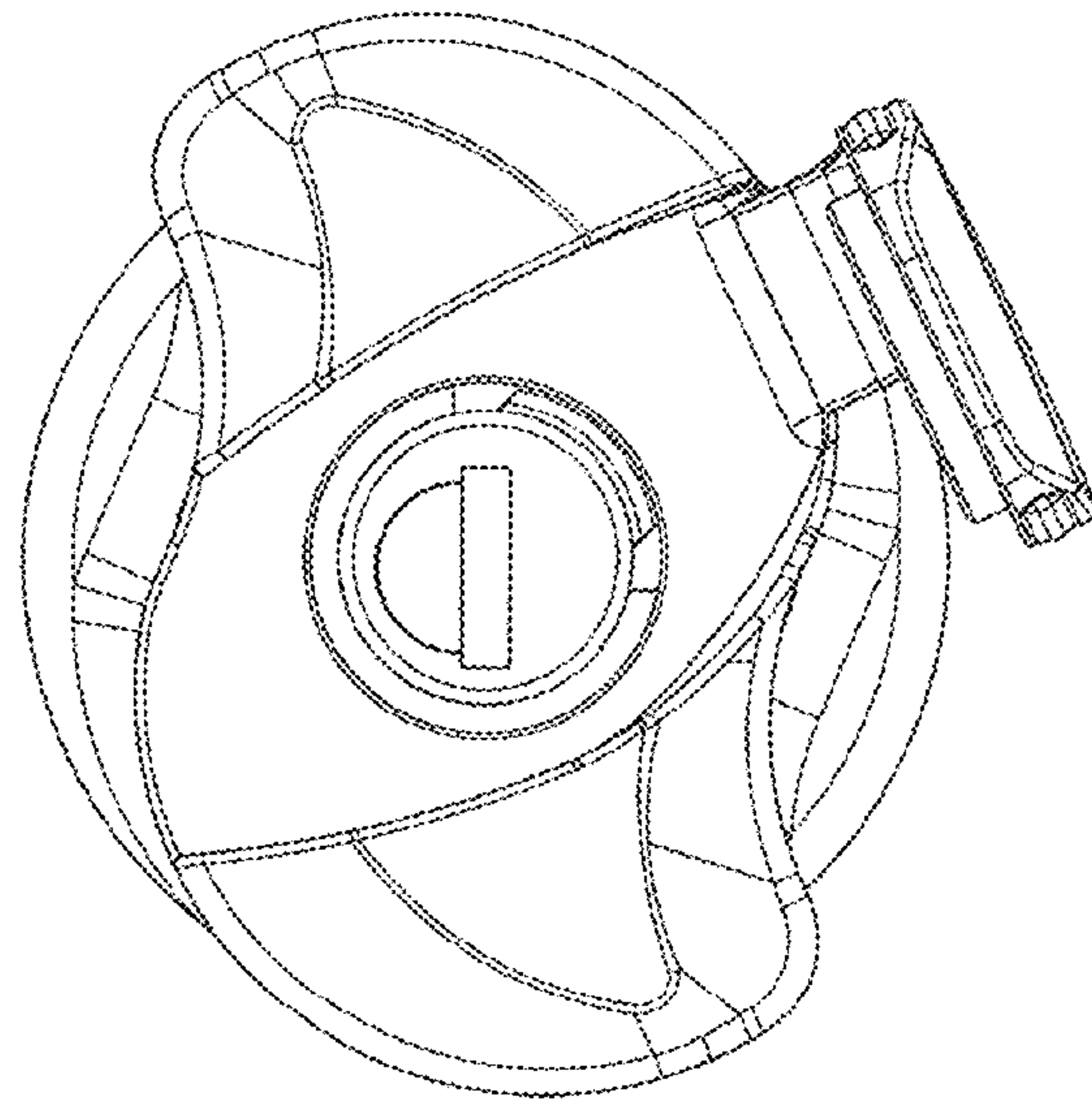


FIG. 9

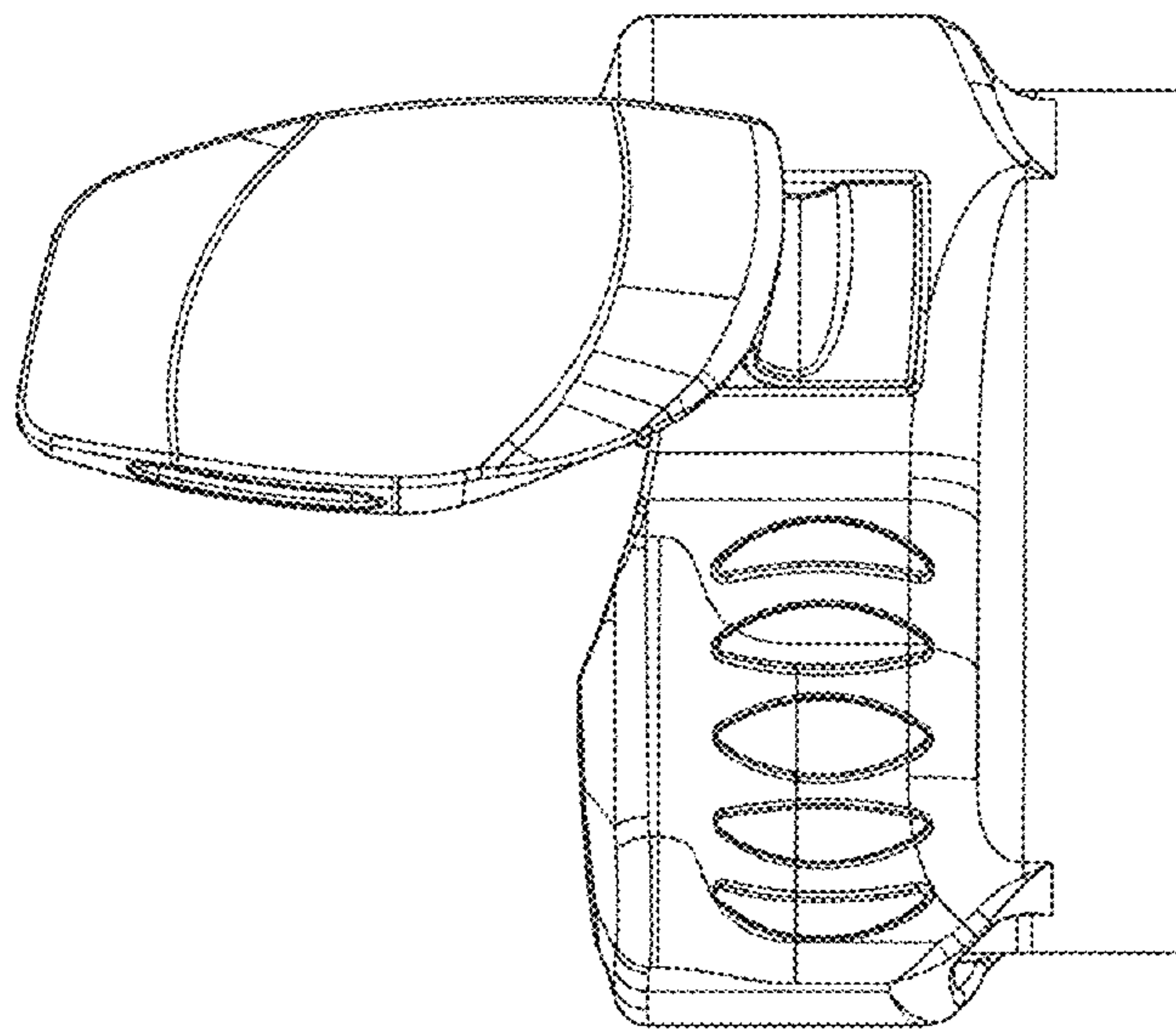


FIG. 10

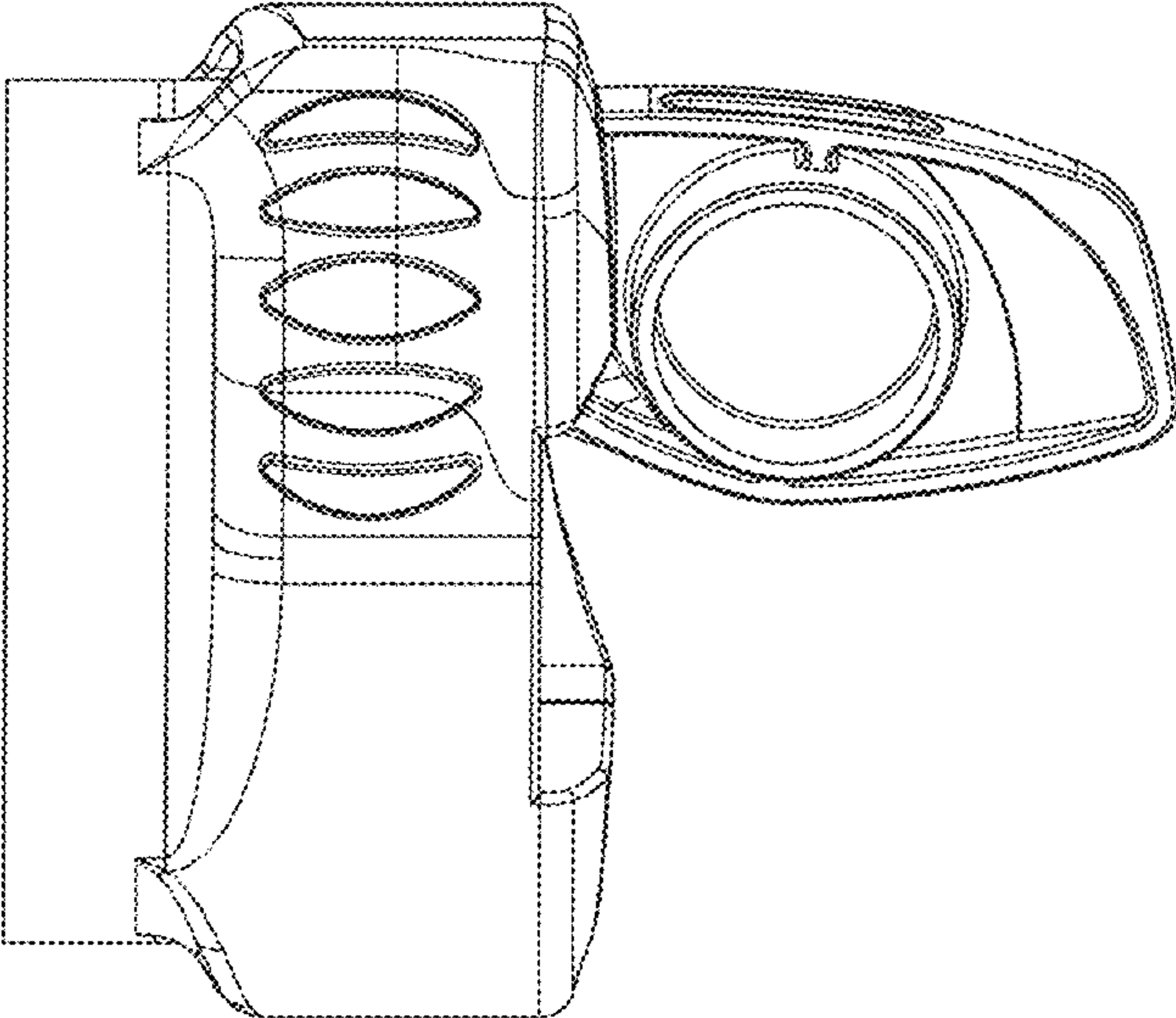


FIG. 11

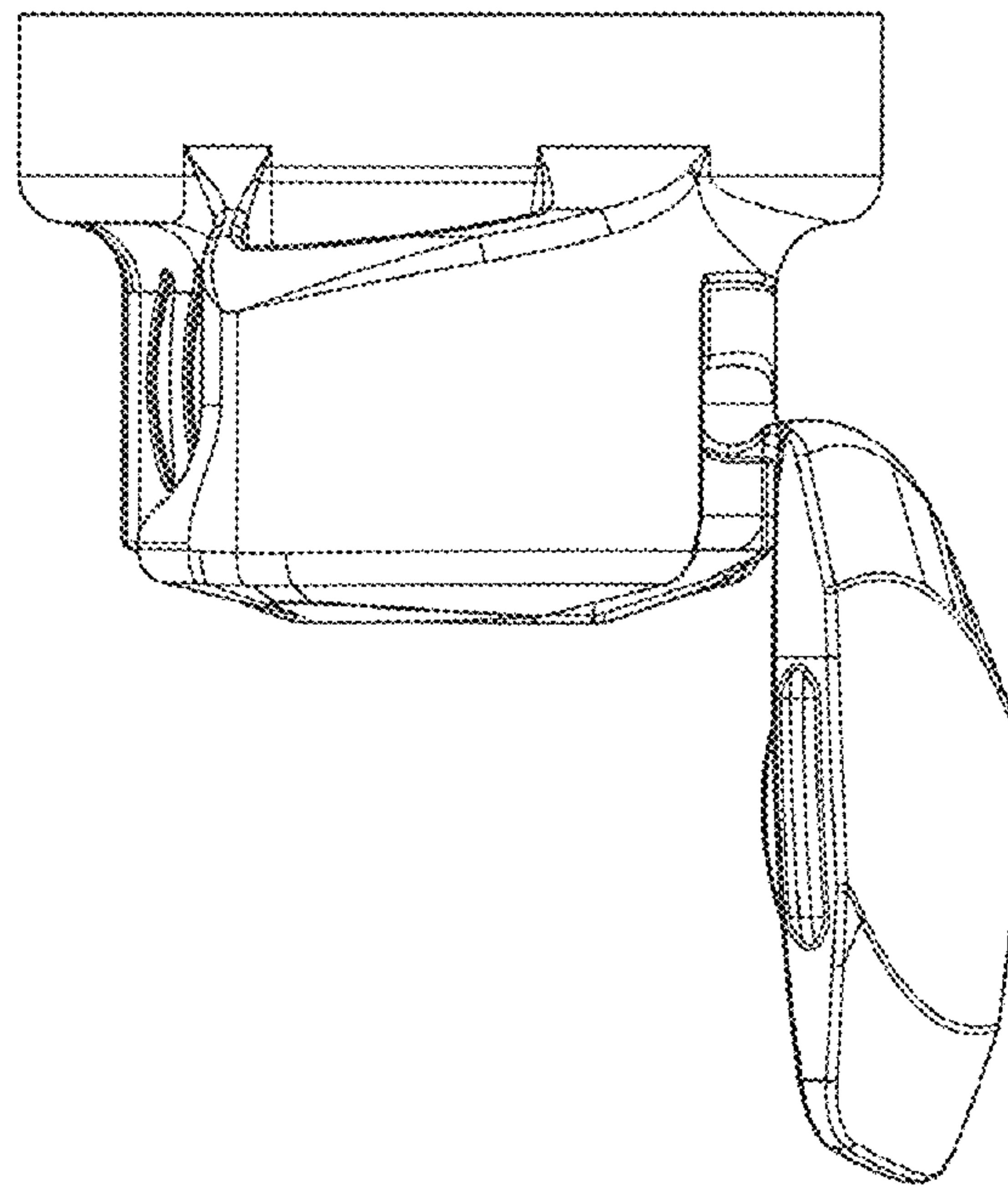


FIG. 12

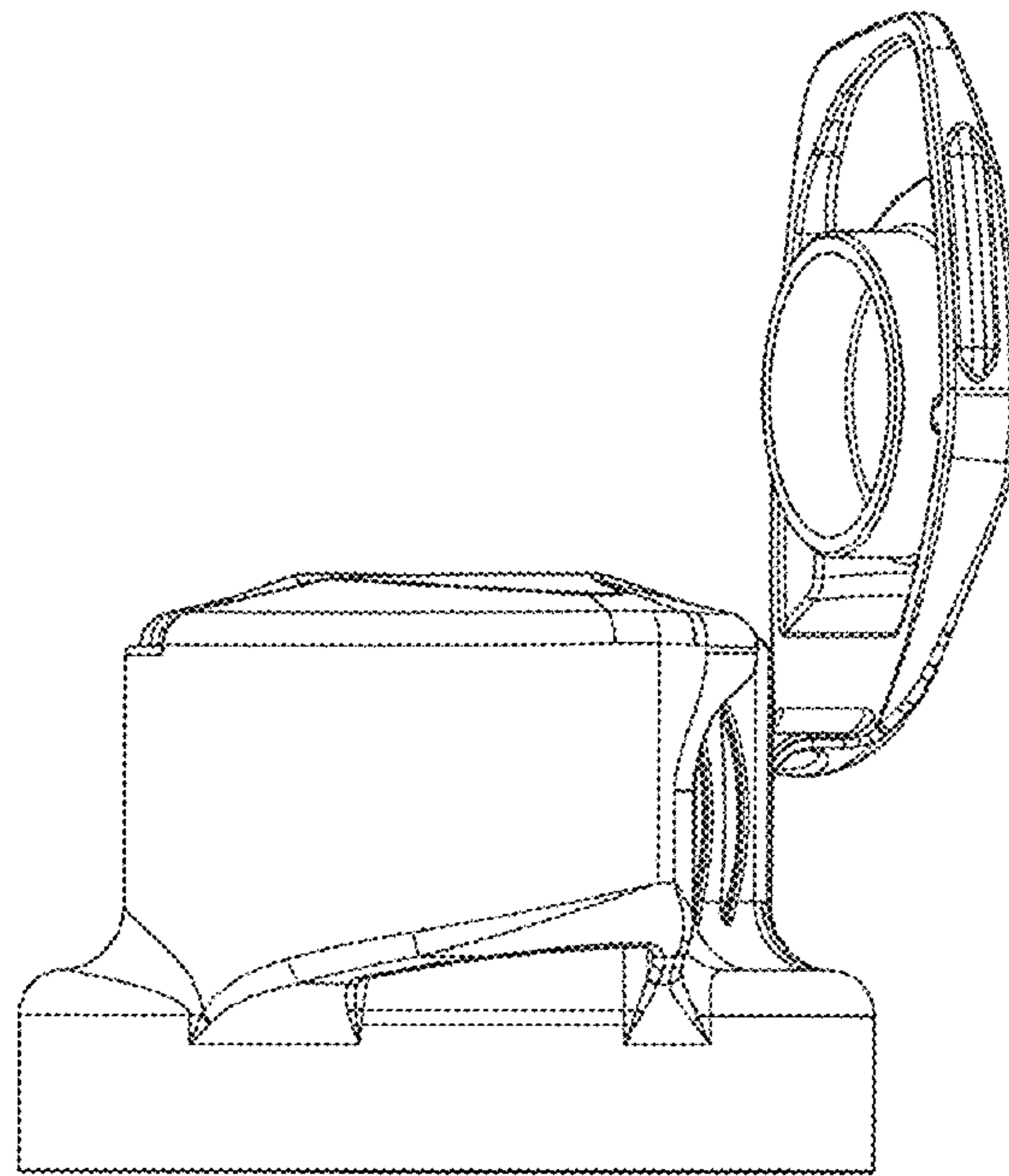


FIG. 13

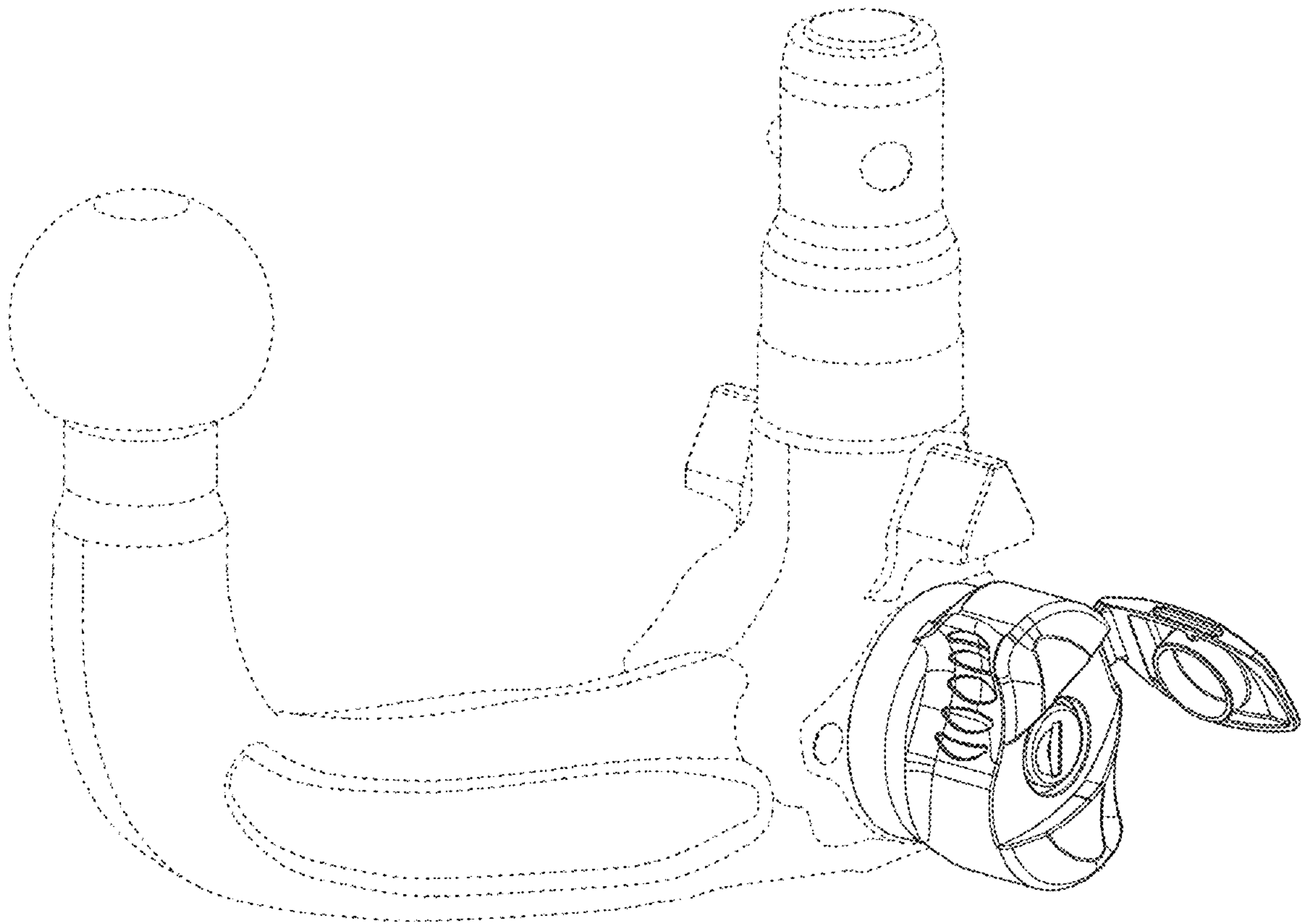


FIG. 14