



US00D906186S

(12) **United States Design Patent**
Braun

(10) **Patent No.:** **US D906,186 S**

(45) **Date of Patent:** **** Dec. 29, 2020**

(54) **BICYCLE FRAME**

(71) Applicant: **Robert Bosch GmbH**, Stuttgart (DE)

(72) Inventor: **Sigmund Braun**, Kusterdingen (DE)

(73) Assignee: **Robert Bosch GmbH**, Stuttgart (DE)

(**) Term: **15 Years**

(21) Appl. No.: **29/674,783**

(22) Filed: **Dec. 26, 2018**

(30) **Foreign Application Priority Data**

Jun. 28, 2018 (EM) 005328770

(51) **LOC (12) Cl.** **12-11**

(52) **U.S. Cl.**
USPC **D12/117**

(58) **Field of Classification Search**

USPC D12/111, 107, 114, 117, 159, 110, 118,
D12/119; D21/419, 424, 427, 432, 663,
D21/664, 666, 697

CPC . B62K 3/00; B62K 3/005; B62K 3/02; B62K
3/04; B62K 11/00; B62K 11/02; B62K
11/10; B62K 11/14; B62K 9/02; B62K
21/12; B62K 21/16; B62K 21/26; B62K
21/02; B62K 21/04; B62K 21/06; B62K
15/006; B62K 2201/04; B62K 25/04;
B62K 25/08; B62K 25/16; B62K 25/30;
B62K 19/02; B62K 19/08; B62K 19/16

See application file for complete search history.

(56) **References Cited**

U.S. PATENT DOCUMENTS

D155,787 S * 11/1949 Dougherty D12/117
D246,170 S * 10/1977 Powers D12/111

D343,599 S * 1/1994 Camfield D12/11
D359,467 S * 6/1995 Hsieh D12/111
D511,717 S * 11/2005 Lin D12/107
D562,189 S * 2/2008 Miwa D12/107
D727,215 S * 4/2015 Yang D12/111
D805,001 S * 12/2017 Chen D12/111

FOREIGN PATENT DOCUMENTS

CN 201530030972 * 2/2015
CN 201530114551 * 4/2015

* cited by examiner

Primary Examiner — Sheryl Lane

Assistant Examiner — Samantha N Wood

(74) *Attorney, Agent, or Firm* — Maginot, Moore & Beck
LLP

(57) **CLAIM**

The ornamental design for a bicycle frame, as shown and
described.

DESCRIPTION

FIG. 1 is a perspective view of a bicycle frame showing my
new design;

FIG. 2 is a left side elevational view of the bicycle frame of
FIG. 1;

FIG. 3 is a right side elevational view of the bicycle frame
of FIG. 1;

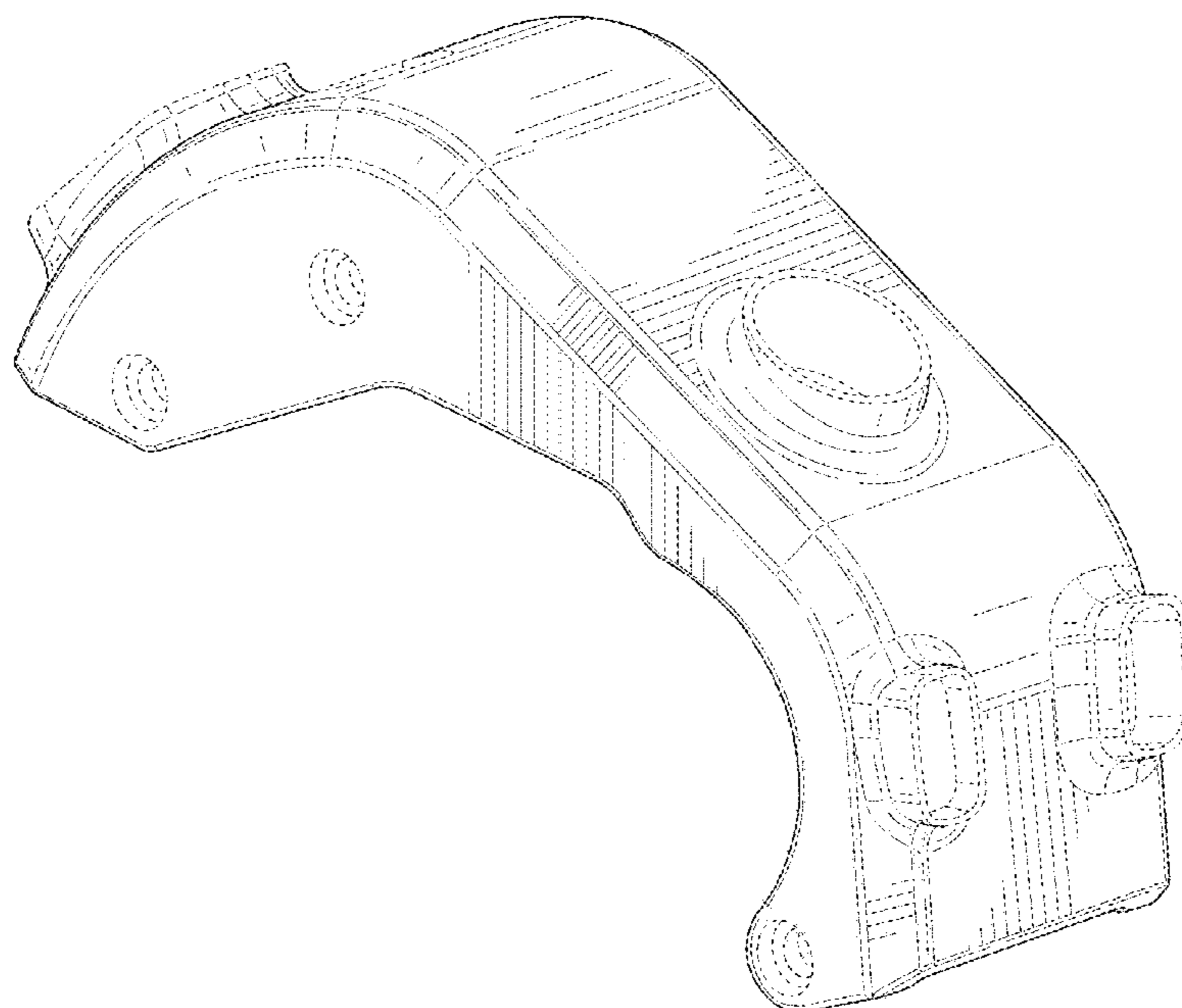
FIG. 4 is a front elevational view of the bicycle frame of
FIG. 1;

FIG. 5 is a rear elevational view of the bicycle frame of FIG.
1;

FIG. 6 is a top plan view of the bicycle frame of FIG. 1; and,
FIG. 7 is a bottom plan view of the bicycle frame of FIG. 1.

The broken lines shown in the drawings illustrate portions of
the bicycle frame that form no part of the claimed design.

1 Claim, 7 Drawing Sheets



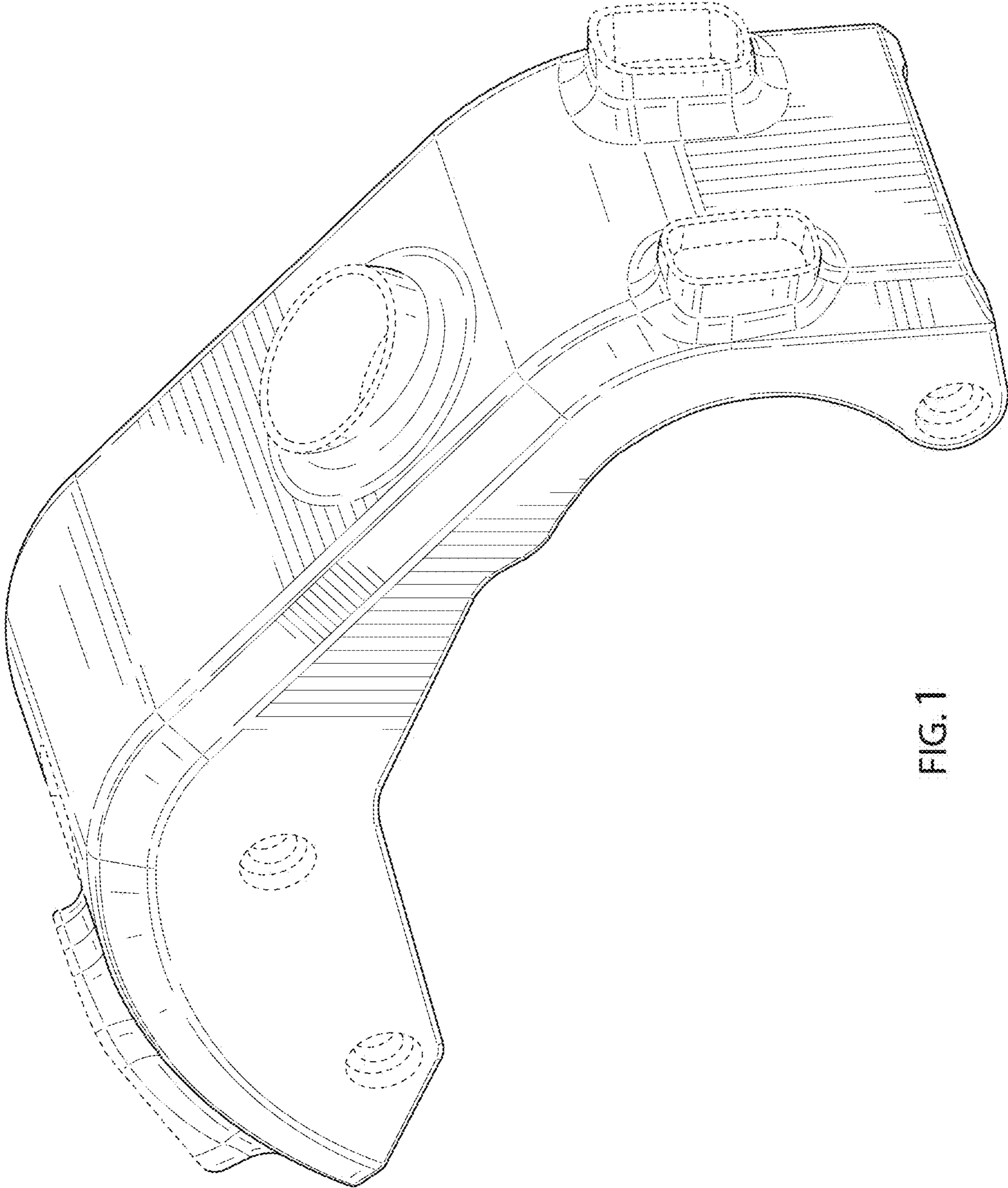


FIG.1

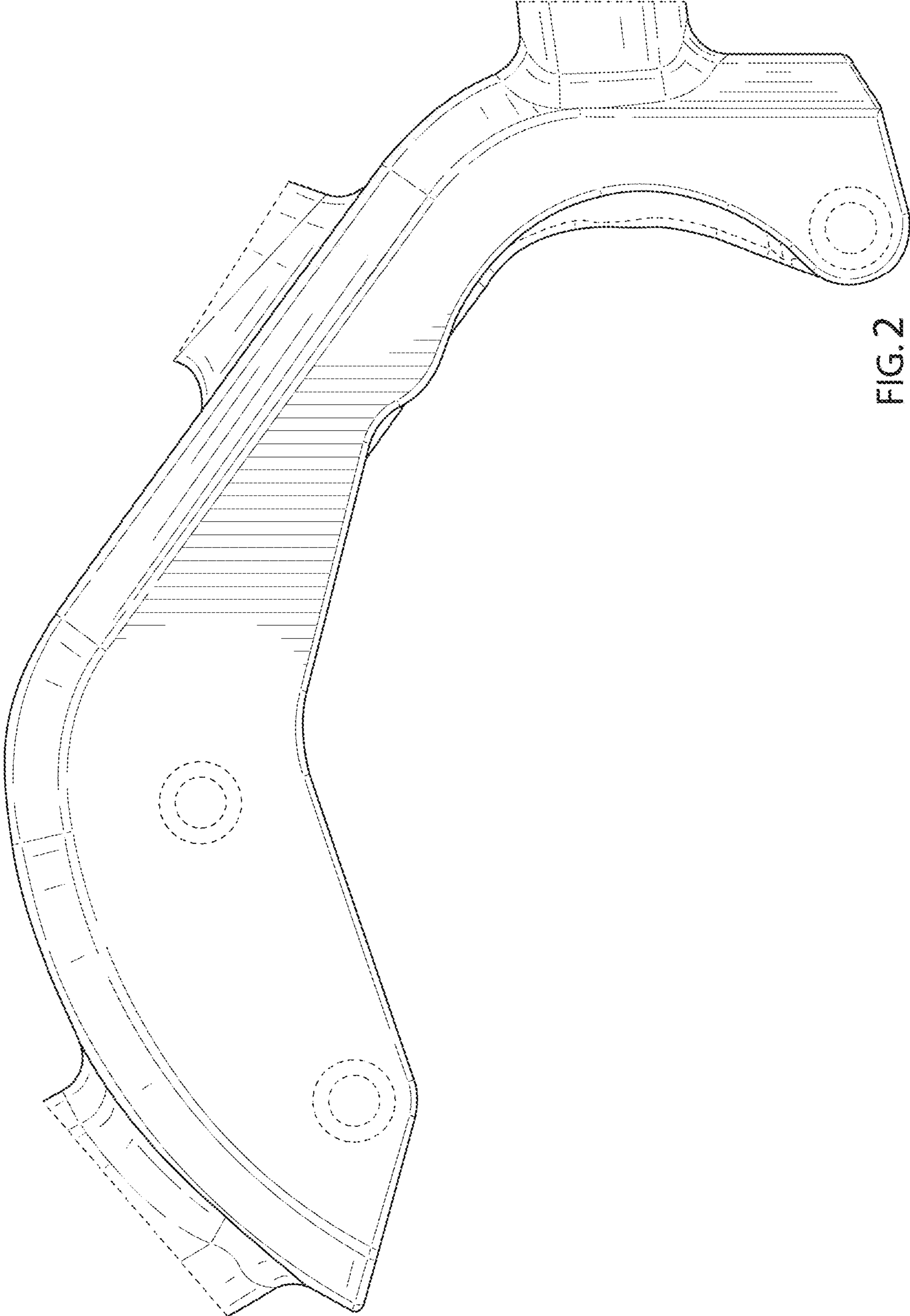


FIG. 2

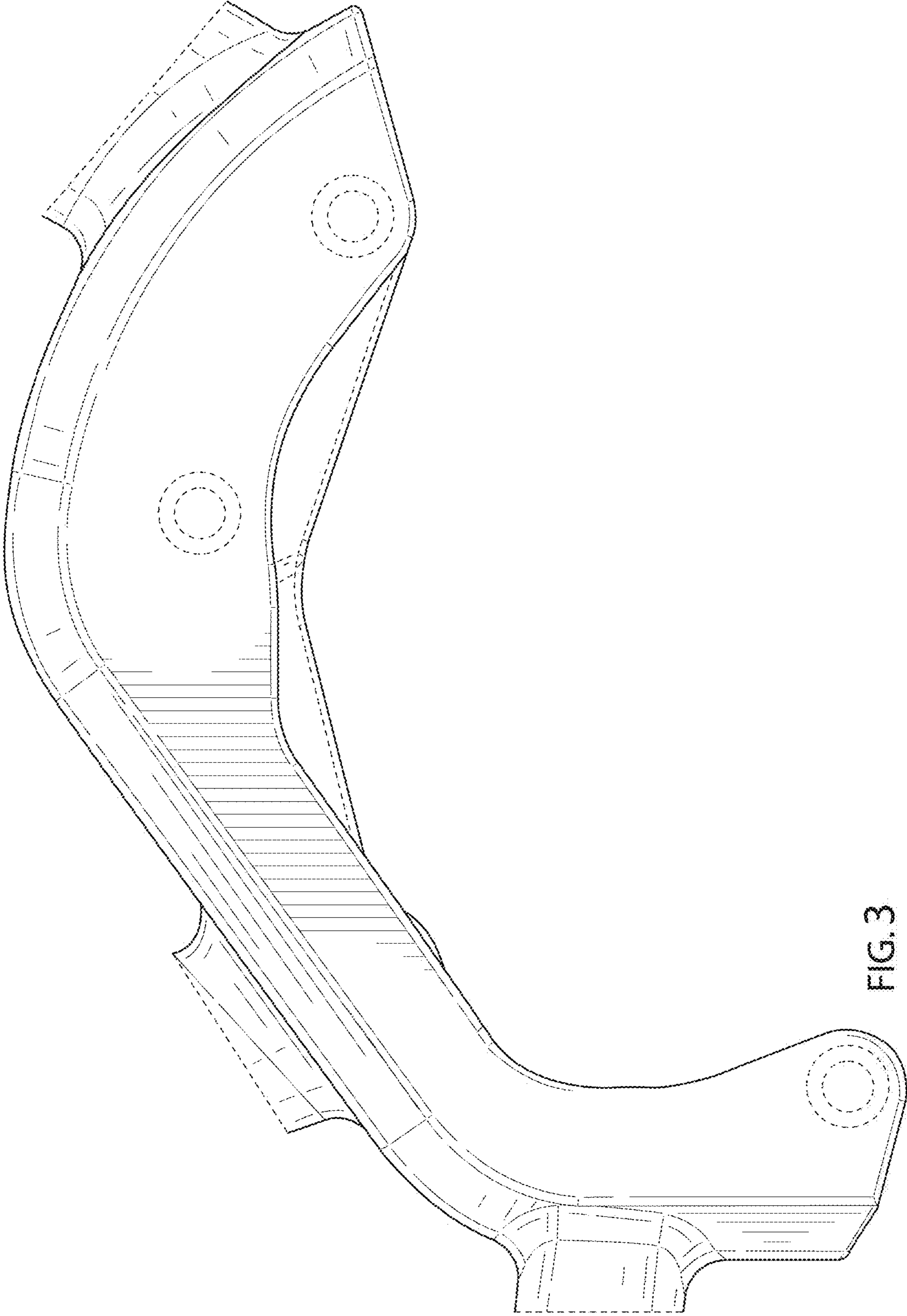


FIG. 3

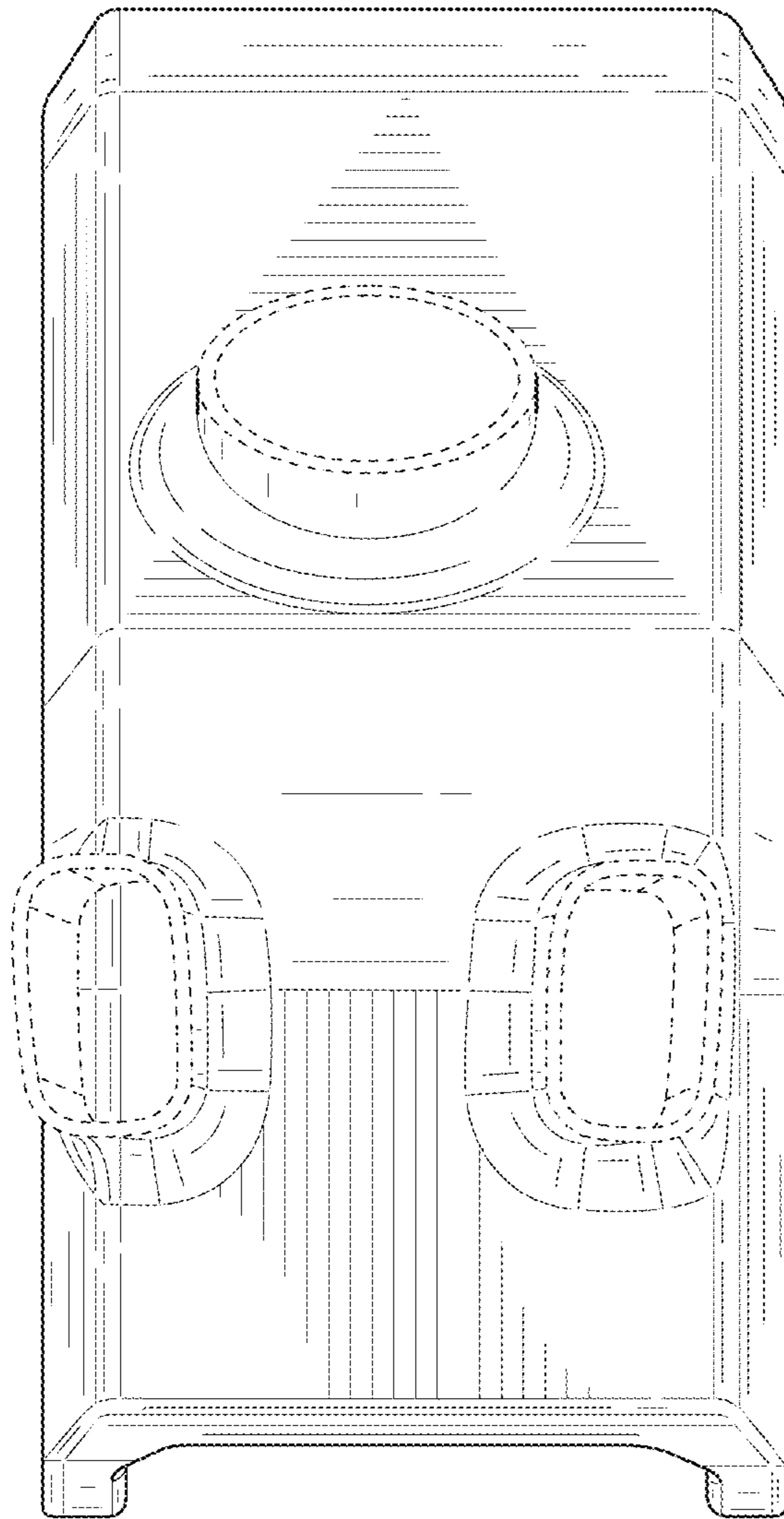


FIG. 4

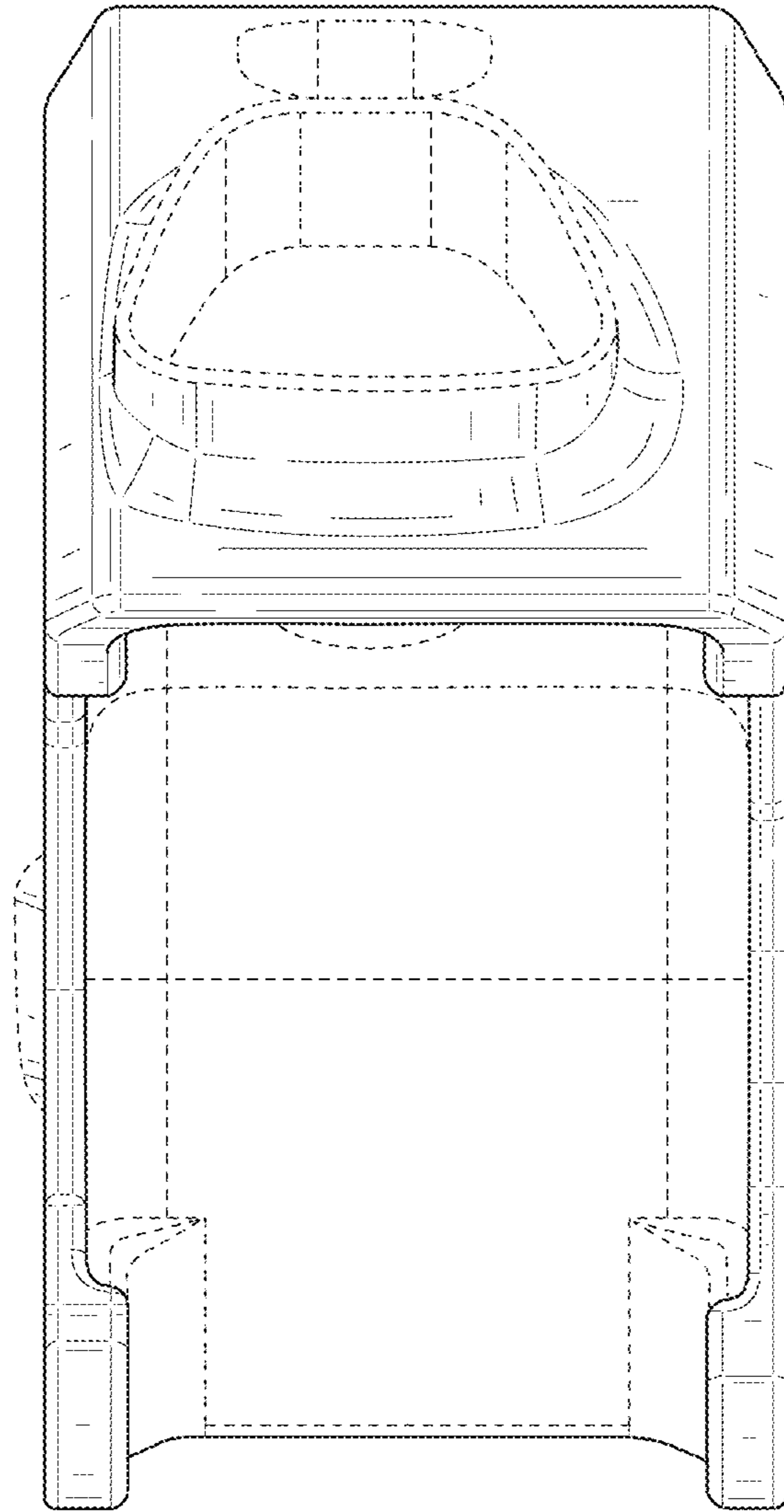


FIG. 5

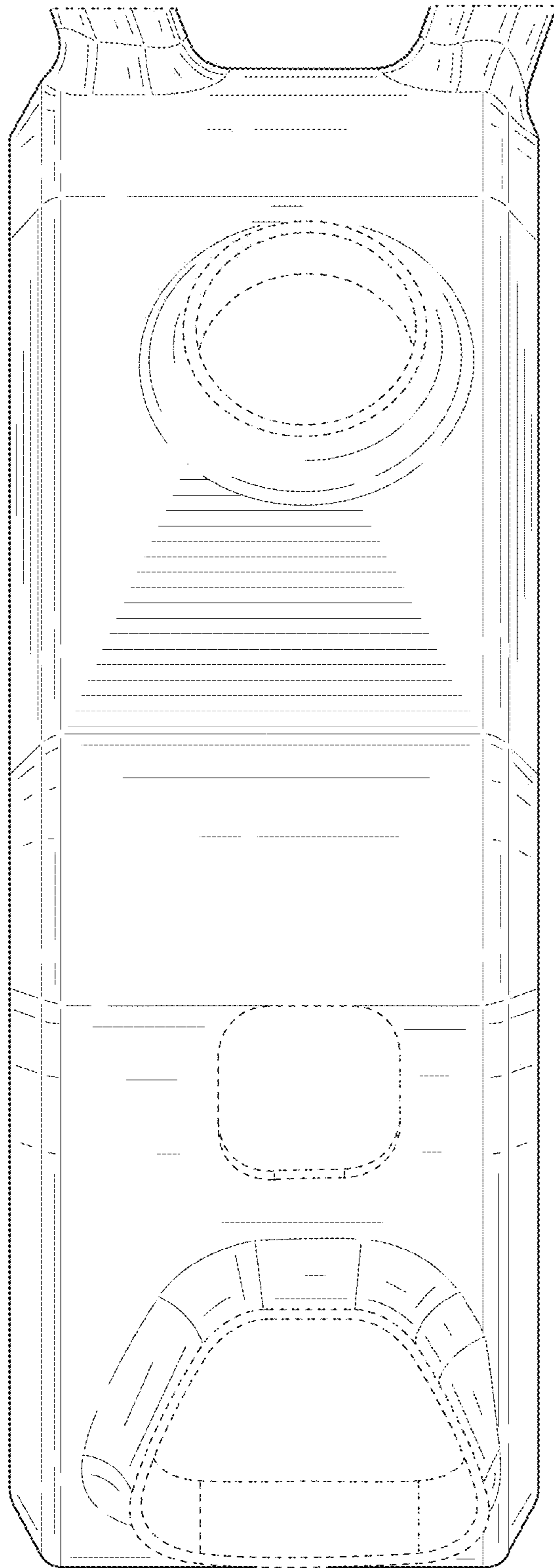


FIG. 6

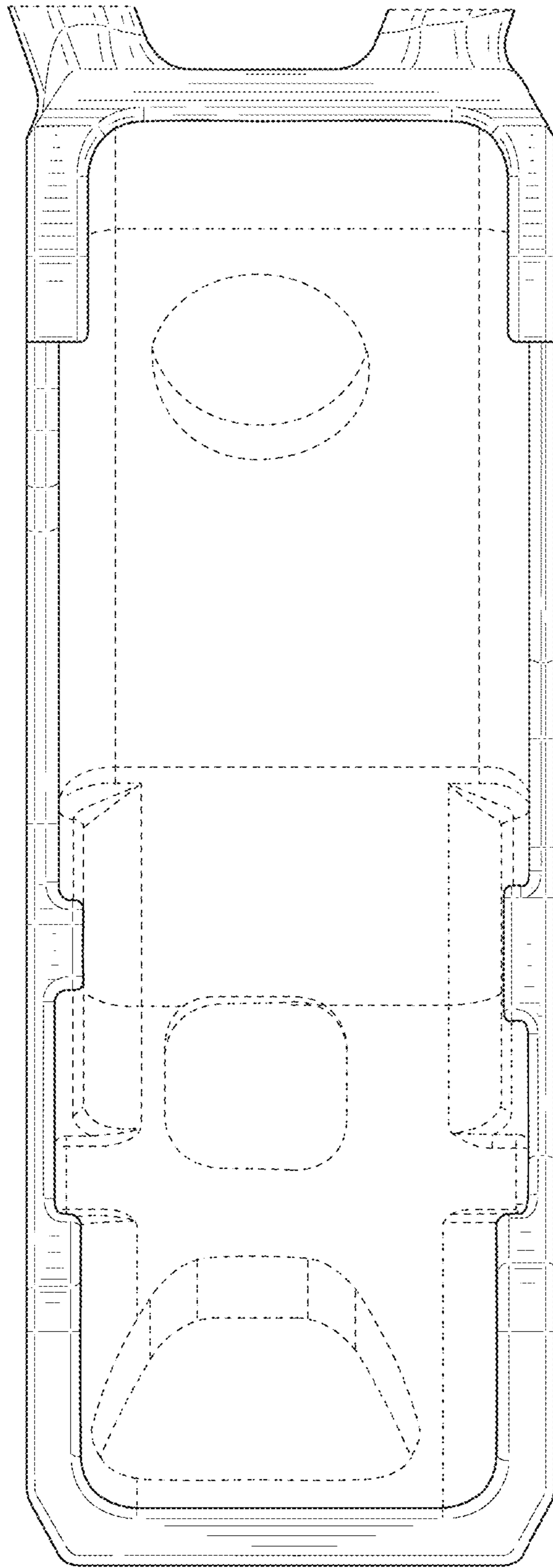


FIG. 7