



US00D906184S

(12) **United States Design Patent** (10) **Patent No.:** **US D906,184 S**
Liao (45) **Date of Patent:** **** Dec. 29, 2020**

- (54) **ELECTRIC BALANCE BIKE**
- (71) Applicant: **HSIN LUNG ACCESSORIES CO., LTD.**, Hsin-Chu Hsien (TW)
- (72) Inventor: **Xue-Sen Liao**, Hsin-Chu Hsien (TW)
- (73) Assignee: **HSIN LUNG ACCESSORIES CO., LTD.**, Hsin-Chu Hsien (TW)
- (**) Term: **15 Years**
- (21) Appl. No.: **29/697,452**
- (22) Filed: **Jul. 9, 2019**
- (51) **LOC (12) Cl.** **12-11**
- (52) **U.S. Cl.**
USPC **D12/111**
- (58) **Field of Classification Search**
USPC D12/111, 117; D21/412, 414, 419,
D21/423-428, 431-435
CPC B62K 3/00; B62K 3/02; B62K 3/06
See application file for complete search history.

(56) **References Cited**

U.S. PATENT DOCUMENTS

D504,845 S *	5/2005	Coerschulte	D12/111
D537,758 S *	3/2007	Grepper	D12/111
D567,149 S *	4/2008	Grepper	D12/111
D597,147 S *	7/2009	Verlinden	D21/424
D629,049 S *	12/2010	McFarland	B62K 3/10 D21/419
D659,597 S *	5/2012	Chen	B62K 9/00 D12/111
8,191,931 B1 *	6/2012	Mulder	B62K 19/14 280/828
8,414,007 B2 *	4/2013	Chen	B62K 9/00 280/278
D695,847 S *	12/2013	Liu	D21/432
8,746,720 B2 *	6/2014	Liao	B62M 1/16 280/244
8,794,654 B1 *	8/2014	Chen	B62K 9/00 280/287

D729,700 S *	5/2015	De Roeck	D12/111
D735,620 S *	8/2015	Pape	B62K 9/00 D12/111
D739,308 S *	9/2015	Barnaby Latham	D12/111
D797,201 S *	9/2017	Wu	D21/432
D803,728 S *	11/2017	Kamler	D12/111
D825,395 S *	8/2018	Gafni	D12/111
D828,786 S *	9/2018	Baker	D12/111

(Continued)

OTHER PUBLICATIONS

“STACYC Electric Balance Bike.” *Dirt Rider.*, Apr. 4, 2017 [online], [retrieved on Oct. 9, 2020]. Retrieved from the Internet <URL: <https://www.dirtrider.com/stacyc-electric-balance-bike/#:~:text=STACYC%E2%84%A2%20is%20the%20first,children%20to%20learn%20to%20ride.&text=Through%20the%20>>.*

(Continued)

Primary Examiner — Darlington Ly
(74) *Attorney, Agent, or Firm* — Demian K. Jackson;
Jackson IPG PLLC

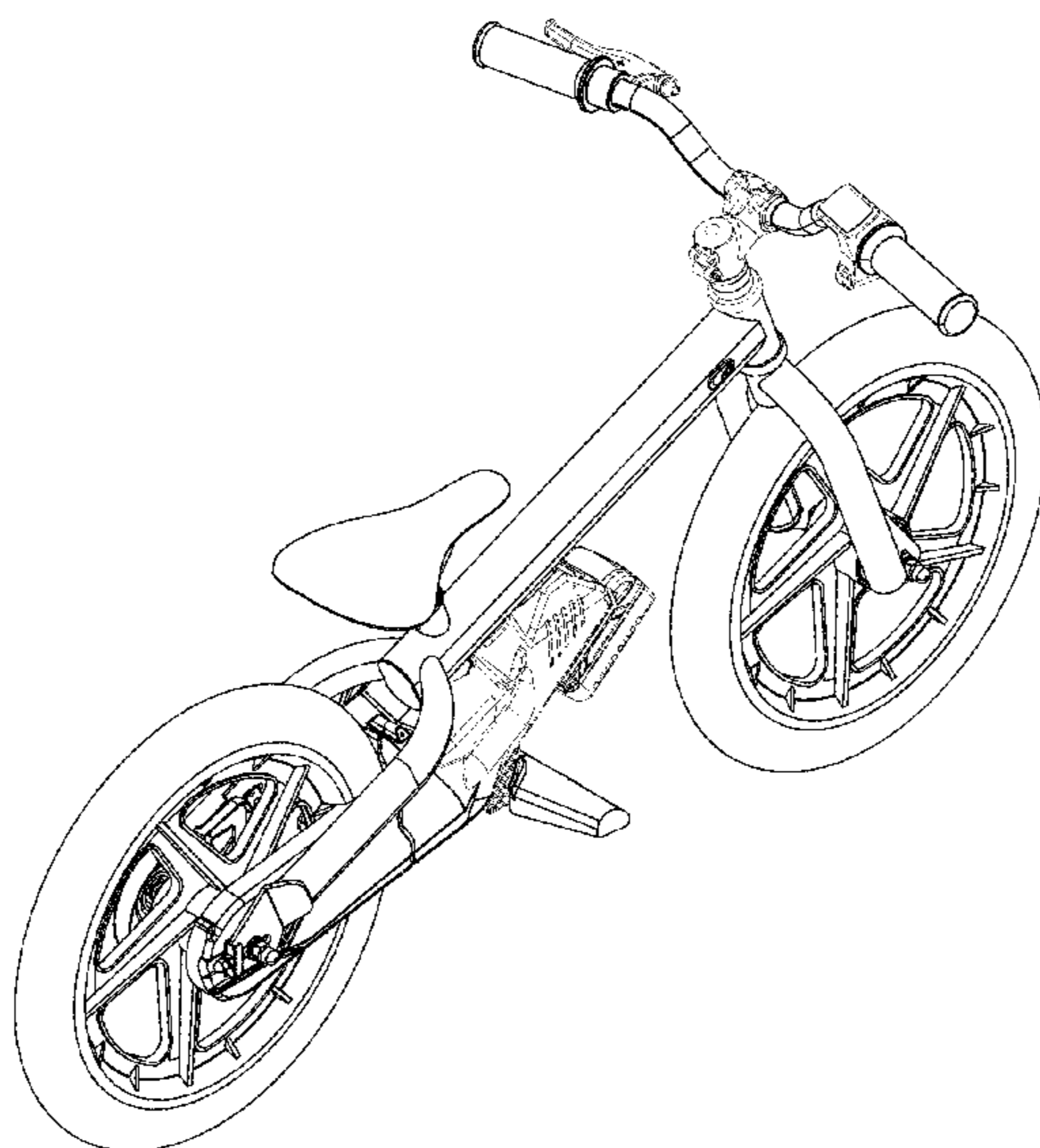
(57) **CLAIM**

The ornamental design for an electric balance bike, as shown and described.

DESCRIPTION

FIG. 1 is a top, rear, and right side perspective view of an electric balance bike embodying my new design;
FIG. 2 is a right side elevation view thereof;
FIG. 3 is a left side elevation view thereof;
FIG. 4 is a rear elevation view thereof;
FIG. 5 is a front elevation view thereof;
FIG. 6 is a top plan view thereof;
FIG. 7 is a bottom plan view thereof;
FIG. 8 is an enlarged and partial bottom perspective view thereof; and,
FIG. 9 is an enlarged and partial top perspective view thereof.

1 Claim, 9 Drawing Sheets



(56)

References Cited

U.S. PATENT DOCUMENTS

D840,876 S * 2/2019 De Roeck D12/111
D864,796 S * 10/2019 Grossjohann D12/111
2013/0020777 A1* 1/2013 Chen B62K 9/00
280/87.021
2013/0082452 A1* 4/2013 Liao B62M 1/16
280/234
2014/0077470 A1* 3/2014 Chen B62K 9/00
280/87.05
2020/0148302 A1* 5/2020 Gatto B62M 3/08

OTHER PUBLICATIONS

Loz Blain. "Harley-Davidson is making electric balance bikes for 3-year-olds—no kidding." New Atlas., Aug. 21, 2019 [online], [retrieved on Oct. 9, 2020]. Retrieved from the Internet <URL: <https://newatlas.com/harley-davidson-electric-balance-bikes-irone12-irone16/61145/>>.*

"The 2019 New Arrival!! Astrol E-Balance Bike!!!!!" Dirt Rider., Oct. 2019 [online], [retrieved on Oct. 9, 2020]. Retrieved from the Internet <URL: <https://www.picuki.com/media/2010821372918814519>>.*

Janaki Jitchotvisut. "KTM Introduces Factory Replica StaCyc Electric Bal." Dirt Rider., Jun. 24, 2020 [online], [retrieved on Oct. 9, 2020]. Retrieved from the Internet <URL: <https://www.rideapart.com/articles/430569/ktm-stacyc-electric-balance-bikes-introduced/>>.*

* cited by examiner

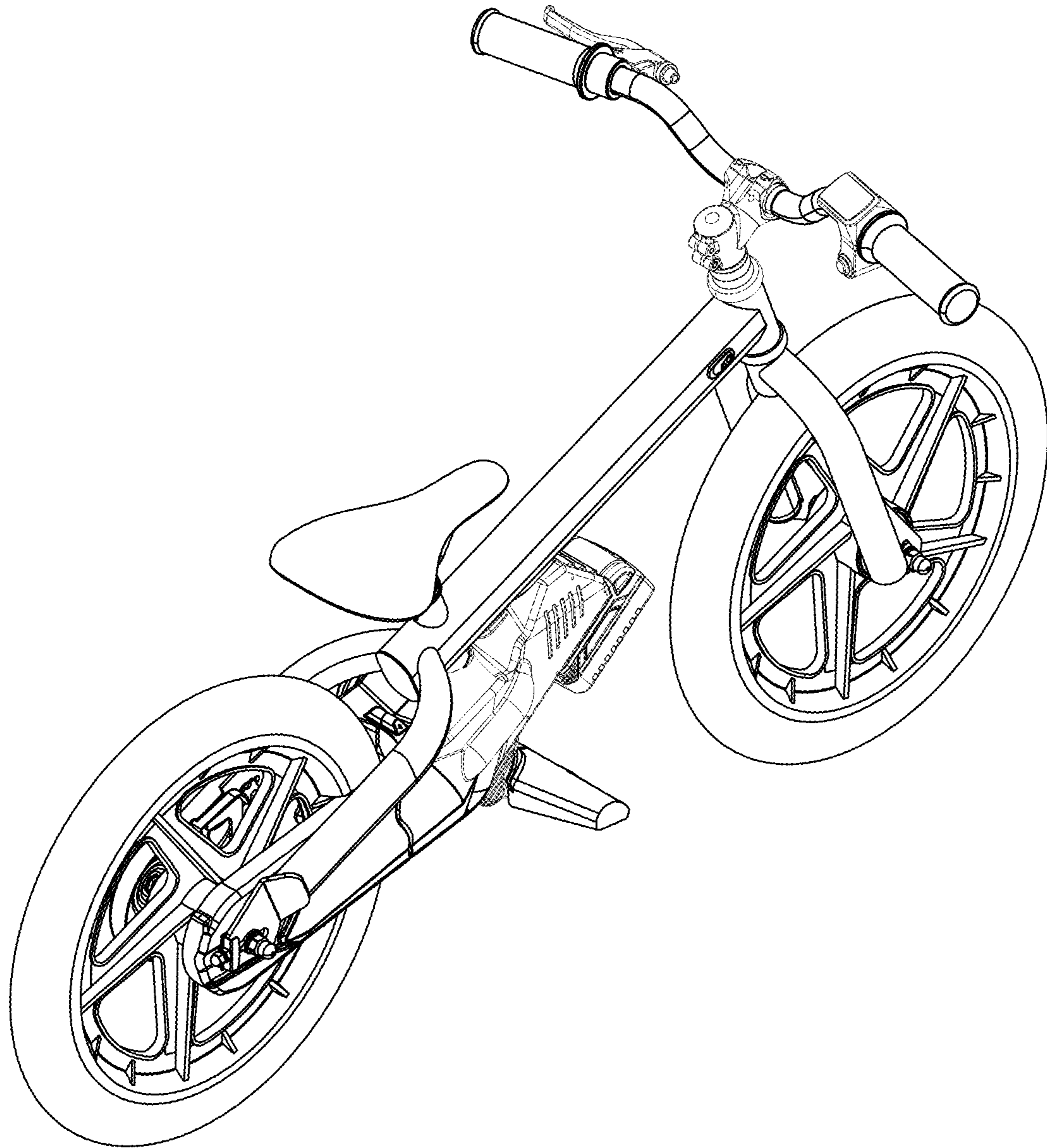


FIG. 1

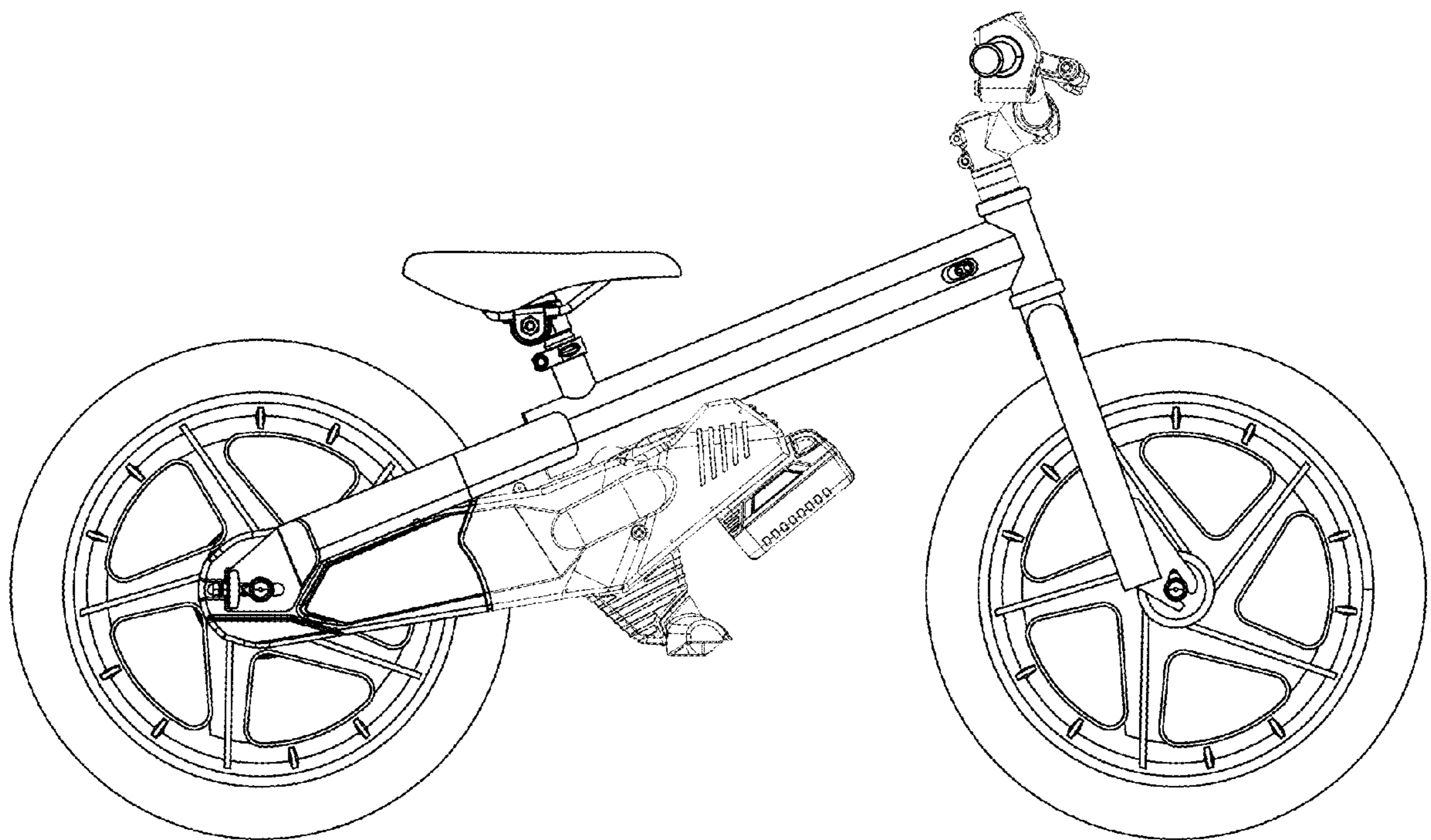


FIG.2

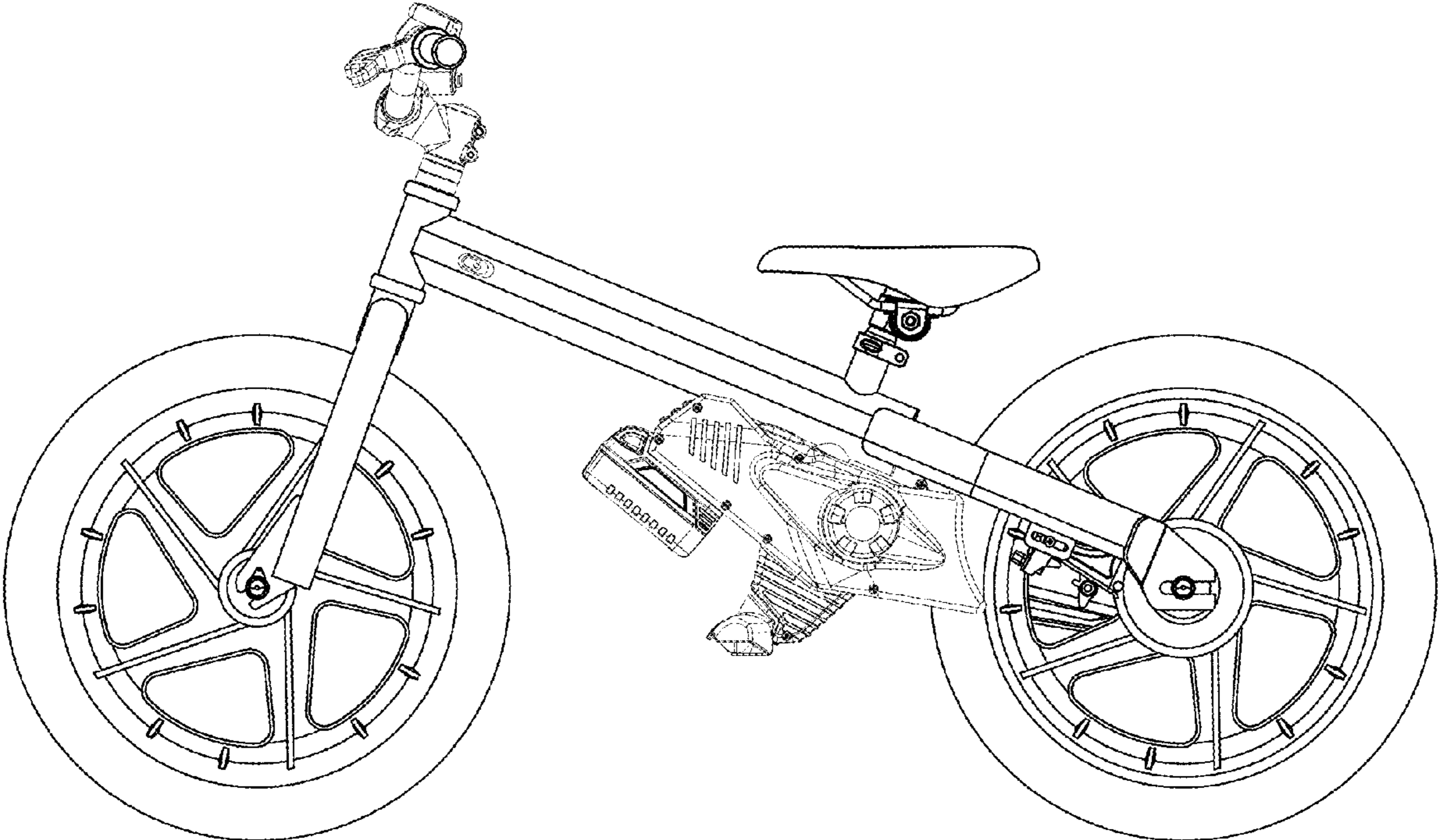


FIG.3

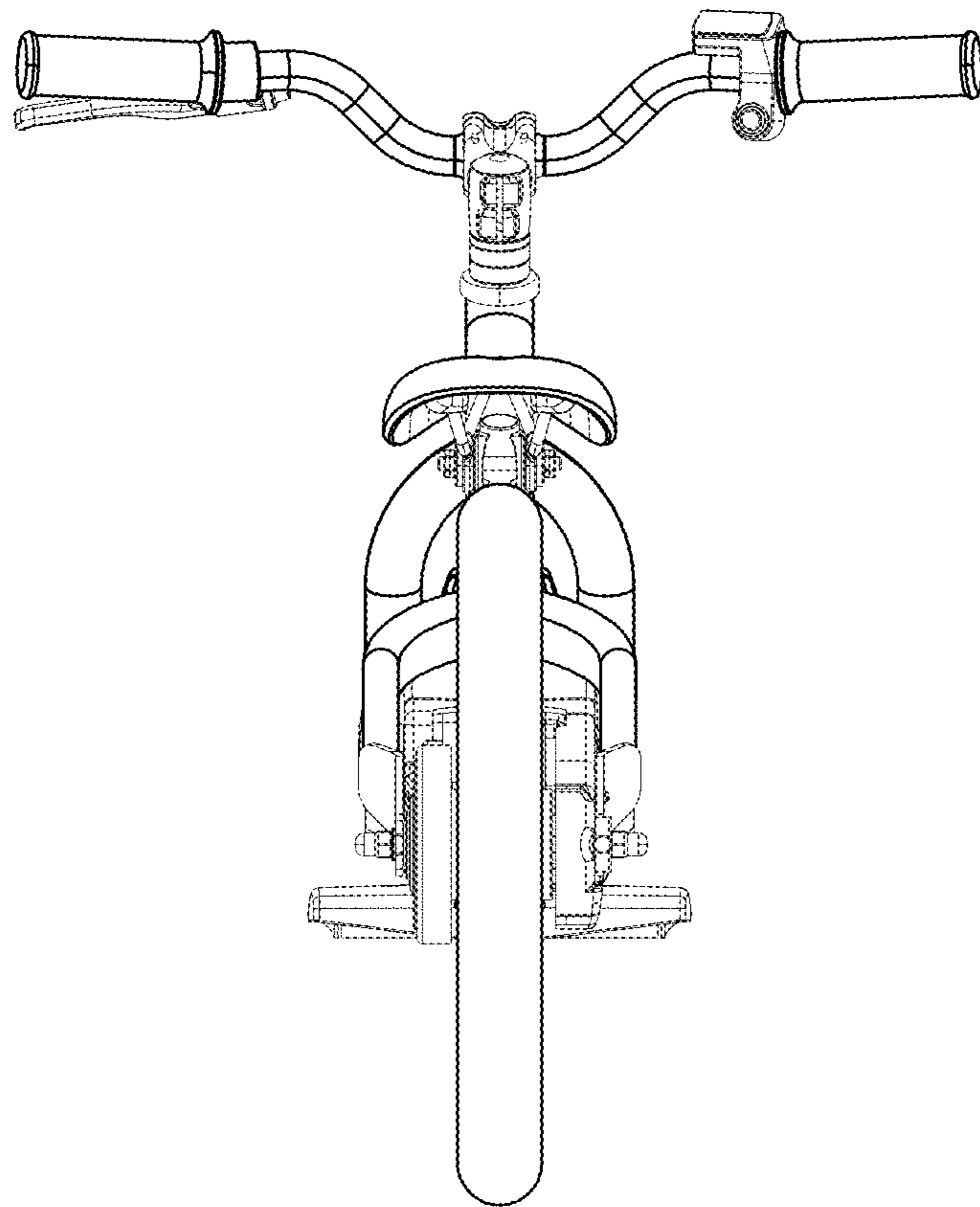


FIG.4

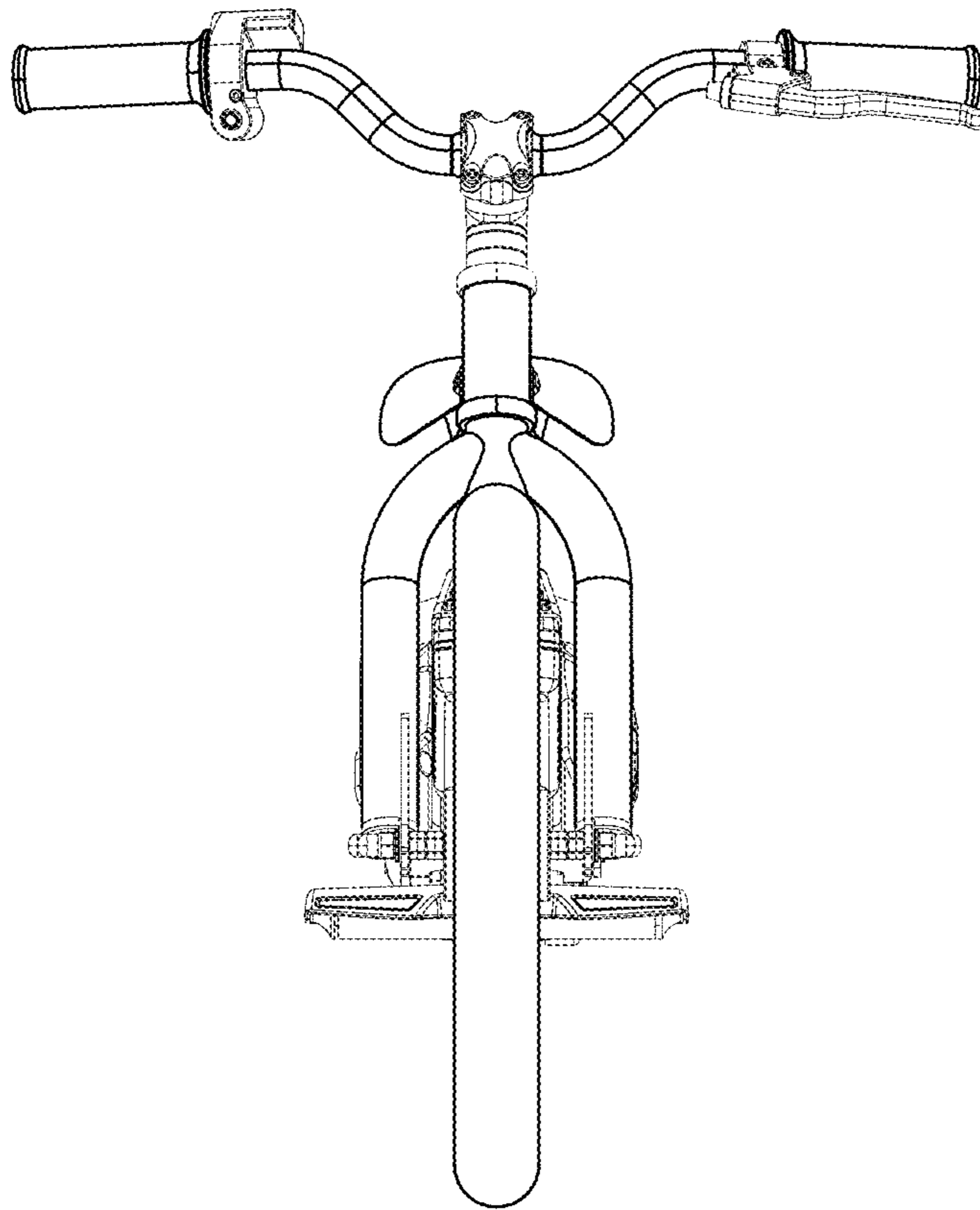


FIG.5

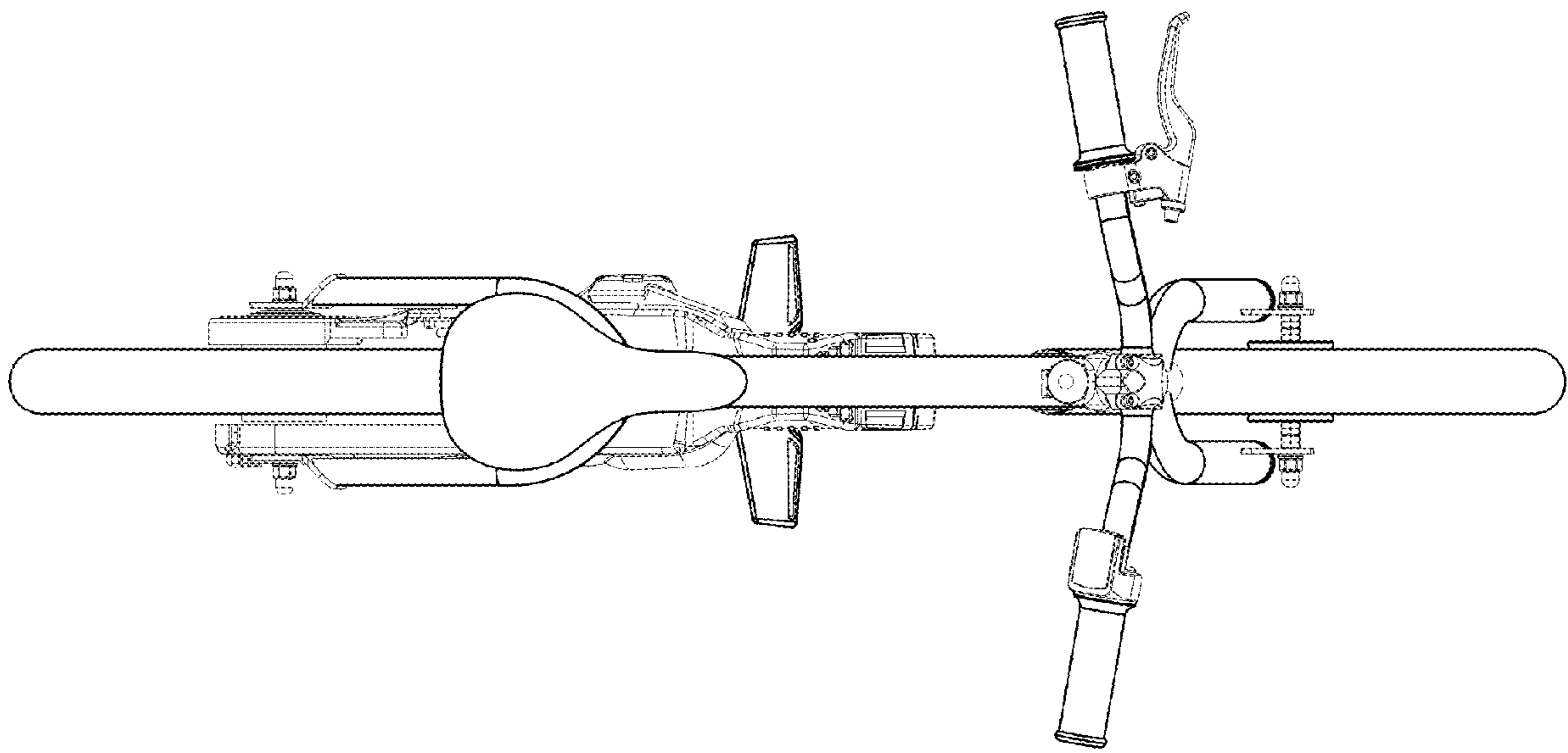


FIG.6

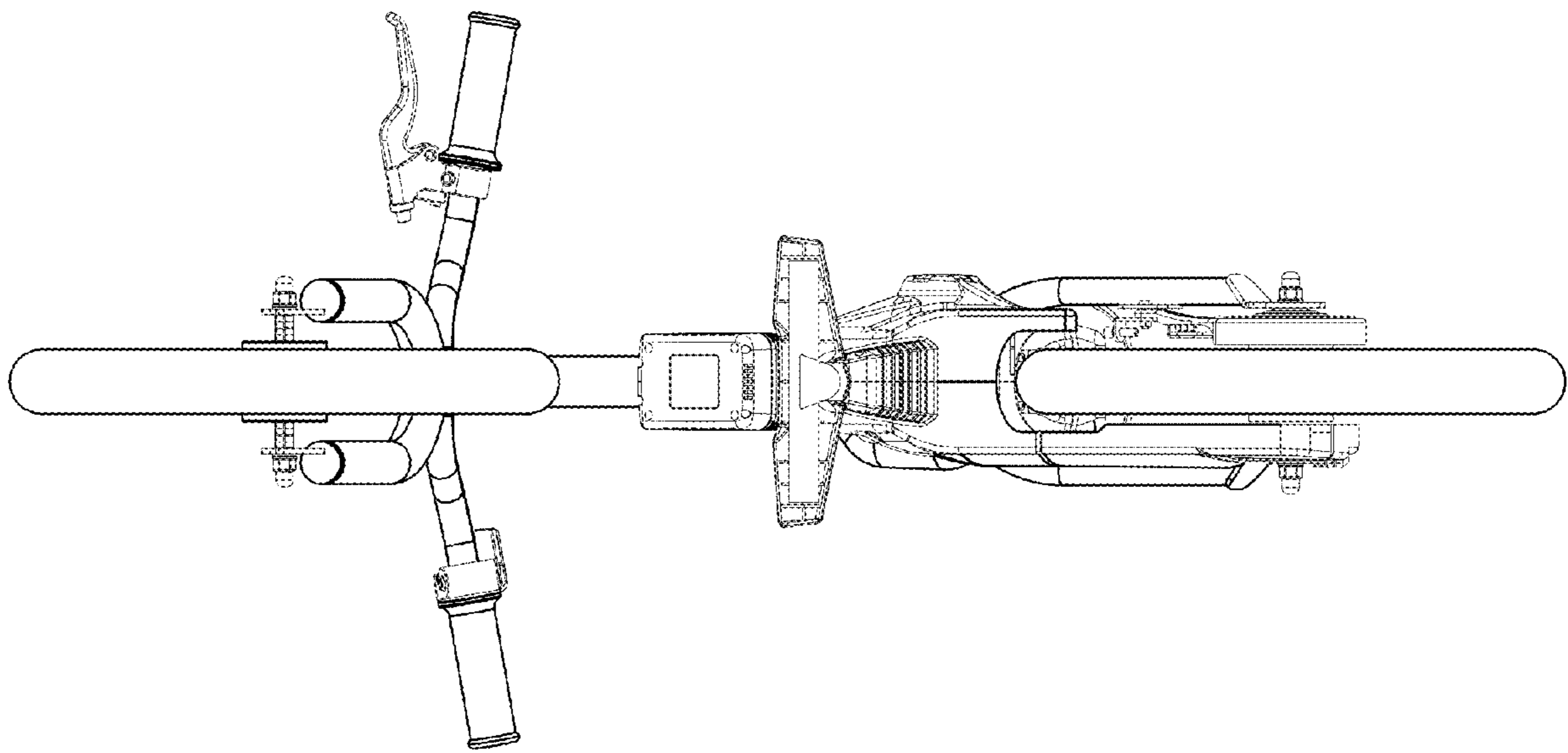


FIG.7

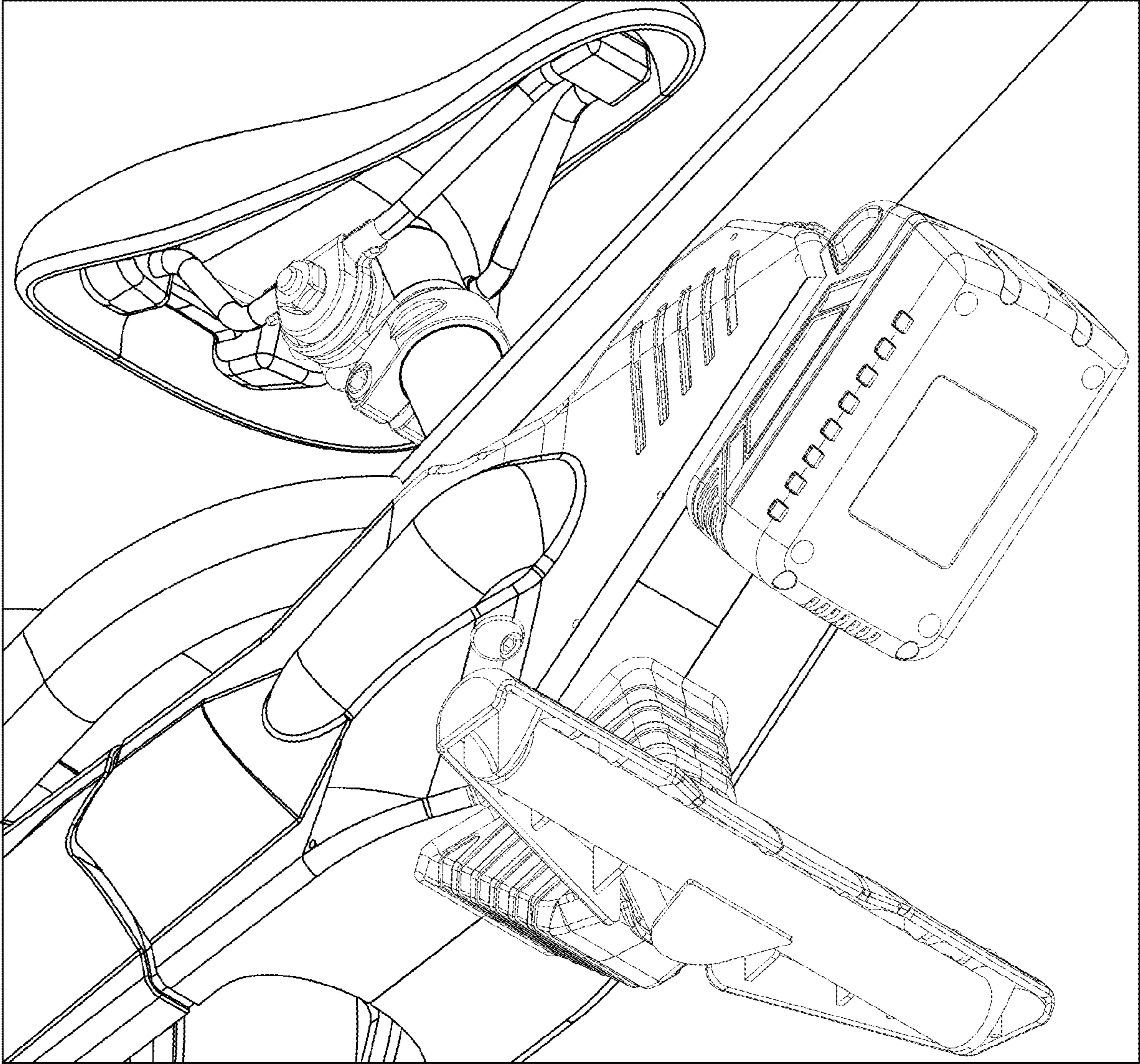


FIG.8

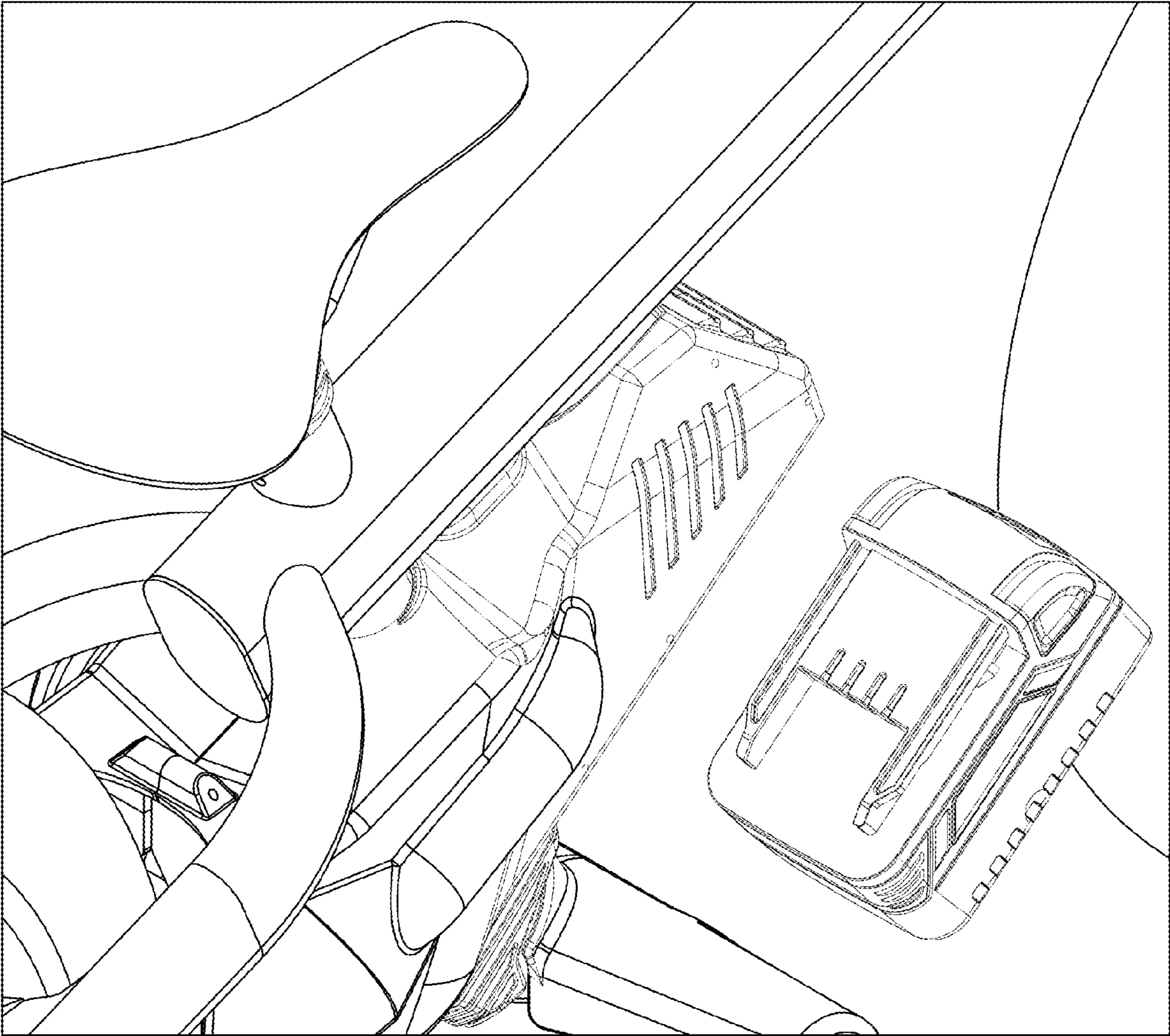


FIG.9