



US00D906183S

(12) **United States Design Patent**  
**Uimonen et al.**

(10) **Patent No.:** **US D906,183 S**

(45) **Date of Patent:** **\*\* Dec. 29, 2020**

(54) **BIKE FRAME**

(71) Applicant: **MOBILITY HOLDINGS, LIMITED,**  
Causeway Bay (HK)

(72) Inventors: **Joakim Uimonen,** Causeway Bay  
(HK); **Eric Yi-Hung Lin,** Causeway  
Bay (HK)

(73) Assignee: **MOBILITY HOLDINGS, LIMITED,**  
Causeway Bay (HK)

(\*\*) Term: **15 Years**

(21) Appl. No.: **29/663,380**

(22) Filed: **Sep. 14, 2018**

(51) **LOC (12) Cl.** ..... **12-11**

(52) **U.S. Cl.**

USPC ..... **D12/111**

(58) **Field of Classification Search**

USPC ..... D12/111, 107, 114, 117, 126, 127, 159;  
D21/419, 424, 427, 432, 663, 664, 666,  
D21/697

CPC . B62K 3/00; B62K 3/005; B62K 3/02; B62K  
3/04; B62K 11/00; B62K 11/02; B62K  
11/10; B62K 11/14; B62K 21/12; B62K  
21/16; B62K 21/26; B62K 21/02; B62K  
21/04; B62K 21/06; B62K 9/02; B62K  
15/006; B62K 2201/04; B62K 19/02;  
B62K 19/08; B62K 19/16; B62K 25/04;  
B62K 25/08; B62K 25/16; B62K 25/30

See application file for complete search history.

(56) **References Cited**

**U.S. PATENT DOCUMENTS**

D123,377 S \* 11/1940 Anderson ..... D12/111  
2,855,219 A \* 10/1958 Douglas ..... B62K 3/10  
280/281.1

D195,019 S \* 4/1963 Schreckengost ..... D12/111  
D235,249 S \* 6/1975 Kitsuda ..... D12/111  
D593,457 S \* 6/2009 Talavasek ..... D12/111  
D721,014 S \* 1/2015 Kahler, Jr. .... D12/111  
2014/0042726 A1\* 2/2014 Canfield ..... B62K 25/30  
280/284

**FOREIGN PATENT DOCUMENTS**

CN 201330175568 \* 5/2013  
CN 201430099049 \* 4/2014

\* cited by examiner

*Primary Examiner* — Sheryl Lane

*Assistant Examiner* — Samantha N Wood

(74) *Attorney, Agent, or Firm* — Muncy, Geissler, Olds &  
Lowe, P.C.

(57) **CLAIM**

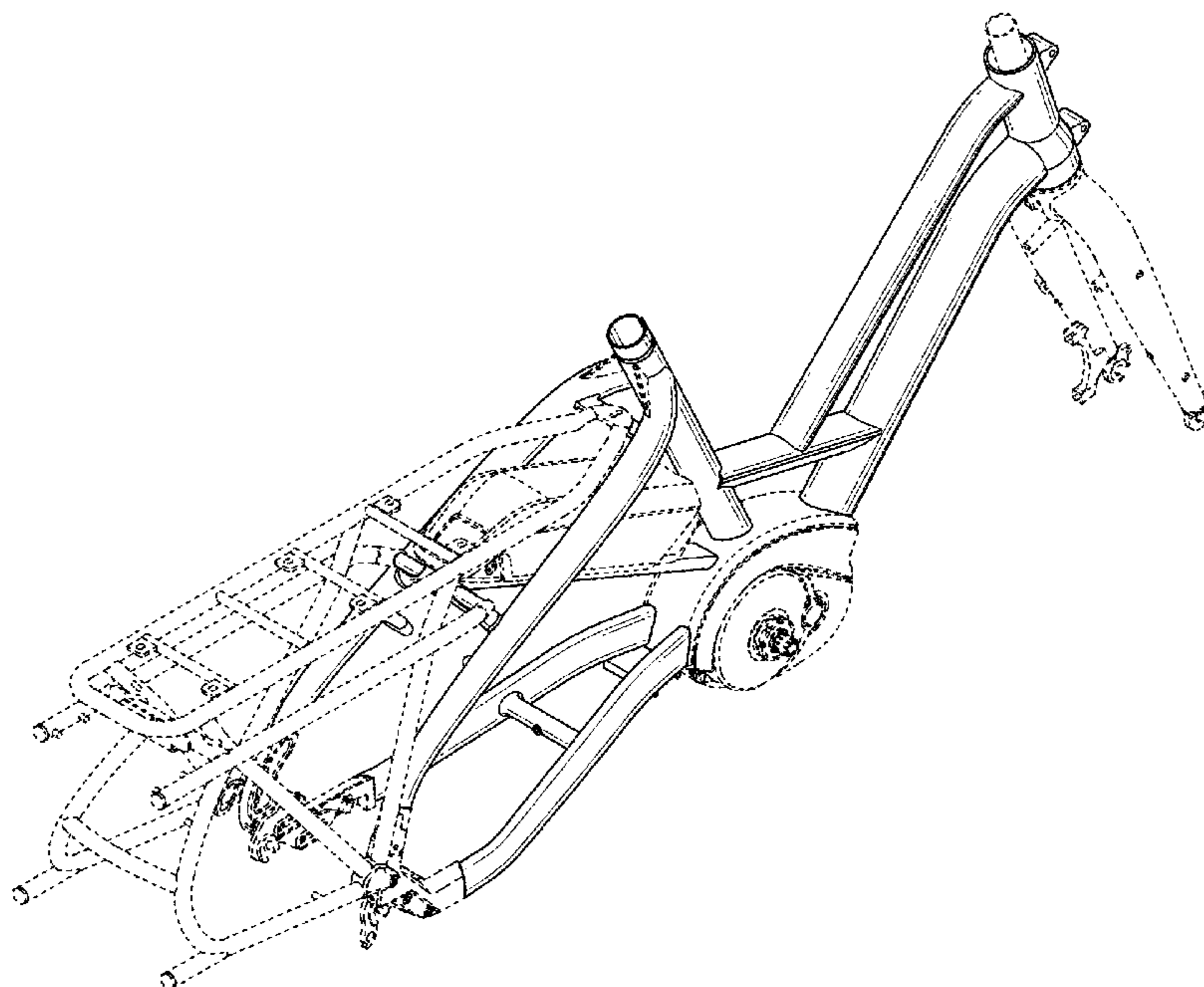
The ornamental design for a bike frame, as shown and  
described.

**DESCRIPTION**

FIG. 1 is a perspective view of a bike frame in accordance  
to one embodiment of the new design;  
FIG. 2 is a front view thereof;  
FIG. 3 is a rear view thereof;  
FIG. 4 is a left view thereof;  
FIG. 5 is a right view thereof;  
FIG. 6 is a top view thereof; and,  
FIG. 7 is a bottom view thereof.

The broken lines showing portions in the drawings are for  
illustrative purposes only and form no part of the claimed  
design.

**1 Claim, 5 Drawing Sheets**



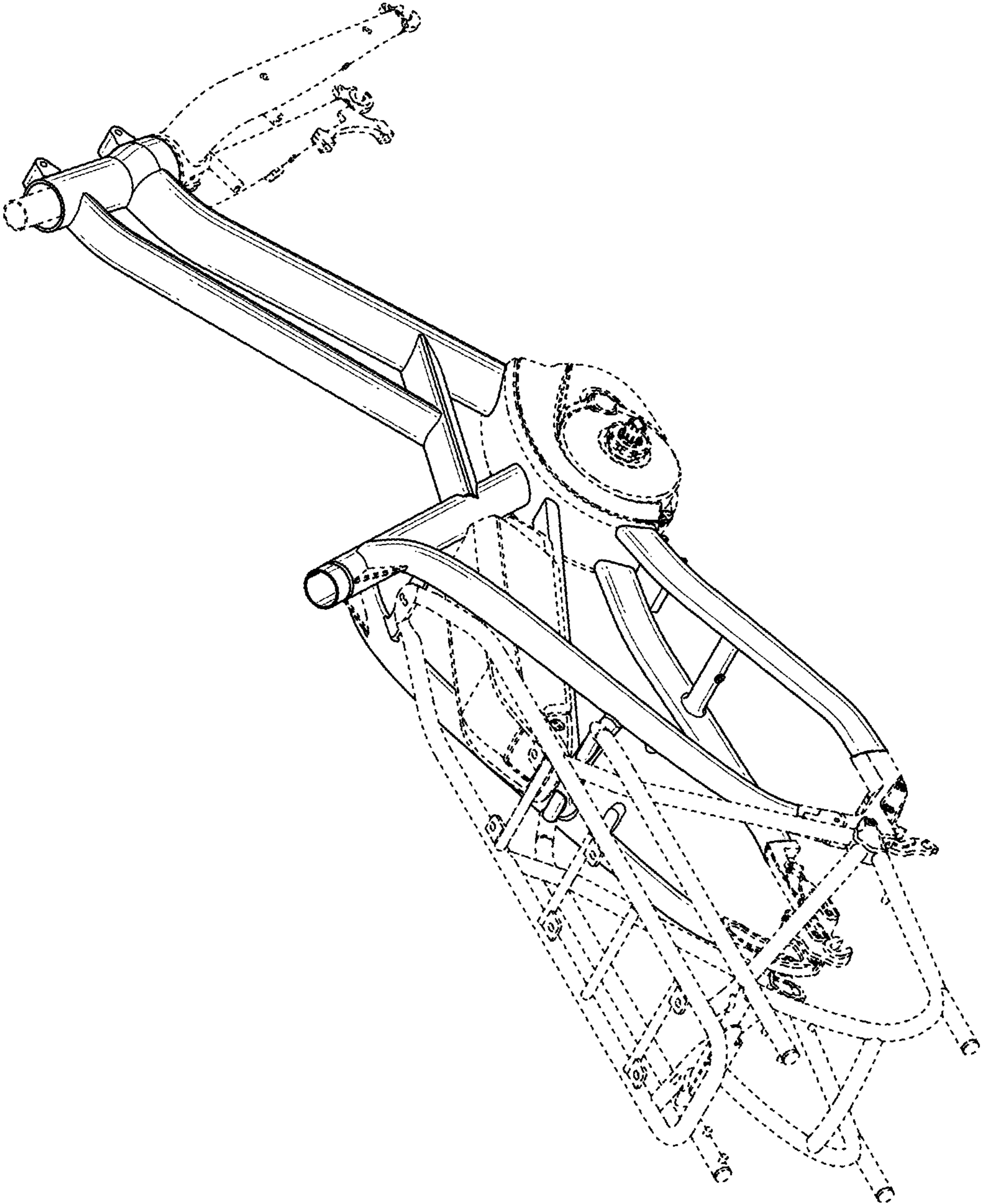


FIG. 1

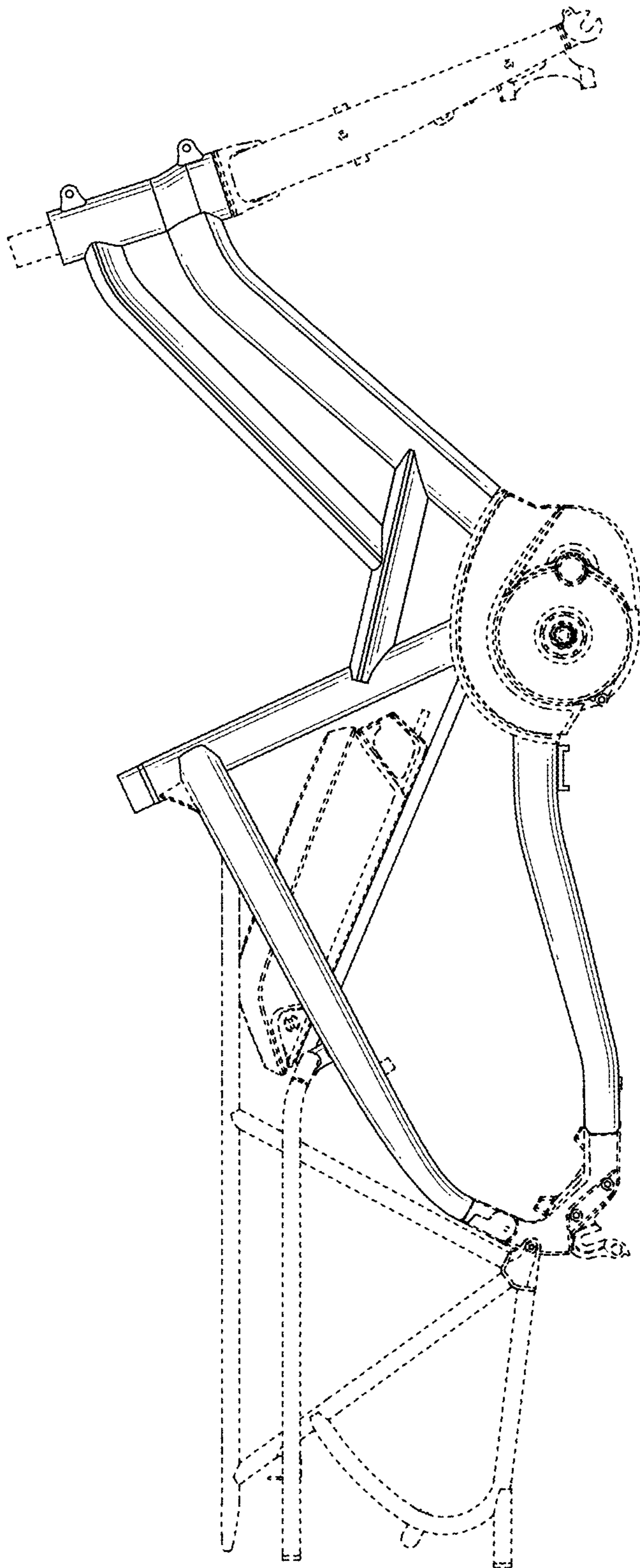


FIG. 2



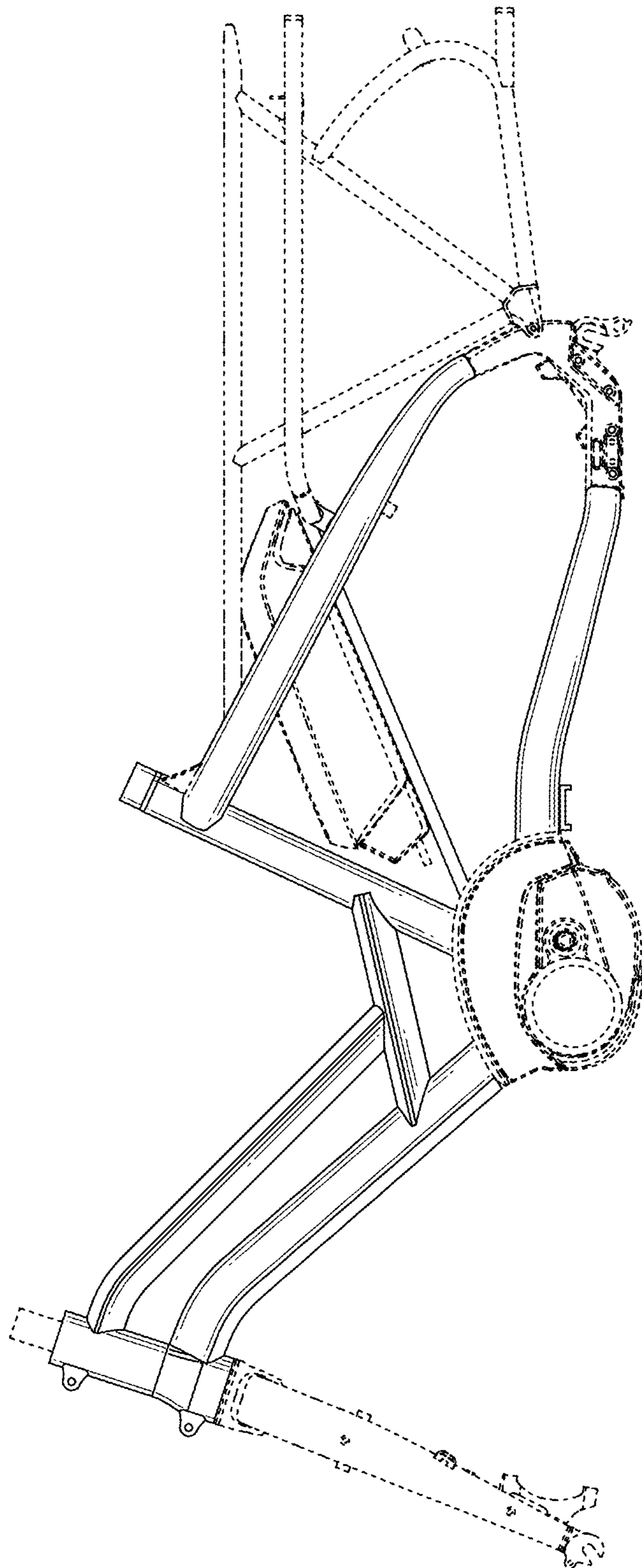


FIG. 3

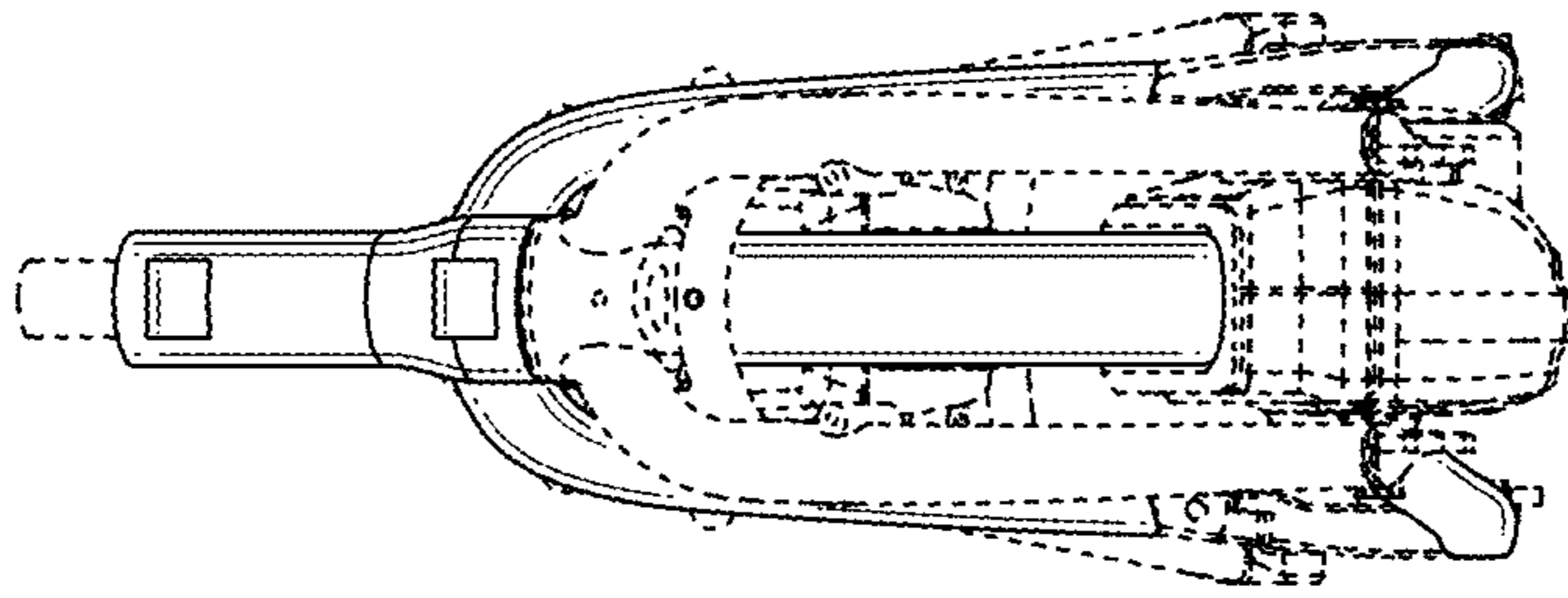


FIG. 5

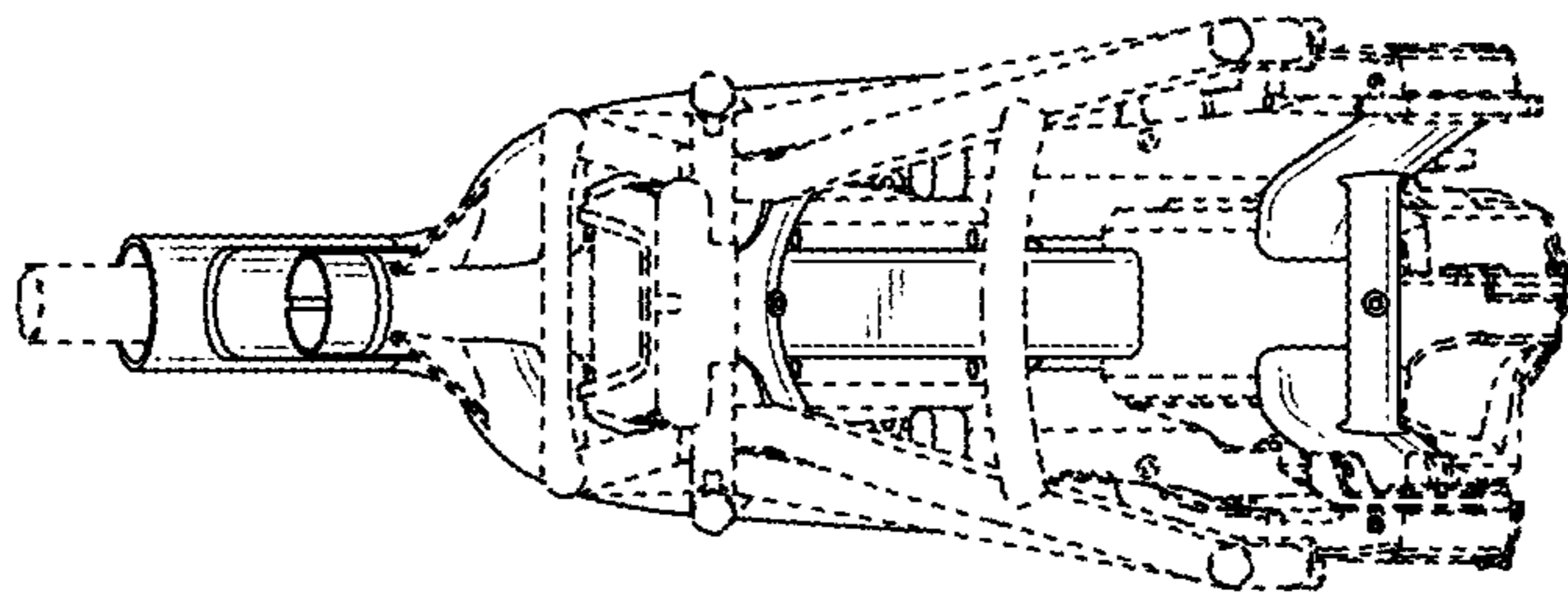


FIG. 4

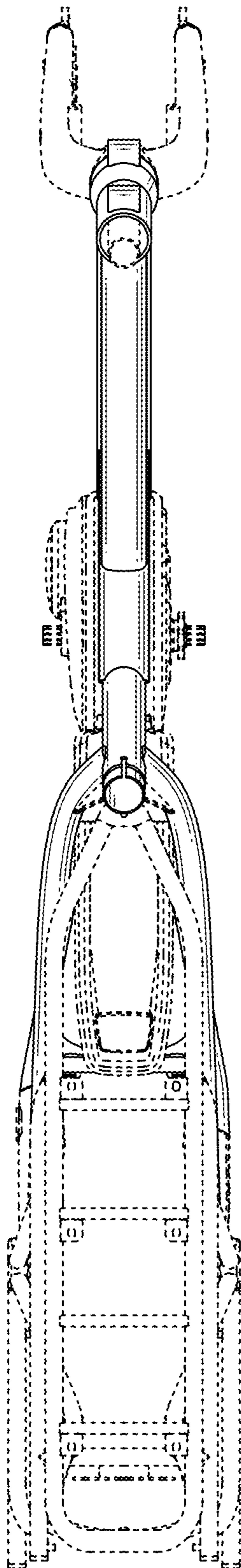


FIG. 6

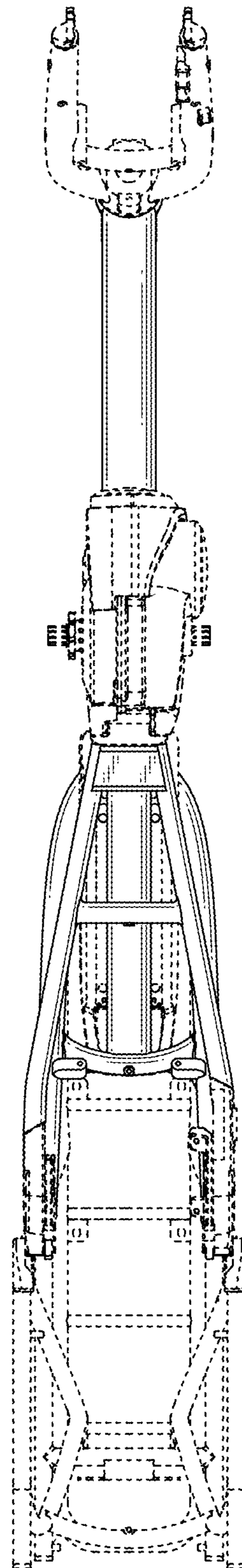


FIG. 7