



US00D906182S

(12) **United States Design Patent** (10) **Patent No.:** **US D906,182 S**
Song et al. (45) **Date of Patent:** **** Dec. 29, 2020**

(54) **MOTORCYCLE**
(71) Applicant: **Indian Motorcycle International, LLC, Medina, MN (US)**
(72) Inventors: **Michael M. Song, Maple Grove, MN (US); Gregory C. Brew, Minnetonka, MN (US)**
(73) Assignee: **Indian Motorcycle International, LLC, Medina, MN (US)**

D372,442 S * 8/1996 Kitagawa D12/110
5,608,957 A 3/1997 Hanagan
D388,366 S 12/1997 Nishino
D391,527 S * 3/1998 Maruyama D12/110
5,839,536 A 11/1998 Tanaka
D406,801 S * 3/1999 Robb D12/110
D416,215 S 11/1999 Hanlon et al.
6,007,150 A 12/1999 Clerkin et al.
6,068,075 A 5/2000 Saiki
D426,174 S * 6/2000 Sofue D12/110
6,203,093 B1 3/2001 Suzuki et al.
D442,892 S 5/2001 Timmermann
6,223,960 B1 5/2001 Powell et al.

(**) Term: **15 Years**

(Continued)

(21) Appl. No.: **29/670,062**
(22) Filed: **Nov. 13, 2018**
(51) **LOC (12) Cl.** **12-11**
(52) **U.S. Cl.**
USPC **D12/110**
(58) **Field of Classification Search**
USPC D12/110, 111, 117; D21/432, 538
CPC B62K 11/00; B62K 11/02; B62K 11/04;
B62K 11/10; B62K 17/00; B62K 19/00;
B62K 2202/00
See application file for complete search history.

OTHER PUBLICATIONS

Victory Motorcycle 2005 Models, 20 pages. [Retrieved on Oct. 15, 2009]. Retrieved from the Internet <URL: <http://www.bikemet.com/news/PageViewer.asp?PageID=246>>.

(Continued)

Primary Examiner — Darlington Ly
(74) *Attorney, Agent, or Firm* — Faegre Drinker Biddle & Reath LLP

(57) **CLAIM**

The ornamental design for a motorcycle, as shown and described.

(56) **References Cited**

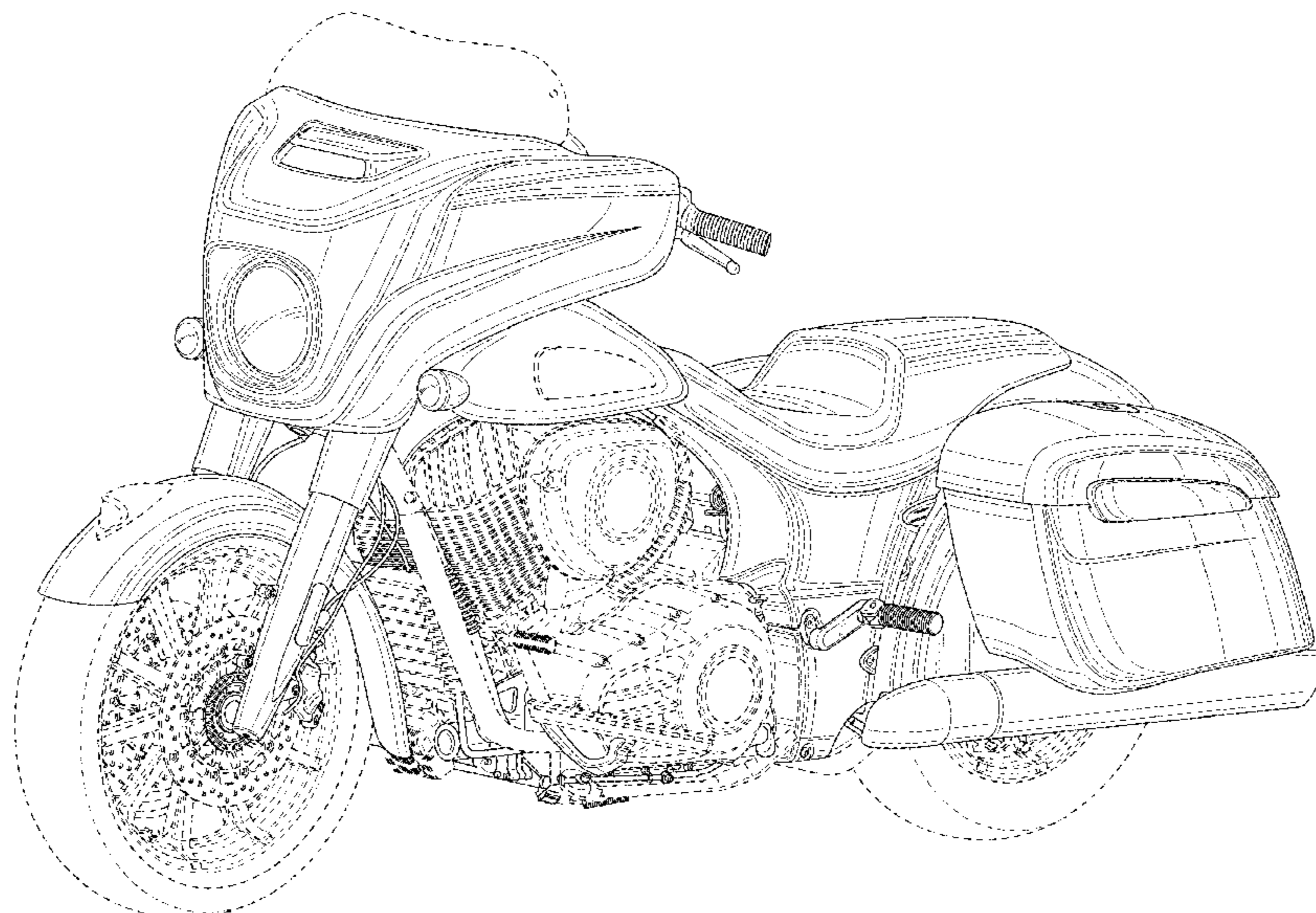
U.S. PATENT DOCUMENTS

2,755,873 A 7/1956 Hermann
3,866,946 A 2/1975 Robison
3,935,445 A 1/1976 Preisler
D242,031 S 10/1976 Till et al.
4,260,170 A 4/1981 Terai et al.
4,580,706 A 4/1986 Jackson et al.
4,615,556 A 10/1986 Stahel
4,624,470 A 11/1986 Love
4,793,293 A 12/1988 Minami
4,887,687 A 12/1989 Asai et al.
5,025,883 A 6/1991 Morinaka et al.
5,107,949 A 4/1992 Gotoh et al.
D361,311 S 8/1995 Lindby

DESCRIPTION

FIG. 1 is a top, front, and left side perspective view of a motorcycle showing our new design;
FIG. 2 is a front elevation view thereof;
FIG. 3 is a rear elevation view thereof;
FIG. 4 is a right side elevation view thereof;
FIG. 5 is a left side elevation view thereof; and,
FIG. 6 is a top plan view thereof.
The broken lines in the drawings illustrate portions of the motorcycle that form no part of the claimed design.

1 Claim, 6 Drawing Sheets



(56)

References Cited

U.S. PATENT DOCUMENTS

6,224,081 B1 5/2001 Wayman et al.
 6,234,266 B1 5/2001 Saiki
 D444,419 S * 7/2001 Kamata D12/110
 6,276,482 B1 8/2001 Moriya et al.
 D447,985 S 9/2001 Ino et al.
 6,293,606 B1 * 9/2001 Jarosz B62J 17/04
 296/78.1
 6,394,214 B1 5/2002 Hahm
 6,419,039 B1 7/2002 Wagner
 6,481,522 B1 11/2002 Adachi
 6,484,855 B1 11/2002 Yaple
 D470,097 S 2/2003 Song
 D476,271 S * 6/2003 Abe D12/110
 6,619,415 B1 9/2003 Hasumi et al.
 D484,074 S 12/2003 Henneberry
 6,655,740 B1 12/2003 Hanagan
 6,796,030 B2 9/2004 Mochizuki et al.
 6,832,710 B2 12/2004 Galbraith et al.
 6,896,279 B2 5/2005 Galvagno
 6,951,417 B2 10/2005 Ito et al.
 6,969,083 B2 11/2005 Egan
 D513,719 S 1/2006 Egan
 6,991,290 B1 1/2006 Wiertzema
 D519,415 S * 4/2006 Hohdorf D12/110
 D530,244 S * 10/2006 Wilm D12/110
 7,207,470 B2 4/2007 Akita et al.
 7,278,560 B2 10/2007 Aron
 7,311,232 B2 12/2007 Watanabe et al.
 D567,715 S * 4/2008 Brew D12/110
 7,360,963 B1 4/2008 Burns
 D574,299 S * 8/2008 Kouchi D12/110
 D576,921 S 9/2008 Tong
 7,537,281 B2 5/2009 Riondato
 7,543,673 B2 6/2009 Lachapelle et al.
 D597,891 S * 8/2009 Andoh D12/110
 D605,088 S 12/2009 Tanaka et al.
 D605,982 S * 12/2009 Tanaka D12/110
 D615,000 S * 5/2010 Tako D12/110
 D624,853 S * 10/2010 Song D12/110
 D637,525 S * 5/2011 Sugimoto D12/110
 D640,606 S * 6/2011 Lai D12/110
 D656,068 S * 3/2012 Song D12/110
 D656,867 S * 4/2012 Uemoto D12/110
 D665,310 S * 8/2012 Hohdorf D12/110
 D666,531 S * 9/2012 Dunshee D12/110
 8,272,460 B2 9/2012 Song et al.
 D691,521 S * 10/2013 Dunshee D12/110
 D692,355 S * 10/2013 Tsuji D12/110
 D722,538 S * 2/2015 Song D12/110
 D723,429 S * 3/2015 Hohdorf D12/110
 D735,616 S * 8/2015 Tako D12/110
 D781,752 S * 3/2017 Cammorata D12/110
 9,643,674 B1 * 5/2017 Sato F02F 7/006
 D802,486 S * 11/2017 Mugikura D12/110
 2004/0164113 A1 8/2004 Thomas et al.
 2004/0206566 A1 10/2004 Katsura
 2005/0150703 A1 7/2005 Nakagome et al.
 2005/0150921 A1 7/2005 Schneider
 2005/0174787 A1 8/2005 Uemoto et al.
 2005/0257978 A1 11/2005 Sigfrid
 2007/0018420 A1 1/2007 Hoshi
 2007/0057484 A1 3/2007 Gilman
 2007/0151789 A1 7/2007 Bracy et al.
 2007/0240925 A1 10/2007 Kobayashi
 2008/0093146 A1 4/2008 Kobayashi
 2008/0169134 A1 7/2008 Tomolillo et al.
 2008/0169149 A1 7/2008 Holroyd et al.
 2008/0173122 A1 7/2008 Bagnariol
 2008/0190683 A1 8/2008 Hoeve
 2008/0203782 A1 8/2008 Bigolin
 2008/0246250 A1 10/2008 Lacour
 2009/0194351 A1 8/2009 Murasawa et al.
 2010/0012695 A1 1/2010 DeMilio
 2010/0025140 A1 2/2010 Takenaka et al.

2010/0025443 A1 2/2010 Racz et al.
 2010/0307852 A1 * 12/2010 Aramayo, II B62J 27/00
 180/219
 2010/0307853 A1 * 12/2010 Song B62K 11/00
 180/227
 2014/0131127 A1 * 5/2014 Hayama B62K 11/04
 180/219

OTHER PUBLICATIONS

Polaris Sales Inc., Victory the New American Motorcycle 2008 brochure, 2007, pp. 1-14, Medina, Minnesota, USA.
 Polaris Sales Inc., Victory the New American Motorcycle 2007 brochure, 2006, pp. 1-15, Medina, Minnesota, USA.
 Polaris Sales Inc., Victory Motorcycles 2005 The New American Motorcycle brochure, 2004, pp. 1-22, Medina, Minnesota, USA.
 Polaris Sales Inc., Victory 2006 brochure, 2005, pp. 1-28, Medina, Minnesota, USA.
 Polaris Sales Inc., Victory 2004 Accelerating the Art of the American Cruiser brochure, 2003, pp. 1-36, Medina, Minnesota, USA.
 Polaris Sales Inc., Celebrating 10 Years of Victory the New American Motorcycle 2009 brochure, 2008, pp. 1-16, Medina, Minnesota, USA.
 Photos of the Chief Vintage Indian Motorcycle, 1 page, copyright 2013, available at <http://www.indianmotorcycle.com/en-us/chief/chief-vintage-le/pages/photos-.aspx>, accessed on Aug. 23, 2013.
 Indian motorcycle on p. 1 of 2 from "Polaris purchases Indian Motorcycles, will compliment Victory brand", by Chris Shunk, posted Apr. 20, 2011. [Retrieved on Apr. 15, 2013]. Retrieved from the Internet <URL: <http://www.autoblog.com/2011/04/20/polaris-purchases-indian-motorcycles-will-complem...>>.
 Hinton, Touring With Less Vibration And More Power, Sep. 14, 2017, <https://www.topspeed.com/motorcycles/motorcycle-reviews/harley-davidson/2018-harley-davidson-street-glide-street-glide-special-ar177575.html>.
 Harley-Davidson, Genuine Motor Accessories, Adjustable Highway Peg Mounting Kit—Short Offset webpage, 1 page, (available at least as early as Jun. 3, 2009).
 Harley-Davidson, Genuine Motor Accessories, Adjustable Highway Peg Mounting Kit—Short Angled webpage, 1 page, (available at least as early as Jun. 3, 2009).
 Harley-Davidson, Genuine Motor Accessories, Adjustable Highway Peg Mounting Kit—Long Offset webpage, 1 page, (available at least as early as Jun. 3, 2009).
 Harley-Davidson, Genuine Motor Accessories, Adjustable Highway Peg Mounting Kit—Long Angled webpage, 1 page, (available at least as early as Jun. 3, 2009).
 Harley-Davidson, Genuine Motor Accessories, Adjustable Highway Peg Mounting Kit—360 Degrees webpage, 1 page, (available at least as early as Jun. 3, 2009).
 Harley-Davidson, FLHX Street Glide, 2008, 1 page.
 Harley-Davidson, FLHR Road King, 2008, 1 page.
 Harley-Davidson, FLH, 1 page, (available at least as early as Jun. 3, 2009).
 Design Examination Report issued by the Australian Government IP Australia, dated Feb. 10, 2020, for Australian Patent Application No. 201912566; 6 pages.
 Intermot: Indian debut 2019 Chieftains published on <https://www.motorcyclenews.com/news/new-bikes/2019-indian-chieftan/>; Oct. 2, 2018.
 Indian Motorcycle, published on <https://web.archive.org/web/2018019145603/https://www.indianmotorcycle.com/en-us/>, Oct. 19, 2018.
 2019 Indian Chieftan range, www.bikesales.com.au, published on <https://www.bikesales.com.au/editorial/details/2019-indian-chieftan-range-114526/>, Sep. 7, 2018.
 2019 Indian Chieftain Dark Horse Review, Youtube, published on https://www.youtube.com/watch?time_continue_2&v=3eHwIJRCvrg&feature=emb_logo, Sep. 25, 2018.

* cited by examiner

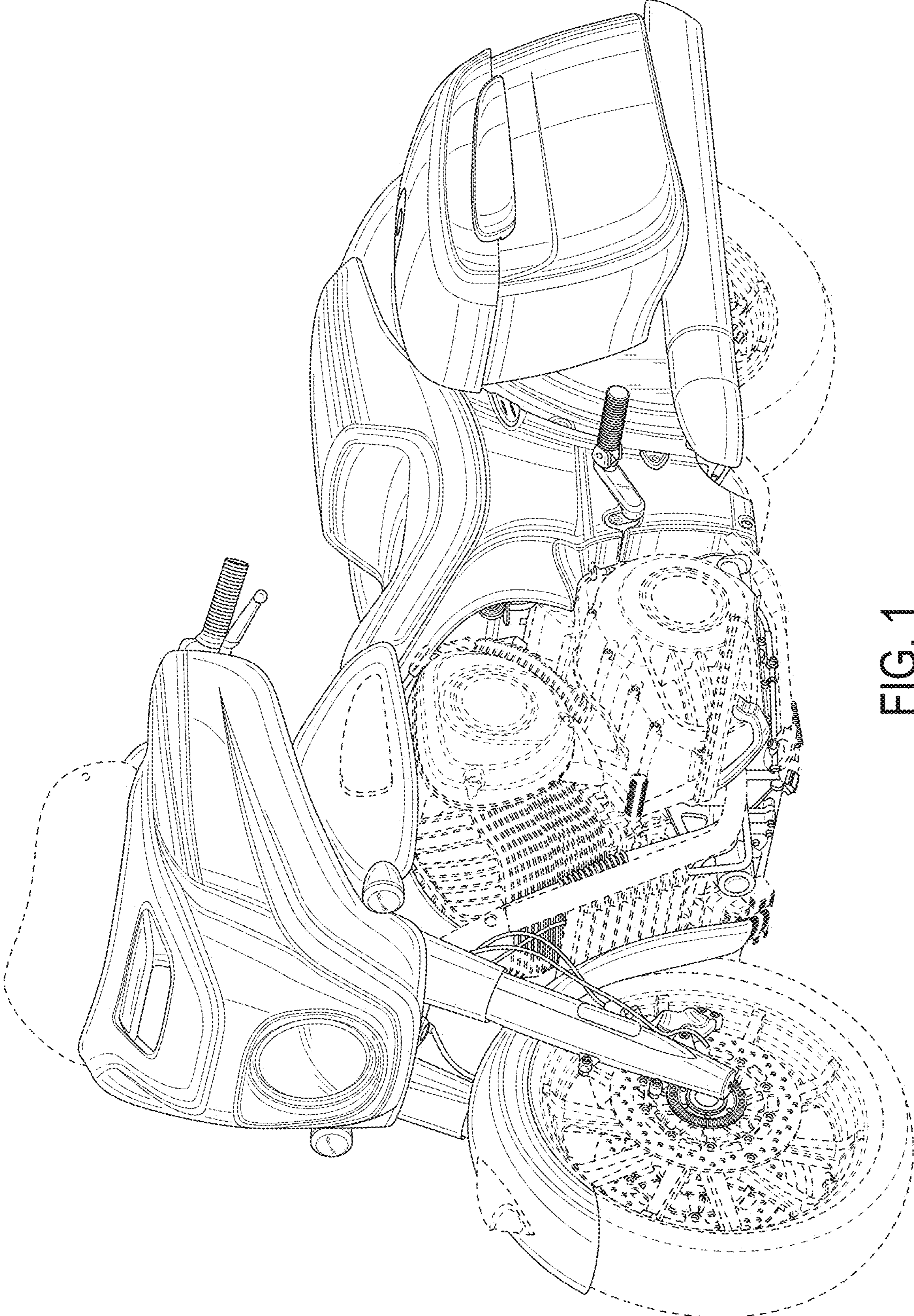


FIG. 1

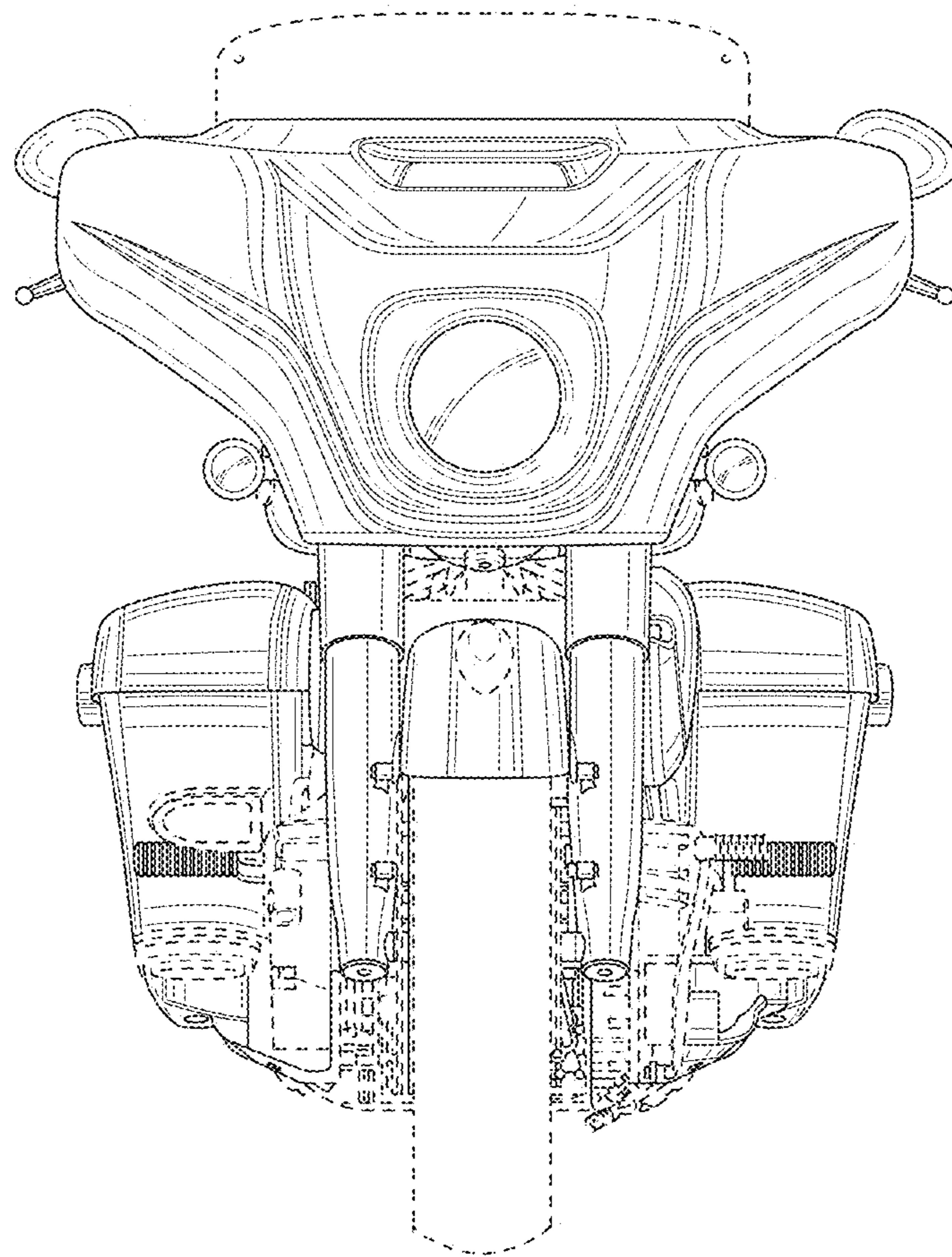


FIG. 2

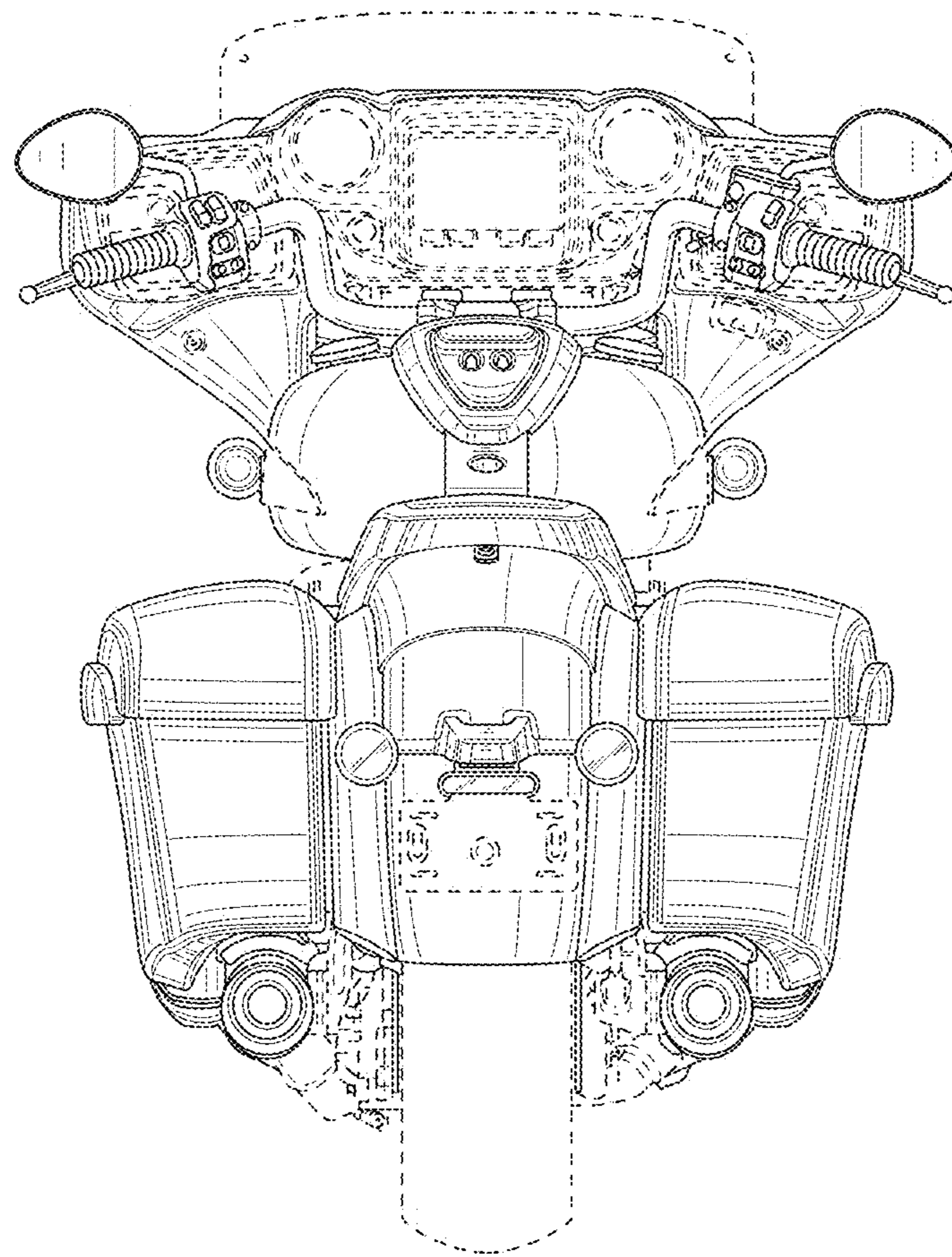


FIG. 3

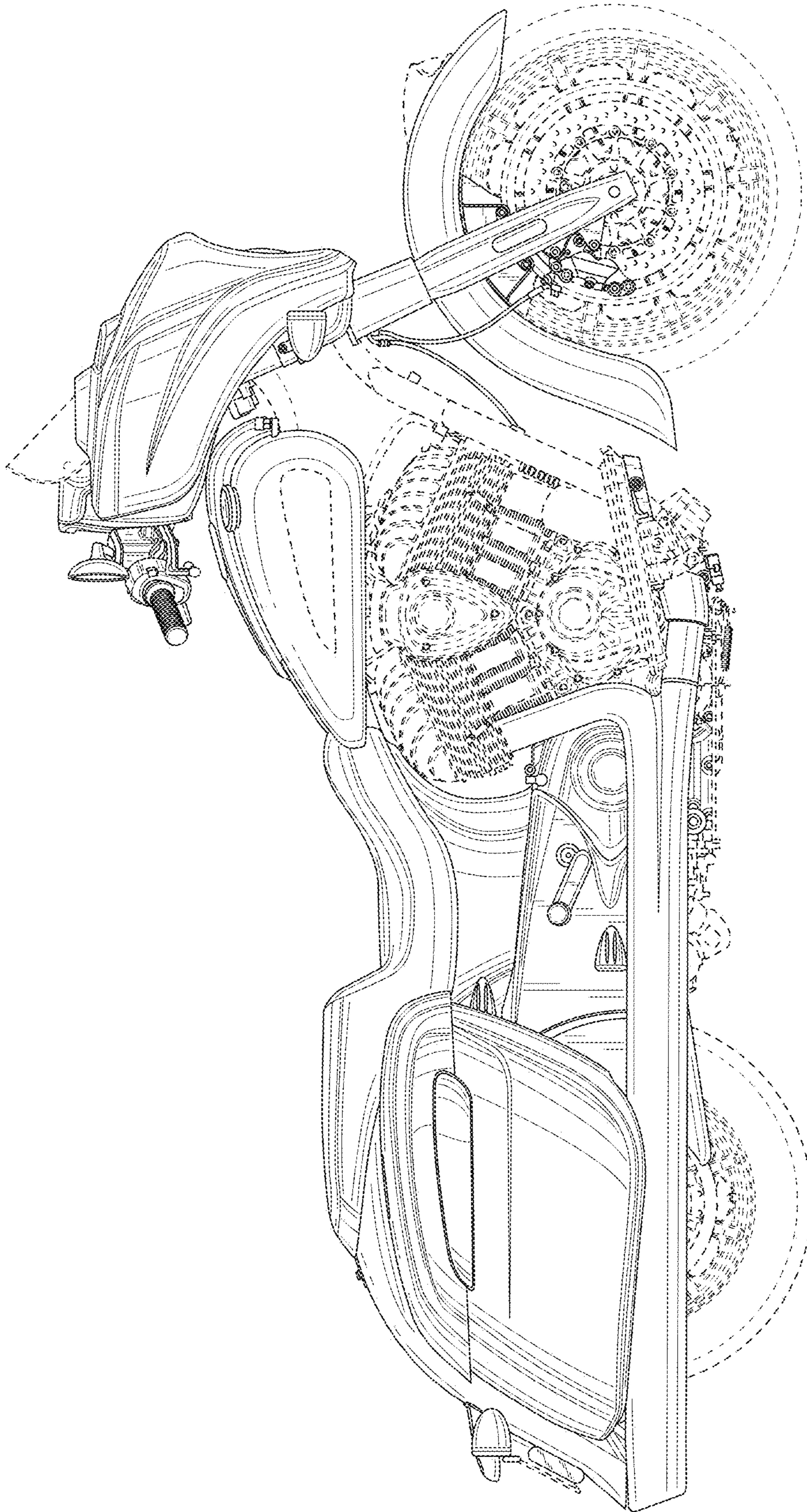


FIG. 4

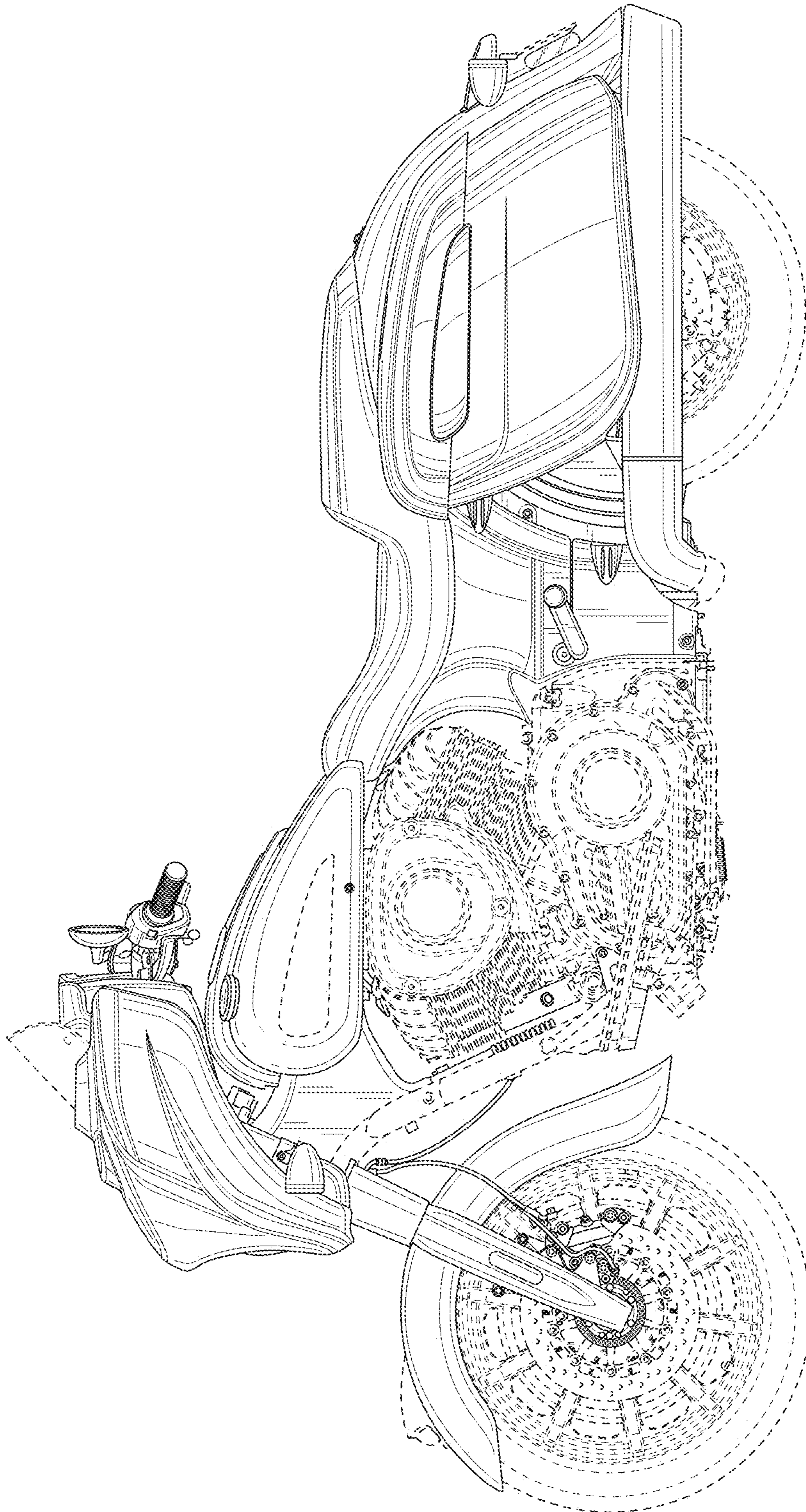


FIG. 5

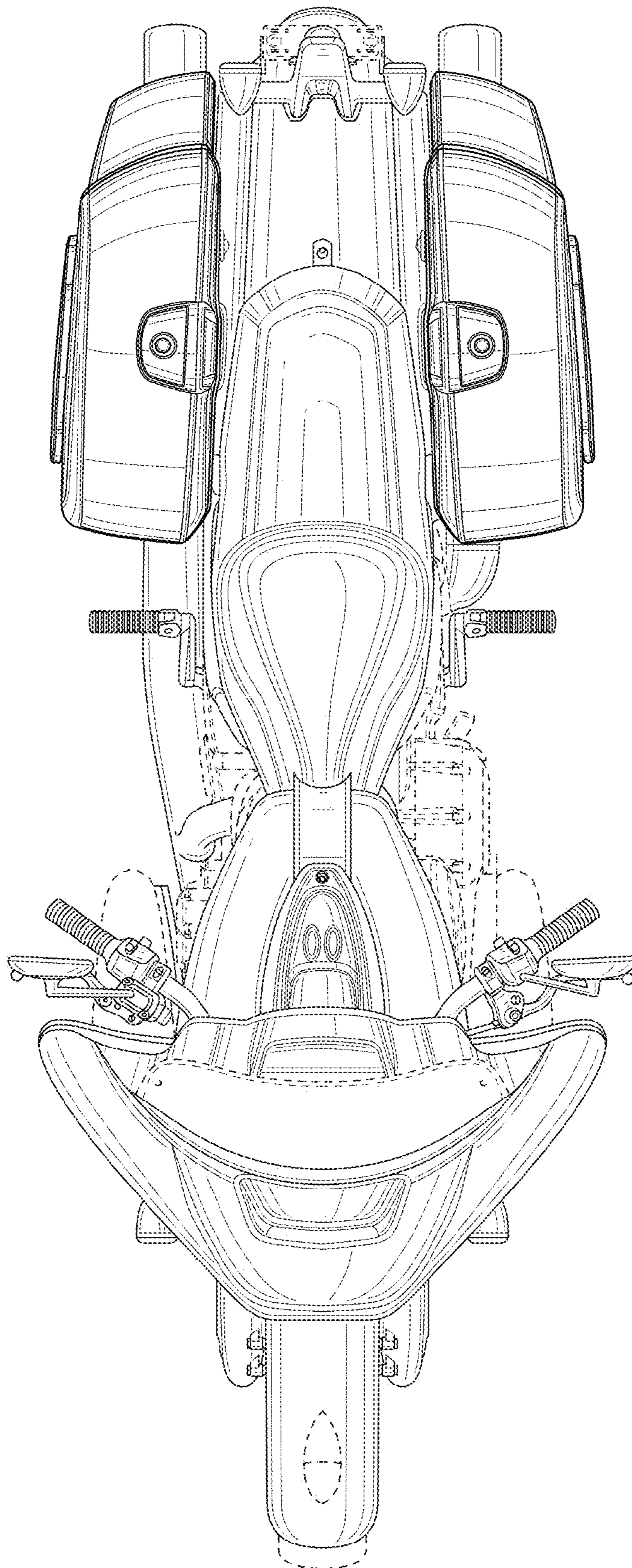


FIG. 6