



US00D906181S

(12) **United States Design Patent**
Lou et al.

(10) **Patent No.:** **US D906,181 S**

(45) **Date of Patent:** **** Dec. 29, 2020**

- (54) **ALL-TERRAIN VEHICLE**
- (71) Applicant: **Zhejiang Taotao Vehicles Co., Ltd.**,
Lishui (CN)
- (72) Inventors: **Guidong Lou**, Yongkang (CN);
Hongxia Zhu, Lishui (CN); **Jie Xu**,
Yongkang (CN); **Yali Ying**, Lishui
(CN); **Jianrong Luo**, Fuzhou (CN)
- (73) Assignee: **Zhejiang Taotao Vehicles Co., Ltd.**,
Lishui (CN)
- (**) Term: **15 Years**
- (21) Appl. No.: **29/690,447**
- (22) Filed: **May 8, 2019**

- D520,912 S * 5/2006 Knight D12/107
- D520,914 S * 5/2006 Luh D12/107
- D522,924 S * 6/2006 Yokoyama D12/107
- D523,782 S * 6/2006 Lin D12/107
- D529,414 S * 10/2006 Wu D12/107
- D529,840 S * 10/2006 Sugawara D12/107
- D531,088 S * 10/2006 Lin D12/107
- D532,339 S * 11/2006 Hishiki D12/107
- D539,705 S * 4/2007 Ichikawa D12/107
- D542,186 S * 5/2007 Lai D12/107
- D542,188 S * 5/2007 Miwa D12/107
- D585,792 S * 2/2009 Chao D12/107
- D599,251 S * 9/2009 Yin D12/107
- D609,136 S * 2/2010 Renchuan D12/107
- D620,399 S * 7/2010 Wu D12/107
- D640,604 S * 6/2011 Lai D12/107
- D640,605 S * 6/2011 Lai D12/107
- D657,721 S * 4/2012 Miyanishi D12/107
- D668,184 S * 10/2012 Tashiro D12/107
- D671,037 S * 11/2012 Wu D12/107

(Continued)

(30) **Foreign Application Priority Data**

Nov. 16, 2018 (CN) 2018 3 0653343

(51) **LOC (12) Cl.** **12-11**

(52) **U.S. Cl.**
USPC **D12/107**

(58) **Field of Classification Search**
USPC D12/3, 86, 87, 107, 110
CPC B60K 5/12; B60K 13/04; B60K 17/354
See application file for complete search history.

(56) **References Cited**

U.S. PATENT DOCUMENTS

- D374,416 S * 10/1996 Miyamoto D12/107
- D383,095 S * 9/1997 Miyamoto D12/107
- D421,935 S * 3/2000 Fujieda D12/107
- D428,363 S * 7/2000 Sugimoto D12/107
- D436,559 S * 1/2001 Fujieda D12/107
- D496,308 S * 9/2004 Wu D12/107
- D516,467 S * 3/2006 Wu D12/107
- D517,951 S * 3/2006 Luh D12/107
- D517,952 S * 3/2006 Luh D12/107

Primary Examiner — Darlington Ly

(74) *Attorney, Agent, or Firm* — Bayramoglu Law Offices
LLC

(57) **CLAIM**

The ornamental design for an all-terrain vehicle, as shown
and described.

DESCRIPTION

FIG. 1 is a perspective view of an all-terrain vehicle accord-
ing to our new design;

FIG. 2 is a front elevation view thereof;

FIG. 3 is a rear elevation view thereof;

FIG. 4 is a left side elevation view thereof;

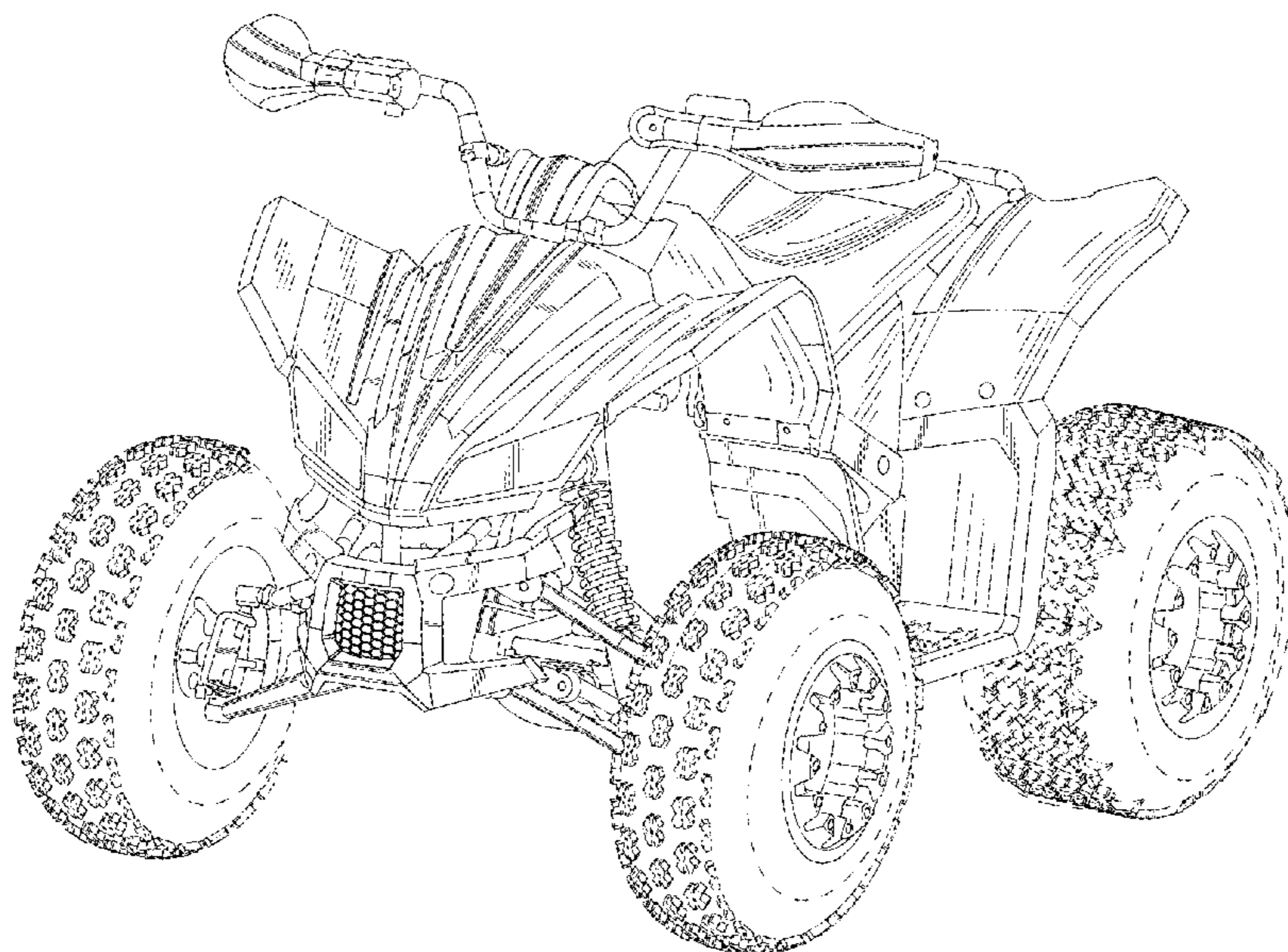
FIG. 5 is a right side elevation view thereof;

FIG. 6 is a top plan view thereof; and,

FIG. 7 is a bottom plan view thereof.

The broken lines in the drawings illustrating portions of the
all-terrain vehicle form no part of the claimed design.

1 Claim, 7 Drawing Sheets



(56)

References Cited

U.S. PATENT DOCUMENTS

D674,728	S *	1/2013	Matsumura	D12/107
D680,468	S *	4/2013	Li	D12/107
D680,469	S *	4/2013	Li	D12/107
D691,519	S *	10/2013	Fisher	D12/107
D694,671	S *	12/2013	Lai	D12/107
D721,300	S *	1/2015	Li	D12/107
D761,698	S *	7/2016	Umemoto	D12/107
D774,957	S *	12/2016	Umemoto	D12/107
9,649,928	B2 *	5/2017	Danielson	B60K 13/02
9,873,316	B2 *	1/2018	Lovold	B60K 5/12

* cited by examiner

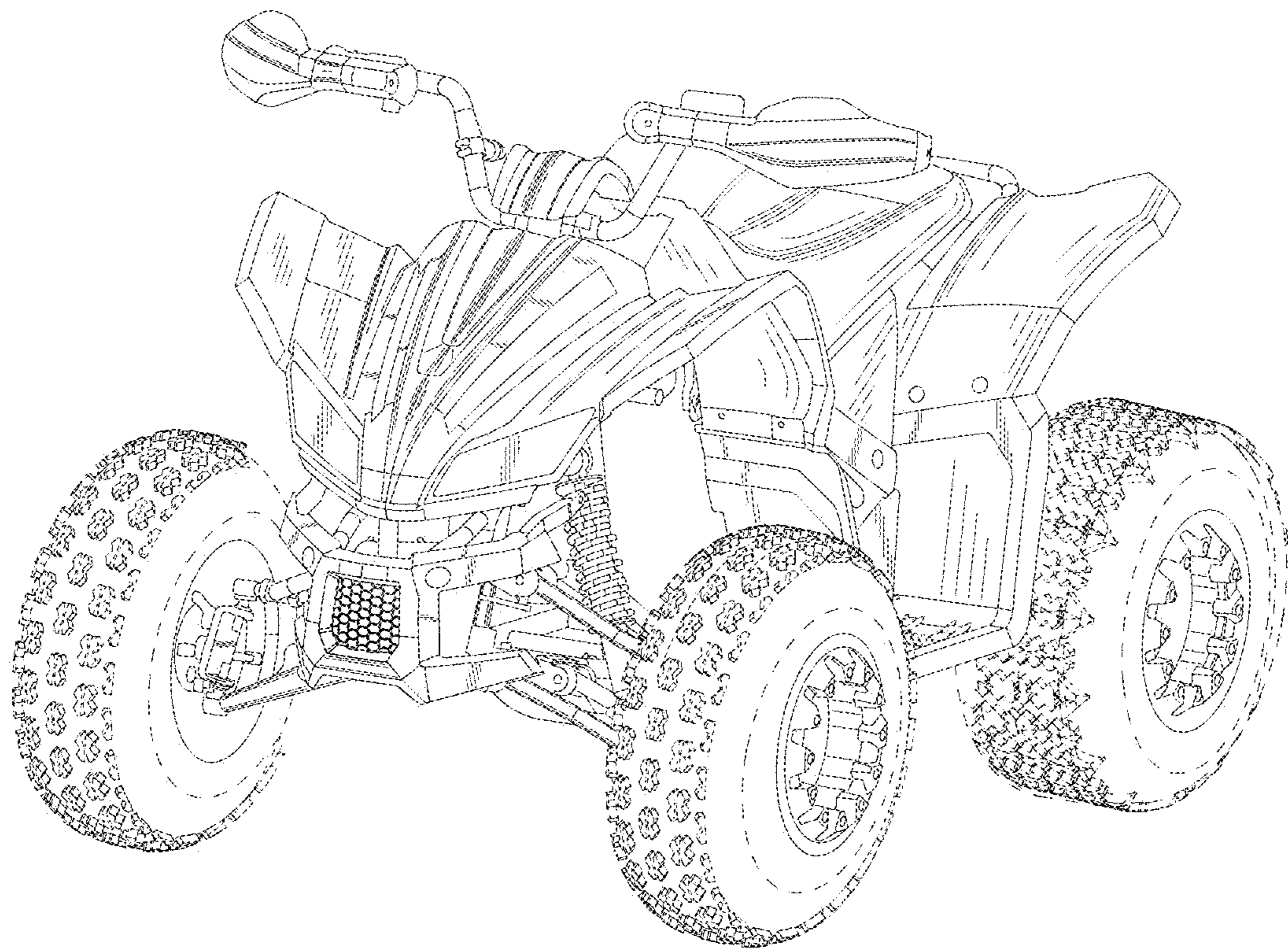


FIG. 1

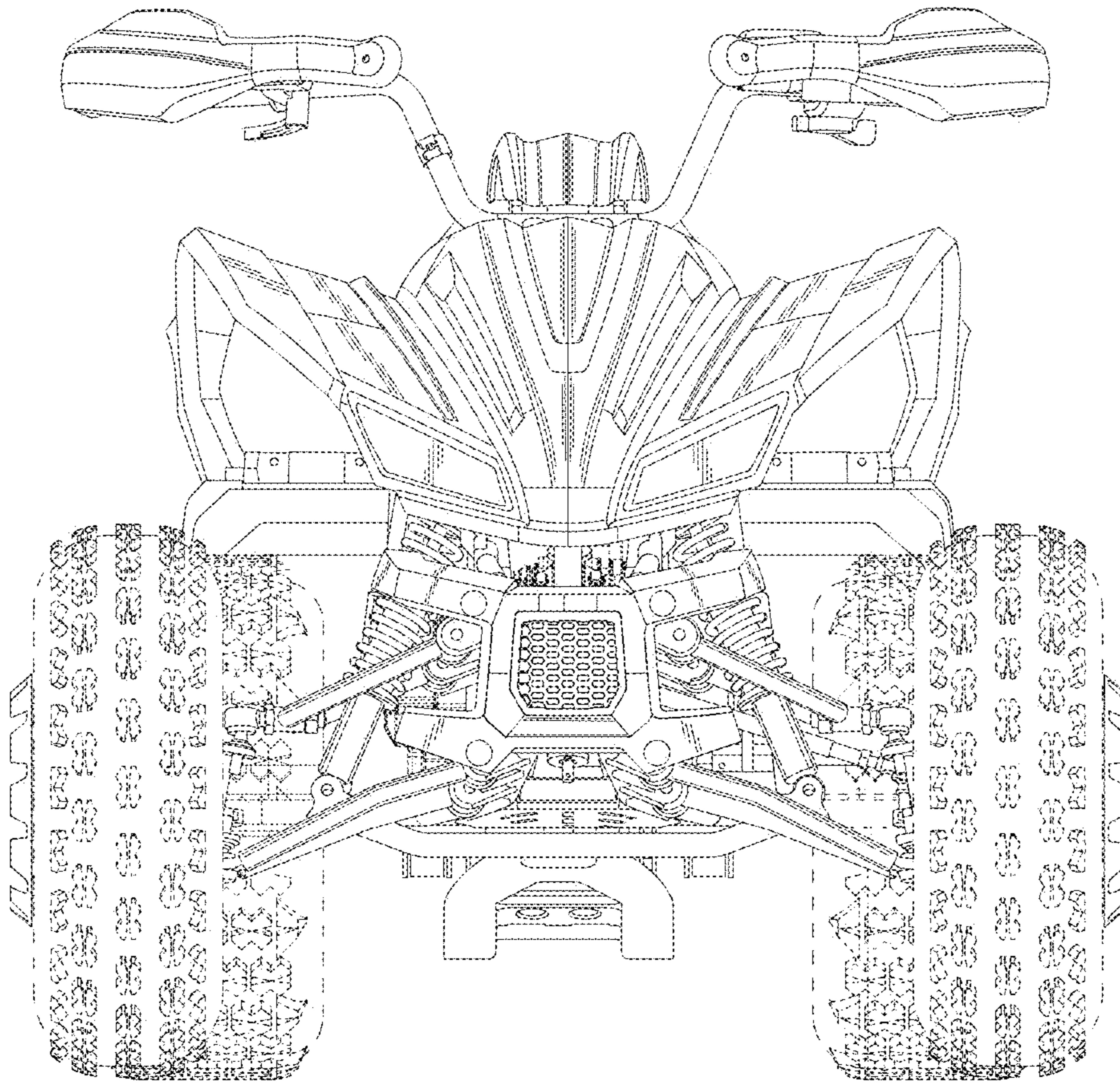


FIG. 2

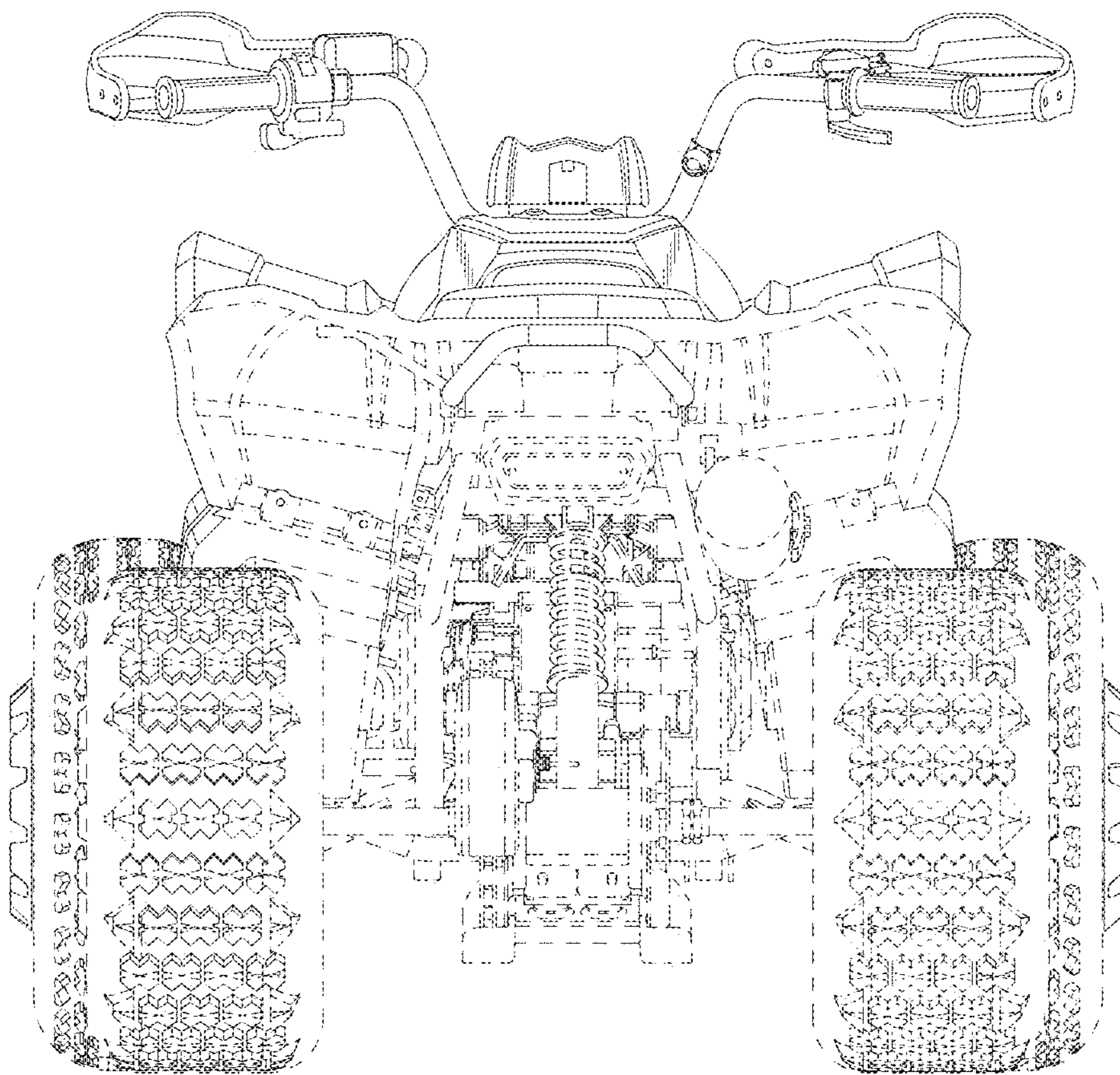


FIG. 3

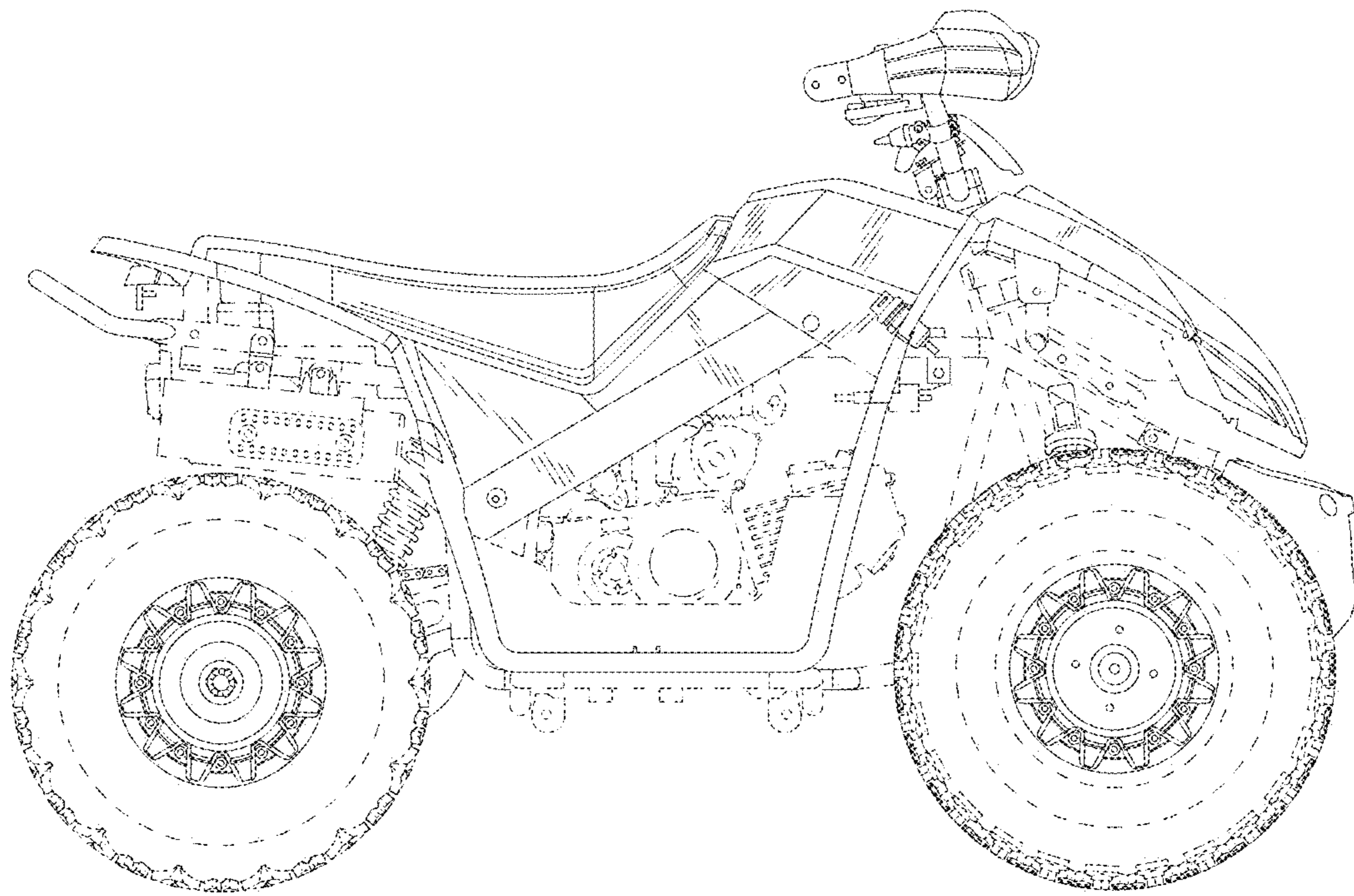


FIG. 4

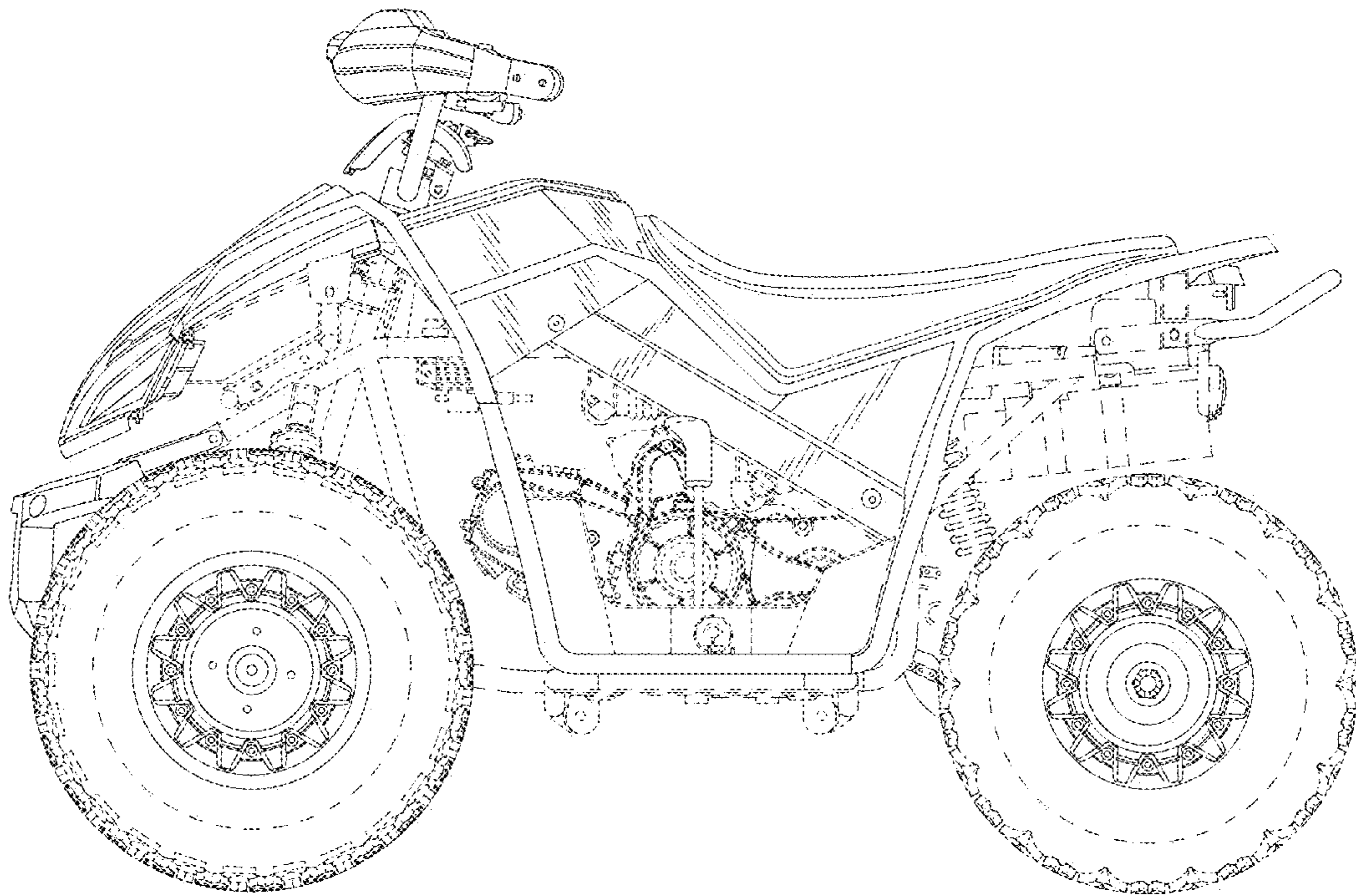


FIG. 5

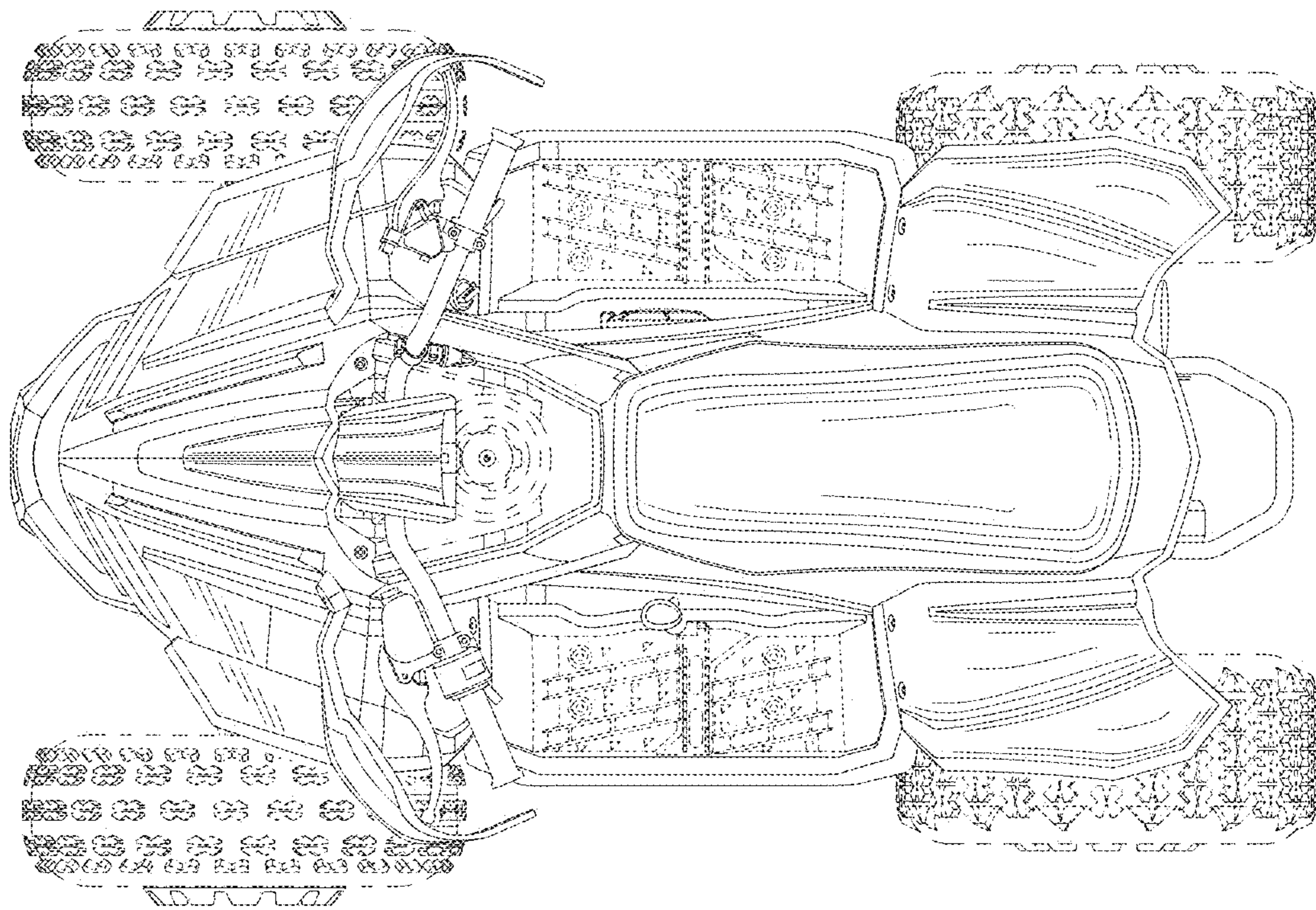


FIG. 6

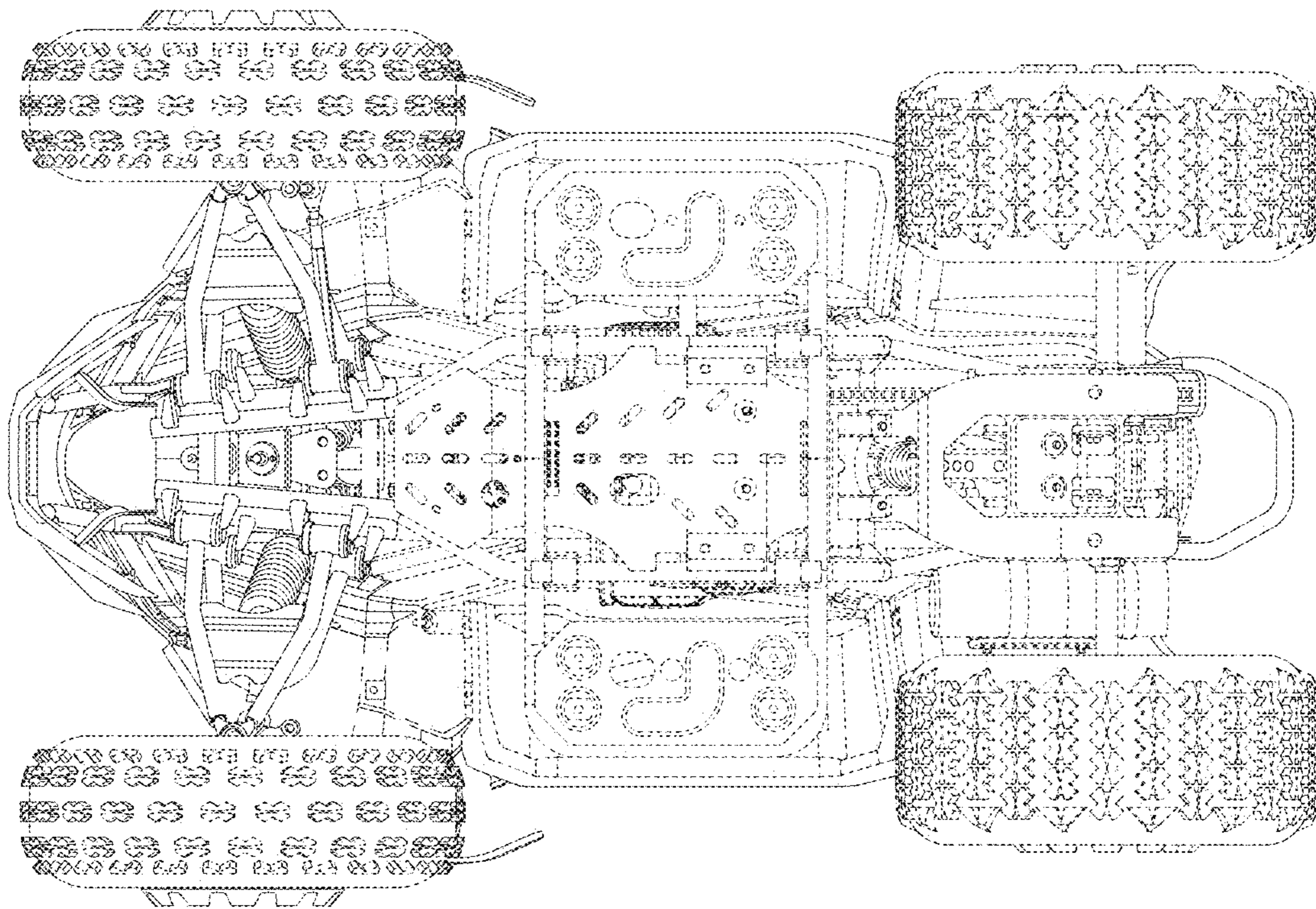


FIG. 7