



US00D906178S

(12) **United States Design Patent** (10) **Patent No.:** **US D906,178 S**
Woodhouse et al. (45) **Date of Patent:** **** Dec. 29, 2020**

(54) **MOTOR VEHICLE EXTERIOR**

(56) **References Cited**

(71) Applicant: **Ford Global Technologies, LLC**,
Dearborn, MI (US)

(72) Inventors: **David Woodhouse**, Troy, MI (US);
Kemal Curic, West Bloomfield, MI
(US); **Xitij Mistry**, Ann Arbor, MI
(US); **Gurminder Bhandal**, Ferndale,
MI (US); **John C. Caswell**, Grosse
Pointe, MI (US)

(73) Assignee: **Ford Global Technologies, LLC**,
Dearborn, MI (US)

(**) Term: **15 Years**

(21) Appl. No.: **29/716,527**

(22) Filed: **Dec. 10, 2019**

U.S. PATENT DOCUMENTS

| | | | |
|--------------|---------|-----------------|--------|
| D727,210 S * | 4/2015 | Grake | D12/91 |
| D728,424 S * | 5/2015 | Rupar | D12/91 |
| D728,426 S * | 5/2015 | Di Buduo | D12/91 |
| D741,224 S * | 10/2015 | Rupar | D12/91 |
| D741,752 S * | 10/2015 | Messale | D12/91 |
| D743,303 S * | 11/2015 | Huang | D12/91 |
| D746,175 S * | 12/2015 | Wolff | D12/91 |
| D754,563 S * | 4/2016 | Behmer | D12/91 |
| D770,942 S * | 11/2016 | Woodhouse | D12/92 |
| D793,283 S * | 8/2017 | Woodhouse | D12/91 |
| D820,162 S * | 6/2018 | Woodhouse | D12/91 |
| D820,163 S * | 6/2018 | Woodhouse | D12/91 |
| D869,337 S * | 12/2019 | Woodhouse | D12/91 |
| D890,032 S * | 7/2020 | Woodhouse | D12/91 |

* cited by examiner

Primary Examiner — Melody N Brown

(57) **CLAIM**

The ornamental design for a motor vehicle exterior, as shown and described.

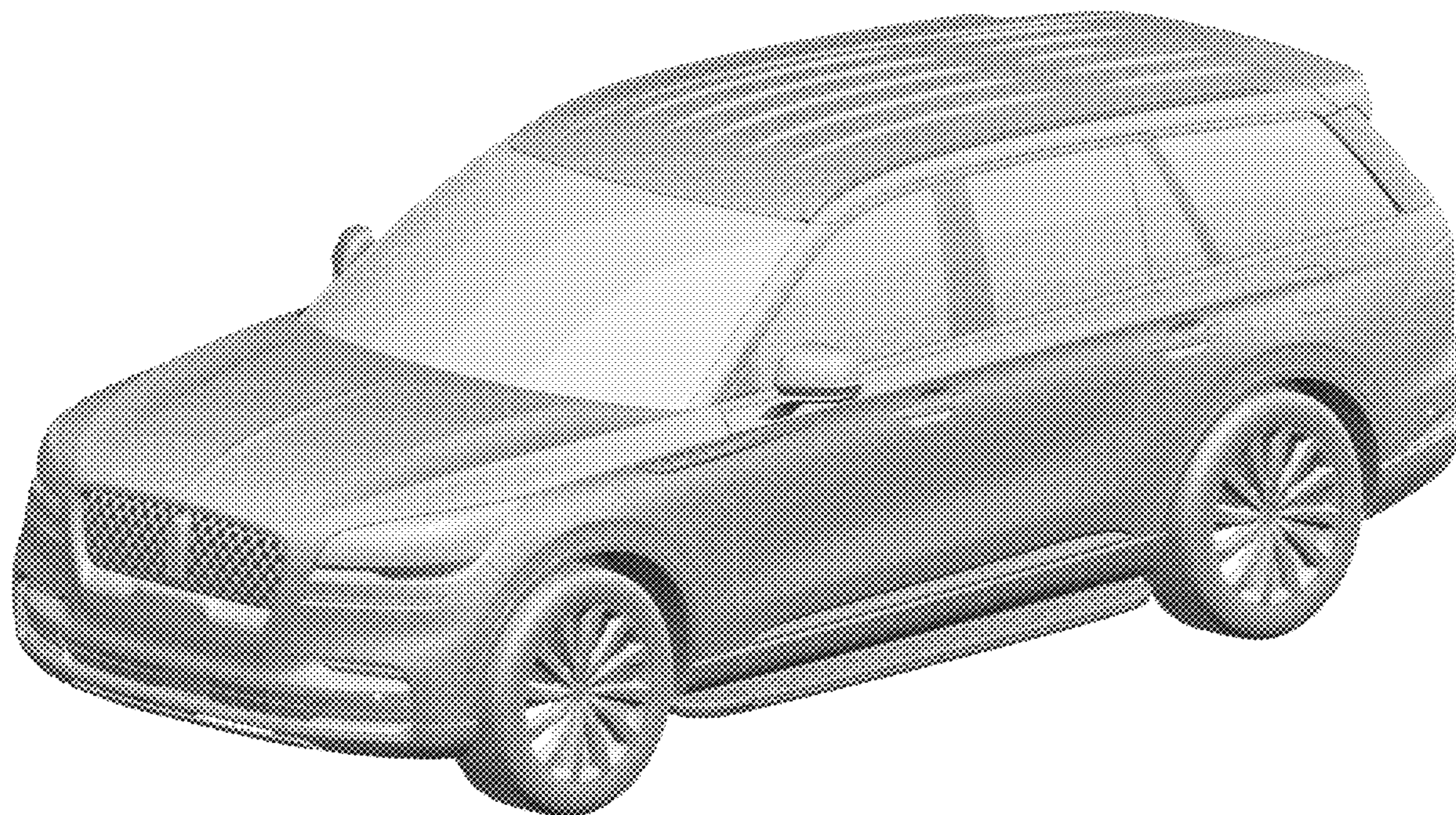
DESCRIPTION

FIG. 1 is a front elevational view of a motor vehicle exterior, showing our new design;
FIG. 2 is a rear elevational view thereof;
FIG. 3 is a left side elevational view thereof;
FIG. 4 is a right side elevational view thereof;
FIG. 5 is a top plan view thereof;
FIG. 6 is a top, front and left side perspective view thereof;
and,
FIG. 7 is a top, rear, and left side perspective view thereof.

1 Claim, 7 Drawing Sheets

Related U.S. Application Data

(62) Division of application No. 29/641,676, filed on Mar. 23, 2018, now Pat. No. Des. 869,337.
(51) **LOC (12) Cl.** **12-08**
(52) **U.S. Cl.**
USPC **D12/91**
(58) **Field of Classification Search**
USPC D12/86, 90-92, 88, 164; D21/424, 433,
D21/434; 296/181.1-181.5, 183.1
CPC B62D 25/00; B62D 25/06; B62D 33/00;
B62D 35/00
See application file for complete search history.



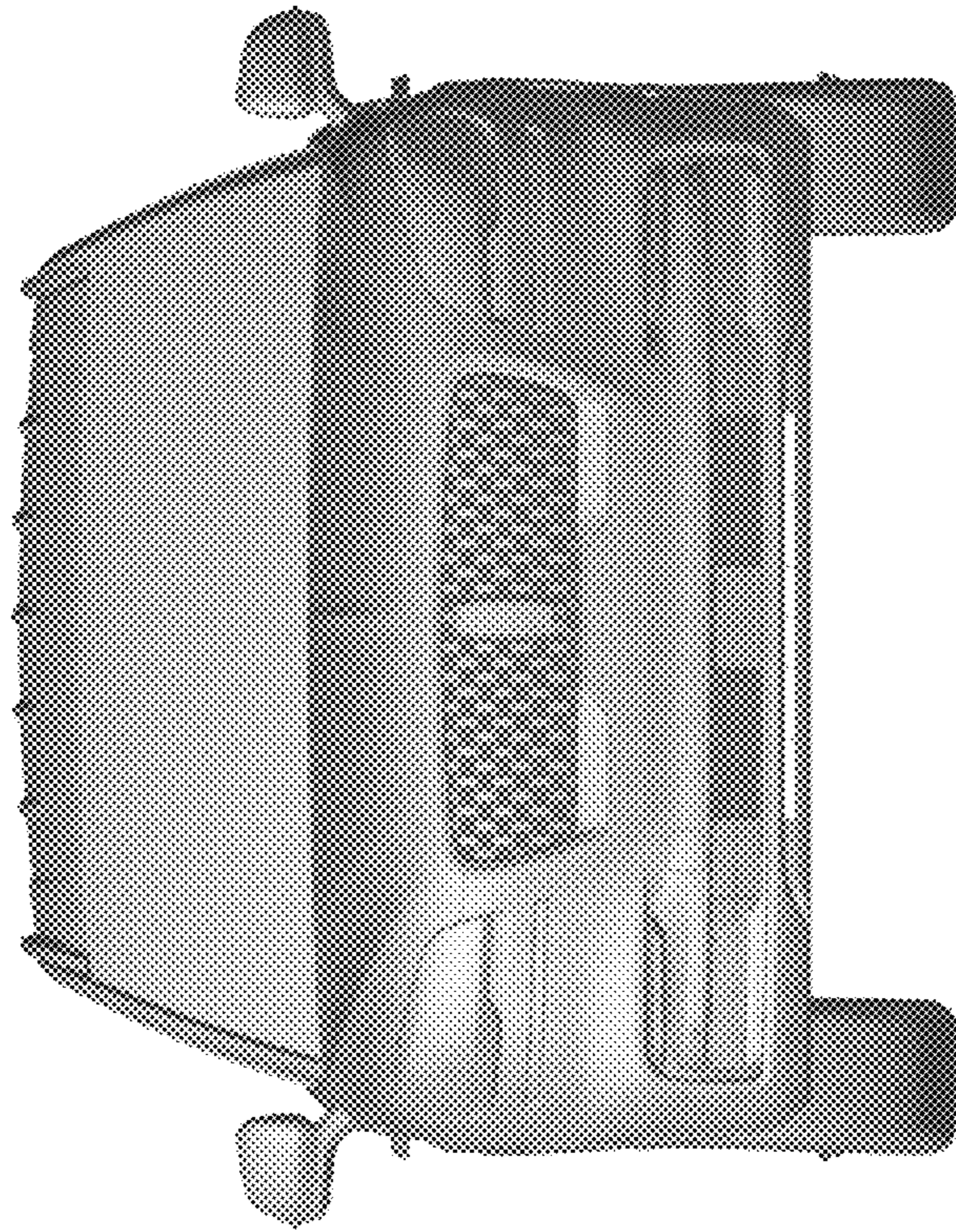


Fig. 1

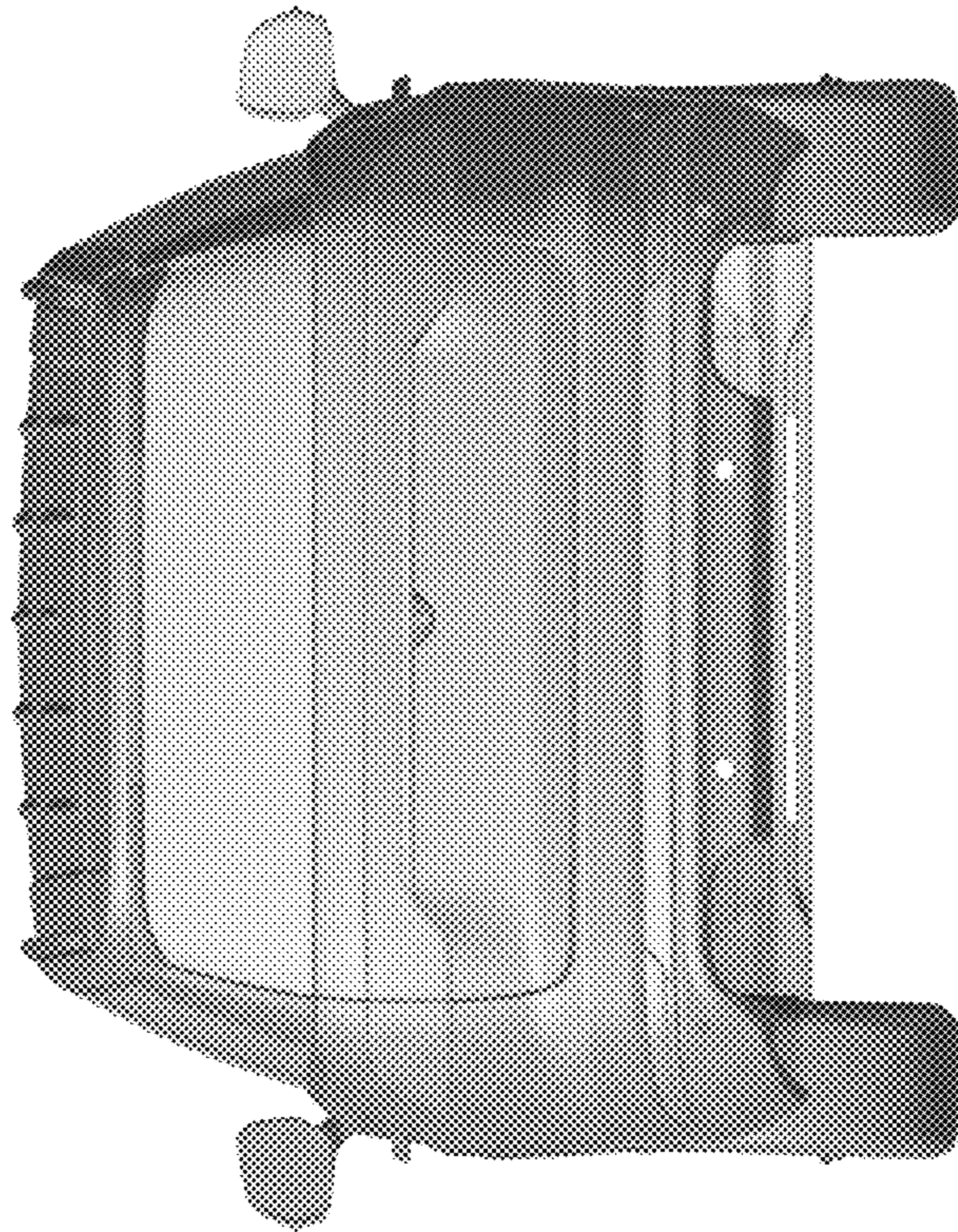


Fig. 2



Fig. 3



Fig. 4



Fig. 5



Fig. 6

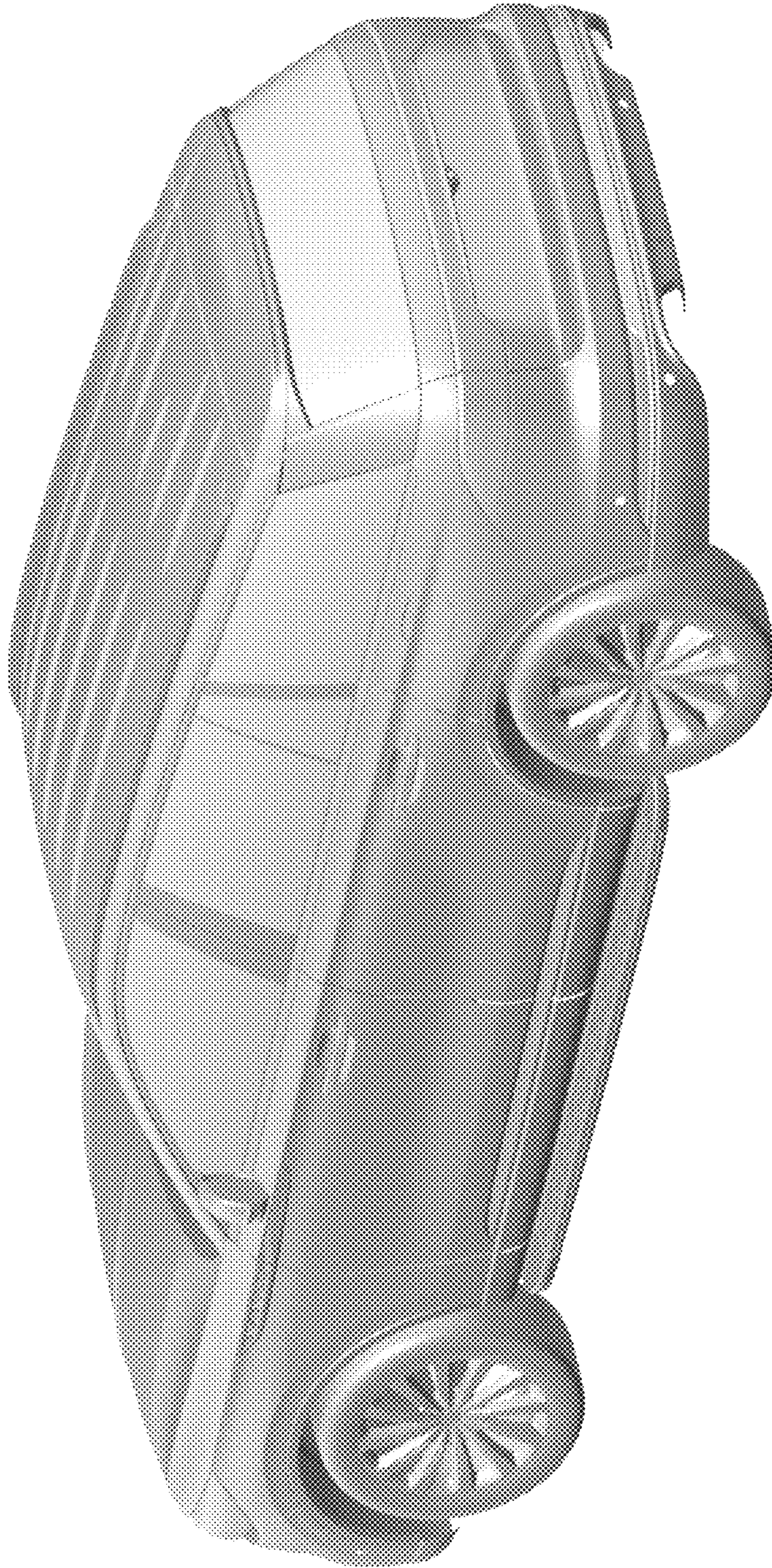


Fig. 7