



US00D906177S

(12) **United States Design Patent**
Sahara

(10) **Patent No.:** **US D906,177 S**

(45) **Date of Patent:** **** Dec. 29, 2020**

(54) **AUTOMOBILE**

(71) Applicant: **HONDA MOTOR CO., LTD.**, Tokyo
(JP)

(72) Inventor: **Ken Sahara**, Wako (JP)

(73) Assignee: **HONDA MOTOR CO., LTD.**, Tokyo
(JP)

(**) Term: **15 Years**

(21) Appl. No.: **29/690,989**

(22) Filed: **May 13, 2019**

(30) **Foreign Application Priority Data**

Nov. 15, 2018 (JP) 2018-024929

(51) **LOC (12) Cl.** **12-08**

(52) **U.S. Cl.**
USPC **D12/91**

(58) **Field of Classification Search**
USPC D12/86, 90-92, 88; D21/424, 433, 434,
D21/533; 296/181.1-181.5, 183.1
CPC B62D 25/00; B62D 25/06; B62D 33/00;
B62D 35/00
See application file for complete search history.

(56) **References Cited**

U.S. PATENT DOCUMENTS

D605,557 S * 12/2009 Murakami D12/91
D605,558 S * 12/2009 Koman D12/91

D647,430 S * 10/2011 Nemoto D12/91
D648,247 S * 11/2011 Nemoto D12/91
D680,028 S * 4/2013 Ramaciotti D12/91
D695,150 S * 12/2013 Tsutamori D12/91
D731,360 S * 6/2015 Burki D12/91
D813,096 S * 3/2018 Ren D12/91

* cited by examiner

Primary Examiner — Melody N Brown

(74) *Attorney, Agent, or Firm* — Westerman, Hattori,
Daniels & Adrian, LLP

(57) **CLAIM**

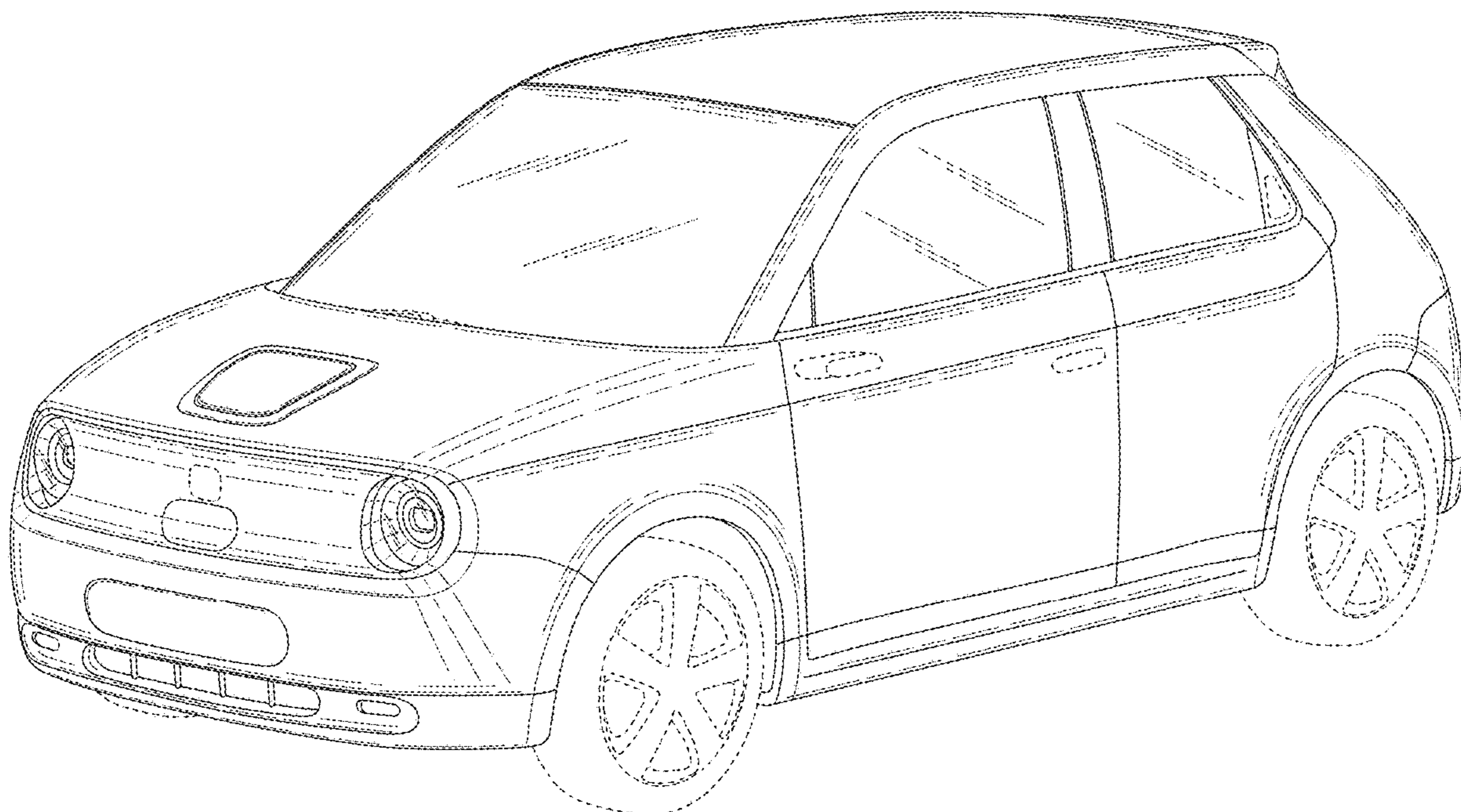
The ornamental design for an automobile, as shown and described.

DESCRIPTION

FIG. 1 is a top, front and left side perspective view of an automobile showing my new design;
FIG. 2 is a top, rear and left side perspective view thereof;
FIG. 3 is a left side elevational view thereof;
FIG. 4 is a right side elevational view thereof;
FIG. 5 is a front elevational view thereof;
FIG. 6 is a rear elevational view thereof; and,
FIG. 7 is a top plan view thereof.

The broken lines in the drawings illustrate portions of the automobile that form no part of the claimed design.

1 Claim, 7 Drawing Sheets



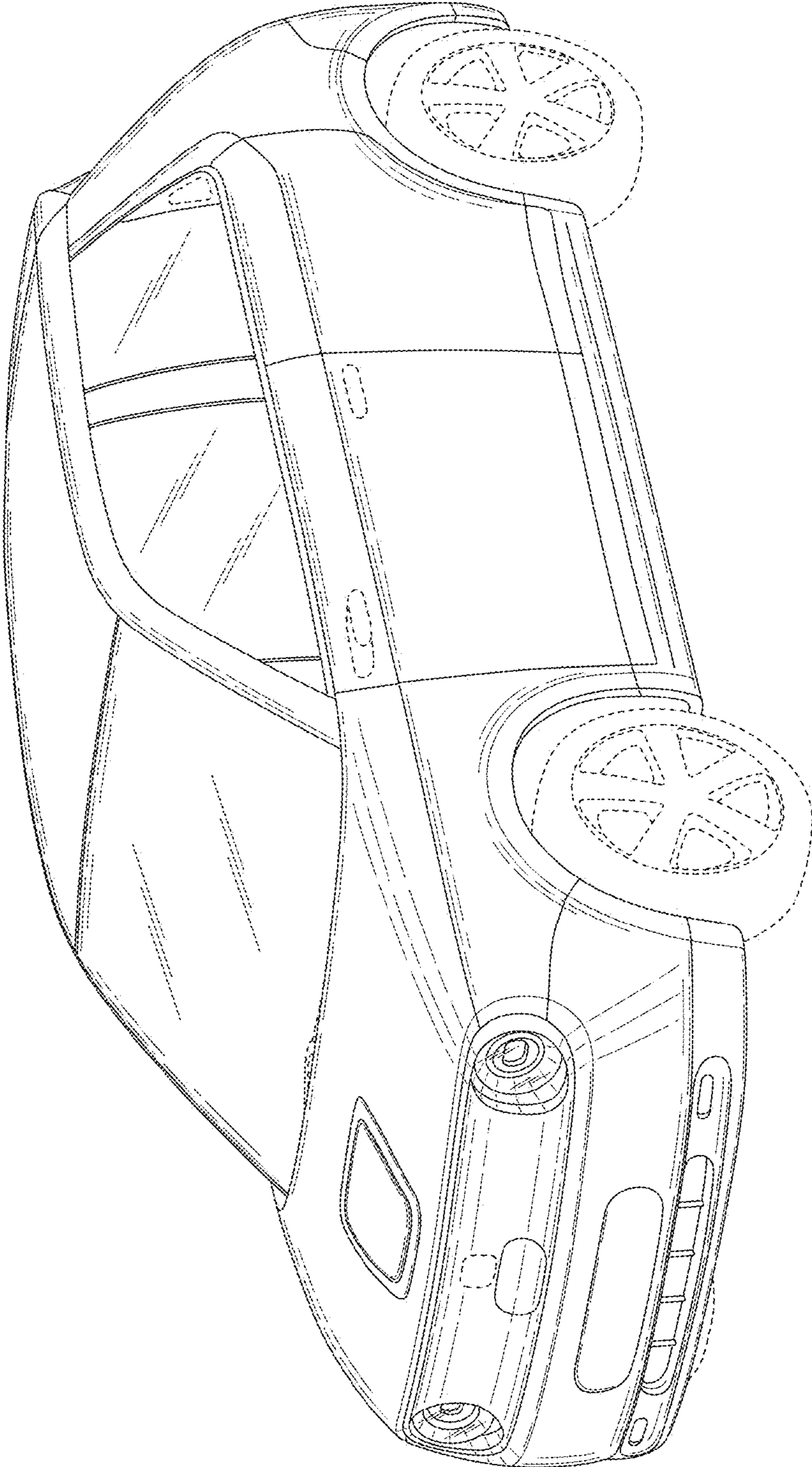


FIG.1

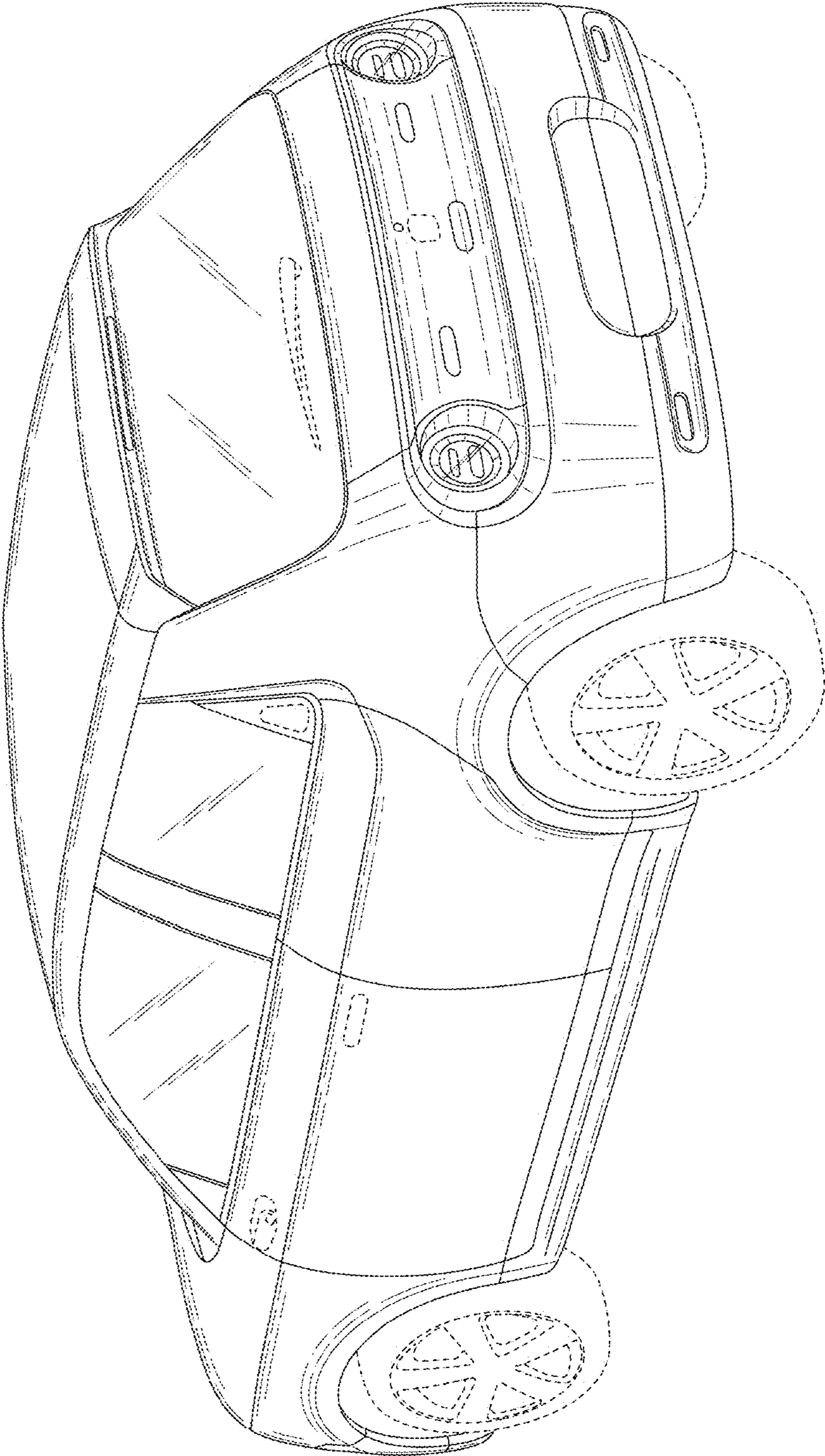


FIG.2

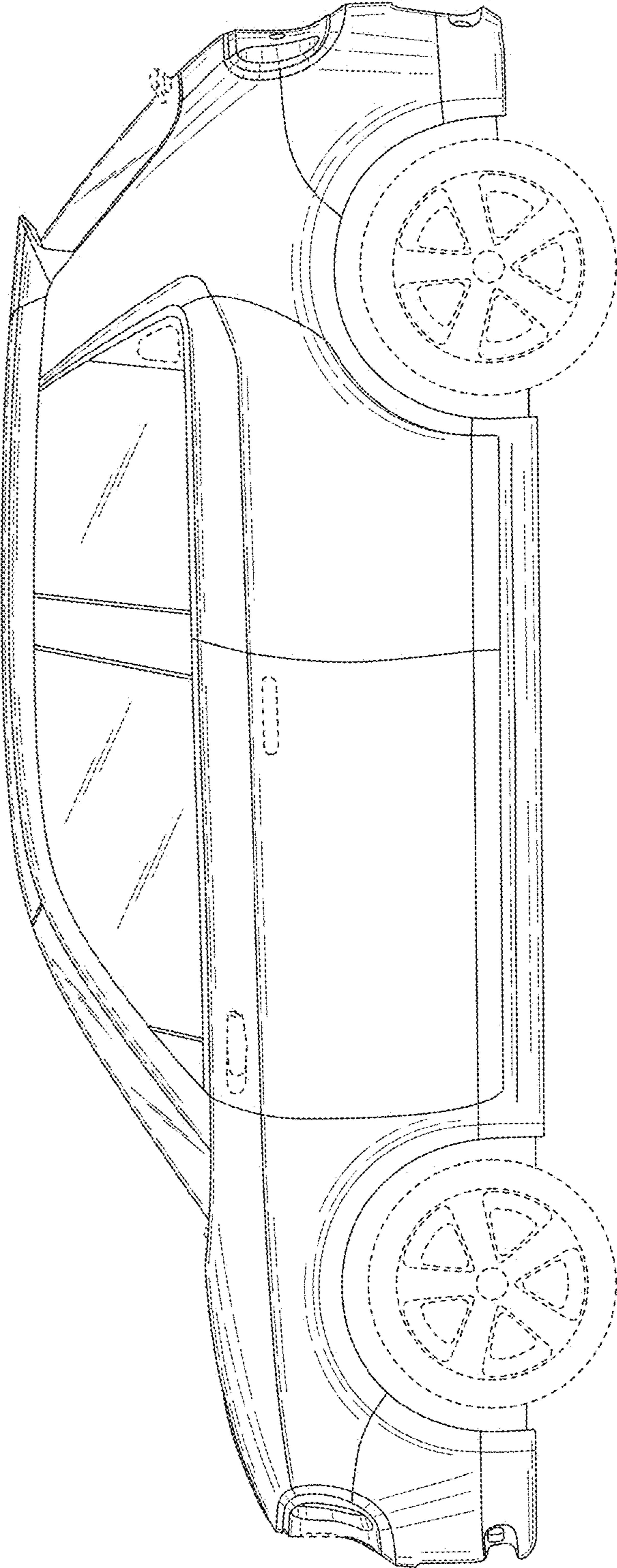


FIG.3

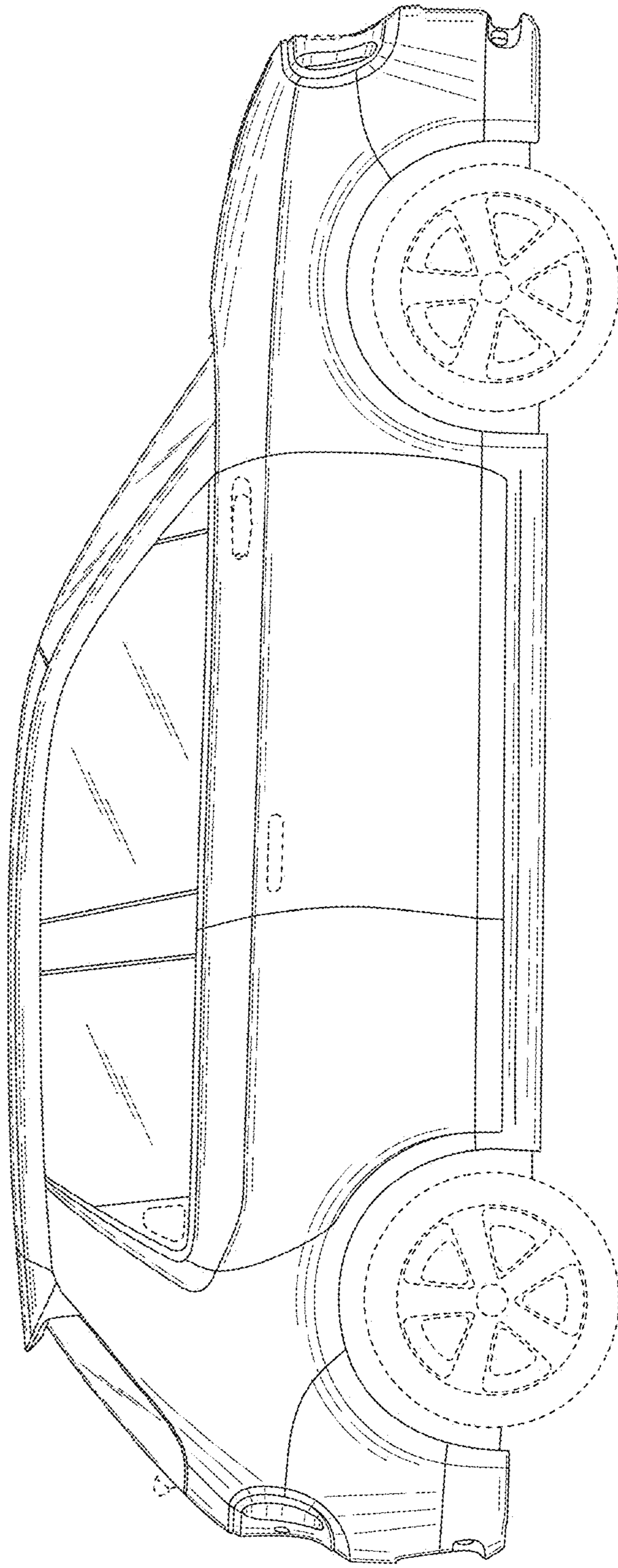


FIG.4

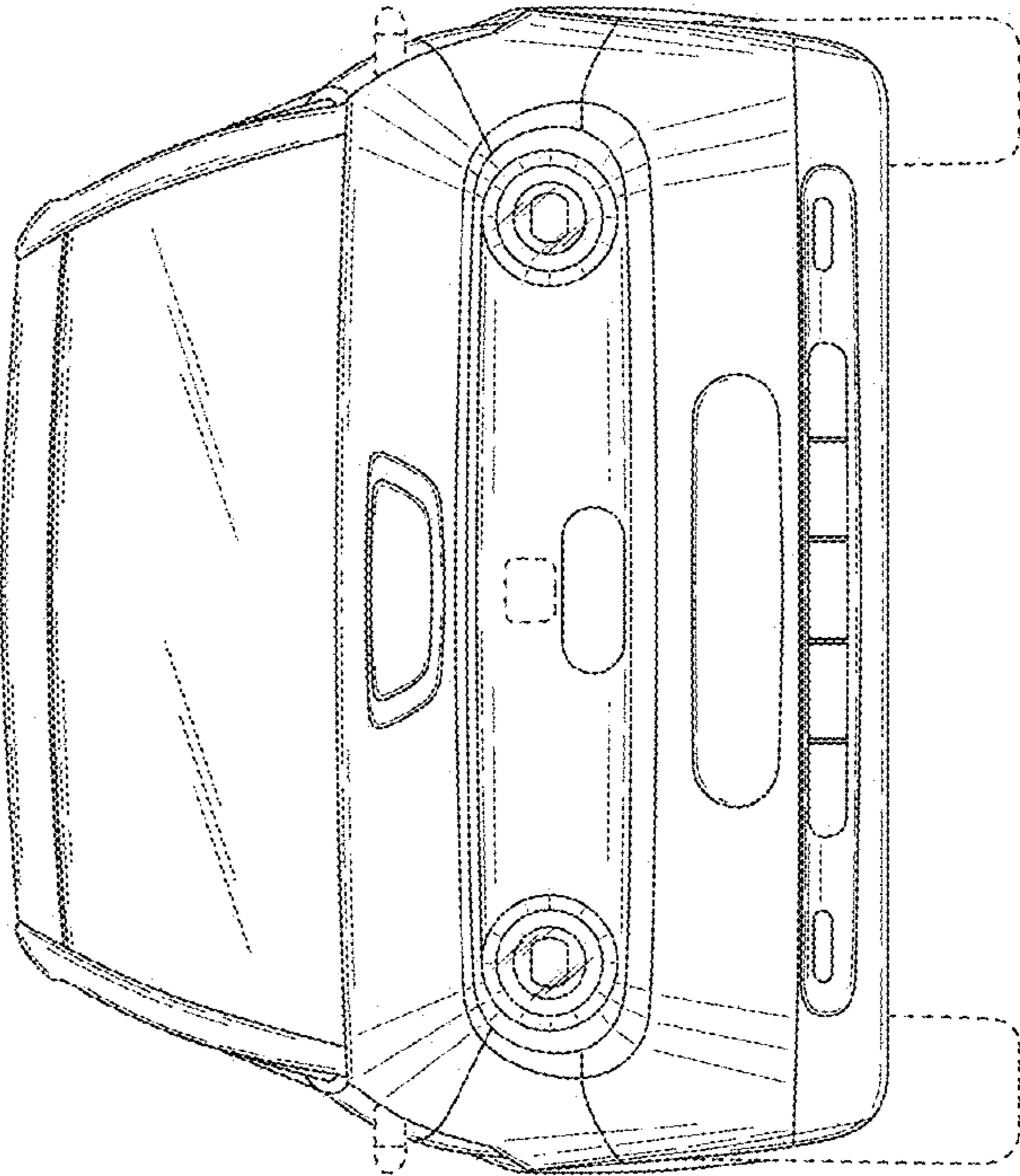


FIG.5

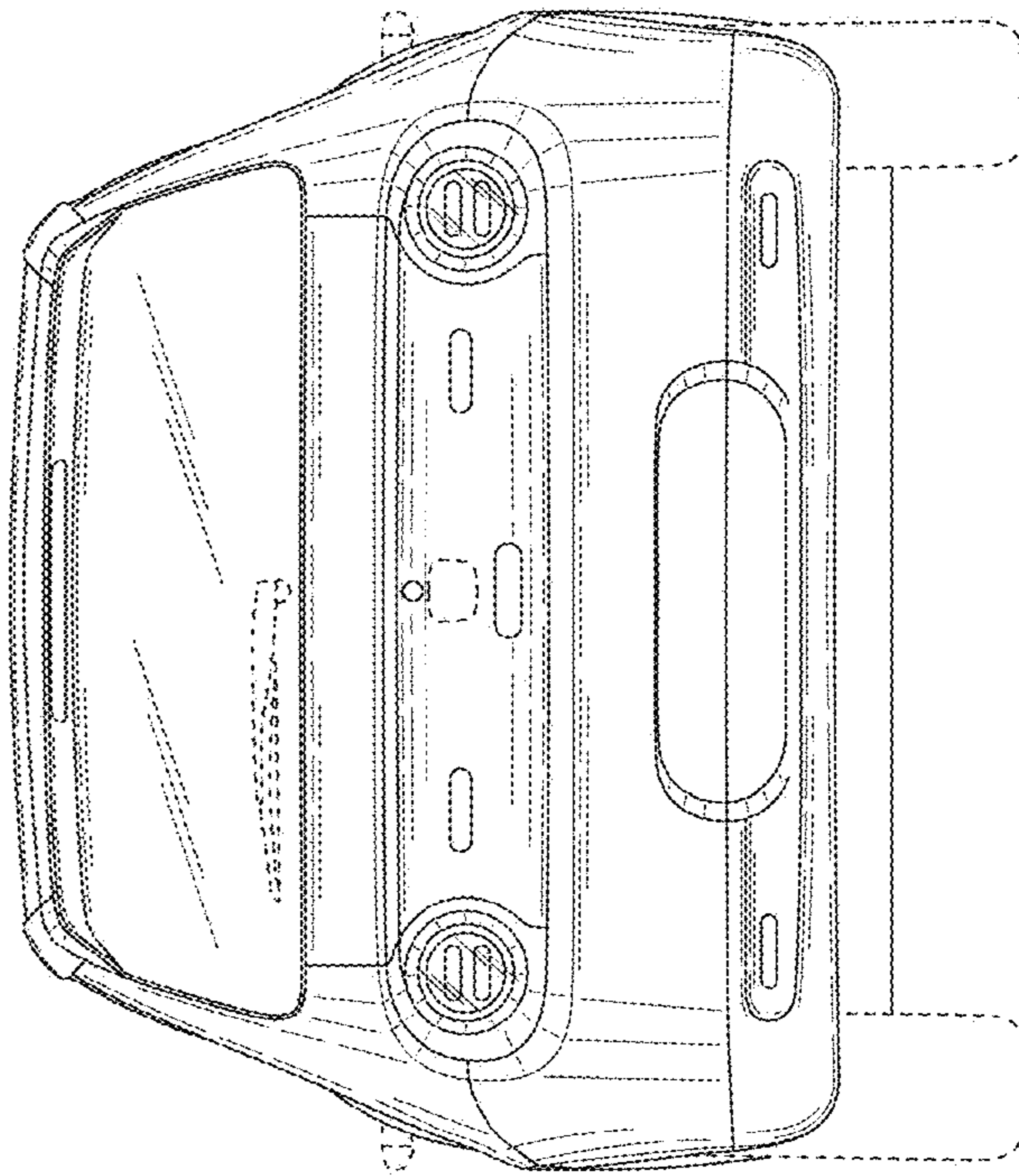


FIG.6

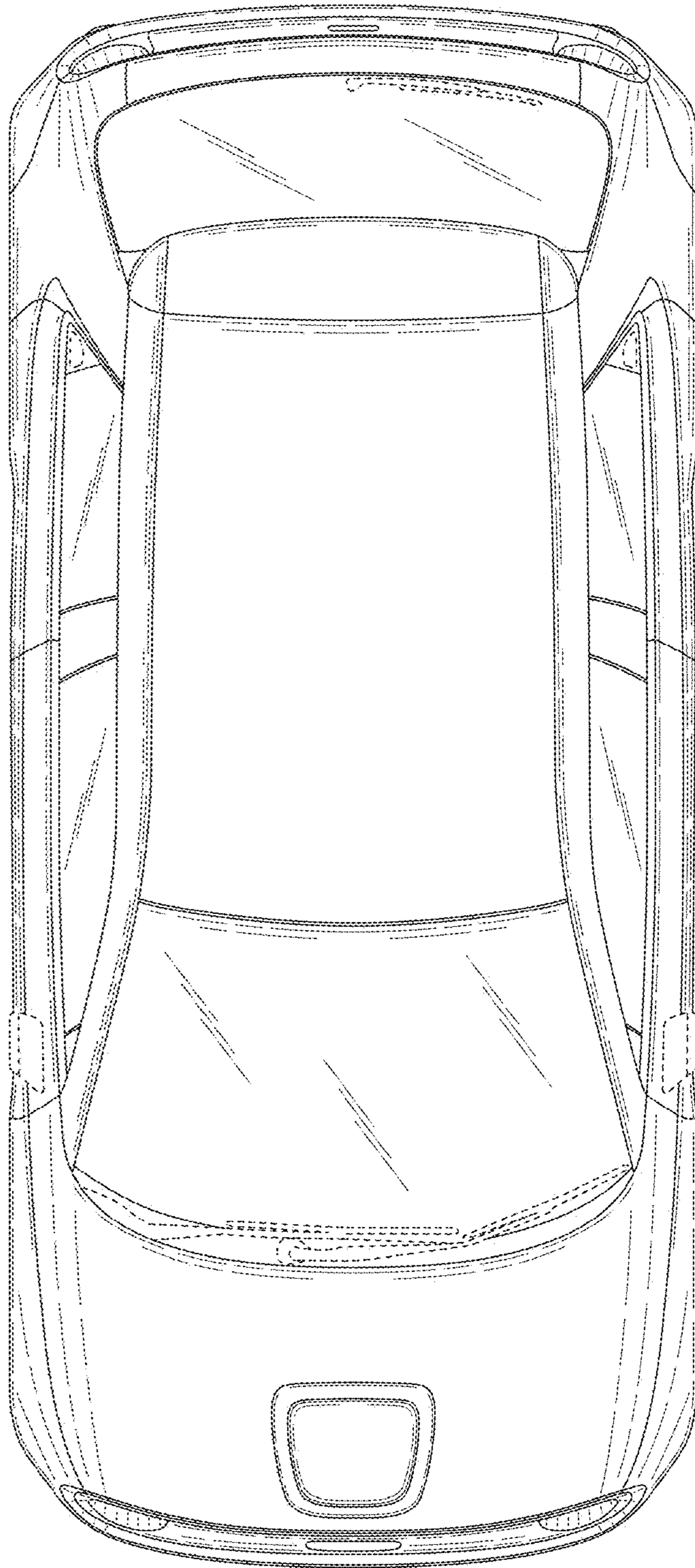


FIG.7