

US00D906174S

(12) **United States Design Patent** (10) **Patent No.:** **US D906,174 S**
Beaven et al. (45) **Date of Patent:** **** Dec. 29, 2020**

(54) **VEHICLE**

(71) Applicant: **Jaguar Land Rover Limited**, Coventry (GB)
(72) Inventors: **Matthew Beaven**, Coventry (GB); **Simon Tovey**, Coventry (GB); **YooJung Ahn**, Mountain View, CA (US); **Jared Gross**, Mountain View, CA (US); **Albert Shane**, Mountain View, CA (US); **Robert Veitch**, Mountain View, CA (US)

(73) Assignee: **Jaguar Land Rover Limited**, Coventry (GB)

(**) Term: **15 Years**

(21) Appl. No.: **29/663,668**

(22) Filed: **Sep. 18, 2018**

(30) **Foreign Application Priority Data**

Mar. 19, 2018 (EM) 004786002

(51) **LOC (12) Cl.** **12-08**

(52) **U.S. Cl.**
USPC **D12/91; D12/92**

(58) **Field of Classification Search**
USPC D12/90-92, 86, 88, 164; 280/181.1, 280/181.5, 183.1
CPC B62D 35/00; B62D 25/00; B62D 25/06; B62D 33/00

See application file for complete search history.

(56) **References Cited**

U.S. PATENT DOCUMENTS

D734,211 S * 7/2015 Ahn D12/86
D822,542 S * 7/2018 Ancona D12/91
D840,268 S * 2/2019 Beaven D12/91
D841,518 S 2/2019 Tovey
D847,024 S * 4/2019 Patel D12/91
D881,070 S * 4/2020 Smith D12/91

OTHER PUBLICATIONS

WAYMO, Design U.S. Appl. No. 29/640,538.

* cited by examiner

Primary Examiner — Melody N Brown

(74) *Attorney, Agent, or Firm* — Wood Herron & Evans LLP

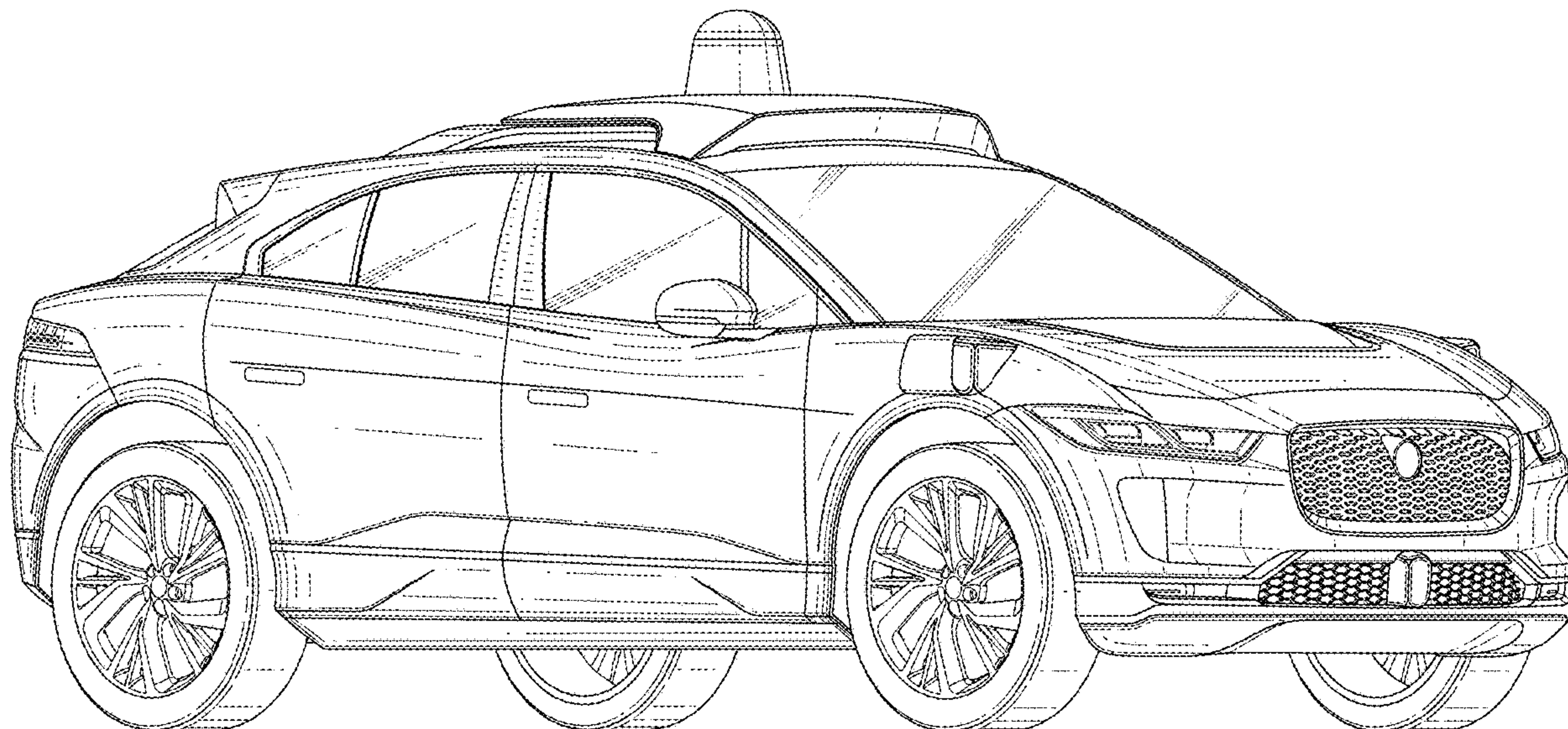
(57) **CLAIM**

The ornamental design for a vehicle, as shown and described.

DESCRIPTION

FIG. 1 is a left, front perspective view of a vehicle showing our new design;
FIG. 2 is a right, rear perspective view thereof;
FIG. 3 is a front view thereof;
FIG. 4 is a rear view thereof;
FIG. 5 is a left side view thereof;
FIG. 6 is a right side view thereof; and,
FIG. 7 is a top view thereof.

1 Claim, 7 Drawing Sheets



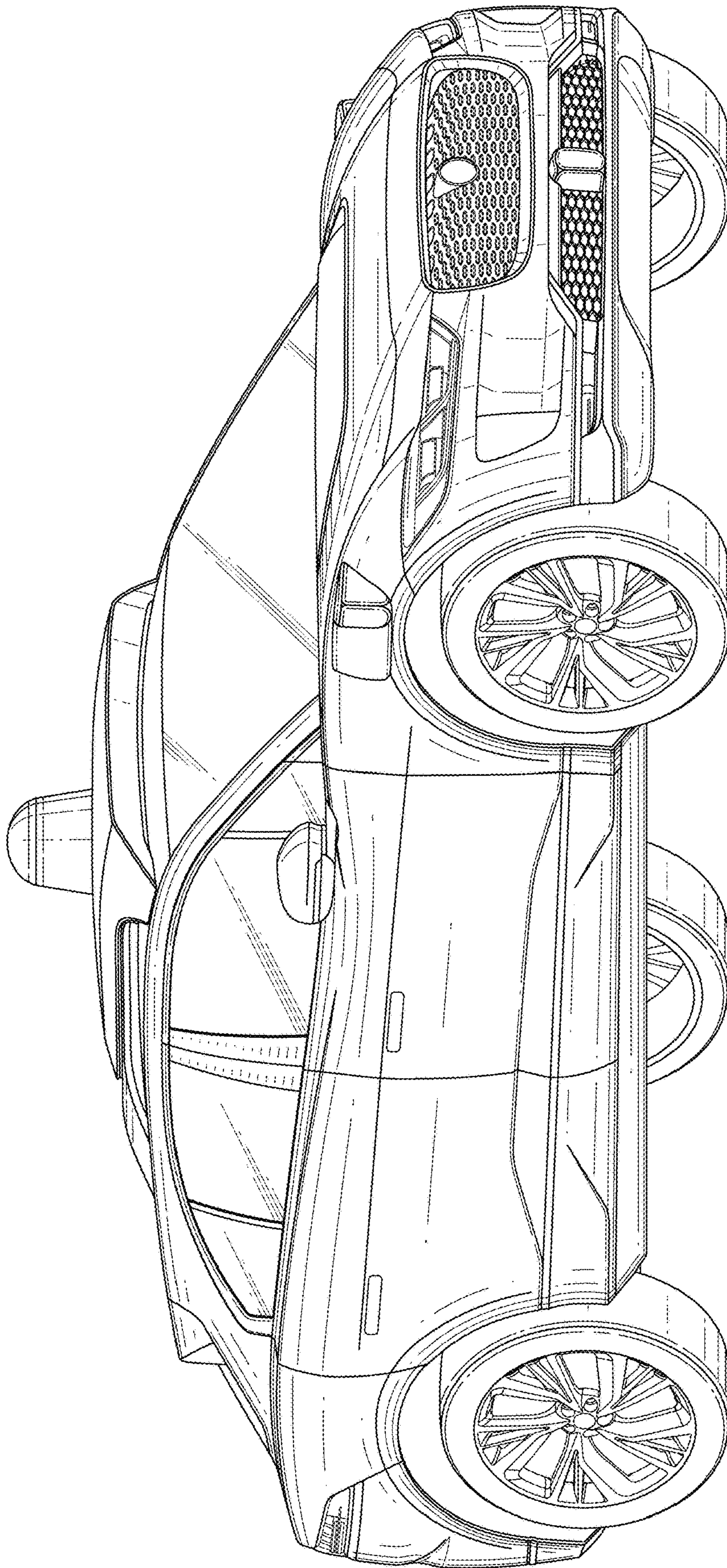


FIG. 1

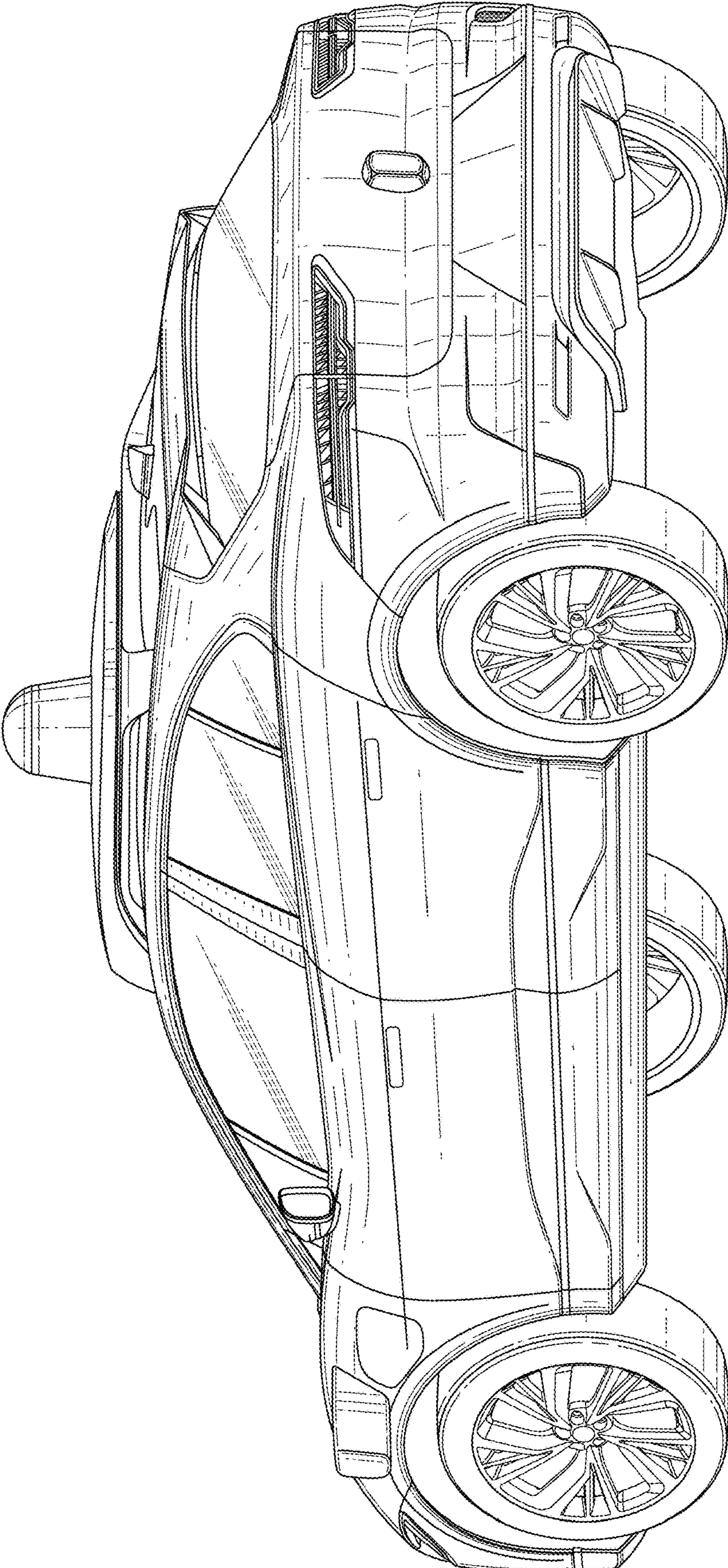


FIG. 2

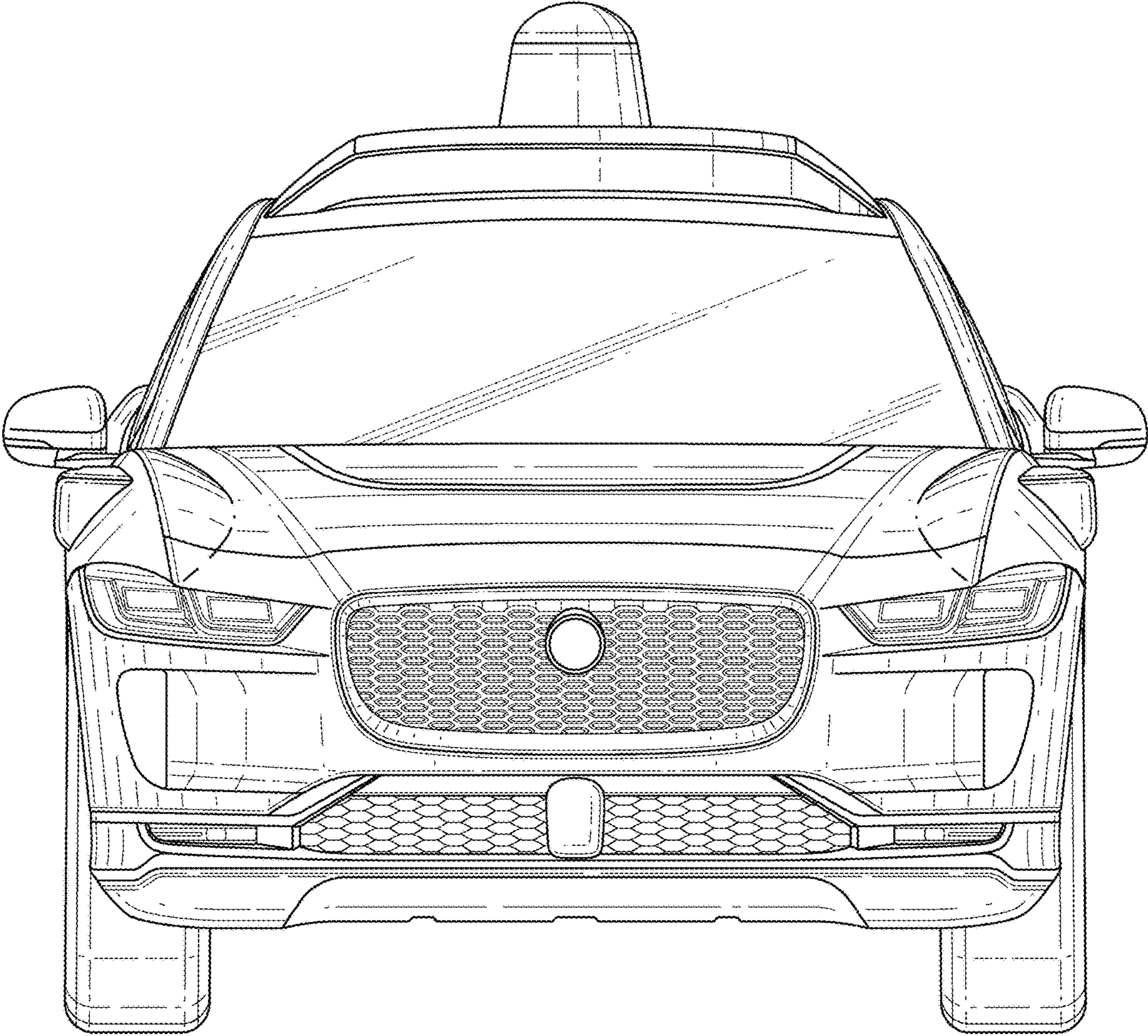


FIG. 3

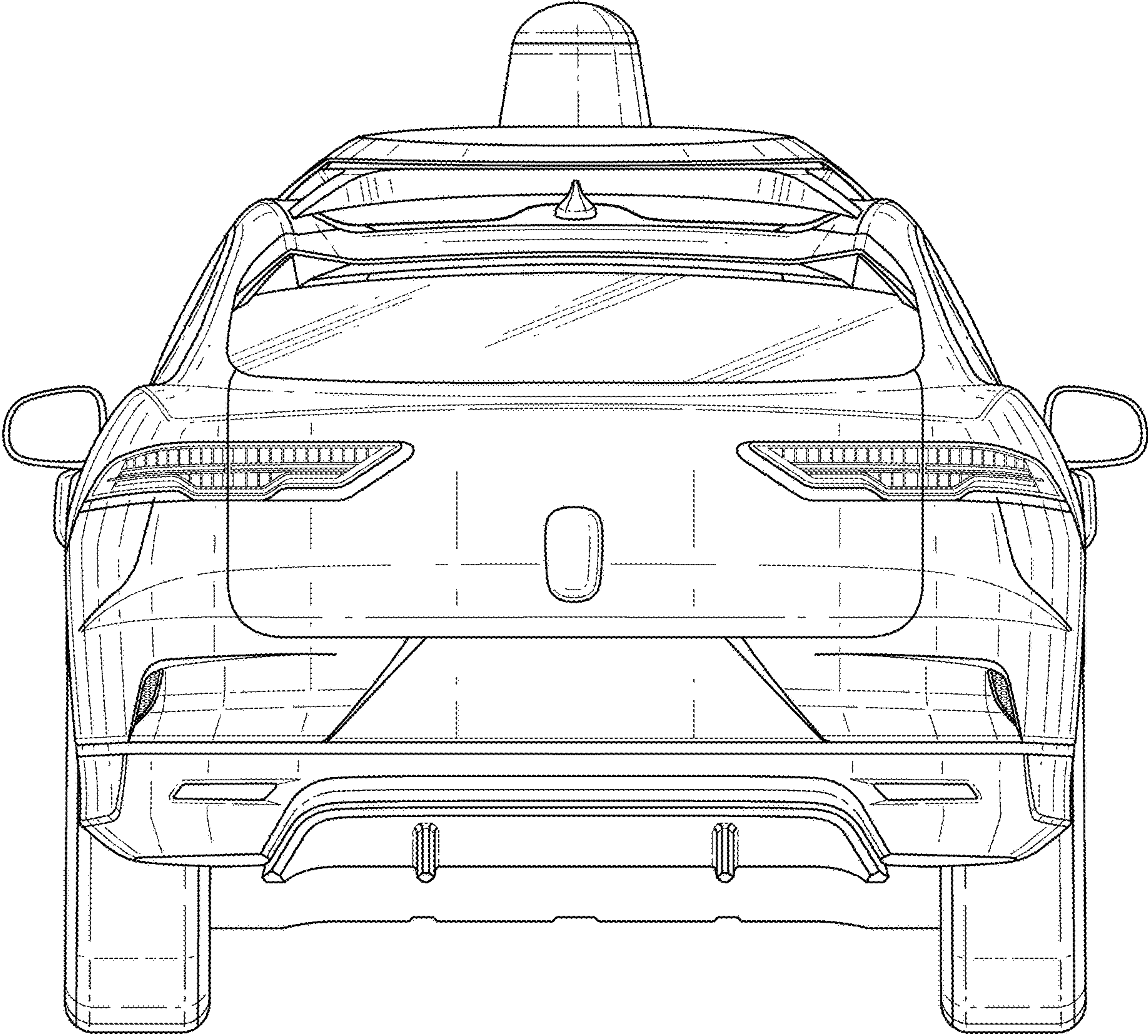


FIG. 4

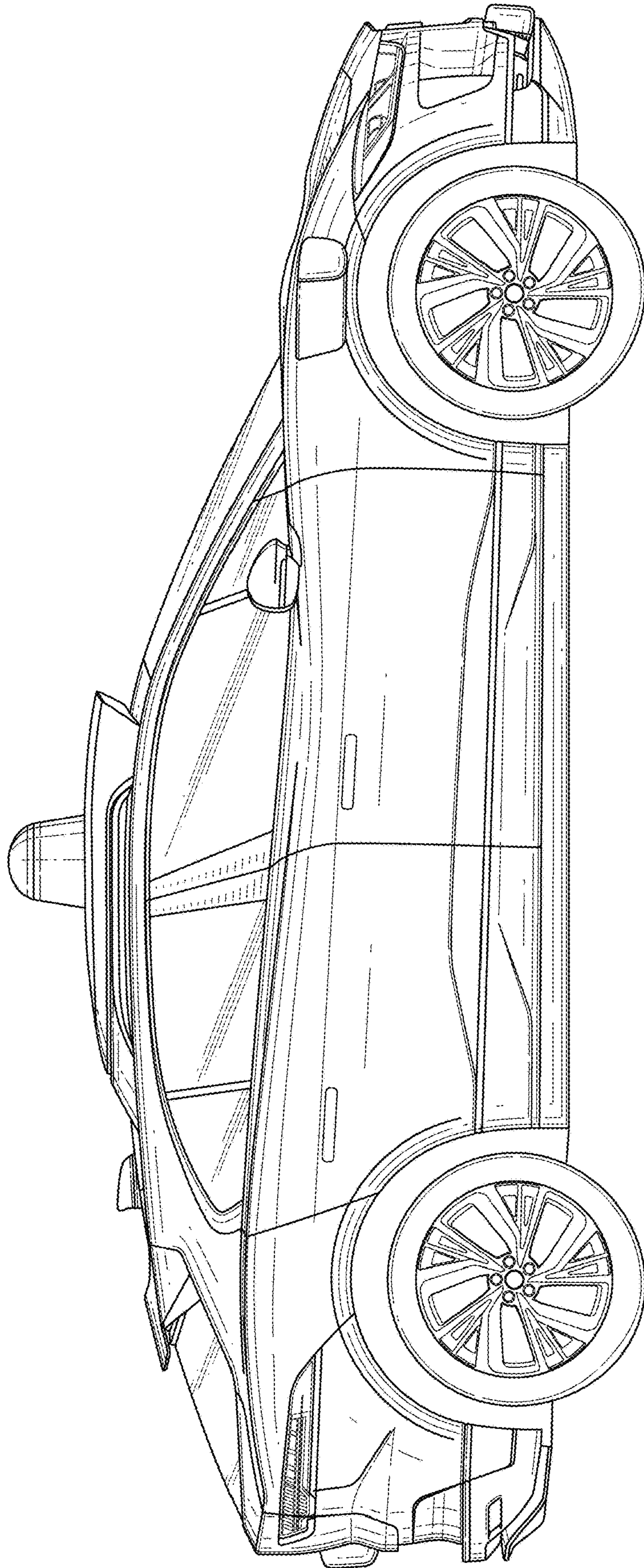


FIG. 5

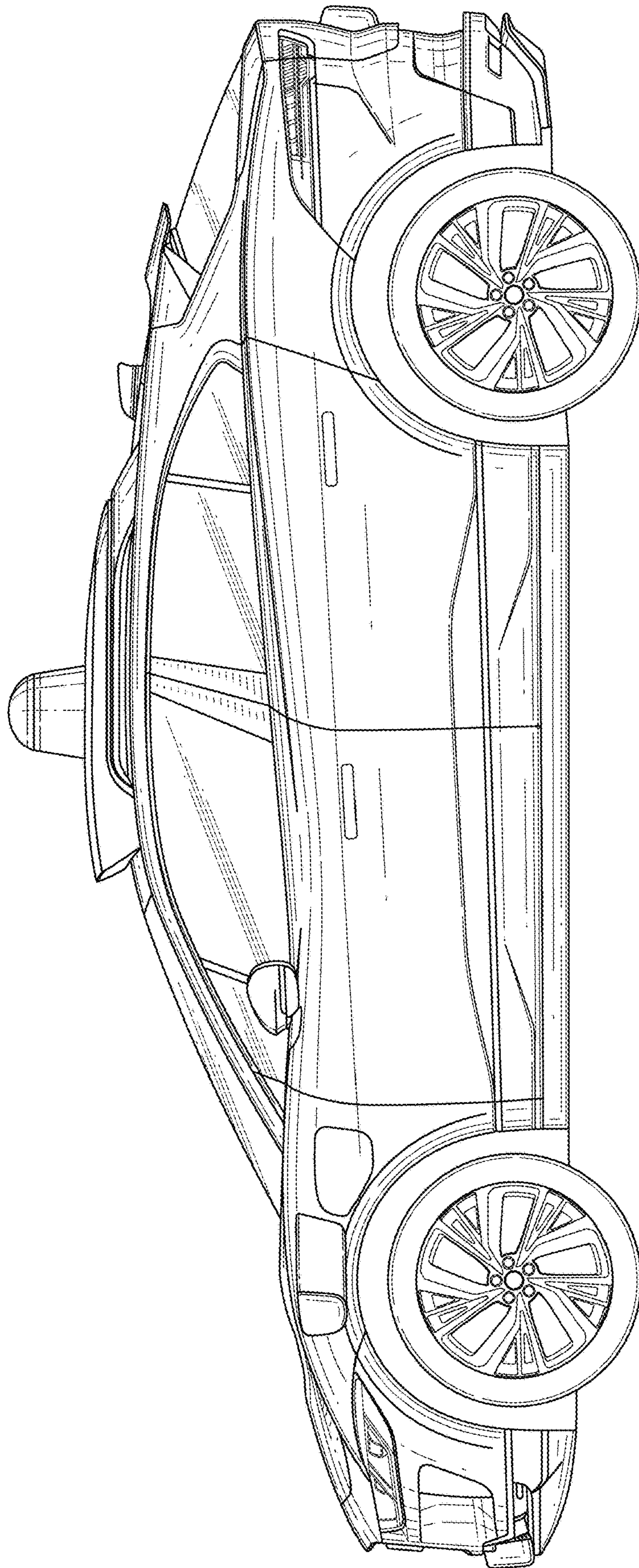


FIG. 6

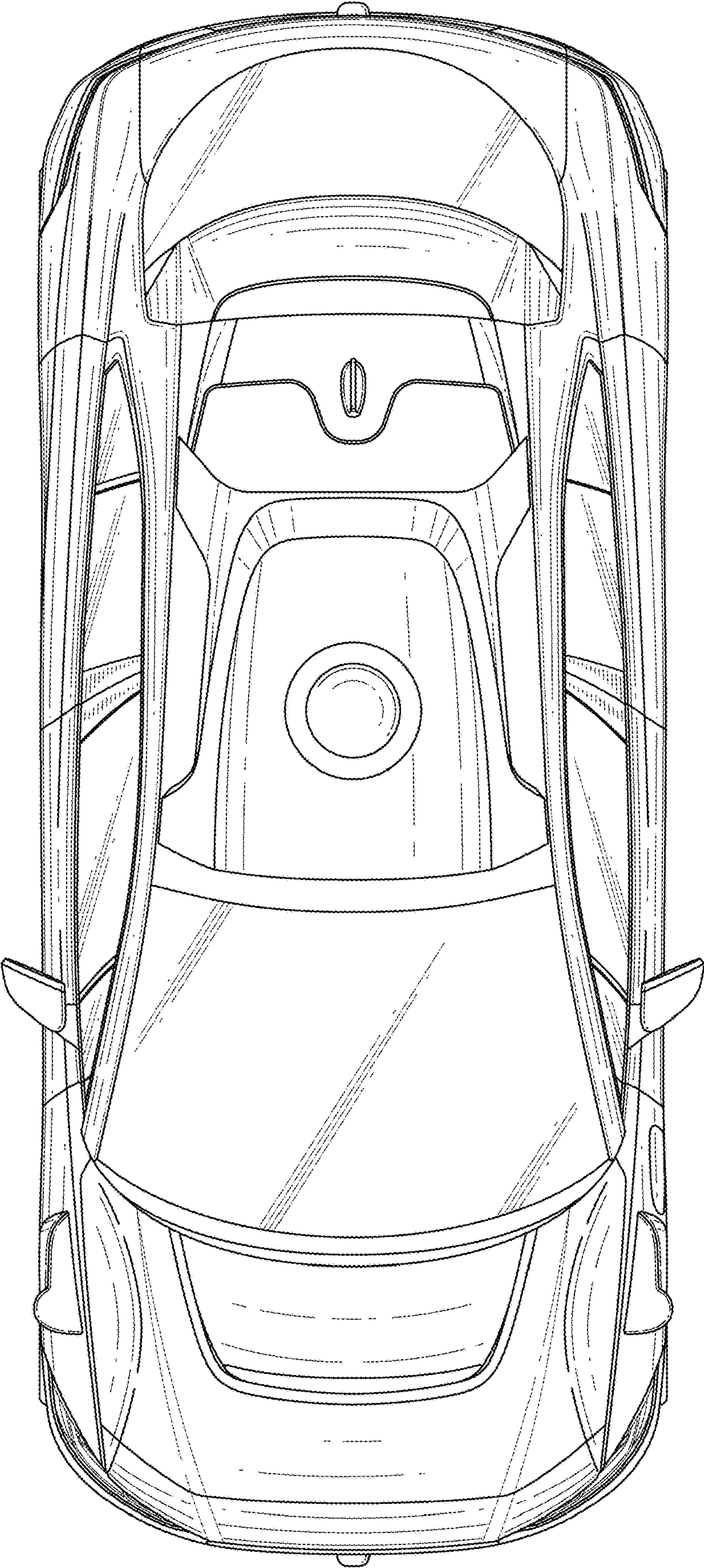


FIG. 7