



US00D906171S

(12) **United States Design Patent**
Chen et al.

(10) **Patent No.:** **US D906,171 S**
(45) **Date of Patent:** **** Dec. 29, 2020**

(54) **AERIAL VEHICLE**

(71) Applicant: **SZ DJI Technology Co., Ltd.**,
Shenzhen (CN)

(72) Inventors: **Shaojie Chen**, Shenzhen (CN); **Yumian Deng**, Shenzhen (CN)

(73) Assignee: **SZ DJI Technology Co., Ltd.**,
Shenzhen (CN)

(**) Term: **15 Years**

(21) Appl. No.: **29/658,951**

(22) Filed: **Aug. 3, 2018**

Related U.S. Application Data

(63) Continuation of application No. 29/592,589, filed on
Jan. 31, 2017, now Pat. No. Des. 852,673, which is a
(Continued)

(51) **LOC (12) Cl.** **12-07**

(52) **U.S. Cl.**
USPC **D12/16.1; D21/441**

(58) **Field of Classification Search**
USPC D12/16.1, 319, 323, 326, 335, 345, 327,
D12/328, 329, 330, 343, 331, 344;
(Continued)

(56) **References Cited**

U.S. PATENT DOCUMENTS

D648,808 S 11/2011 Seydoux et al.
D695,674 S 12/2013 Nolan et al.

(Continued)

FOREIGN PATENT DOCUMENTS

CN 302790451 S 4/2014
CN 302814372 S 5/2014

(Continued)

OTHER PUBLICATIONS

Mavic, posted at DJI.com, posted on © 2017, site visited Apr. 11,
2017, <<http://www.dji.com/mavic>>.

(Continued)

Primary Examiner — Dana K Weiland

Assistant Examiner — Messina L Smith

(74) *Attorney, Agent, or Firm* — Sterne, Kessler,
Goldstein & Fox P.L.L.C.

(57) **CLAIM**

The ornamental design for an aerial vehicle, as shown and
described.

DESCRIPTION

FIG. 1 is a top front perspective view of an aerial vehicle
showing the claimed design;

FIG. 2 is a front view thereof;

FIG. 3 is a rear view thereof;

FIG. 4 is a left side view thereof;

FIG. 5 is a right side view thereof;

FIG. 6 is a top view thereof;

FIG. 7 is a bottom view thereof;

FIG. 8 is a top front perspective view of the aerial vehicle
of FIG. 1 in an alternate position;

FIG. 9 is a front view thereof;

FIG. 10 is a rear view thereof;

FIG. 11 is a left side view thereof;

FIG. 12 is a right side view thereof;

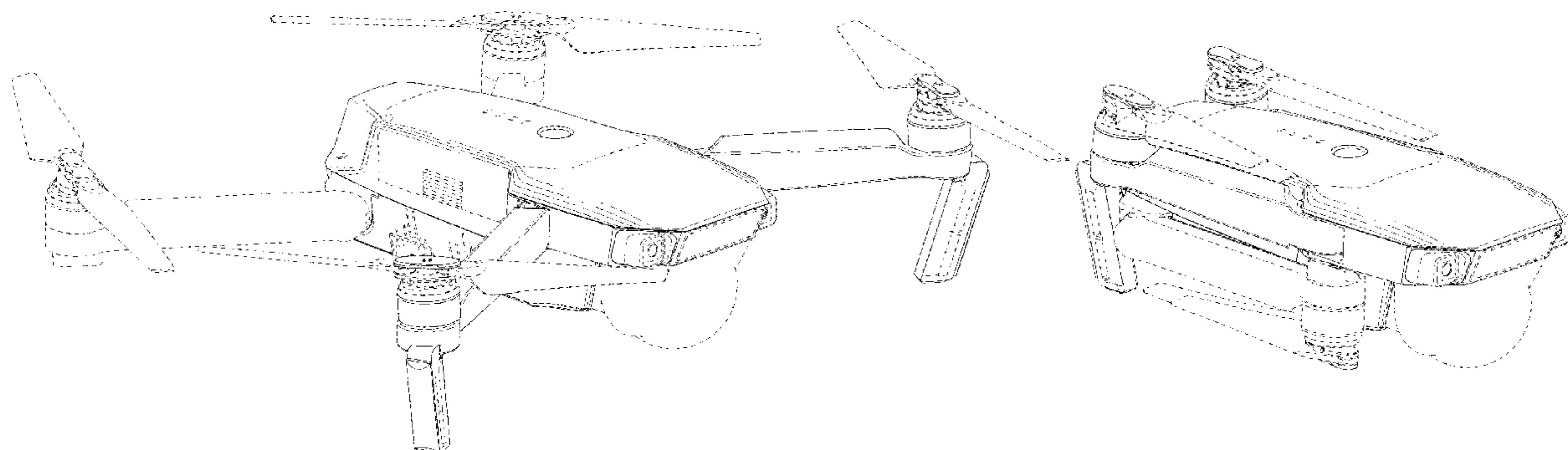
FIG. 13 is a top view thereof; and,

FIG. 14 is a bottom view thereof.

The dashed broken lines in the figures show portions of the
aerial vehicle that form no part of the claimed design.

The shade lines in the figures show contour and not surface
ornamentation.

1 Claim, 11 Drawing Sheets



Related U.S. Application Data

continuation of application No. 29/555,483, filed on Feb. 22, 2016, now Pat. No. Des. 814,970.

(58) **Field of Classification Search**

USPC D21/441, 453, 436, 438, 440, 442, 443, D21/446, 447, 448, 449, 450, 451
CPC B64C 39/024; B64C 39/00; B64C 27/08; B64C 2201/024; B64C 2201/00; B64C 2201/021; B64C 2201/12; B64C 2201/123; B64C 2201/146; B64C 1/00; B64C 3/10; B64C 11/16; B64C 2203/00

See application file for complete search history.

(56) **References Cited**

U.S. PATENT DOCUMENTS

D710,452 S 8/2014 Barajas et al.
D710,454 S 8/2014 Barajas et al.
D741,779 S 10/2015 Hsiao et al.
9,296,477 B1 3/2016 Coburn
D768,539 S 10/2016 Lee
D768,789 S 10/2016 Fargeau et al.
D772,991 S 11/2016 Caubel et al.
D777,263 S 1/2017 Lavagen et al.
D782,365 S 3/2017 Hung
9,663,236 B1 5/2017 Shiosaki et al.
D793,486 S 8/2017 Lee et al.
D795,741 S 8/2017 Li
D795,742 S 8/2017 Li
D795,743 S 8/2017 Li
D797,602 S 9/2017 Li
D803,328 S 11/2017 Lee
D805,431 S 12/2017 Li
D808,301 S 1/2018 Goldy
9,896,195 B2 2/2018 Ou
D813,724 S 3/2018 Hu
D814,973 S 4/2018 Li
D816,582 S 5/2018 Liang et al.
D818,872 S 5/2018 Ho
D818,874 S 5/2018 Tian et al.
D819,749 S 6/2018 Caubel et al.
10,037,028 B2 7/2018 Loianno et al.
D825,379 S 8/2018 Gury et al.
D825,381 S 8/2018 Meugnier et al.
D827,723 S 9/2018 Barajas et al.
D827,724 S 9/2018 Barajas et al.
D828,222 S 9/2018 Yu
D830,946 S 10/2018 Matus
D843,267 S 3/2019 Gao
D849,154 S * 5/2019 Zhao D21/436
D850,978 S * 6/2019 Gao D12/16.1
10,317,915 B2 * 6/2019 Tankersley G05D 1/0094
D852,673 S * 7/2019 Chen D12/16.1
D853,279 S * 7/2019 Gan D12/16.1
D853,312 S * 7/2019 Gao D12/345
D854,448 S * 7/2019 Chen D12/16.1
10,336,451 B2 * 7/2019 Saika B64C 39/024
D855,705 S * 8/2019 Zhao D21/436
D856,848 S * 8/2019 Kim D12/16.1
D857,105 S * 8/2019 Zhang D21/441
10,377,484 B2 * 8/2019 Taylor G01S 19/48
D858,352 S * 9/2019 Gan D12/16.1
D860,047 S * 9/2019 Gan D12/16.1
D860,048 S * 9/2019 Caubel D12/16.1
10,418,853 B2 * 9/2019 Yang G05D 1/0676
D861,573 S * 10/2019 He D12/328
D862,285 S * 10/2019 Tompkin D12/16.1
D862,359 S * 10/2019 Chen D12/328
D862,360 S * 10/2019 Liang D12/328
D864,022 S * 10/2019 Gan D12/16.1
D864,083 S * 10/2019 Zhou D12/328
D866,396 S * 11/2019 Chen D12/16.1
D867,470 S * 11/2019 Haley D21/436
10,491,272 B2 * 11/2019 Gasnier H04B 7/0404
D869,375 S * 12/2019 Kim D12/328

D870,638 S * 12/2019 Kuanliang D12/328
10,507,671 B1 * 12/2019 Wang B41J 3/4073
D872,004 S * 1/2020 Nunes D12/328
D873,175 S * 1/2020 Li D12/16.1
D874,338 S * 2/2020 Zhao D12/16.1
10,551,833 B2 * 2/2020 Kim H04N 5/2257
D881,067 S 4/2020 Zhou
D882,460 S 4/2020 Chen
D883,140 S 5/2020 Chen
D884,554 S 5/2020 Chen
10,661,891 B2 5/2020 Baek et al.
10,683,089 B2 6/2020 Matus
2010/0224721 A1 9/2010 Wood et al.
2015/0336670 A1 11/2015 Zhang
2016/0001879 A1 1/2016 Johannesson et al.
2016/0062364 A1 3/2016 Foinet et al.
2016/0122017 A1 5/2016 Welker et al.
2016/0236777 A1 8/2016 Tang
2016/0313732 A1 10/2016 Seydoux et al.
2016/0313742 A1 10/2016 Wang
2017/0001721 A1 1/2017 Saika et al.
2017/0015418 A1 1/2017 Matus
2017/0078552 A1 3/2017 Pochon et al.
2017/0178618 A1 6/2017 Beckman et al.
2017/0183074 A1 6/2017 Hutson et al.
2018/0002023 A1 1/2018 Tian et al.
2018/0016022 A1 1/2018 Ljung
2018/0032087 A1 2/2018 Liné
2018/0050799 A1 2/2018 Erhart et al.
2018/0093781 A1 4/2018 Mallinson
2018/0095468 A1 4/2018 Yang et al.
2018/0111685 A1 4/2018 Tian et al.
2018/0129913 A1 5/2018 Vauchier et al.
2018/0143636 A1 5/2018 Pinto
2018/0149947 A1 5/2018 Kim
2018/0183496 A1 6/2018 Gasnier
2018/0208301 A1 7/2018 Ye
2019/0039719 A1 2/2019 Baek et al.
2019/0130889 A1 * 5/2019 Matus, Jr. G10K 11/178
2019/0135432 A1 * 5/2019 Matus G06K 9/00342
2019/0144100 A1 5/2019 Samir
2019/0161178 A1 * 5/2019 Lin B64C 27/008
2019/0185169 A1 * 6/2019 Xu H01M 2/263
2019/0210720 A1 * 7/2019 Beckman B64C 27/57
2019/0217939 A1 * 7/2019 Xiong B64C 1/068
2019/0241259 A1 * 8/2019 Tsutsumi B64C 39/02
2019/0248486 A1 * 8/2019 Chen B64C 27/006
2019/0256203 A1 * 8/2019 Park H02K 7/00
2019/0258139 A1 * 8/2019 Overall G03B 17/563
2019/0263530 A1 * 8/2019 Pike B64D 27/26
2019/0303990 A1 * 10/2019 Quinn G05D 1/0044
2019/0315235 A1 * 10/2019 Kung B64F 1/22
2019/0322342 A1 * 10/2019 Dabbous E21B 41/04
2019/0324447 A1 * 10/2019 Ryan G05D 1/0016
2019/0337618 A1 11/2019 Zhou et al.
2019/0344679 A1 * 11/2019 Miller B60L 53/12
2019/0344889 A1 * 11/2019 Saika B64C 39/024
2019/0346562 A1 * 11/2019 Peng G01S 13/86
2019/0367167 A1 * 12/2019 Luo B60L 58/12
2019/0375510 A1 * 12/2019 Qiu B64D 47/08
2020/0001990 A1 * 1/2020 Jiang B64D 35/00
2020/0023964 A1 * 1/2020 Valente B64C 29/0033
2020/0023995 A1 * 1/2020 Song B64D 47/08
2020/0031471 A1 * 1/2020 Datta Gupta B60K 15/04
2020/0041623 A1 * 2/2020 Keyetieu G01S 17/89
2020/0041996 A1 * 2/2020 Bachrach B64C 39/00
2020/0043184 A1 * 2/2020 Zhang G05D 1/12
2020/0044463 A1 * 2/2020 Kim B64C 39/02
2020/0062393 A1 2/2020 Yoon et al.
2020/0102061 A1 4/2020 Cai et al.
2020/0108914 A1 4/2020 Yoo et al.
2020/0148350 A1 5/2020 Nong et al.
2020/0156789 A1 5/2020 Xiao et al.
2020/0164957 A1 5/2020 Xu
2020/0165008 A1 5/2020 Krauss et al.

(56)

References Cited

U.S. PATENT DOCUMENTS

2020/0184706 A1 6/2020 Speasl et al.
2020/0184829 A1 6/2020 Jager

FOREIGN PATENT DOCUMENTS

CN 302948755 S 9/2014
CN 303142773 S 3/2015
CN 303189591 S 4/2015
CN 303197220 S 5/2015
CN 303255986 S 6/2015
CN 303274617 S 7/2015
CN 303357300 S 9/2015
CN 303386206 S 9/2015
CN 303403033 S 10/2015
CN 303414891 S 10/2015
CN 303478219 S 12/2015

CN 303491327 S 12/2015
CN 303562865 S 1/2016
CN 303562867 S 1/2016
CN 205971800 U 2/2017
CN 205998124 U 3/2017
JP D1498091 5/2014
JP D1538530 11/2015
KR 30-0819718 10/2015
WO WO 2010-036419 A2 4/2010
WO WO D088991-0002 1/2016

OTHER PUBLICATIONS

DJI Mavic Pro review, posted on CNET.com, posted on Nov. 12, 2016, site visited Apr. 11, 2017, <<https://www.cnet.com/products/dji-mavic-pro/review/>>.

The DJI Mavic is Here!, posted at Topfivedrones.com, posted on Sep. 29, 2016, <<http://topfivedrones.com/the-dji-mavic-is-here/>>.

* cited by examiner

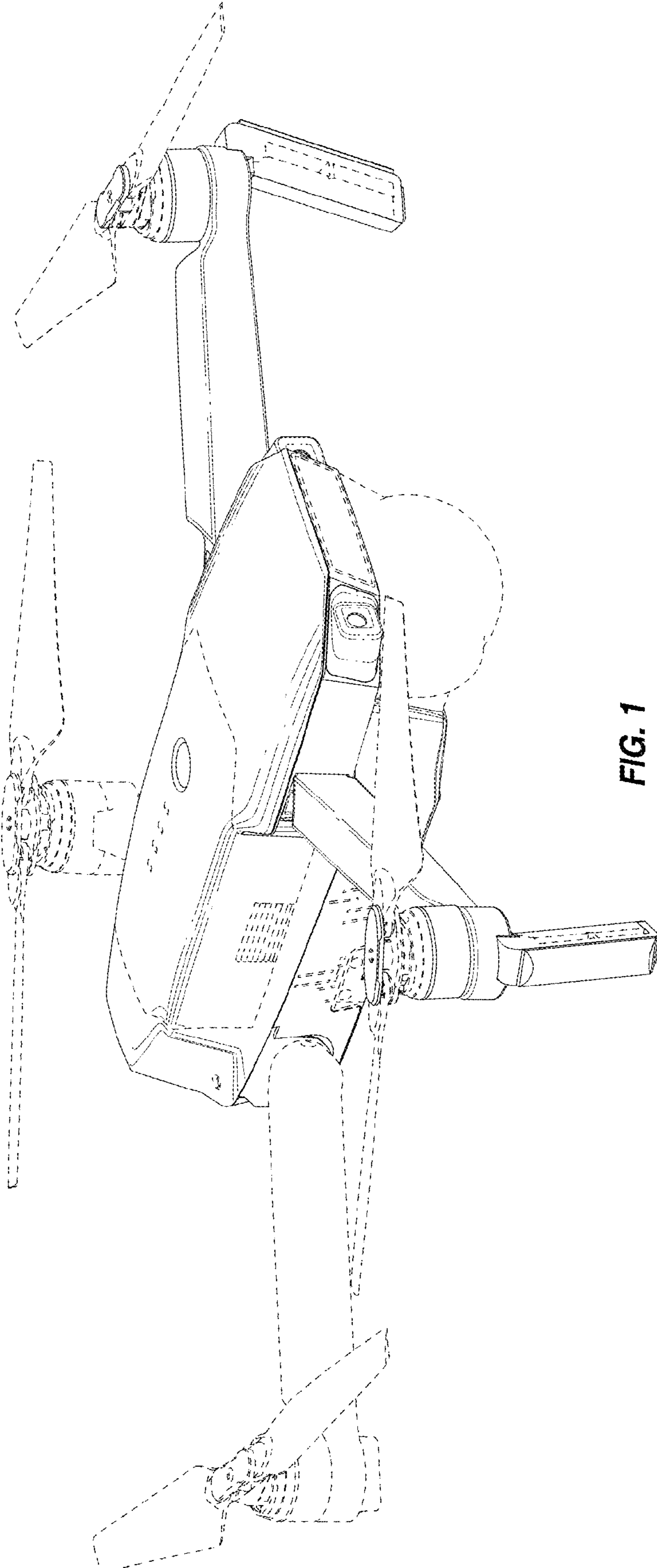


FIG. 1

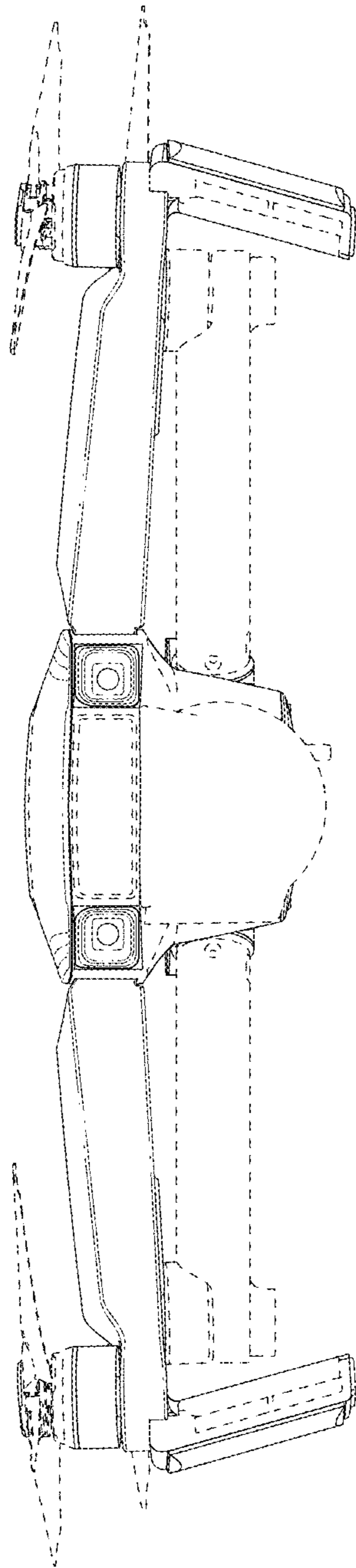


FIG. 2

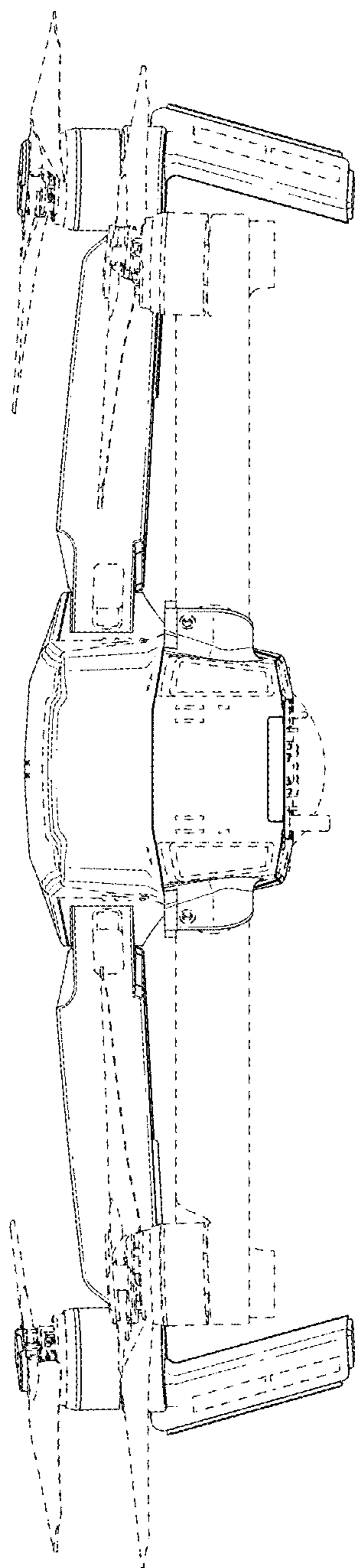


FIG. 3

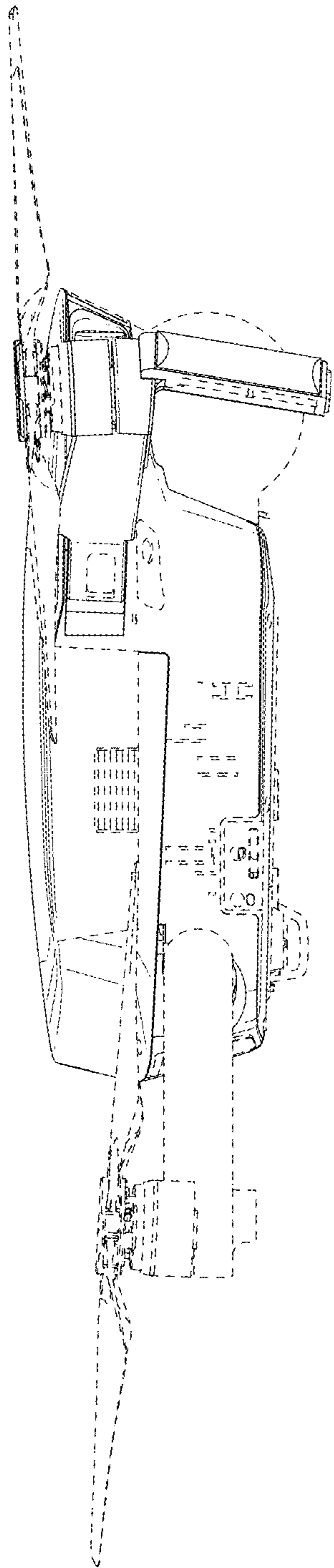


FIG. 4

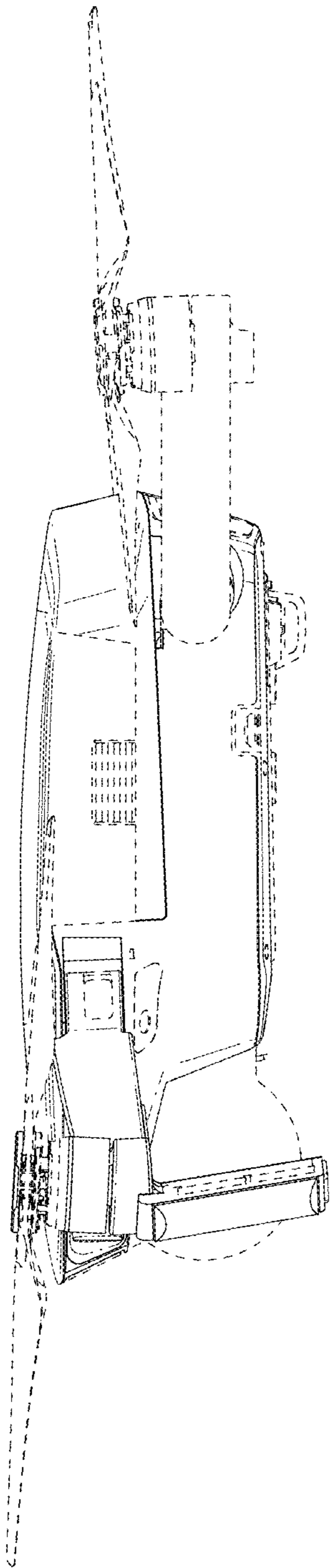


FIG. 5

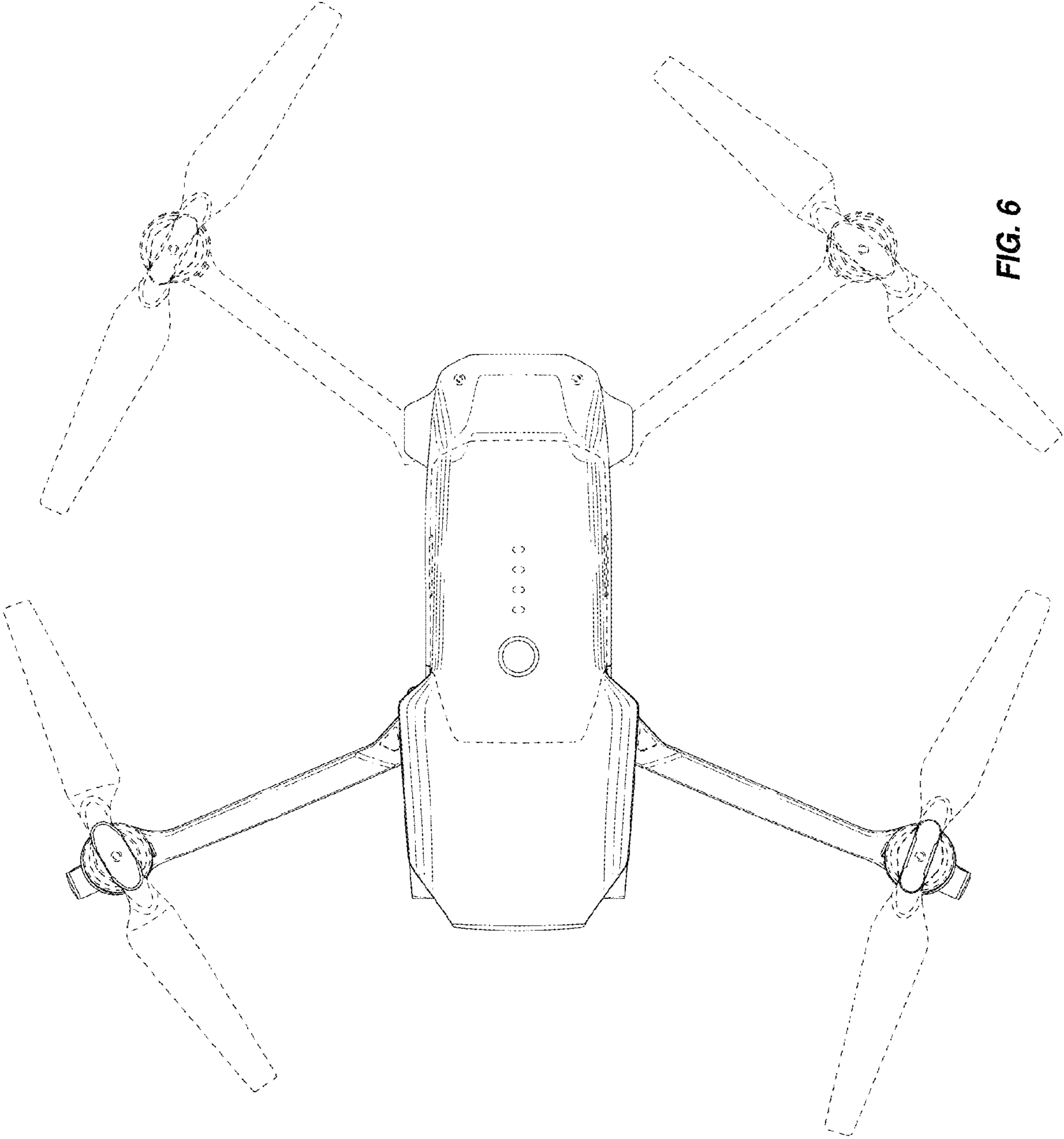


FIG. 6

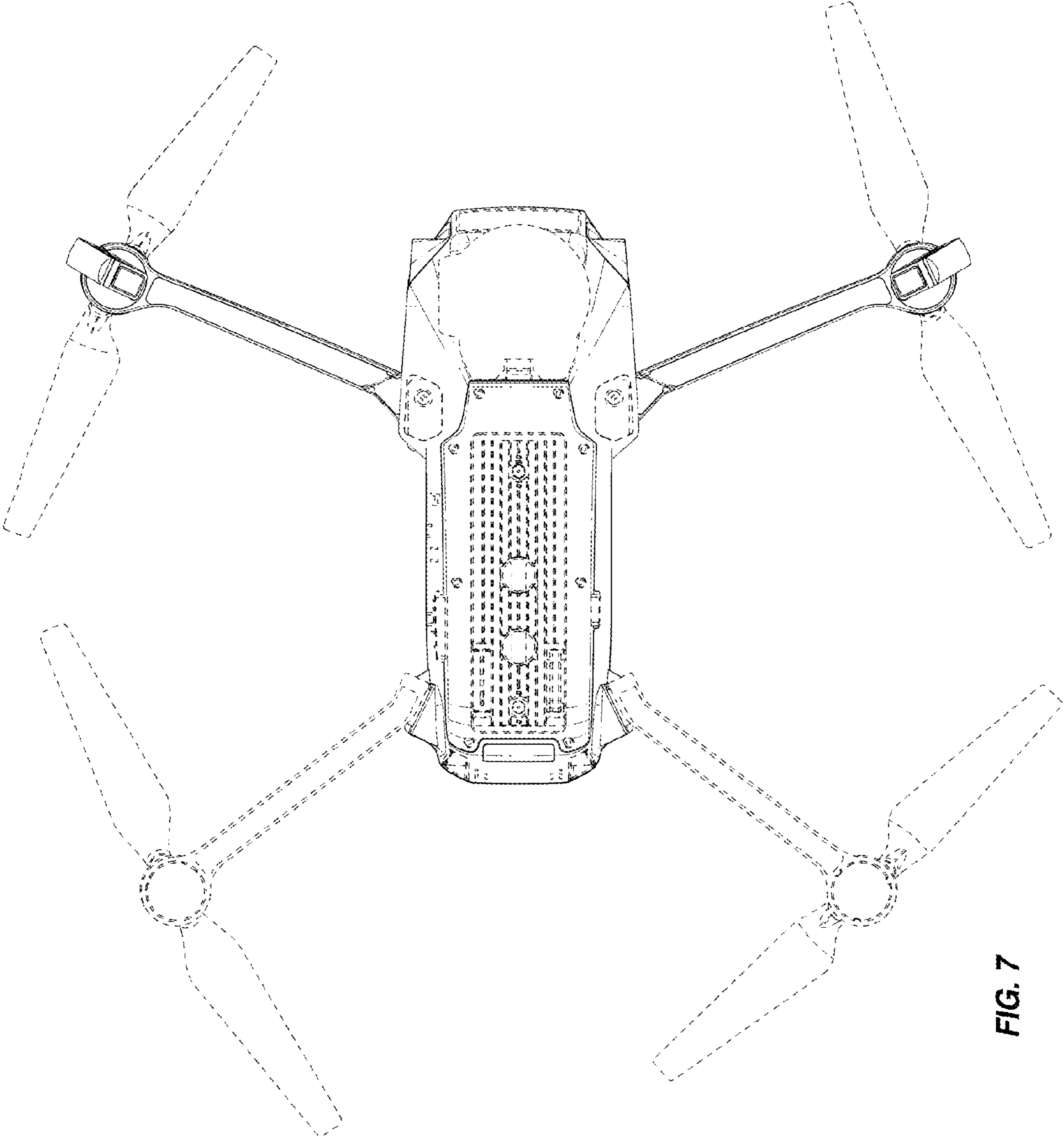


FIG. 7

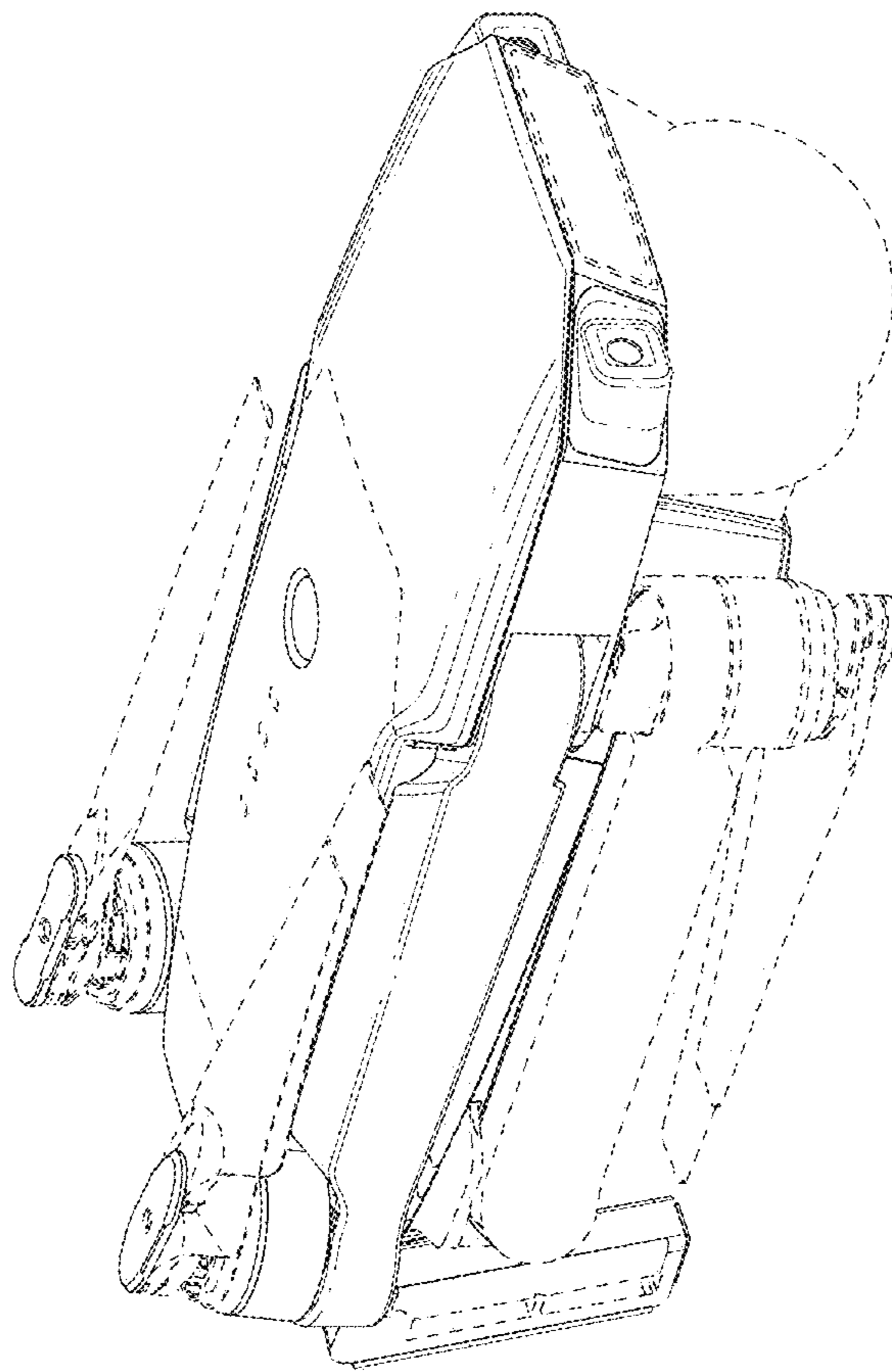


FIG. 8

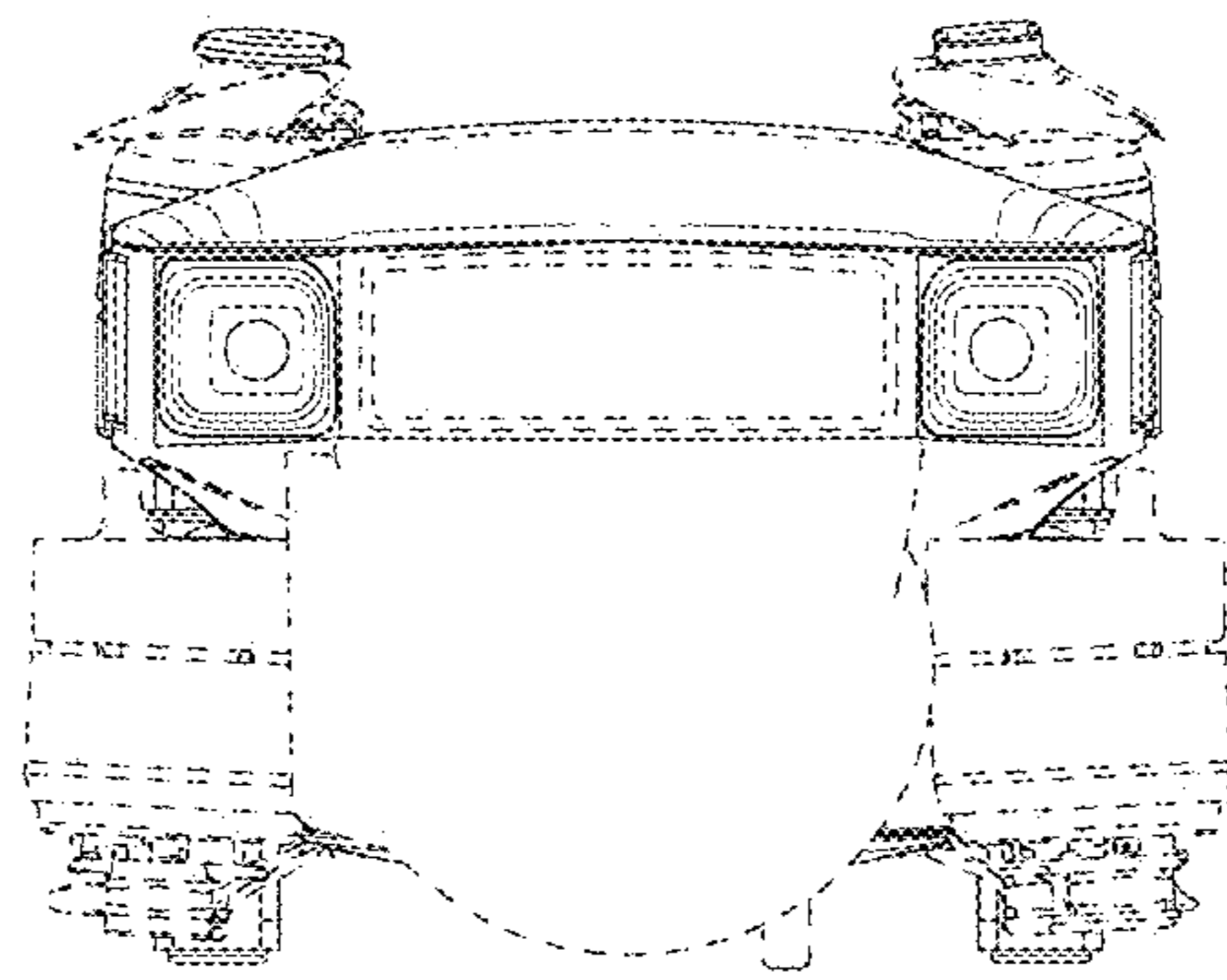


FIG. 9

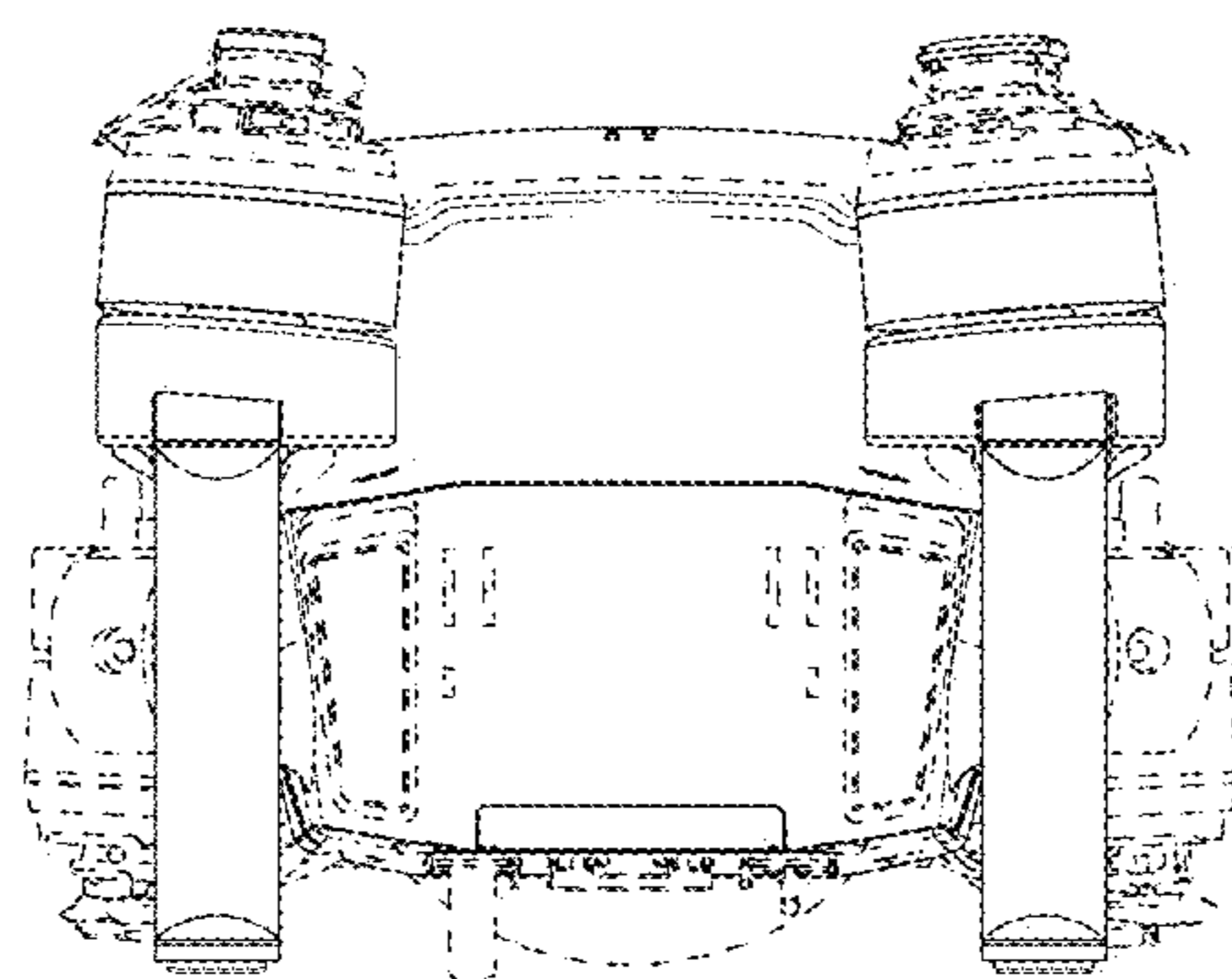


FIG.10

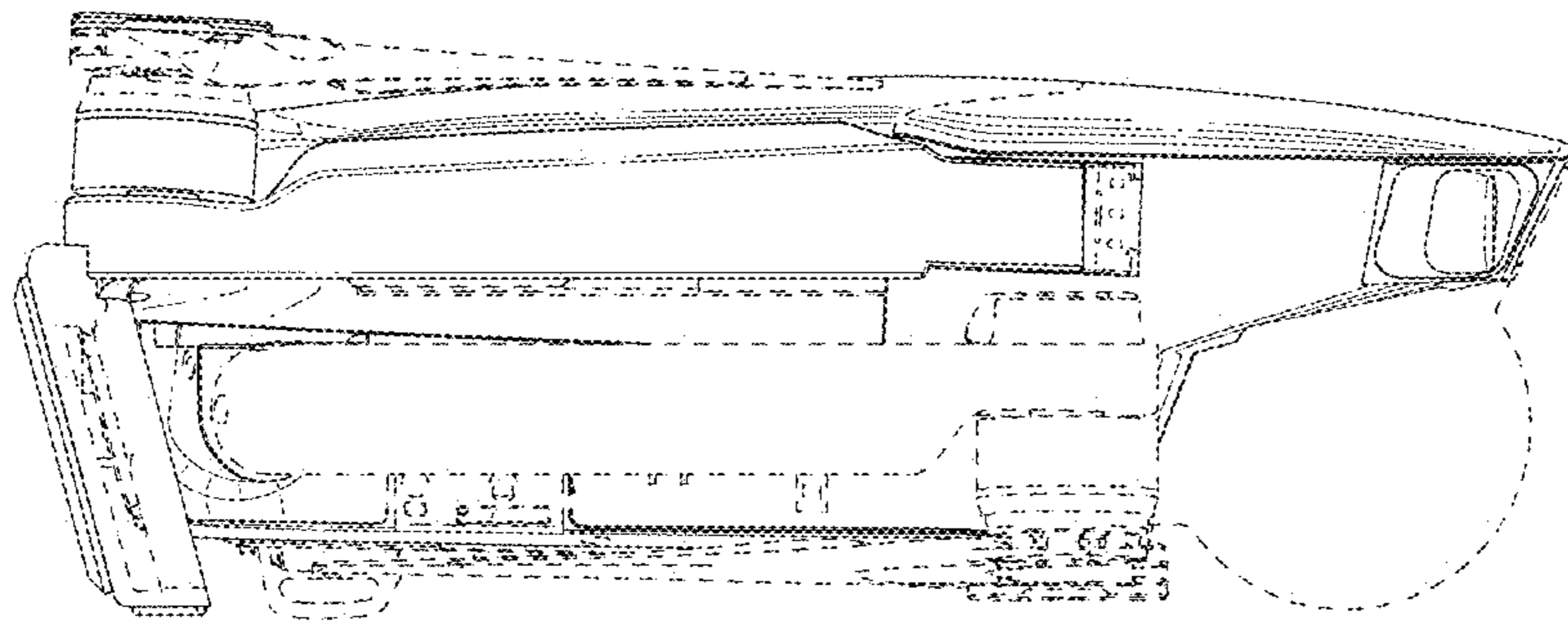


FIG. 11

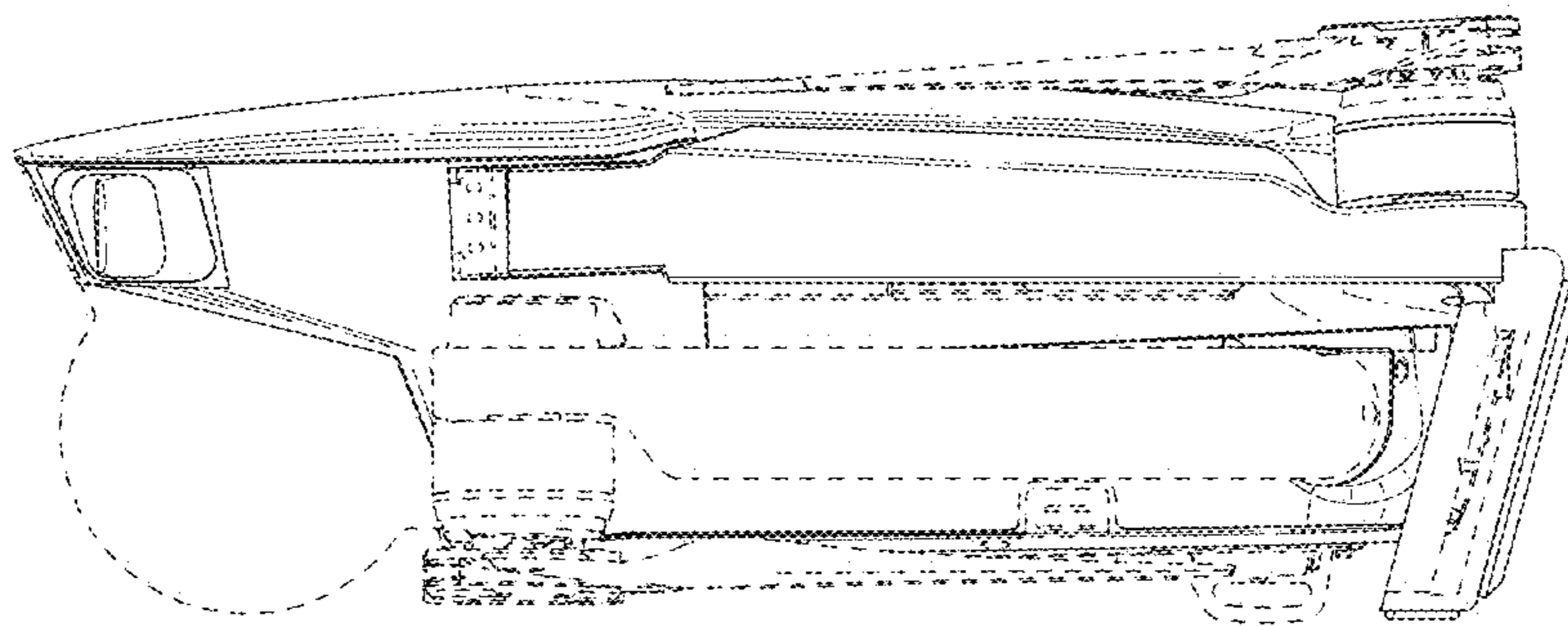


FIG. 12

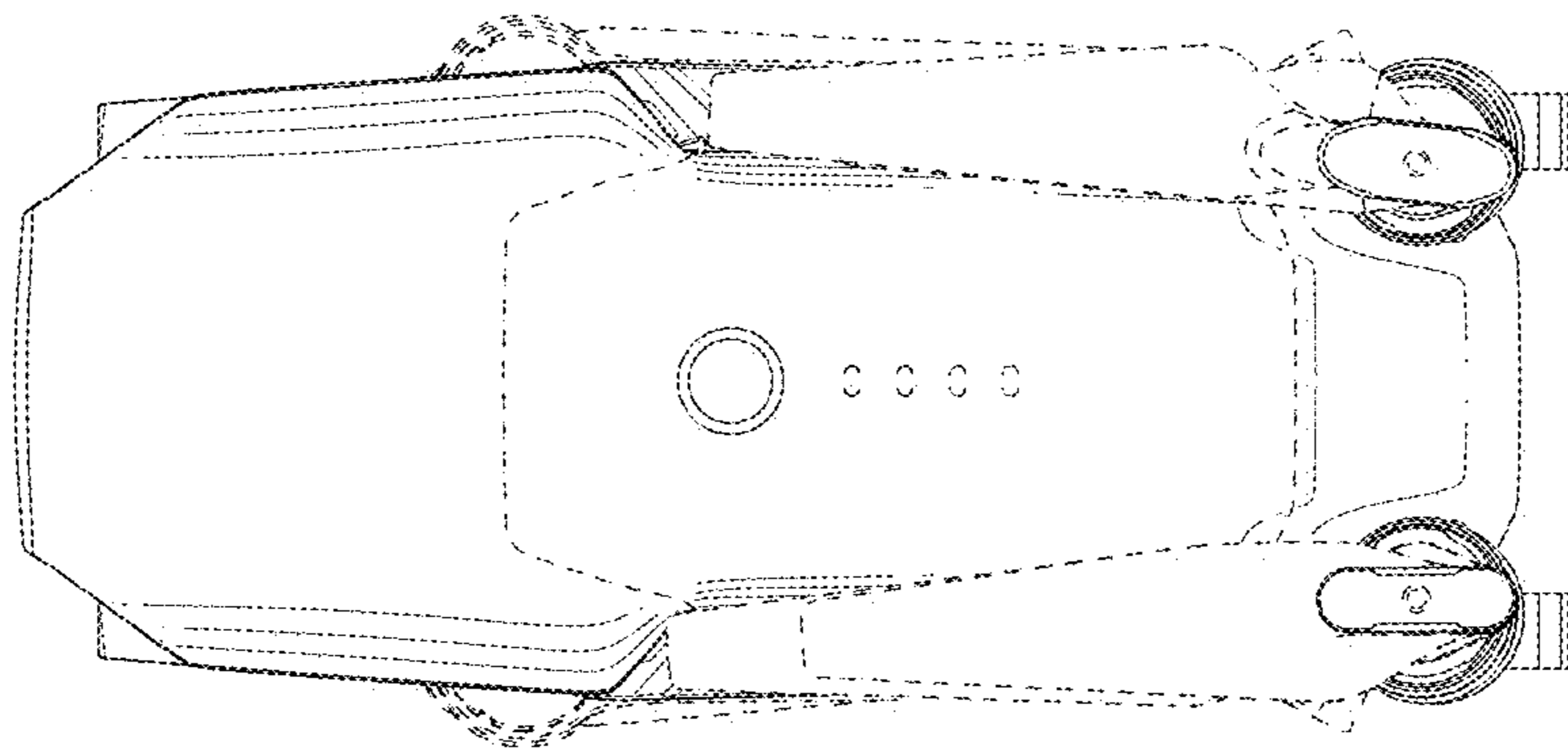


FIG. 13

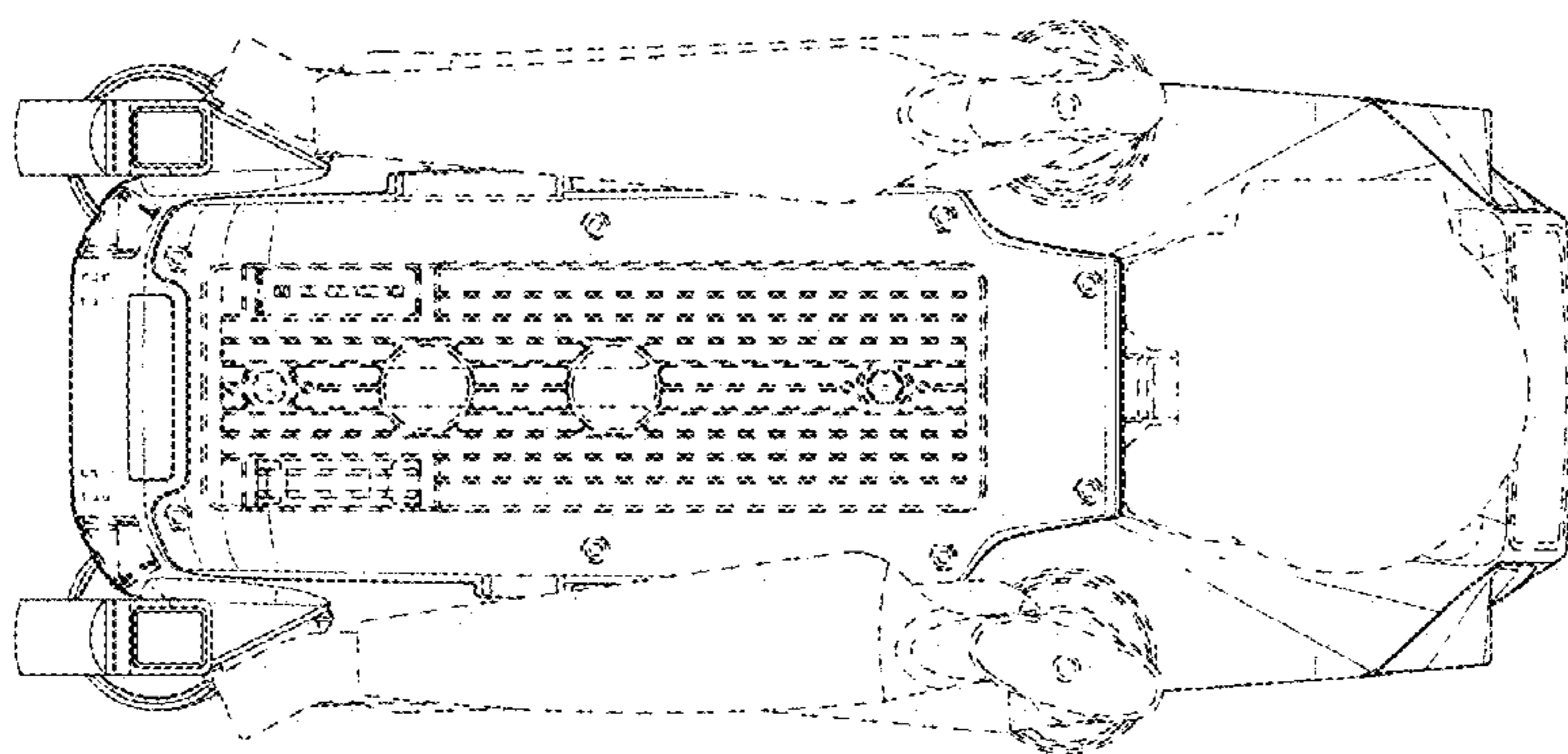


FIG. 14