



US00D906169S

(12) **United States Design Patent** (10) **Patent No.:** **US D906,169 S**  
**Hsu et al.** (45) **Date of Patent:** **\*\* \*Dec. 29, 2020**

(54) **SLIDER FOR SLIDE FASTENER** 7,506,417 B2 \* 3/2009 Yoneoka ..... A44B 19/301  
24/386  
(71) Applicant: **YKK Corporation**, Tokyo (JP) D643,336 S \* 8/2011 Di Girolami ..... D11/221  
D655,645 S \* 3/2012 Gut ..... D11/221  
(72) Inventors: **Hsien Hsiang Hsu**, Taipei (TW); D655,647 S \* 3/2012 Hamada ..... D11/221  
**Shinya Honda**, Taipei (TW); **Aya** D804,989 S \* 12/2017 Hung ..... D11/221  
**Matsushima**, Tokyo (JP) 2013/0318751 A1 \* 12/2013 Lin ..... A44B 19/42  
24/429

(Continued)

(73) Assignee: **YKK Corporation**

FOREIGN PATENT DOCUMENTS

(\*) Notice: This patent is subject to a terminal disclaimer.

CN 201230003806 \* 1/2012

(\*\*) Term: **15 Years**

OTHER PUBLICATIONS

(21) Appl. No.: **29/670,137**

Amazon, YaHoGa Brass Jacket Zipper, posted Dec. 26, 2017, [online], [visited May 14, 2020]. Internet, <URL: <https://www.amazon.co.uk/dp/B07J6BG72N/ref=>> (Year: 2017).\*

(22) Filed: **Nov. 14, 2018**

(Continued)

(30) **Foreign Application Priority Data**

May 25, 2018 (JP) ..... 2018-011427

(51) **LOC (12) Cl.** ..... **02-07**

(52) **U.S. Cl.**  
USPC ..... **D11/221**

(58) **Field of Classification Search**  
USPC ..... D11/200, 201, 208, 212, 215, 216, 218,  
D11/219, 220, 221, 86, 87, 93, 94, 231;  
D8/383, 382, 499, 356, 354, 367, 394  
CPC ..... A44C 23/00; A44D 2200/10; A44D  
2201/02; A44D 2201/10; A44D 2201/12;  
A44D 2201/14; A44D 2201/16; A44D  
2201/30; A44D 2201/32; A44D 2201/34;  
A44D 2201/36; A44B 19/00; A44B  
19/24; A44B 19/26; A44B 19/262; A44B  
19/265; A44B 19/303  
See application file for complete search history.

*Primary Examiner* — Sheryl Lane

*Assistant Examiner* — Samantha N Wood

(74) *Attorney, Agent, or Firm* — Kilpatrick Townsend & Stockton LLP

(57) **CLAIM**

The ornamental design for a slider for slide fastener, as shown and described.

**DESCRIPTION**

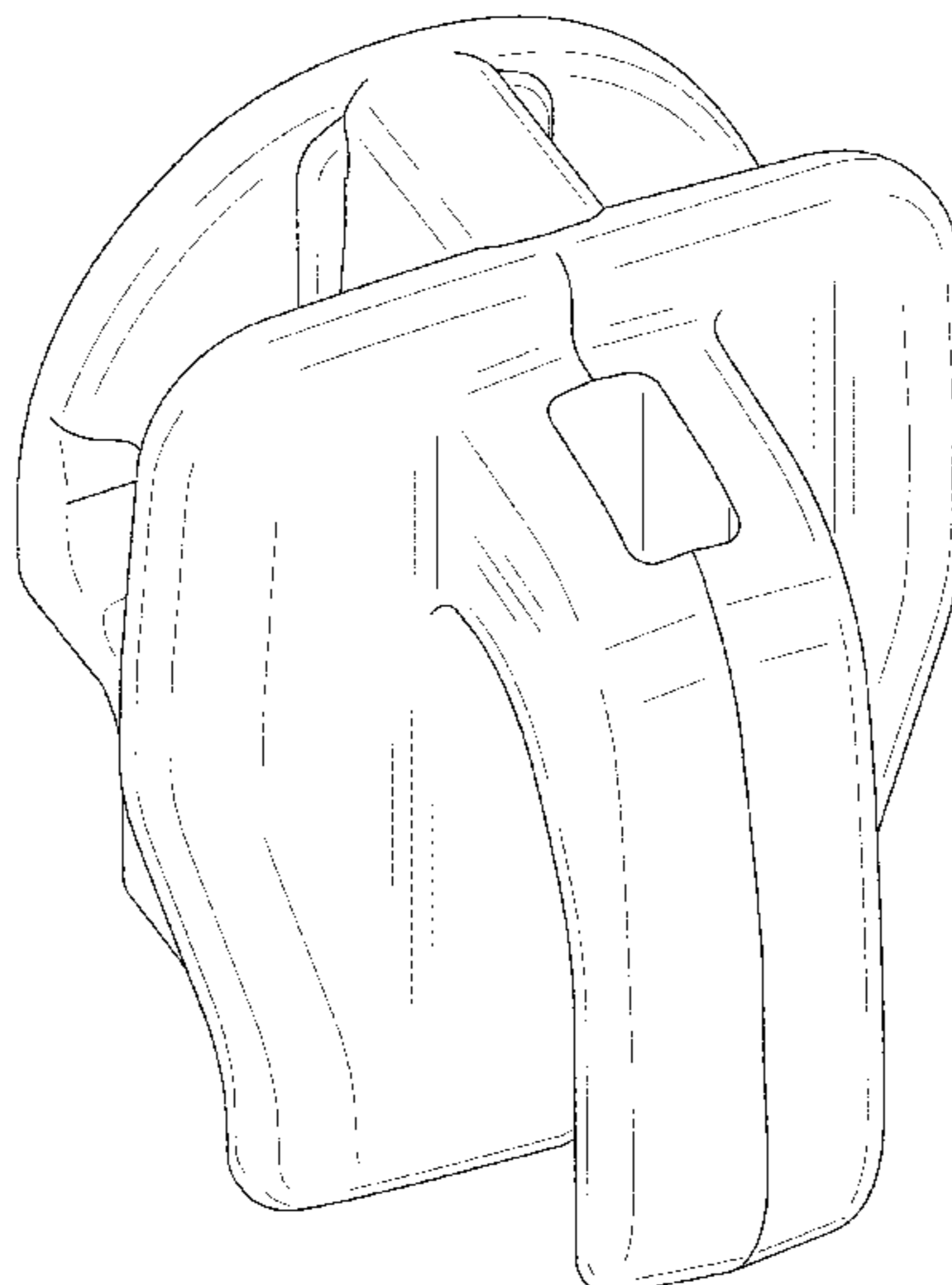
FIG. 1 is a first perspective view of the front, top and left side of a slider for slide fastener showing our new design; FIG. 2 is a second perspective view of the front, bottom and right side thereof; FIG. 3 is a front view thereof; FIG. 4 is a rear view thereof; FIG. 5 is a right side view thereof; the left side view being a mirror image thereof; FIG. 6 is a top plan view thereof; and, FIG. 7 is a bottom view thereof.

(56) **References Cited**

U.S. PATENT DOCUMENTS

D499,668 S \* 12/2004 Iwase ..... D11/221  
D558,091 S \* 12/2007 Cossutti ..... D11/221

**1 Claim, 7 Drawing Sheets**



(56)

**References Cited**

U.S. PATENT DOCUMENTS

2015/0189954 A1\* 7/2015 Yoneoka ..... A44B 19/62  
24/428  
2016/0095393 A1\* 4/2016 Lin ..... A44B 19/26  
24/403

OTHER PUBLICATIONS

Youtube, Zipper Sliders—Part 3 of Zippers Explained in Detail,  
posted Mar. 14, 2012, [online], [visited May 14, 2020]. Internet,  
<URL: <https://www.youtube.com/watch?v=JCh3DfyEUVM>> (Year:  
2012).\*

\* cited by examiner

FIG. 1



FIG. 2

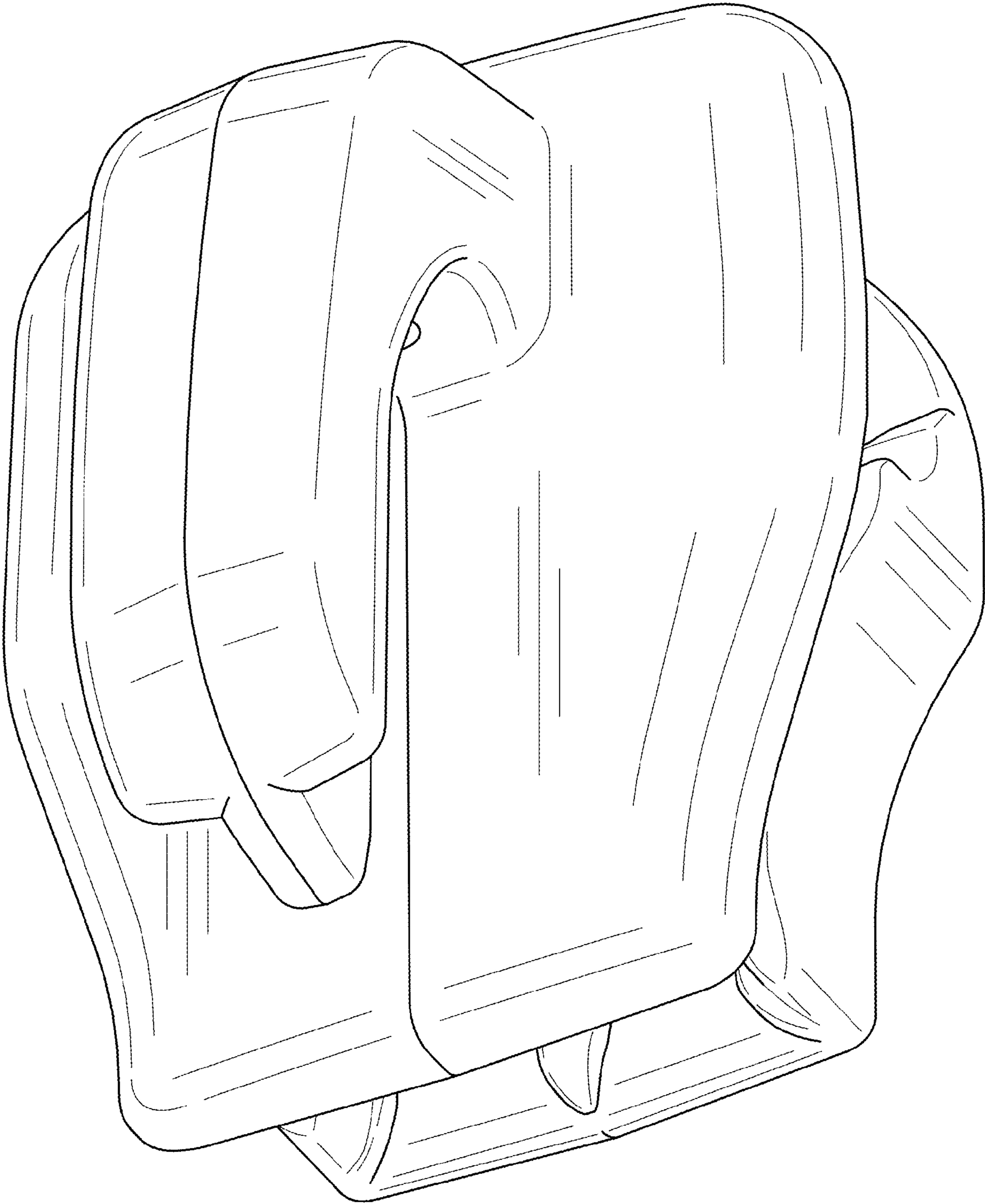


FIG. 3

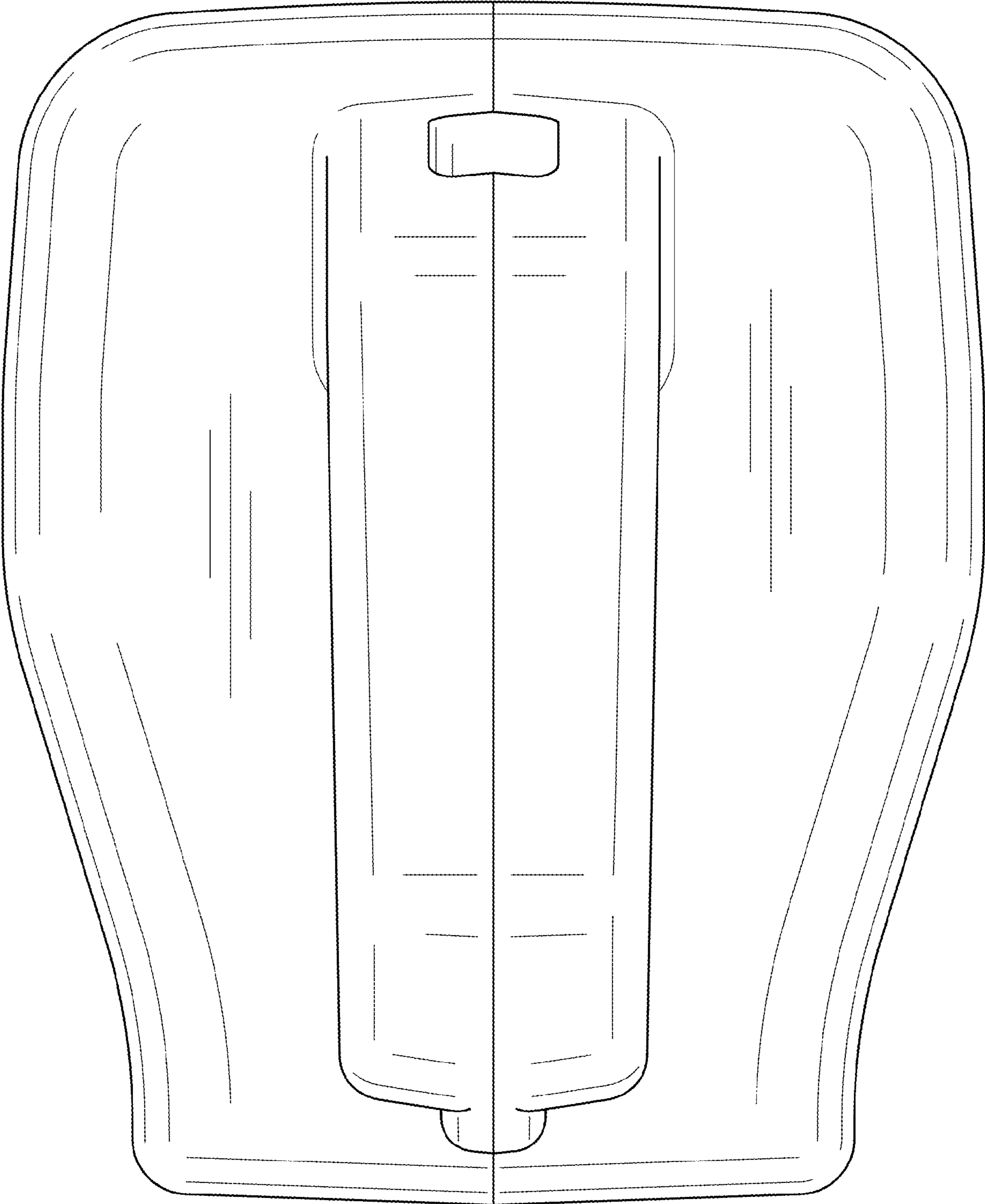


FIG. 4

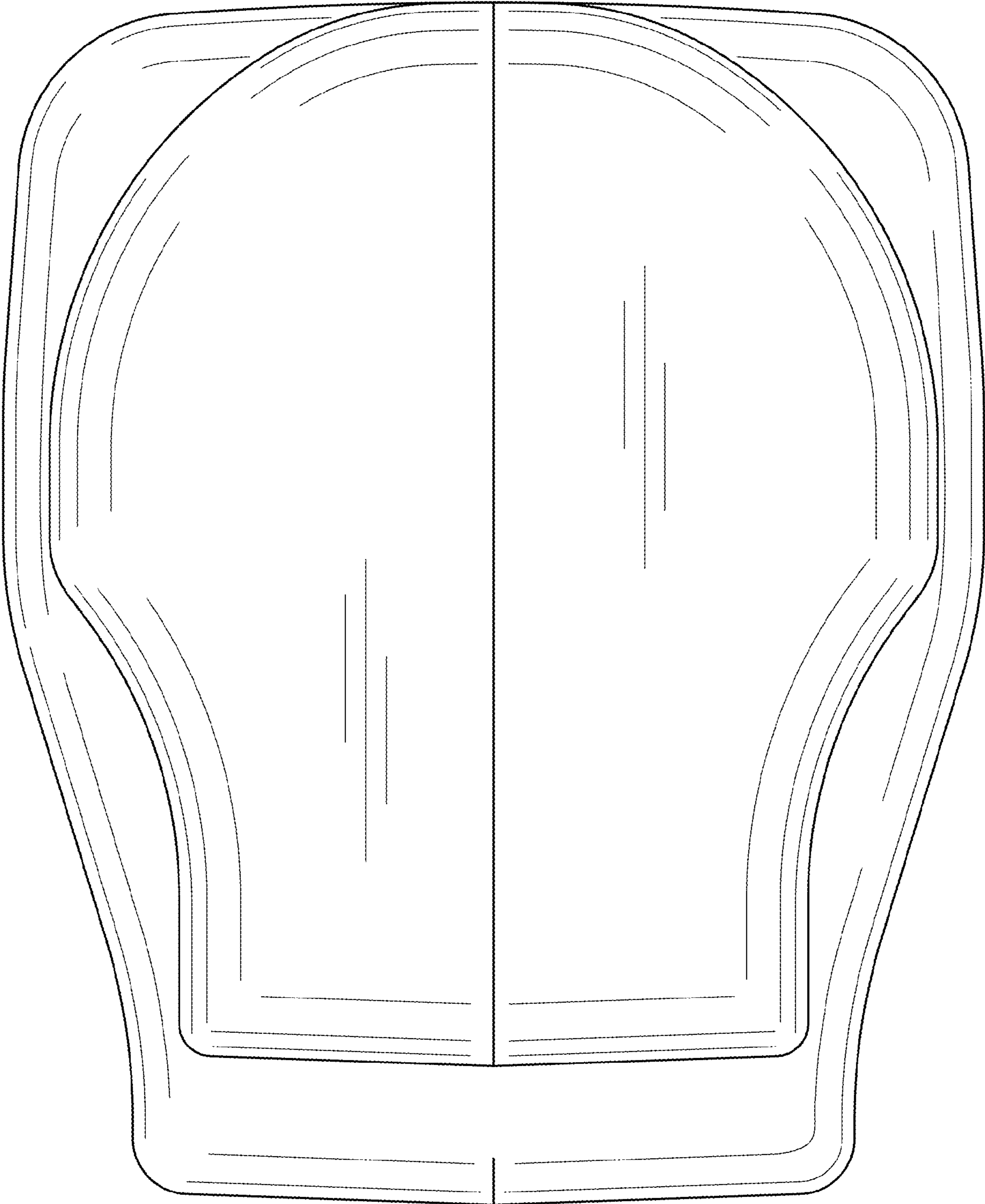


FIG. 5

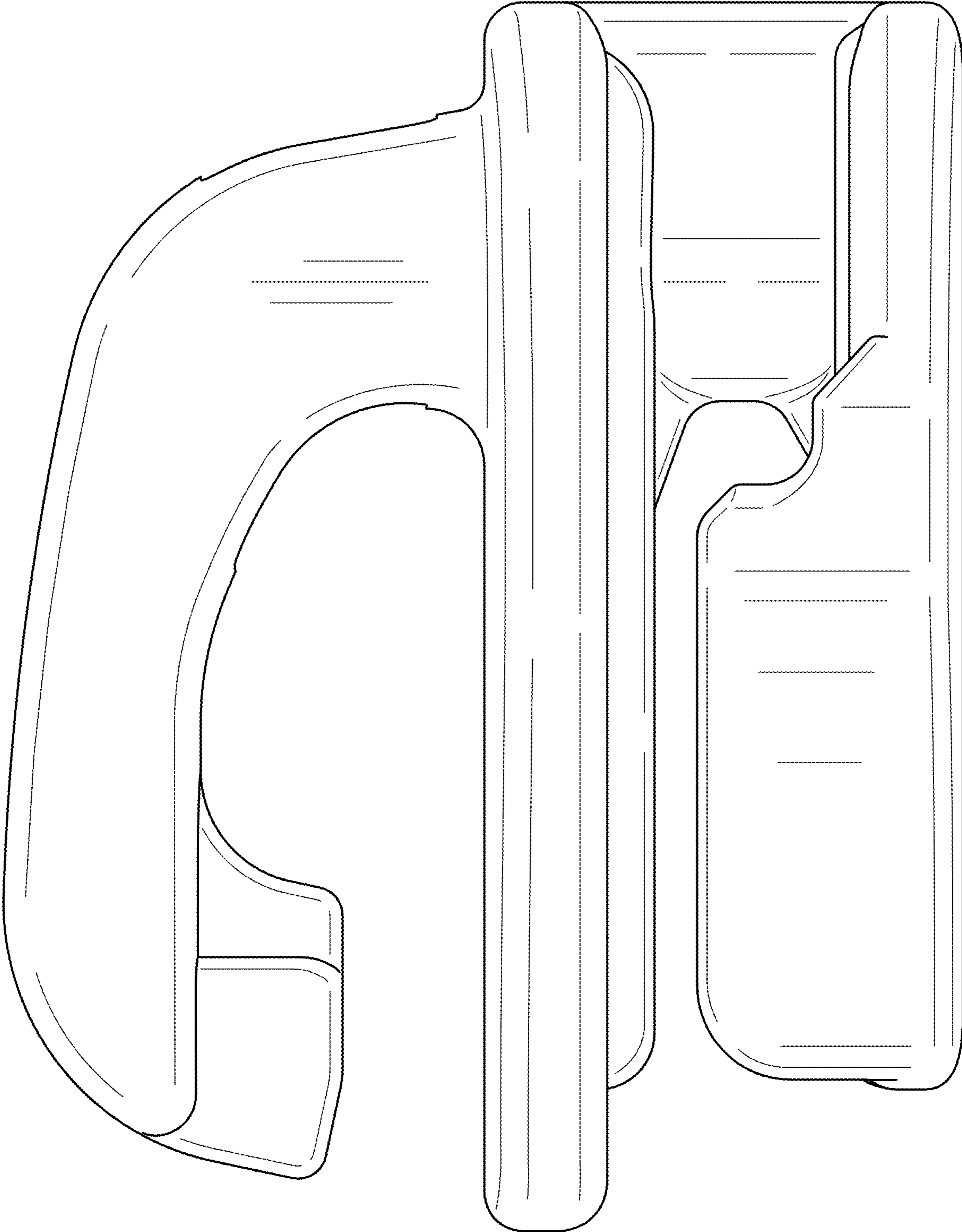


FIG. 6

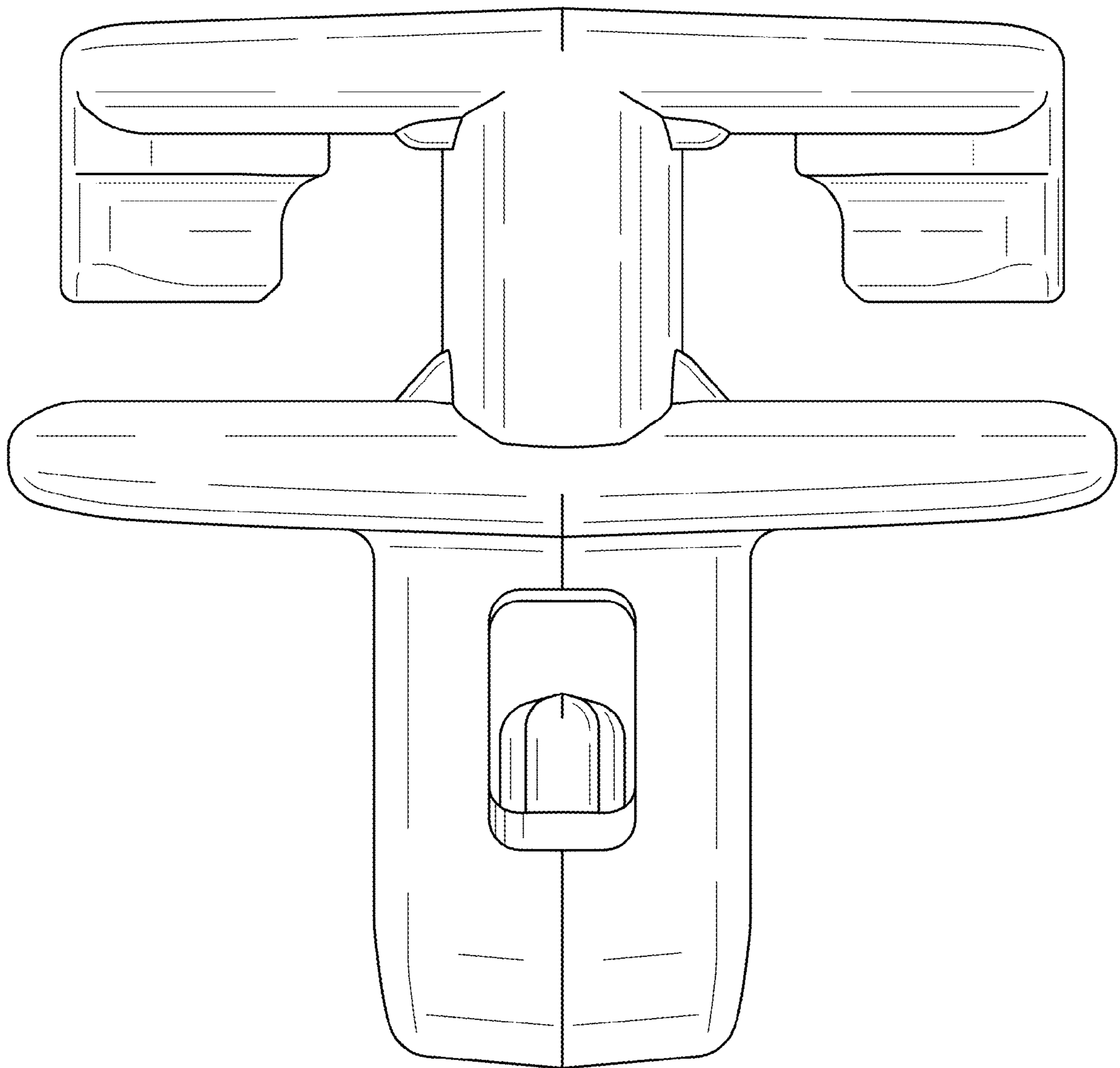




FIG. 7

