



(12) **United States Design Patent** (10) **Patent No.:** **US D906,166 S**  
**Andrews** (45) **Date of Patent:** **\*\* Dec. 29, 2020**

(54) **CLASP**  
 (71) Applicant: **J. Choo Limited**, London (GB)  
 (72) Inventor: **Emily Andrews**, Farnborough (GB)  
 (73) Assignee: **J. Choo Limited**, London (GB)  
 (\*\*) Term: **15 Years**  
 (21) Appl. No.: **29/684,405**  
 (22) Filed: **Mar. 20, 2019**

(30) **Foreign Application Priority Data**  
 Sep. 20, 2018 (EM) ..... 005650926-0009  
 Nov. 9, 2018 (EM) ..... 005822004-0009  
 (51) **LOC (12) Cl.** ..... **02-07**  
 (52) **U.S. Cl.**  
 USPC ..... **D11/200**  
 (58) **Field of Classification Search**  
 USPC .... D8/44, 349, 356; D11/200-241, 1, 4, 40,  
 D11/79; D2/627-640, 946, 976; D3/216,  
 D3/232, 243

(56) **References Cited**  
 U.S. PATENT DOCUMENTS  
 D20,410 S \* 12/1890 Hecht ..... D11/218  
 D103,583 S 3/1937 Oswell  
 (Continued)

FOREIGN PATENT DOCUMENTS  
 EM 005650926-0009 \* 10/2018  
 GB 407523 A \* 3/1934 ..... A44C 1/00

OTHER PUBLICATIONS  
 Vivien soft-velvet bag \_ Jimmy Choo , no date available, [online],  
 [site visited Jul. 22, 2020]. Retrieved from url:https://www.

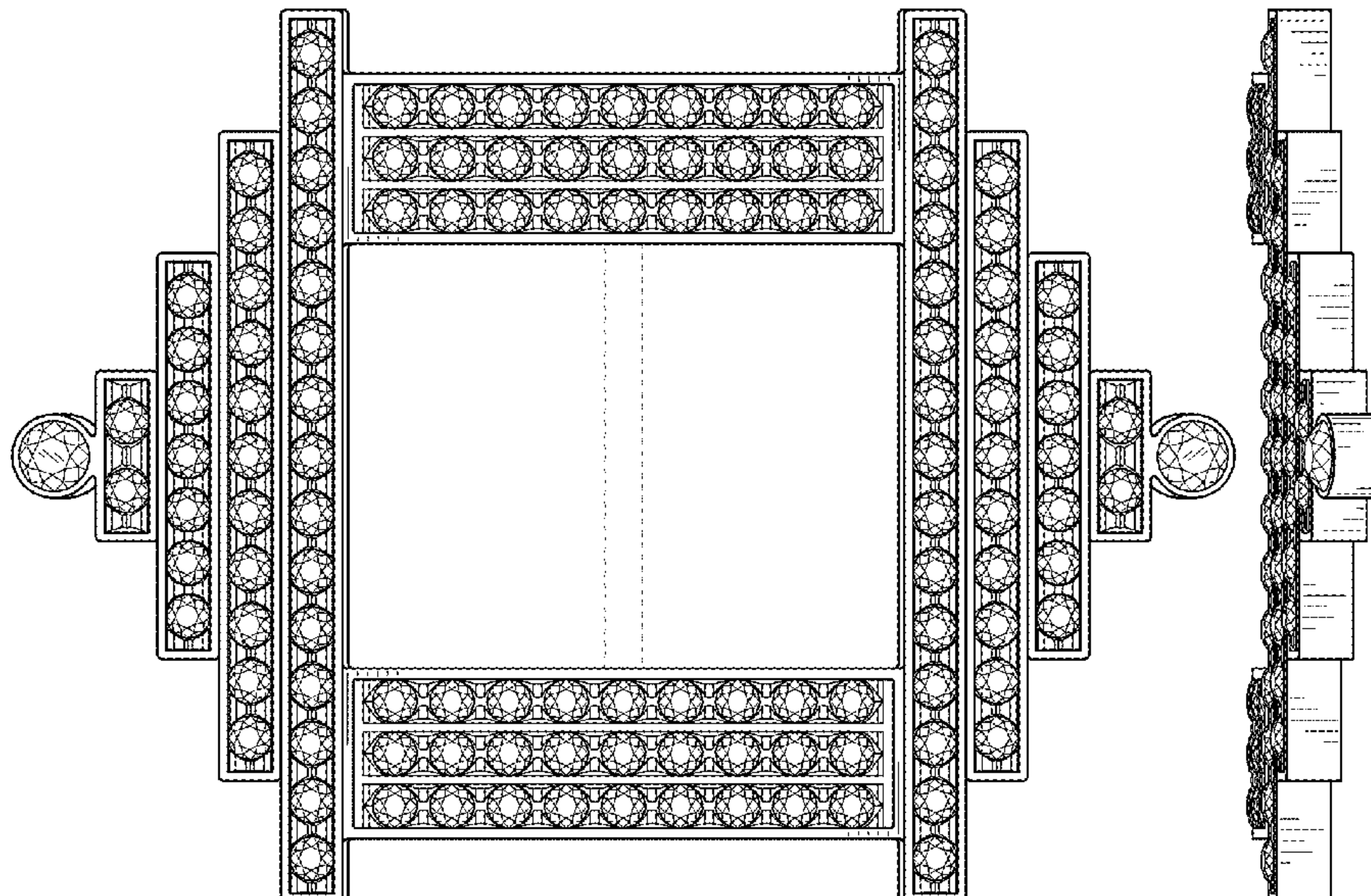
matchesfashion.com/us/products/Jimmy-Choo-Sac-en-velours-Vivien-1244130 (Year: 2020).\*

(Continued)  
 Primary Examiner — Michelle E. Wilson  
 Assistant Examiner — Tracey J Bell  
 (74) Attorney, Agent, or Firm — Fross Zelnick Lehrman & Zissu, P.C.; Lawrence E. Apolzon, Esq.

(57) **CLAIM**  
 The ornamental design for a clasp, as shown and described.

**DESCRIPTION**  
 FIG. 1 is a front perspective view of a clasp showing my new design;  
 FIG. 2 is a front view thereof;  
 FIG. 3 is a top view thereof;  
 FIG. 4 is a bottom view thereof;  
 FIG. 5 is a right side view thereof;  
 FIG. 6 is a left side view thereof;  
 FIG. 7 is a front view of the clasp shown in FIG. 1, shown in the environment of a handbag;  
 FIG. 8 is a perspective view of the clasp shown in FIG. 1, shown in the environment of a footwear;  
 FIG. 9 is a front perspective view of a second embodiment of a clasp;  
 FIG. 10 is a front view thereof;  
 FIG. 11 is a top view thereof;  
 FIG. 12 is a bottom view thereof;  
 FIG. 13 is a right side view thereof;  
 FIG. 14 is a left side view thereof;  
 FIG. 15 is a front view of the clasp shown in FIG. 9, shown in the environment of a handbag; and,  
 FIG. 16 is a front perspective view of the clasp shown in FIG. 9, shown in the environment of a footwear.  
 The broken lines depict portions of the clasp and environmental subject matter that forms no part of the embodiment in which they are shown.

**1 Claim, 12 Drawing Sheets**



(58) **Field of Classification Search**

CPC ... A63B 33/00; A63B 33/002; A44B 17/0088;  
A44B 13/0017; A44B 11/04; A44B  
11/2557; A45C 13/08; A44C 1/00  
See application file for complete search history.

(56) **References Cited**

U.S. PATENT DOCUMENTS

2,171,984	A *	9/1939	Mariani .....	A44B 11/24 24/178
2,243,742	A *	5/1941	Silverstein .....	A45C 13/08 24/598.1
D146,153	S *	12/1946	Pomerantz .....	D11/236
D246,357	S *	11/1977	Durante .....	D11/40
D530,501	S *	10/2006	Choi .....	D2/971
D796,797	S *	9/2017	Frisoni .....	D2/923
D808,298	S *	1/2018	Frisoni .....	D11/200
D823,162	S *	7/2018	Della Valle .....	D11/230
D823,163	S *	7/2018	Della Valle .....	D11/230
D842,166	S *	3/2019	Della Valle .....	D11/231
D893,351	S *	8/2020	Della Valle .....	D11/231
D898,612	S *	10/2020	Della Valle .....	D11/200

OTHER PUBLICATIONS

Kwiat, yellow gold, peridot and diamond cuff—From “The Right Cuff,” written by J.A.B., published at least earlier than Sep. 11, 2017.

\* cited by examiner



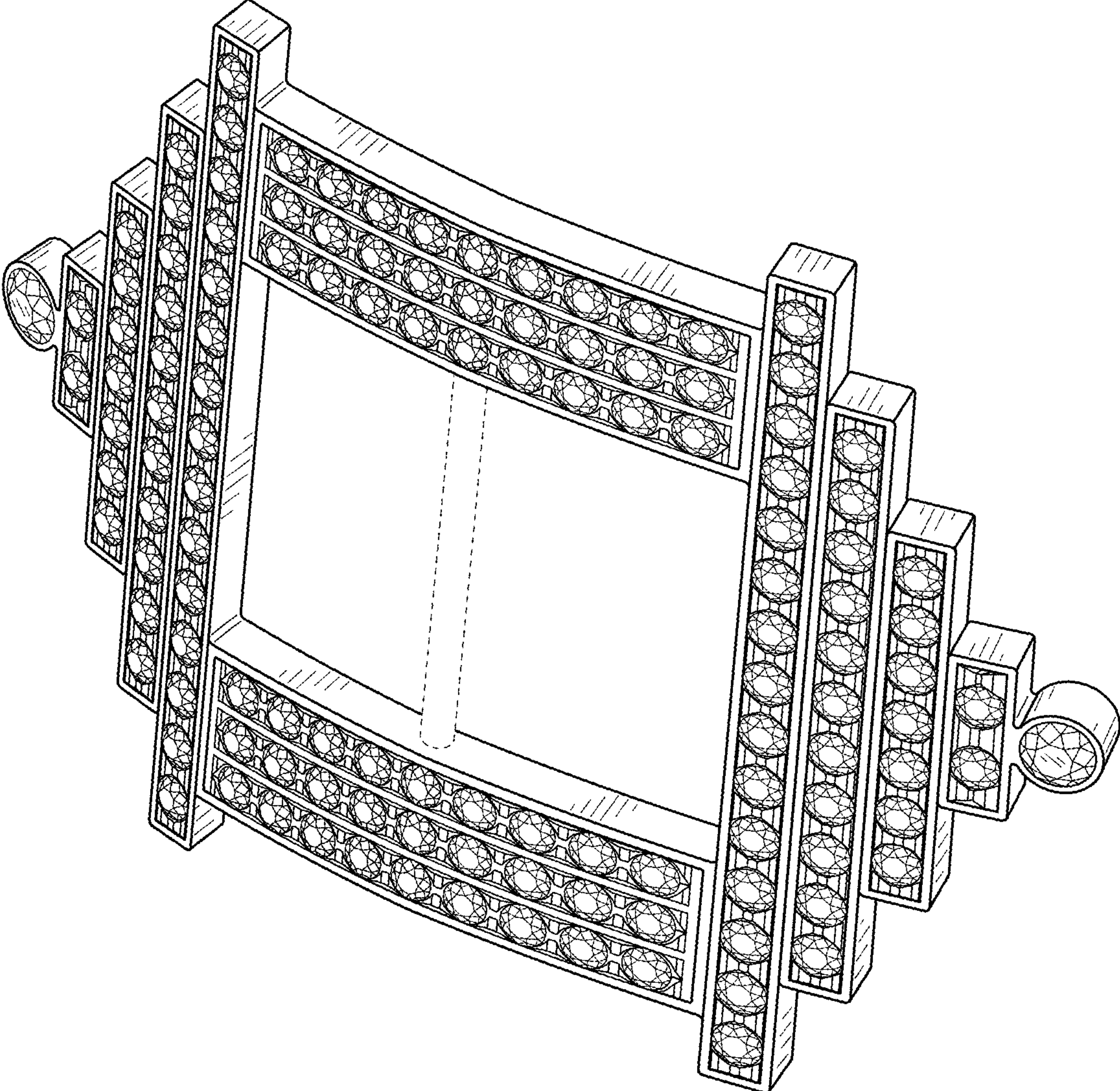


FIG. 1

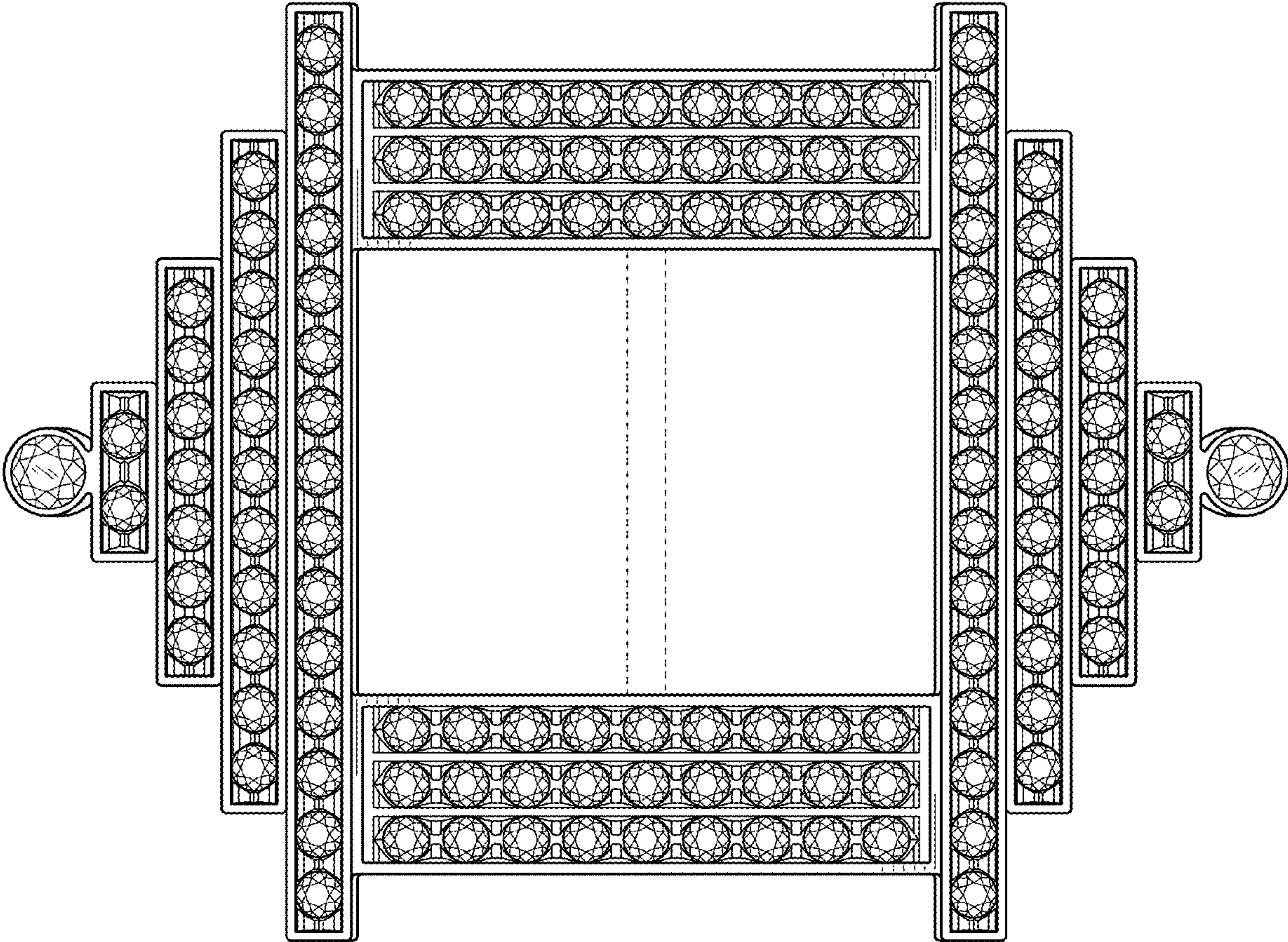


FIG. 2





FIG. 3

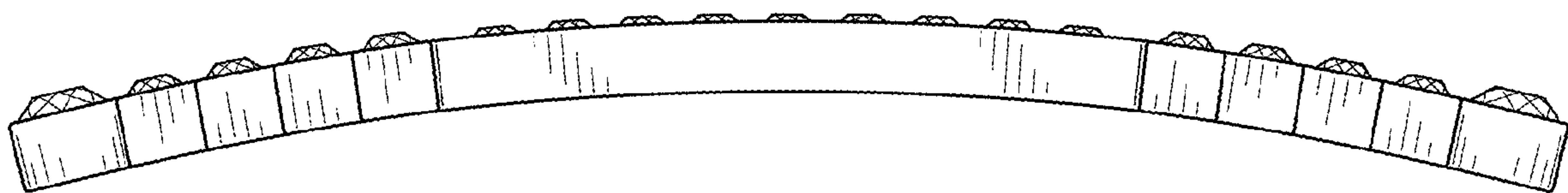


FIG. 4

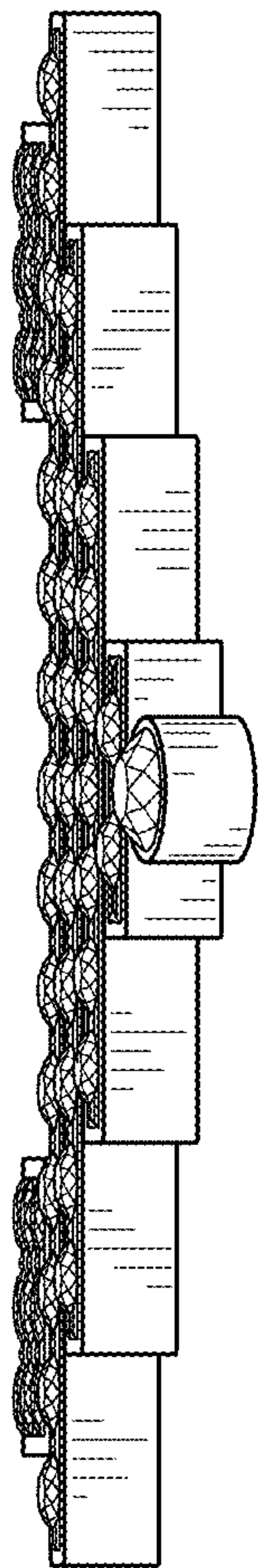


FIG. 5

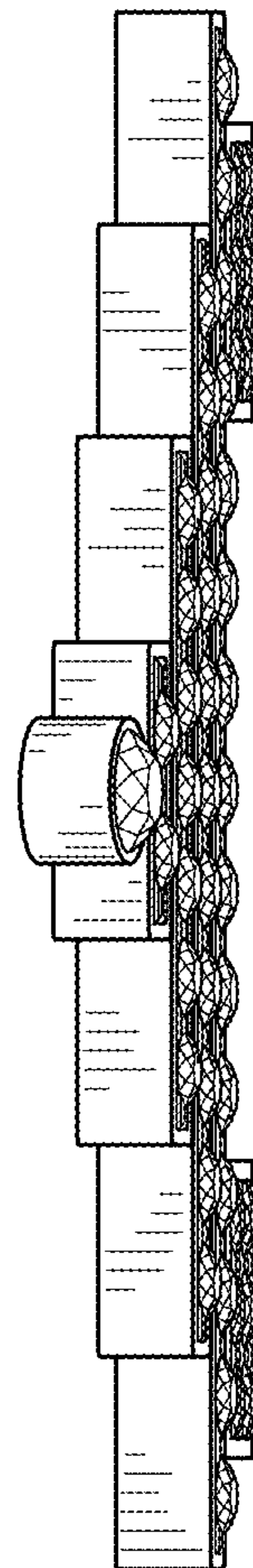


FIG. 6

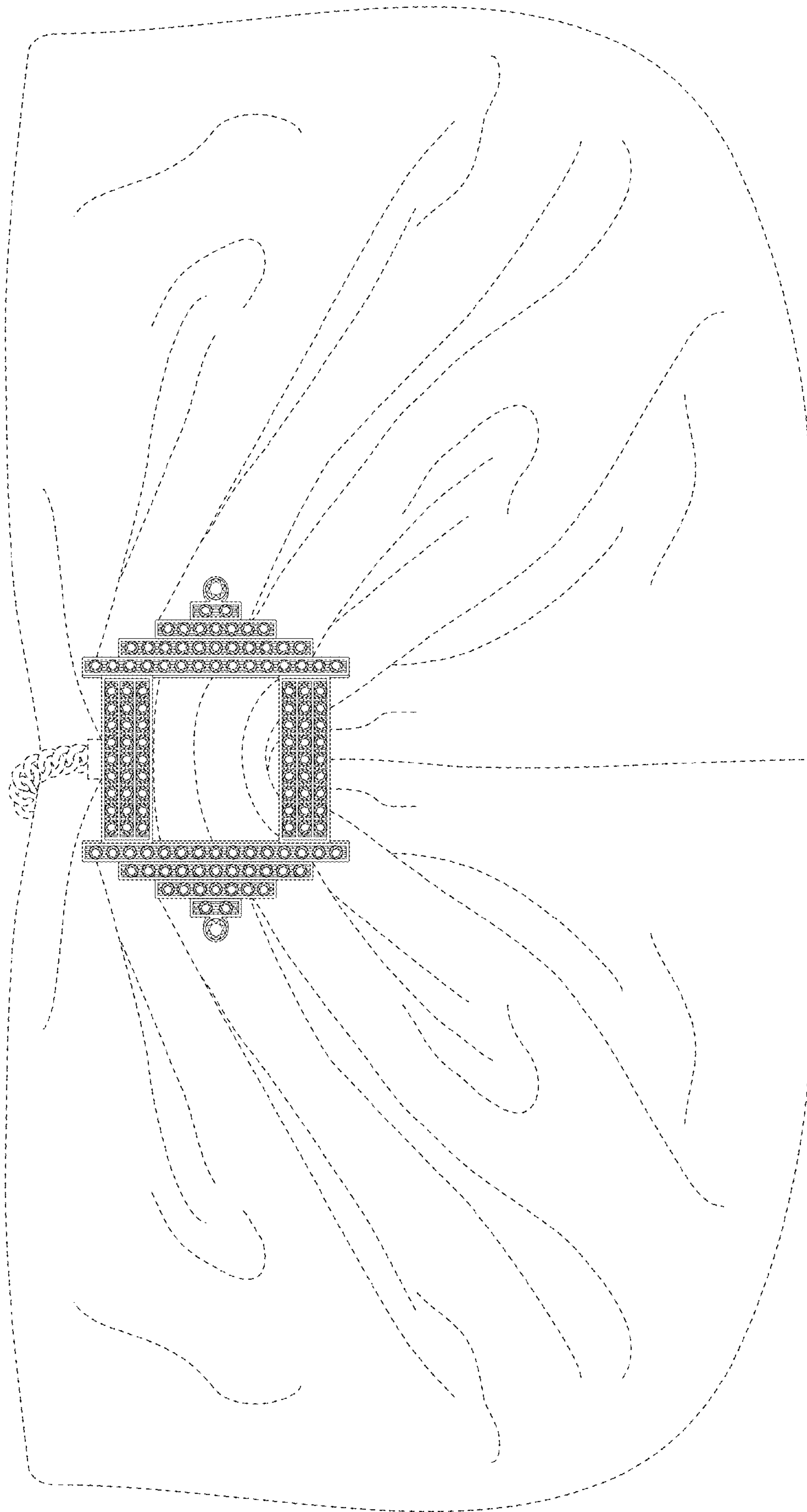


FIG. 7

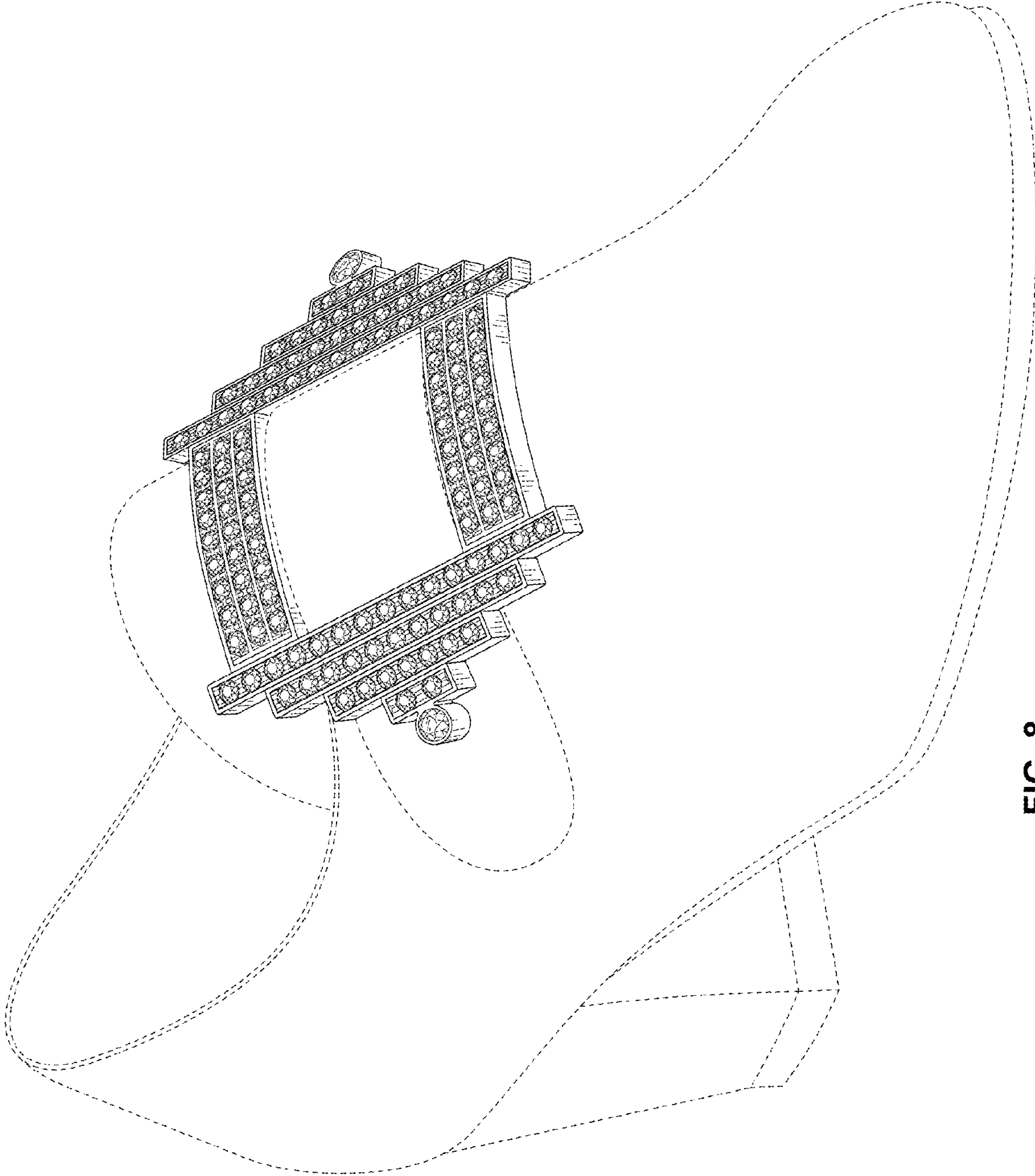


FIG. 8



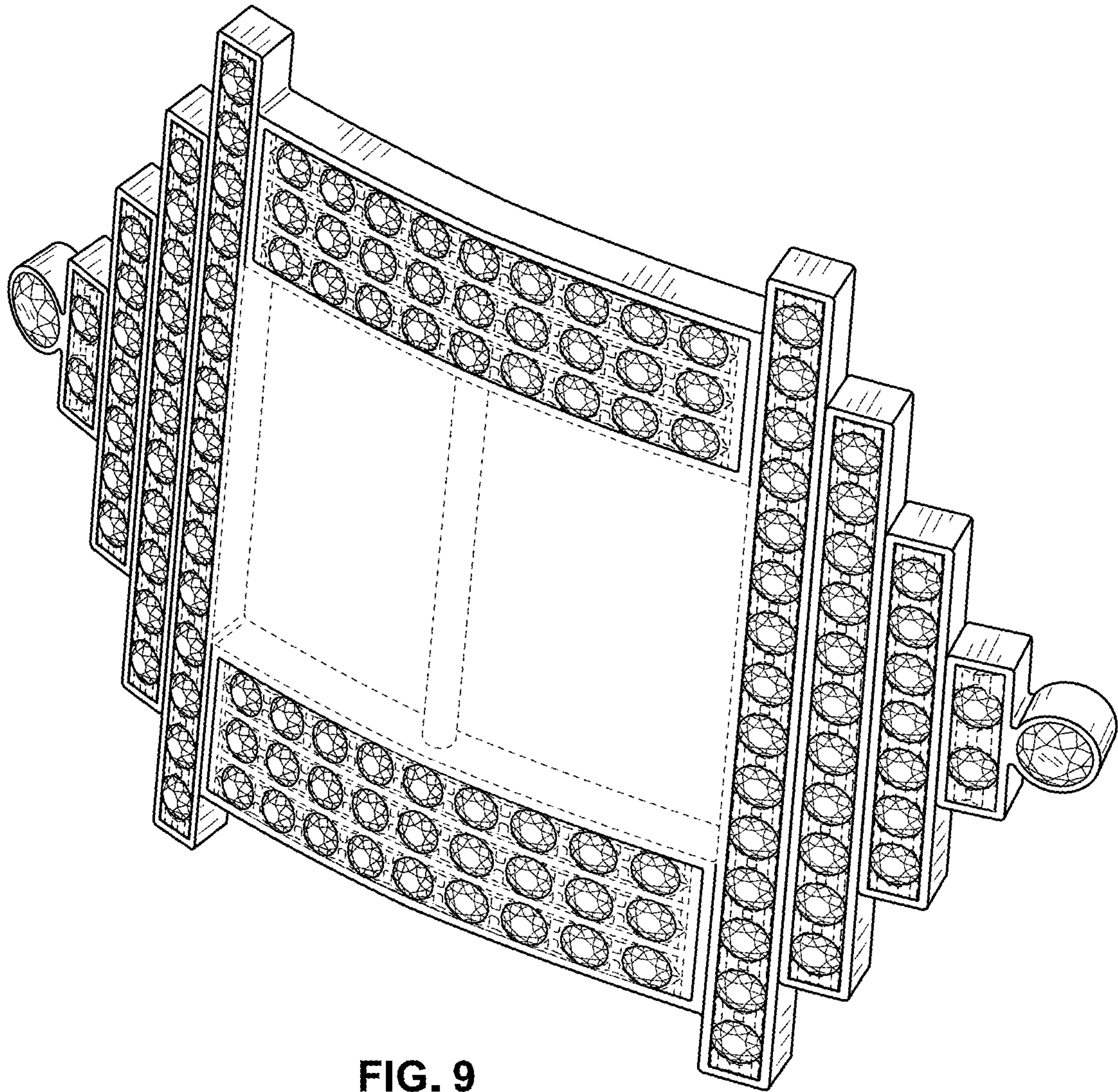


FIG. 9

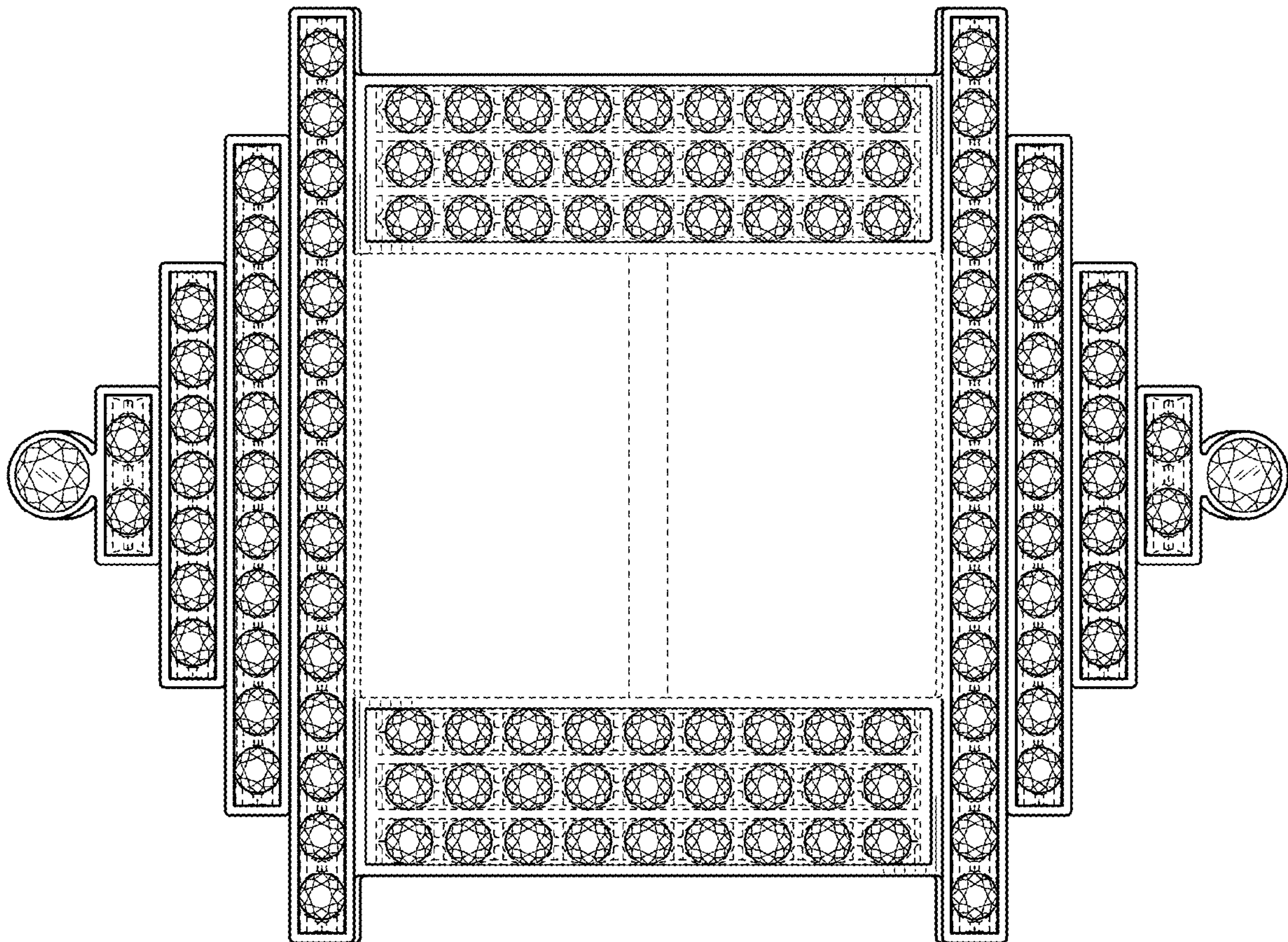


FIG. 10



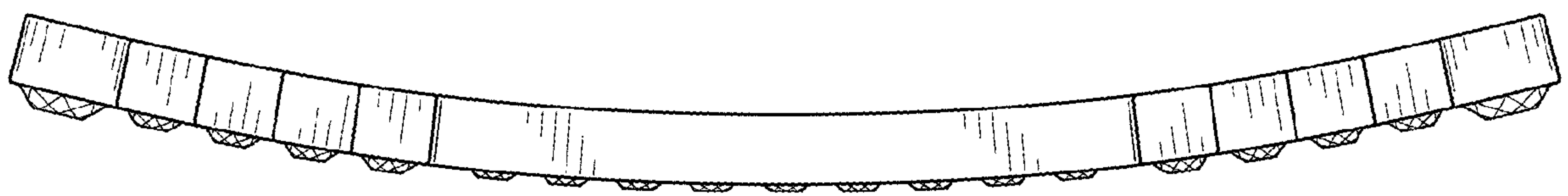


FIG. 11

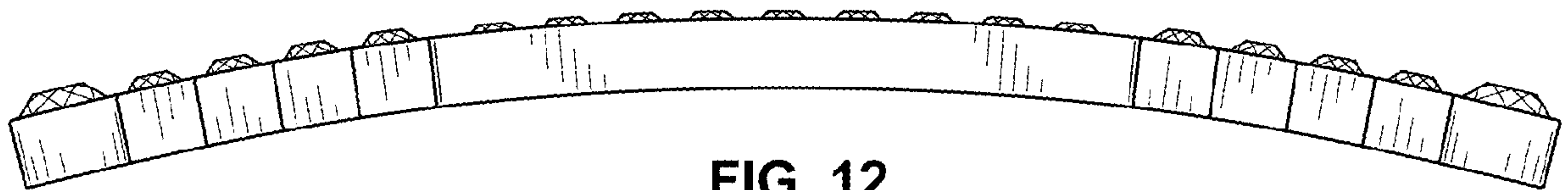


FIG. 12



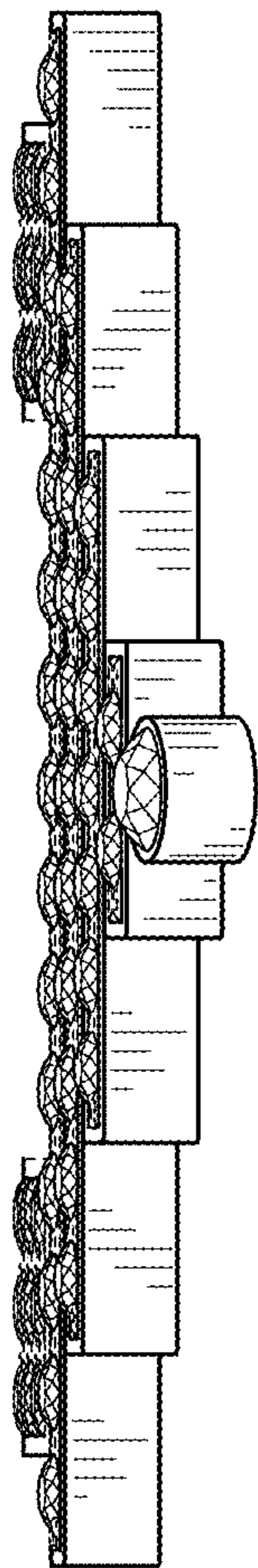


FIG. 13

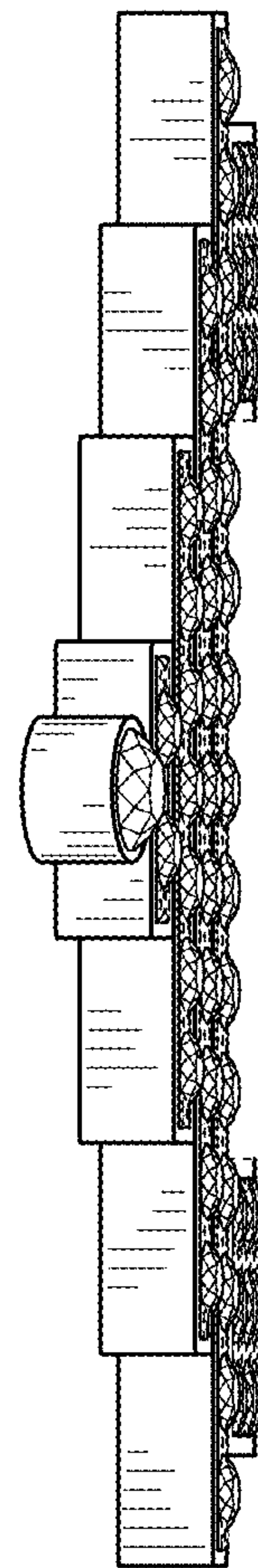


FIG. 14

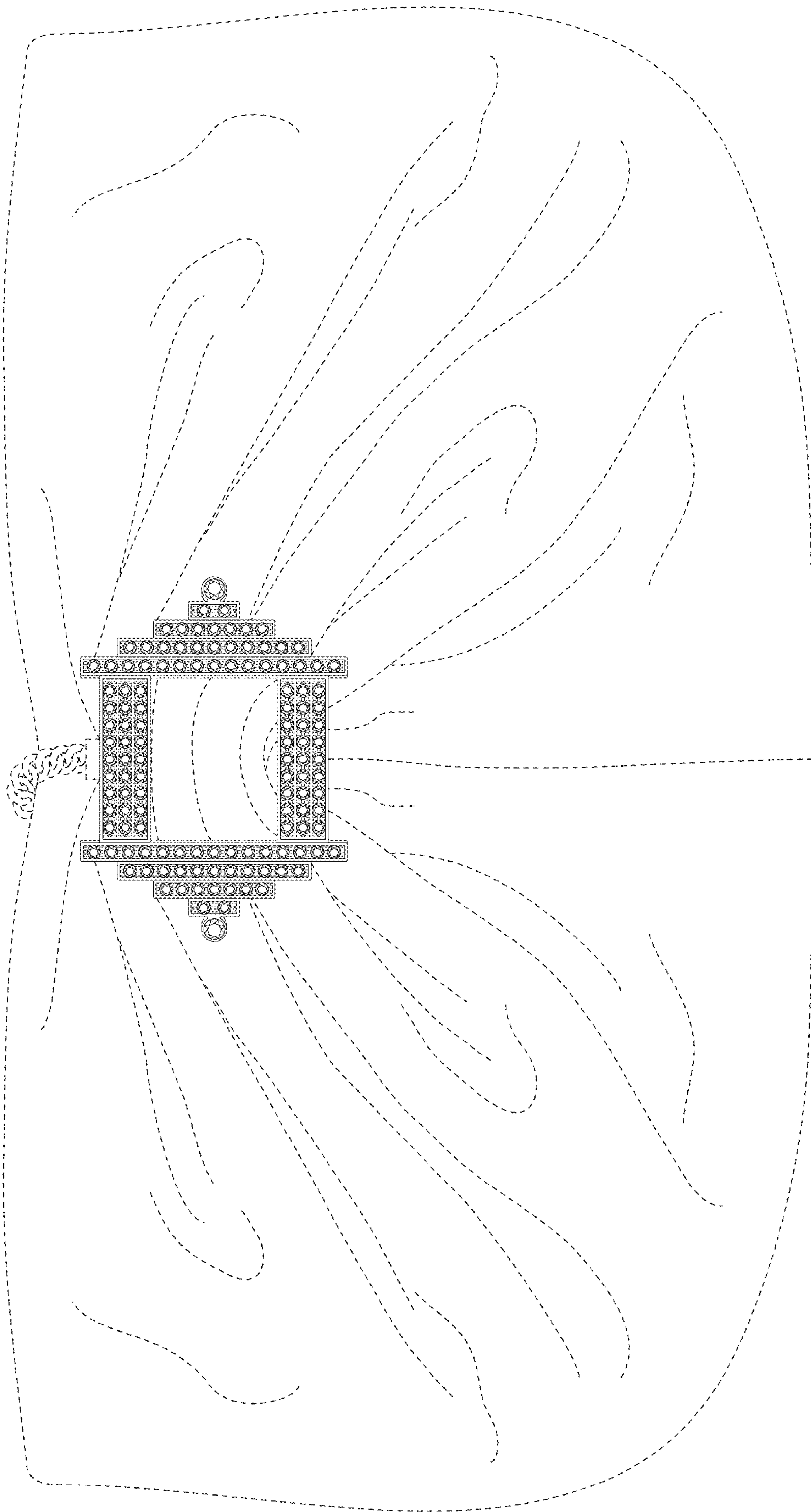


FIG. 15

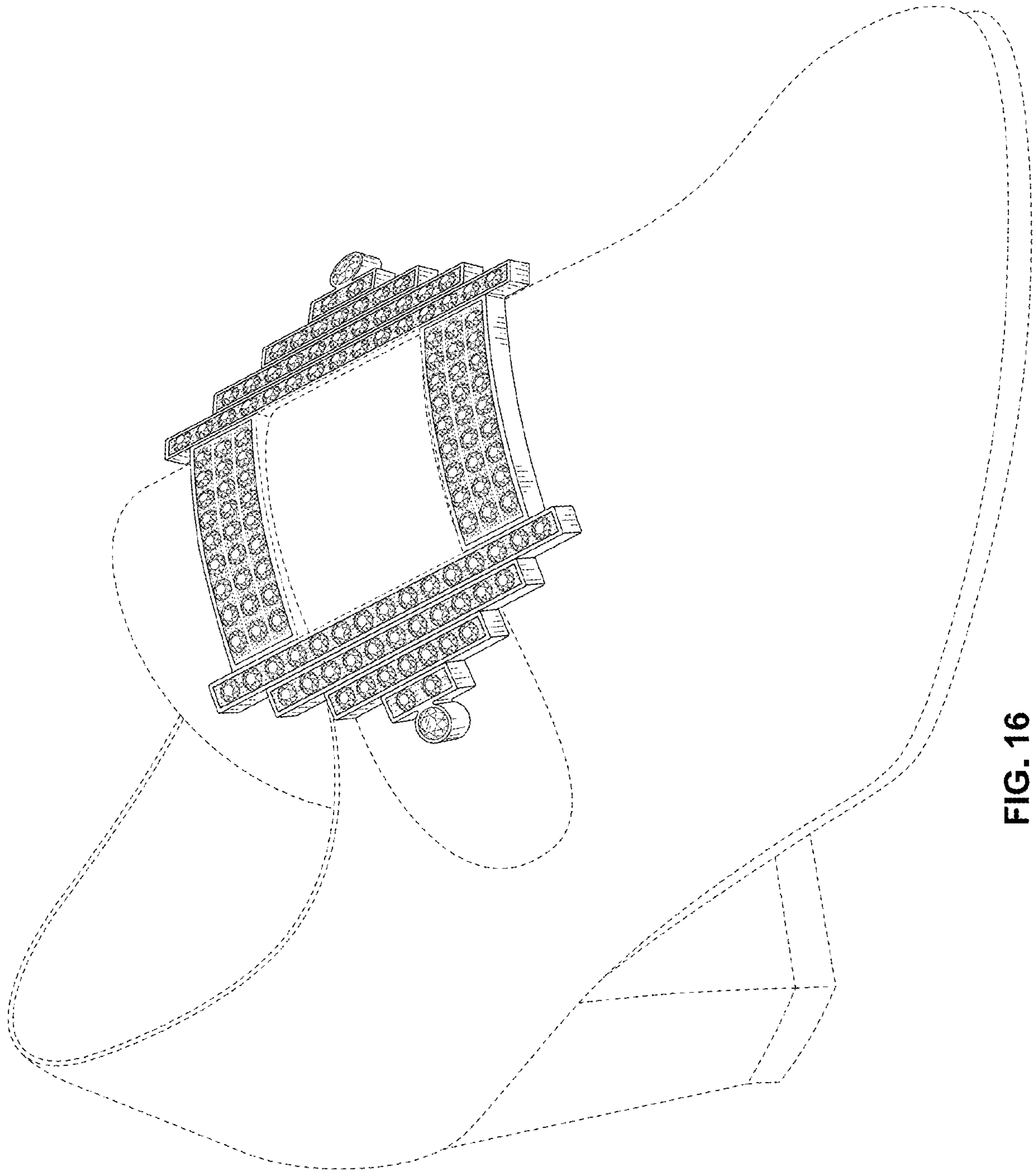


FIG. 16