



US00D906163S

(12) **United States Design Patent** (10) **Patent No.:** **US D906,163 S**
Ryan et al. (45) **Date of Patent:** **** Dec. 29, 2020**

(54) **PLANTER** D234,489 S * 3/1975 Shaw D23/410
D249,444 S * 9/1978 Forsberg D7/604
(71) Applicant: **Classic Home & Garden, LLC,** 4,227,343 A * 10/1980 Espy A01G 9/00
Monroe, CT (US) 4,635,394 A * 1/1987 Brown A01G 9/02
185/27
(72) Inventors: **Fred Joseph Ryan,** Trumbull, CT (US); 4,912,875 A * 4/1990 Tardif A01G 9/04
Jason Anthony Yanes, Coral Gables, 47/39
FL (US) 5,179,799 A * 1/1993 Hillestad A01G 9/12
47/67
(73) Assignee: **CLASSIC HOME & GARDEN, LLC,** 5,595,019 A * 1/1997 Foreman A01G 9/12
Monroe, CT (US) 47/45
6,098,338 A * 8/2000 Tilton A01G 9/02
428/15
(**) Term: **15 Years** 6,173,530 B1 * 1/2001 Holt A47F 3/142
217/88

(21) Appl. No.: **29/701,127**

(Continued)

(22) Filed: **Aug. 8, 2019**

Primary Examiner — Elizabeth A. Albert

(51) **LOC (12) Cl.** **11-02**

(74) *Attorney, Agent, or Firm* — Tutunjian & Bitetto, P.C.

(52) **U.S. Cl.**

USPC **D11/152**

(58) **Field of Classification Search**

(57) **CLAIM**

USPC D11/143–156, 164; D3/304, 306, 312;
D6/403, 404, 405, 556, 557, 558; D8/1
CPC . A01G 9/00; A01G 9/02; A01G 9/021; A01G
9/022; A01G 9/027; A01G 9/029; A01G
9/085; A01G 9/122; A01G 31/02; A01G
31/06; A01G 5/04; A47G 7/00; A47G
7/02; A47G 7/03; A47G 7/06; A47G 7/08
See application file for complete search history.

The ornamental design for a planter, as shown and described.

DESCRIPTION

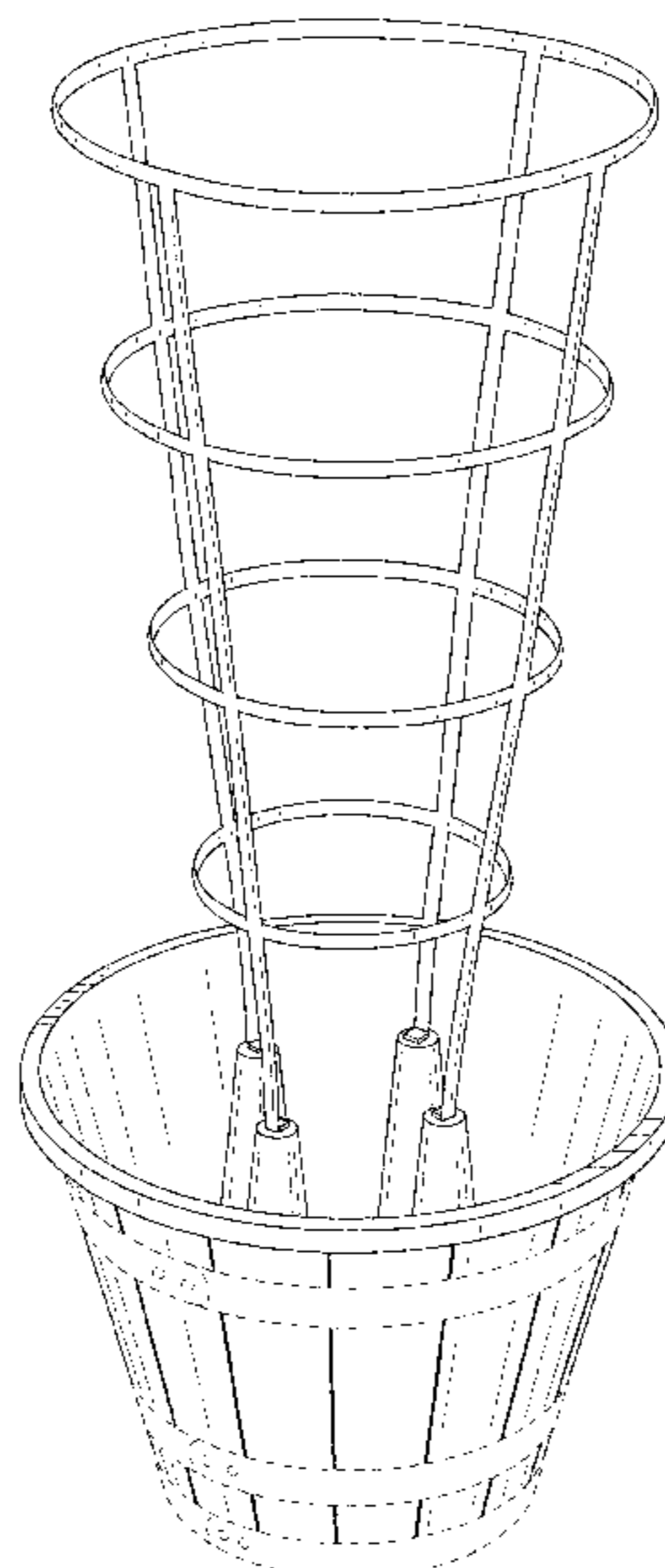
(56) **References Cited**

U.S. PATENT DOCUMENTS

244,883 A * 7/1881 Gantt G01F 19/002
73/426
396,459 A * 1/1889 Bertrand A01G 9/02
47/66.1
1,932,748 A * 10/1933 Peck A01G 9/02
47/66.1
D93,847 S * 11/1934 Preddy D1/106
3,481,075 A * 12/1969 Dastoli B65D 61/00
47/41.01

FIG. 1 is a side perspective view of the planter showing our new design;
FIG. 2 is a top perspective view thereof;
FIG. 3 is a bottom perspective view thereof;
FIG. 4 is a front view thereof;
FIG. 5 is a right side view thereof;
FIG. 6 is a left side view thereof;
FIG. 7 is a rear view thereof;
FIG. 8 is a top view thereof;
FIG. 9 is a bottom view thereof; and,
FIG. 10 is a side perspective view thereof.
The broken lines are included to show portions of the planter that form no part of the claimed design.

1 Claim, 10 Drawing Sheets



(56)

References Cited

U.S. PATENT DOCUMENTS

6,349,502	B1 *	2/2002	Fernandez	A01G 9/12
					47/45
6,536,361	B1 *	3/2003	Wu	A01G 9/033
					111/114
D485,208	S *	1/2004	Fan	D11/143
D490,745	S *	6/2004	Fan	D11/143
D491,487	S *	6/2004	Buss	D11/152
6,874,276	B2 *	4/2005	Morrison	A01G 9/12
					220/485
7,281,352	B2 *	10/2007	Peck	A01G 9/12
					248/153
7,984,585	B1 *	7/2011	Wu	A01G 9/12
					47/58.1 R
D684,891	S *	6/2013	Team	D11/149
D694,854	S *	12/2013	Gentry	D23/214
9,038,312	B2 *	5/2015	Harbaugh	A01G 9/042
					47/66.1
D796,379	S *	9/2017	Takaoka	D11/152
D819,490	S *	6/2018	Ryan	D11/153
10,085,387	B2 *	10/2018	Takaoka	A01G 9/042
10,285,335	B1 *	5/2019	Murphy	A01G 9/029
D864,786	S *	10/2019	Ryan	D11/149
D869,987	S *	12/2019	Ryan	D11/149
10,602,685	B2 *	3/2020	Eckert	A01G 27/06

* cited by examiner

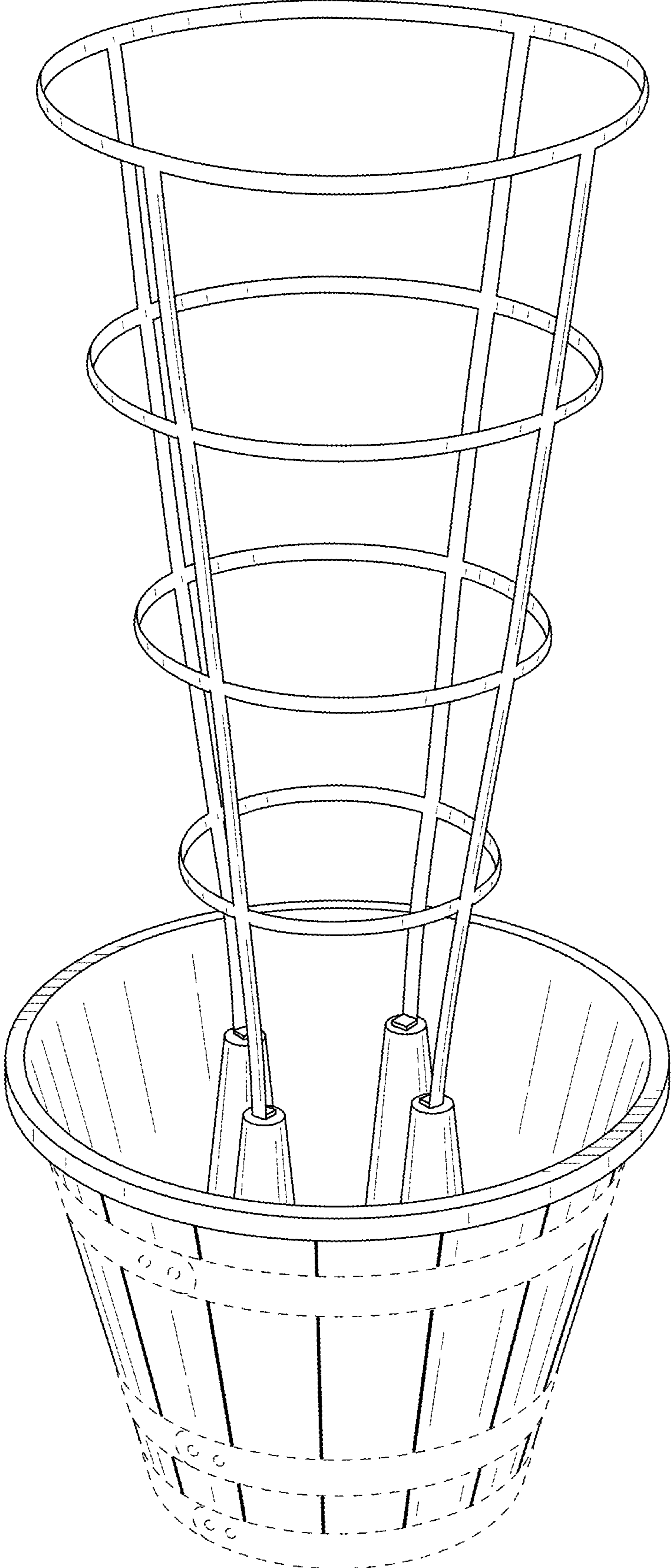


FIG. 1

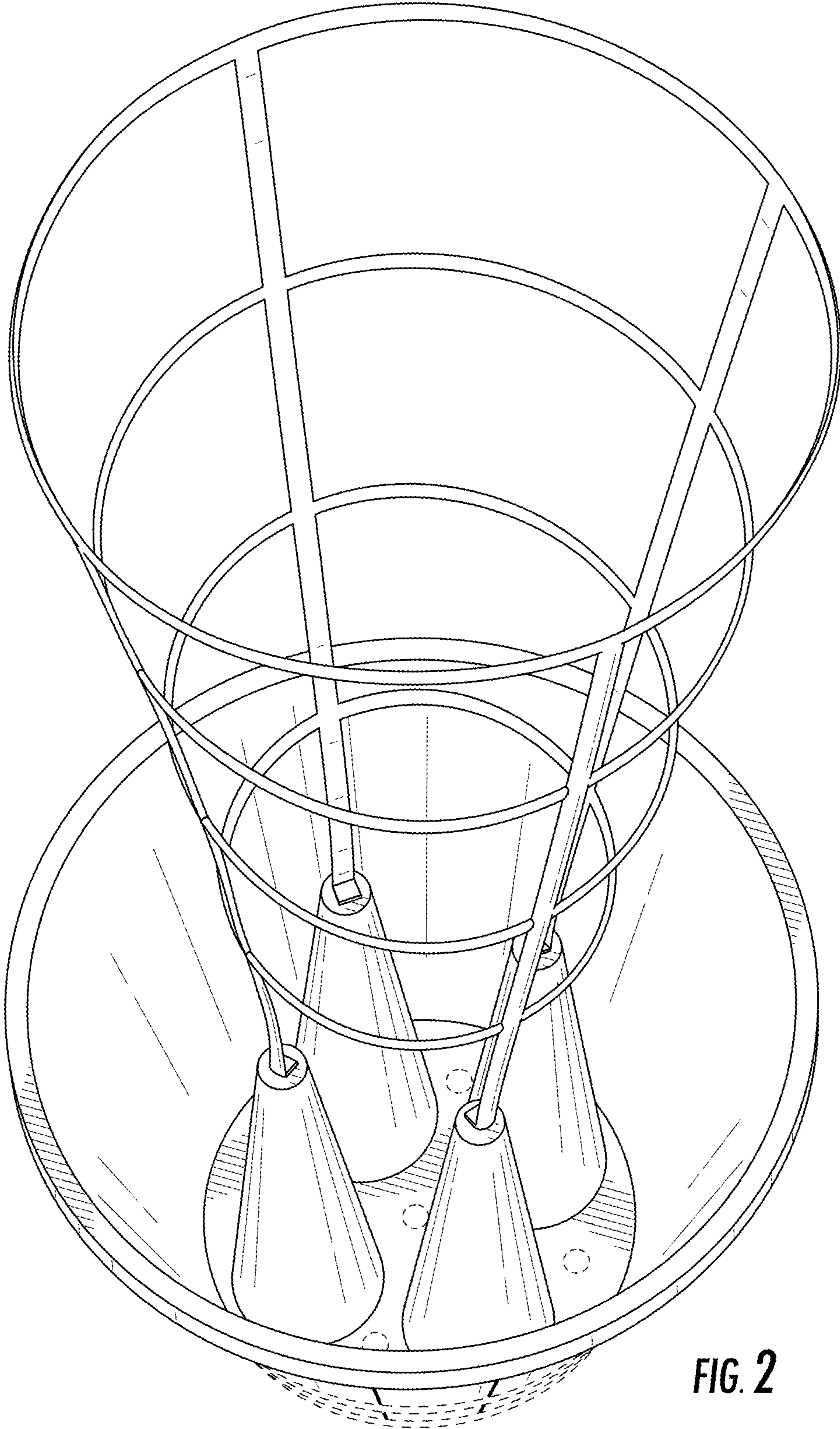


FIG. 2

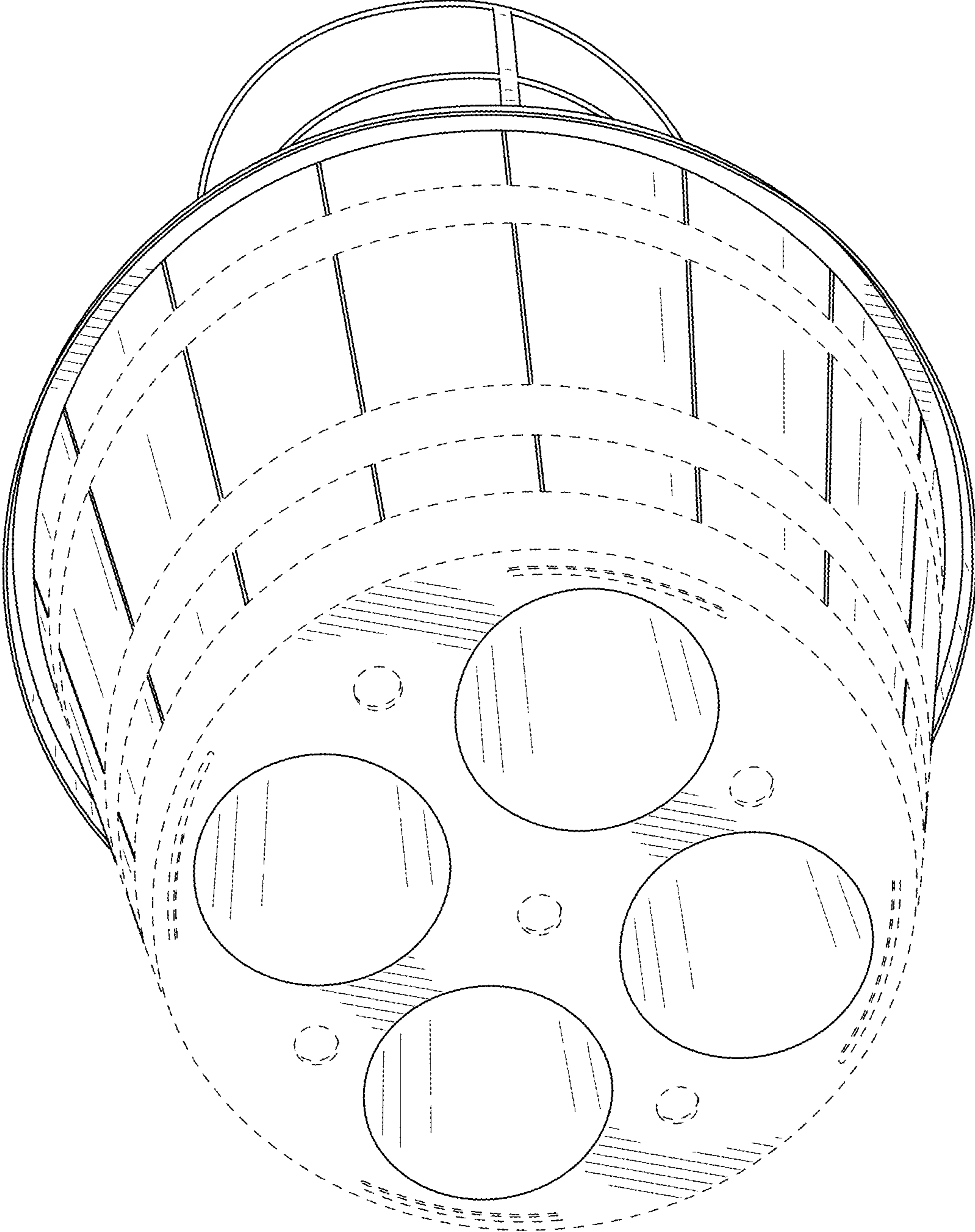


FIG. 3

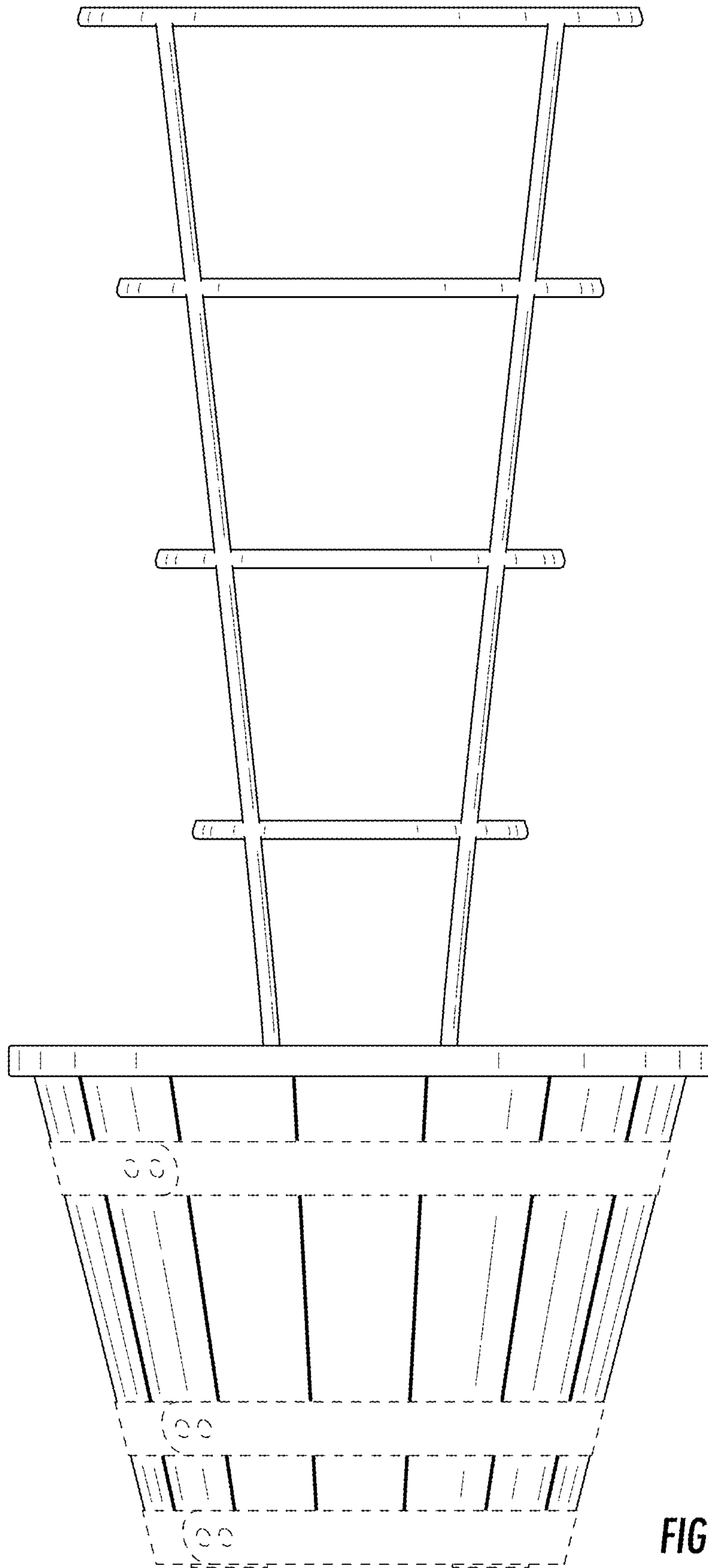


FIG. 4

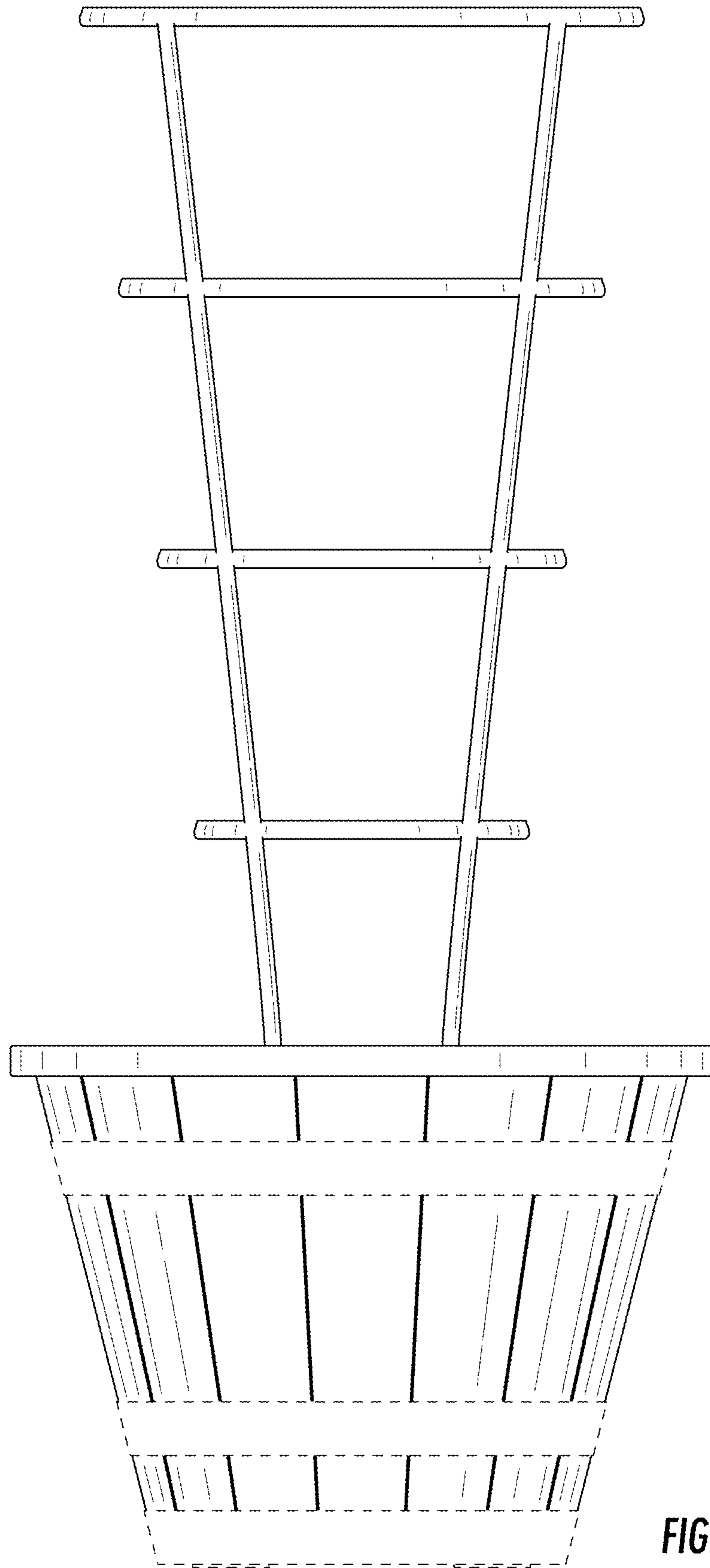


FIG. 5

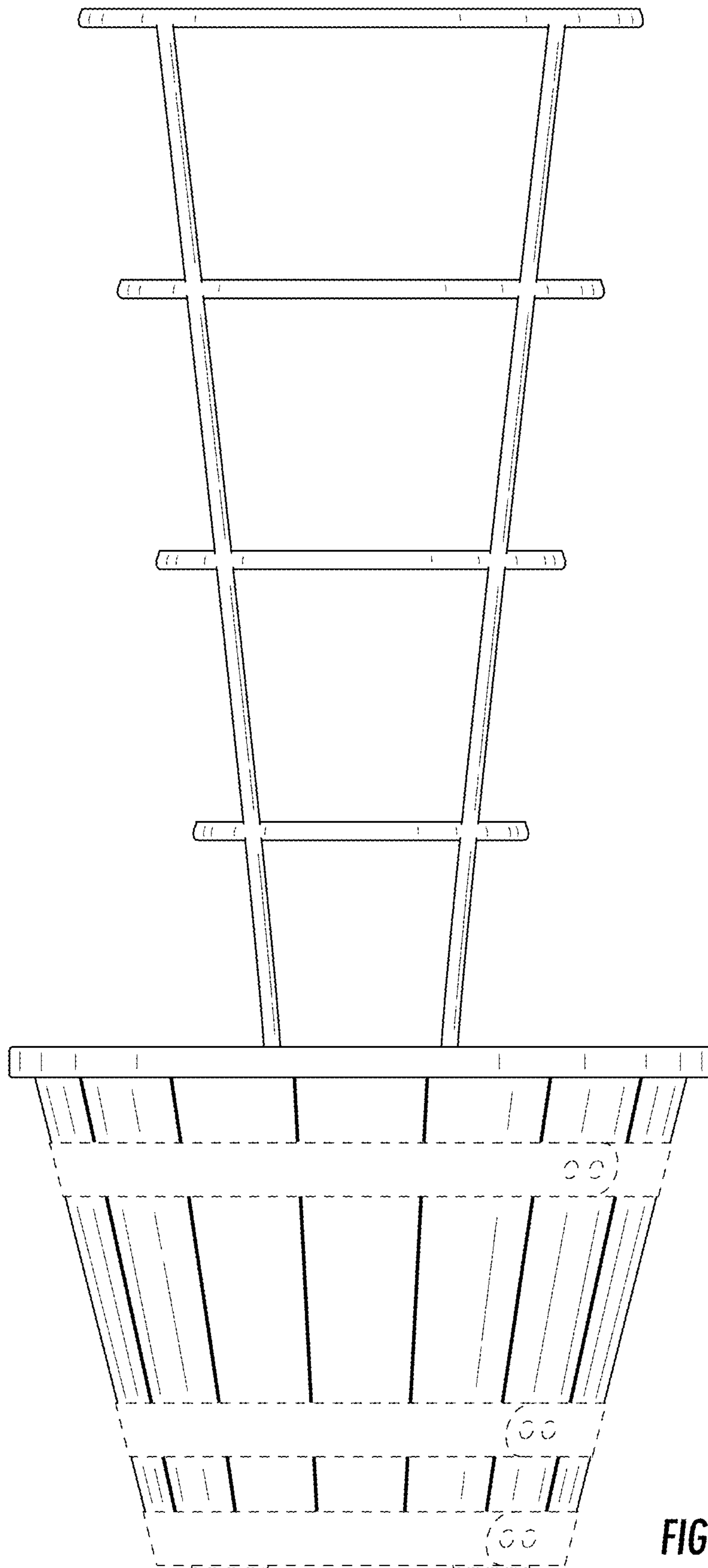


FIG. 6

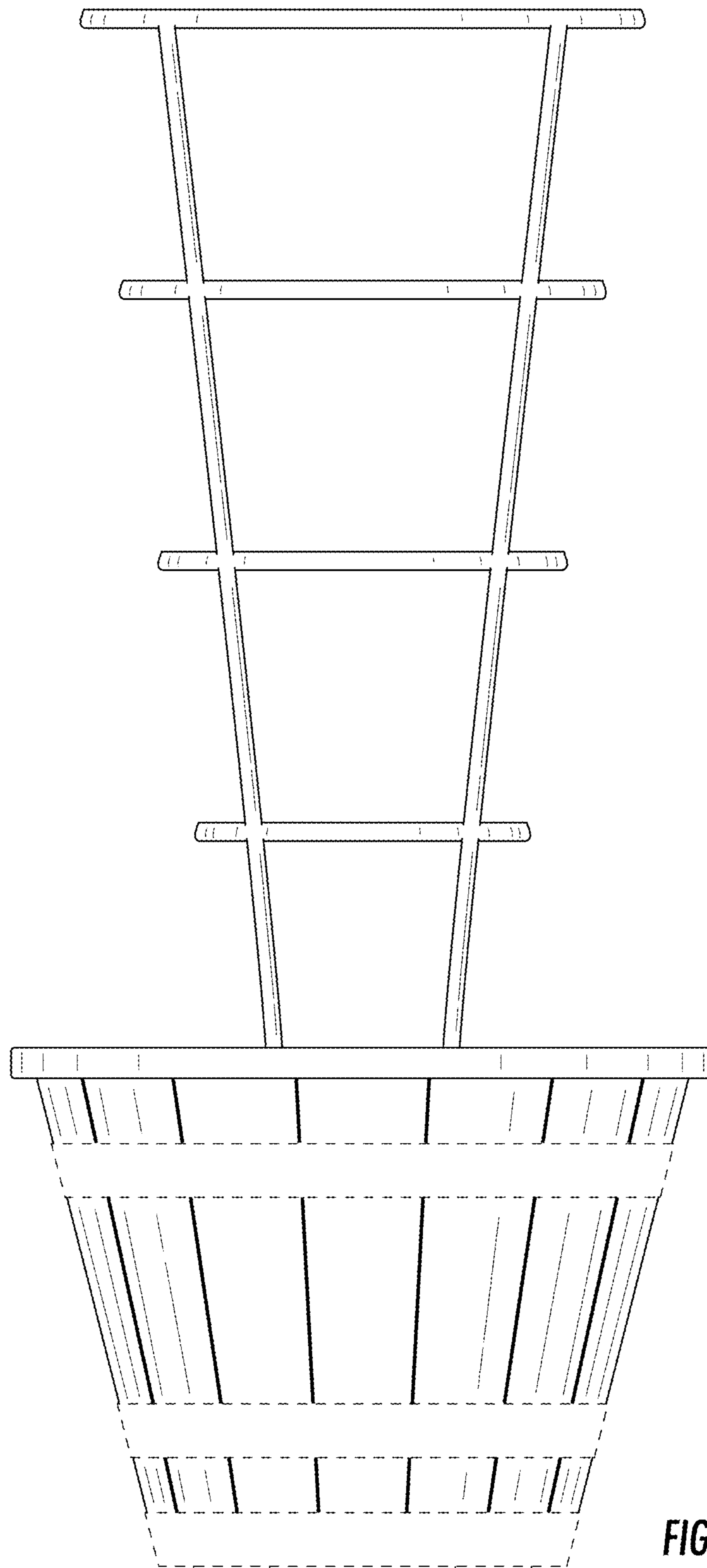


FIG. 7

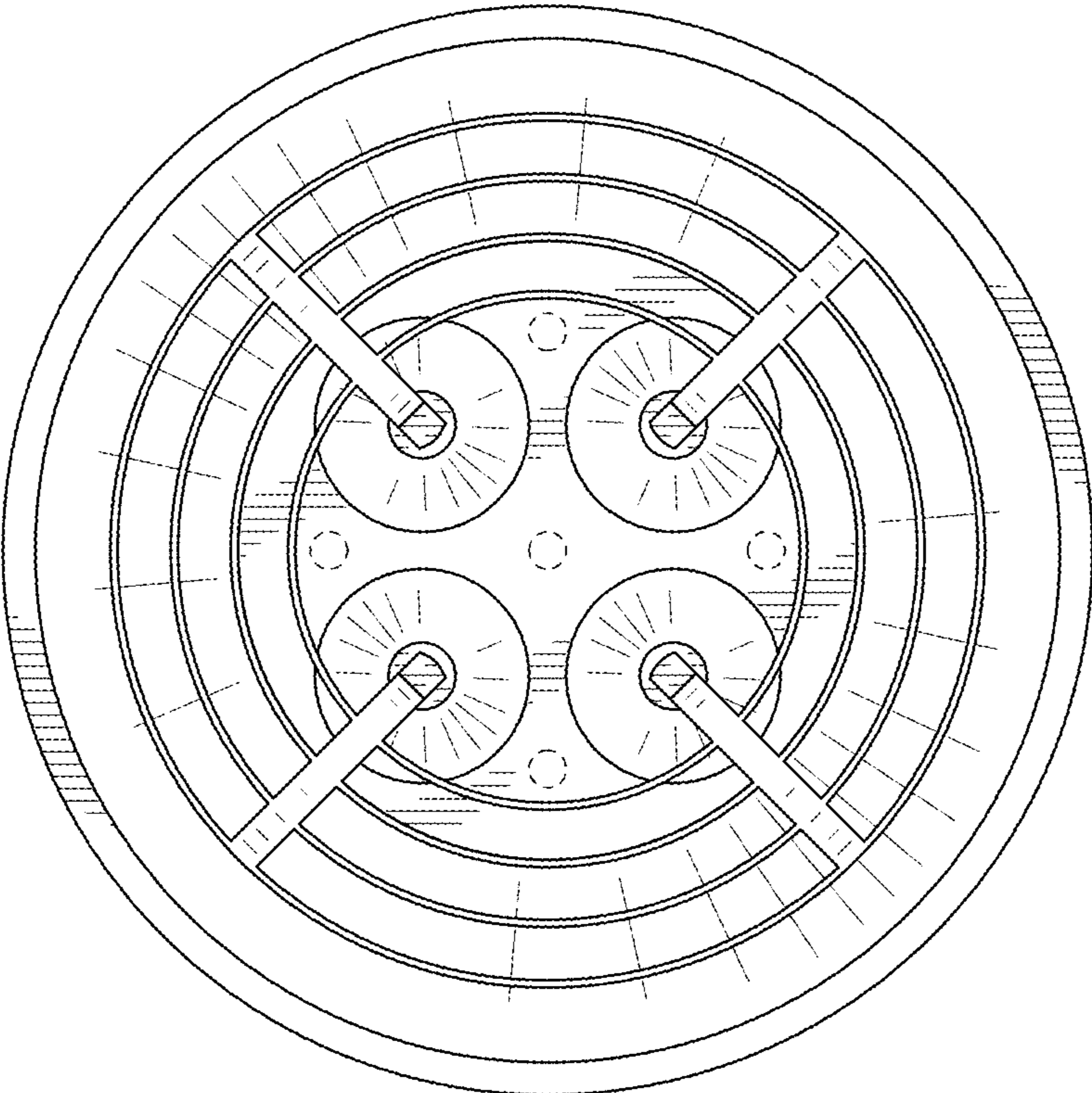


FIG. 8

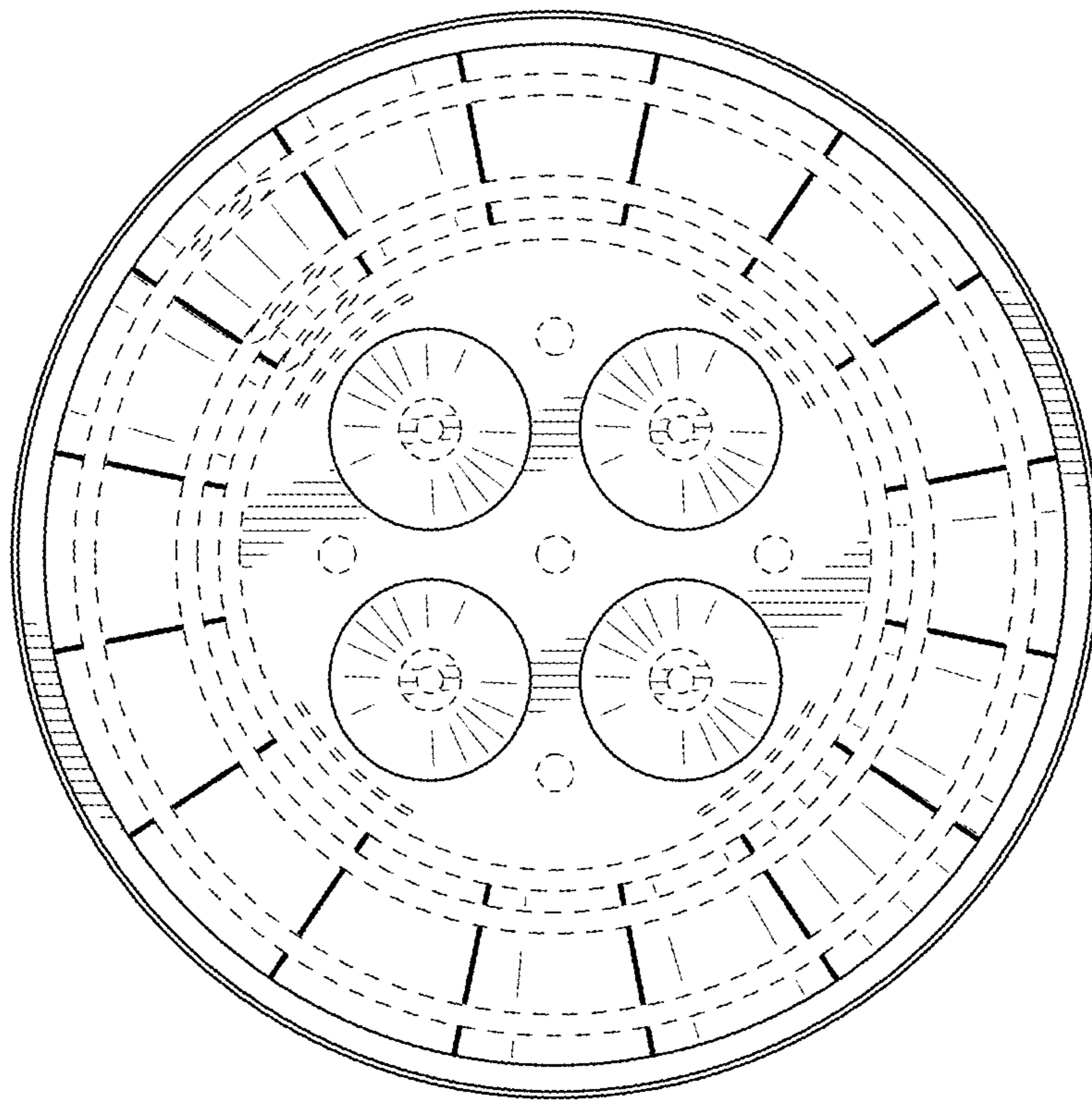


FIG. 9

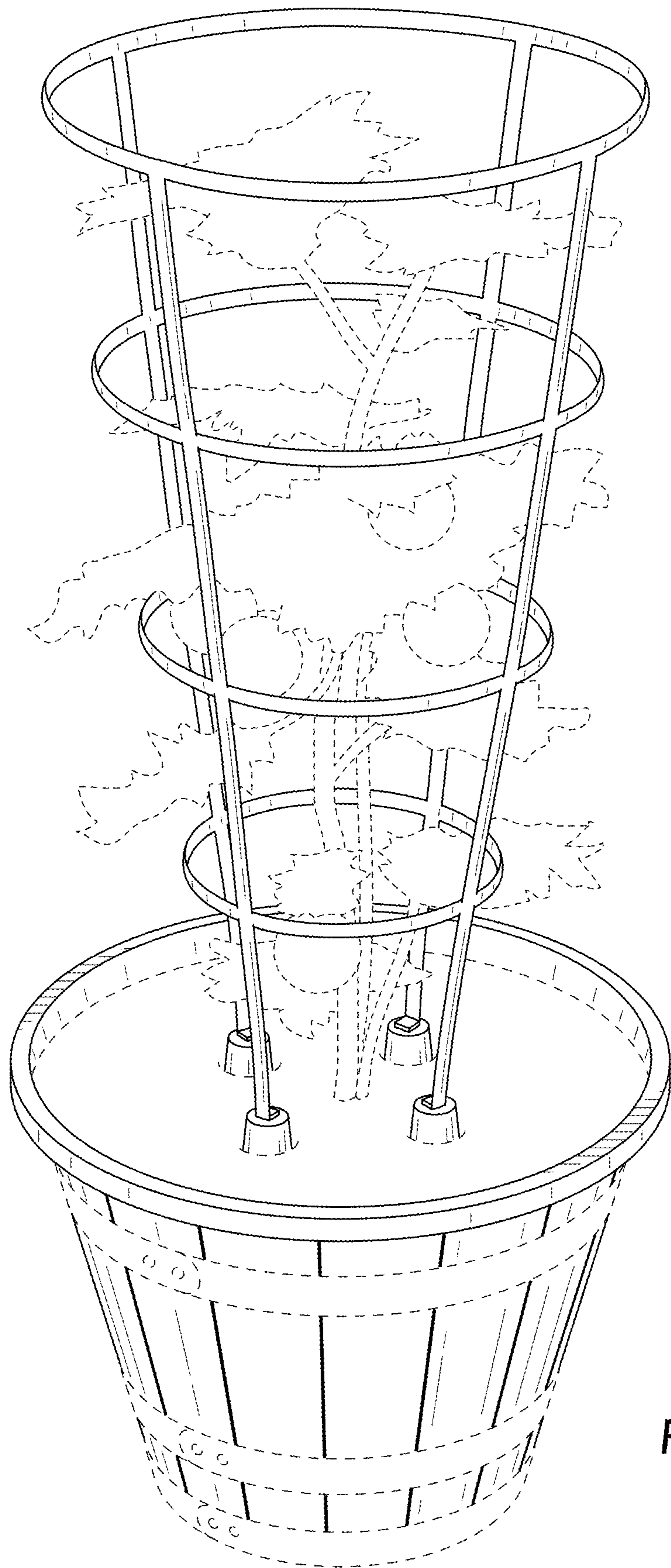


FIG. 10