



US00D906161S

(12) **United States Design Patent** (10) **Patent No.:** **US D906,161 S**
Silvestri (45) **Date of Patent:** **** Dec. 29, 2020**

(54) **ARTICLE OF JEWELRY**
(71) Applicant: **Bulgari S.p.A.**, Rome (IT)
(72) Inventor: **Lucia Silvestri**, Rome (IT)
(73) Assignee: **Bulgari S.p.A.**, Rome (IT)
(**) Term: **15 Years**
(21) Appl. No.: **29/659,866**
(22) Filed: **Aug. 13, 2018**
(30) **Foreign Application Priority Data**
Feb. 13, 2018 (WO) 6361801
(51) **LOC (12) Cl.** **11-01**
(52) **U.S. Cl.**
USPC **D11/91; D11/1**
(58) **Field of Classification Search**
USPC D11/1-3, 26, 34-37, 40, 41, 43, 67, 79,
D11/84, 90, 91, 92
CPC A44C 1/00; A44C 17/00; A44C 17/001;
A44C 17/02; A44C 17/04; A44C 9/00
See application file for complete search history.

(56) **References Cited**
U.S. PATENT DOCUMENTS
18,288 A * 9/1857 Lindsley A44C 17/046
63/28
419,251 A * 1/1890 Goff A44C 17/02
63/28
506,621 A * 10/1893 Bippart et al. A44C 17/02
63/28
537,710 A * 4/1895 Oppenheimer A44C 17/02
63/28
611,279 A * 9/1898 Ripley A44C 17/02
63/27
992,014 A * 5/1911 Lightbody A44C 17/001
63/32

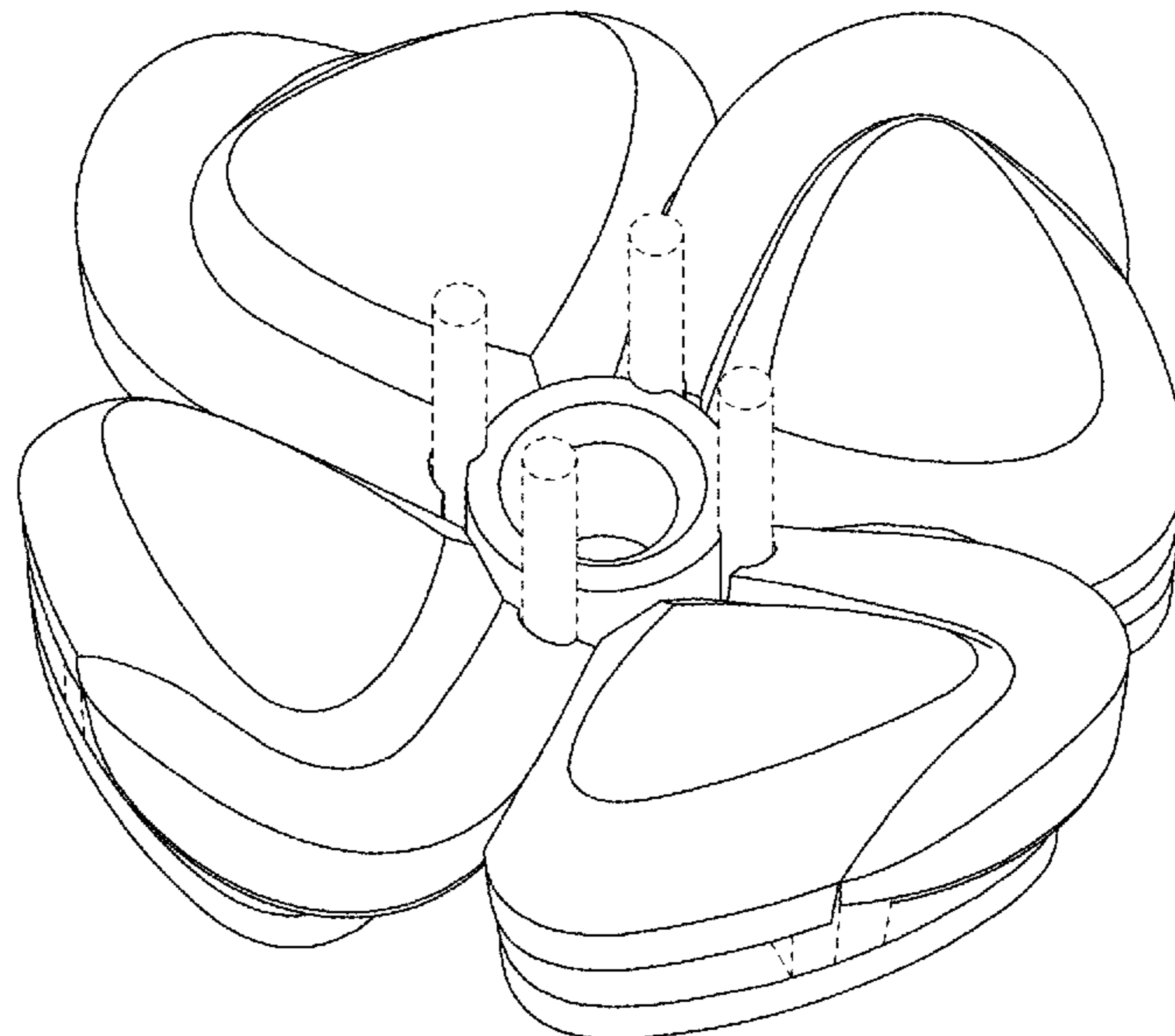
1,040,791 A * 10/1912 Shiman A44C 17/02
63/27
1,114,370 A * 10/1914 Ladd A44C 17/02
63/26
1,317,237 A * 9/1919 Suderov A44C 17/0208
63/29.1
1,320,262 A * 10/1919 Mertel A44C 1/00
63/20
D132,523 S * 5/1942 Gerstenzang D11/67
D141,301 S * 5/1945 Hobel D11/67
D155,178 S * 9/1949 Ostier D11/91
D157,167 S * 2/1950 Katz D11/40
D160,203 S * 9/1950 Philippe D11/67
D177,210 S * 3/1956 Bohlinger D11/92
D262,529 S * 1/1982 Bogdanov D11/34
D286,272 S * 10/1986 Bulgari D11/93
5,228,317 A * 7/1993 Hendricks A44C 17/0208
63/15.7
D534,454 S * 1/2007 Karachi-Langane D11/34
(Continued)

Primary Examiner — Llorellys Martinez
(74) *Attorney, Agent, or Firm* — Peter A. Sullivan;
Stephen J. Kenny; Foley Hoag LLP

(57) **CLAIM**
The ornamental design for an article of jewelry, as shown
and described.

DESCRIPTION
FIG. 1 is a front view of the article of jewelry showing my
new design.
FIG. 2 is a back view thereof.
FIG. 3 is a perspective view thereof.
FIG. 4 is a bottom view thereof.
FIG. 5 is a top view thereof.
FIG. 6 is a right view thereof; and,
FIG. 7 is a left view thereof.
The broken lines shown in the drawings represent portions
of the article of jewelry which form no part of the claimed
design.

1 Claim, 7 Drawing Sheets



(56)

References Cited

U.S. PATENT DOCUMENTS

D534,827	S *	1/2007	Hardy	D11/34
D538,194	S *	3/2007	Hardy	D11/34
D538,699	S *	3/2007	Hardy	D11/34
D549,126	S *	8/2007	Hon	D11/33
D702,588	S *	4/2014	Pasquetti	D11/84
D702,589	S *	4/2014	Pasquetti	D11/63
D718,153	S *	11/2014	Graff	D10/36
D734,198	S *	7/2015	Greppi	D11/84
D760,617	S *	7/2016	Kwon	D11/34
D781,172	S *	3/2017	Coin	D11/26
D828,211	S *	9/2018	Galli	D11/34
D828,778	S *	9/2018	Buccellati	D11/26
D839,763	S *	2/2019	Buccellati	D11/26
D847,690	S *	5/2019	Ho	D11/92
D847,691	S *	5/2019	Ho	D11/92
2005/0241337	A1 *	11/2005	Fouzailoff	A44C 17/04 63/28
2013/0263627	A1 *	10/2013	Bisserier	A44C 9/00 63/15
2014/0345094	A1 *	11/2014	Keyes	A44C 1/00 24/571
2015/0320154	A1 *	11/2015	Nevatia	A44C 1/00 63/15

* cited by examiner

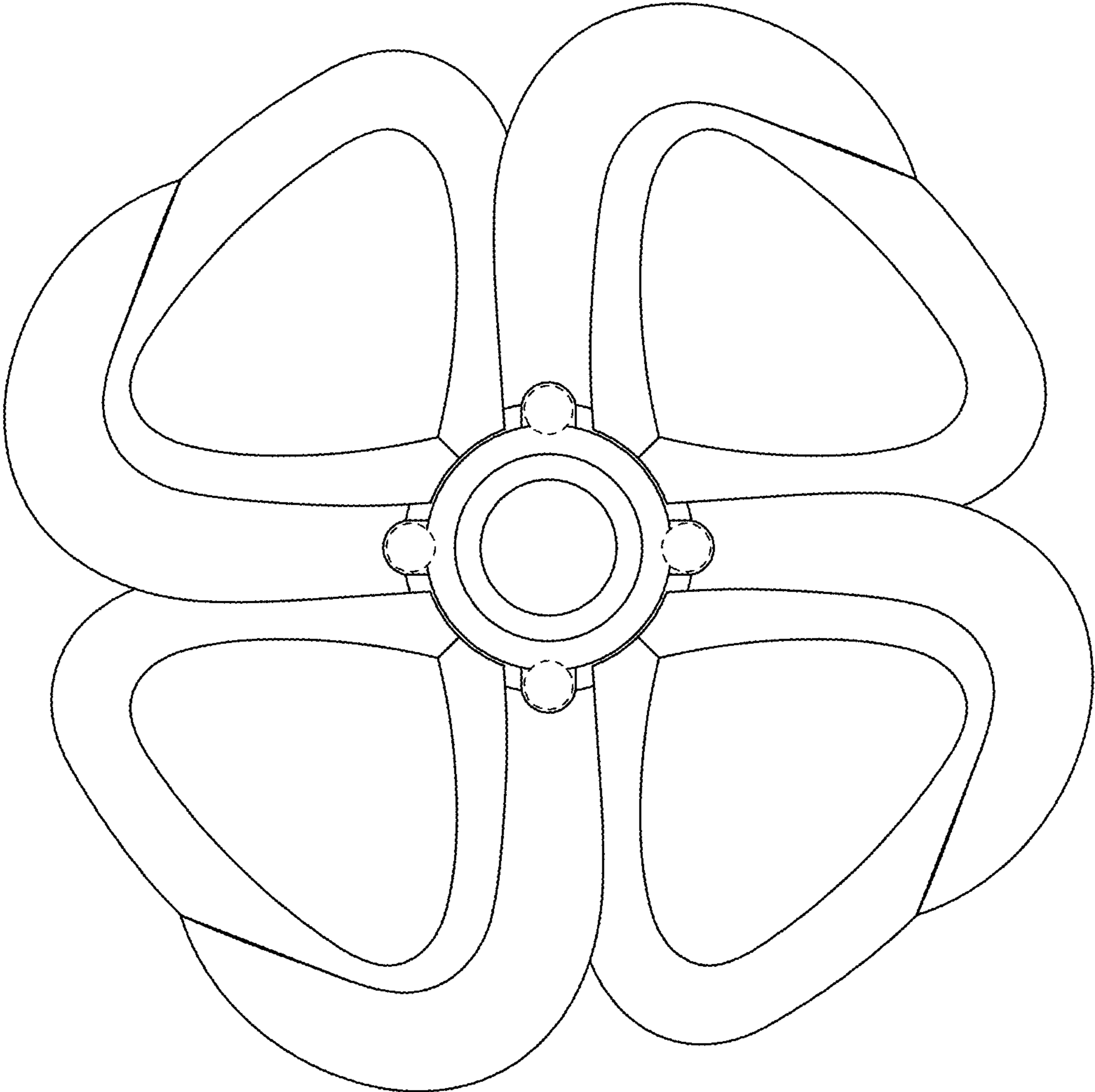


FIG. 1

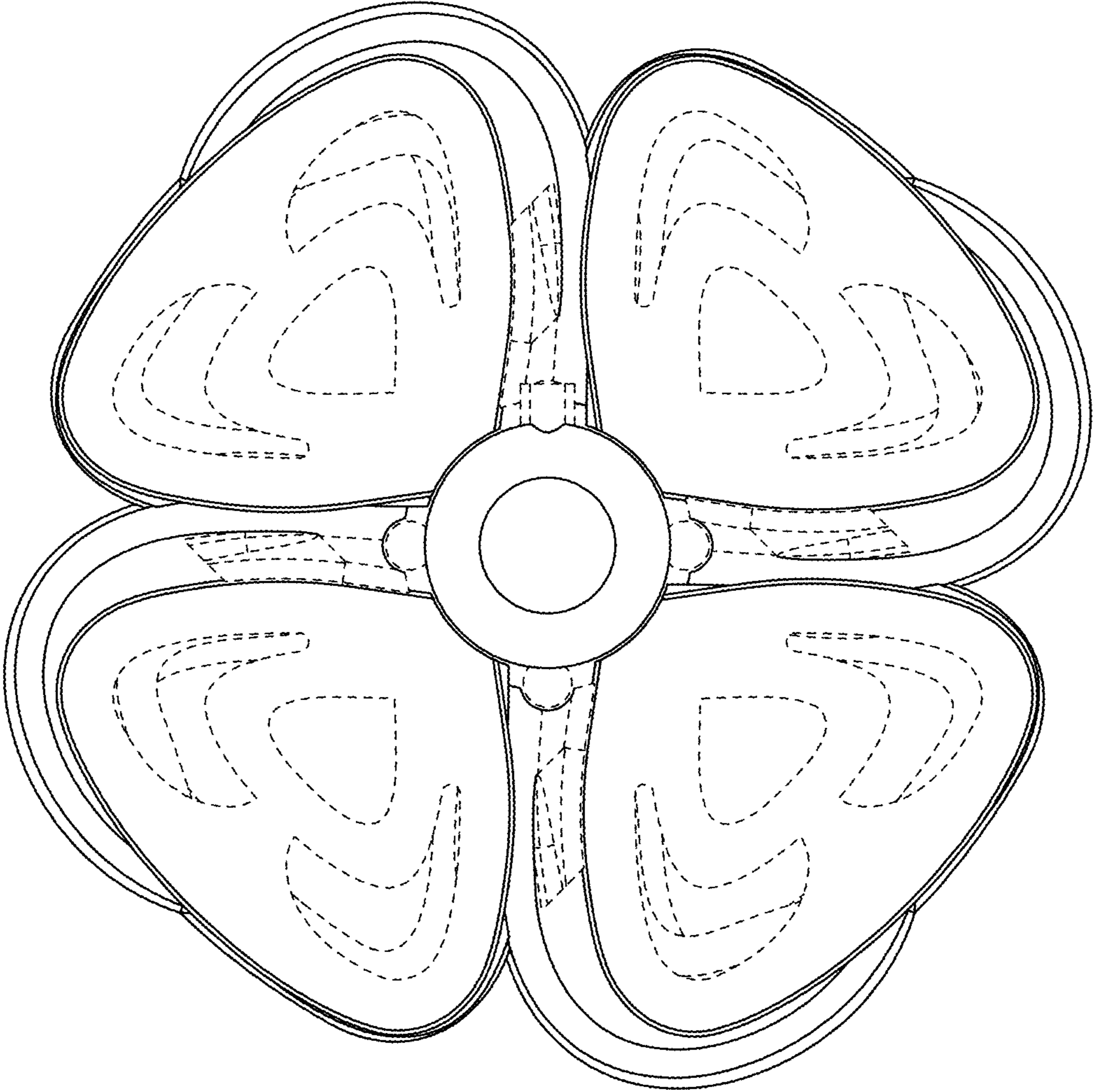


FIG.2

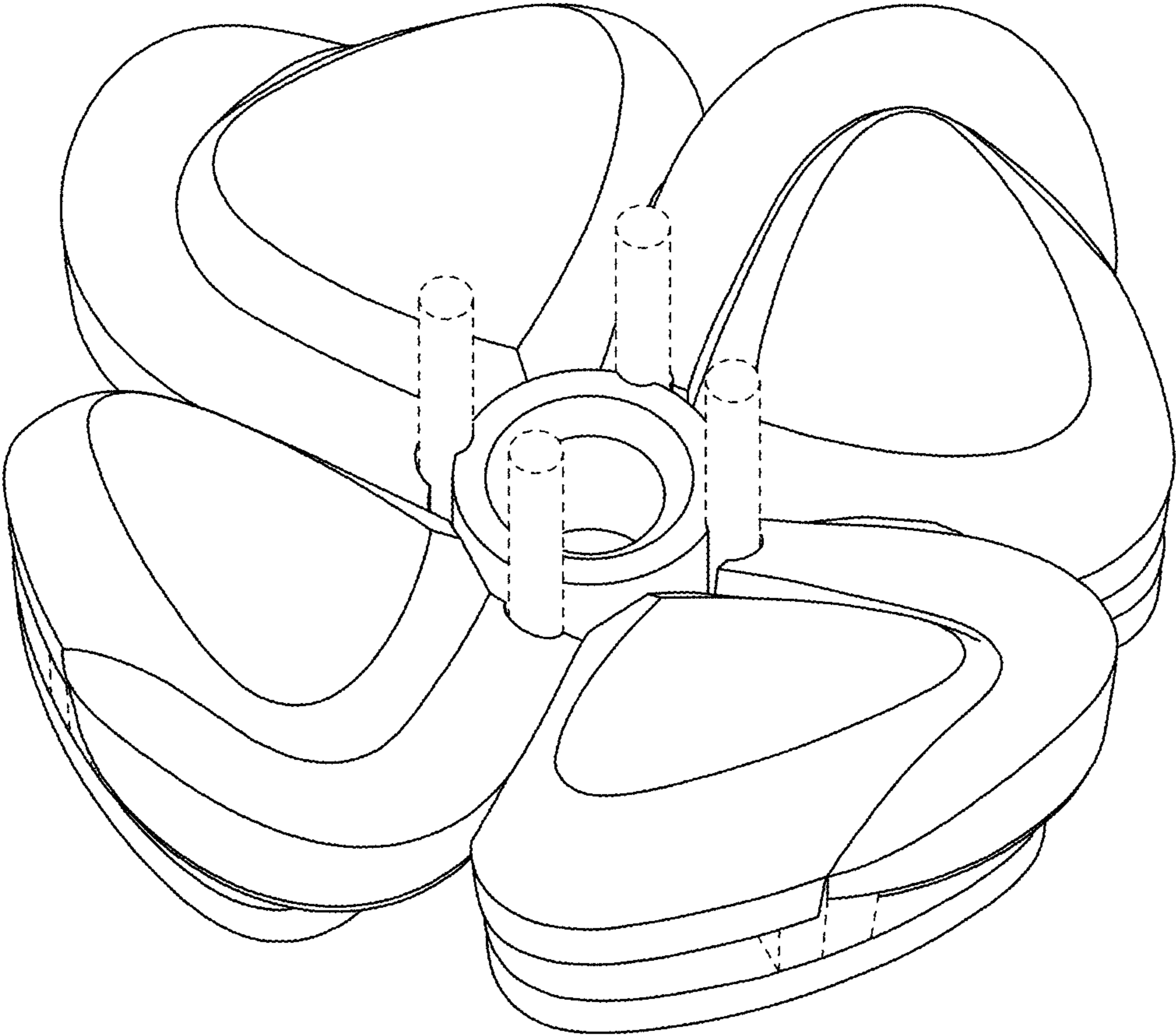


FIG. 3

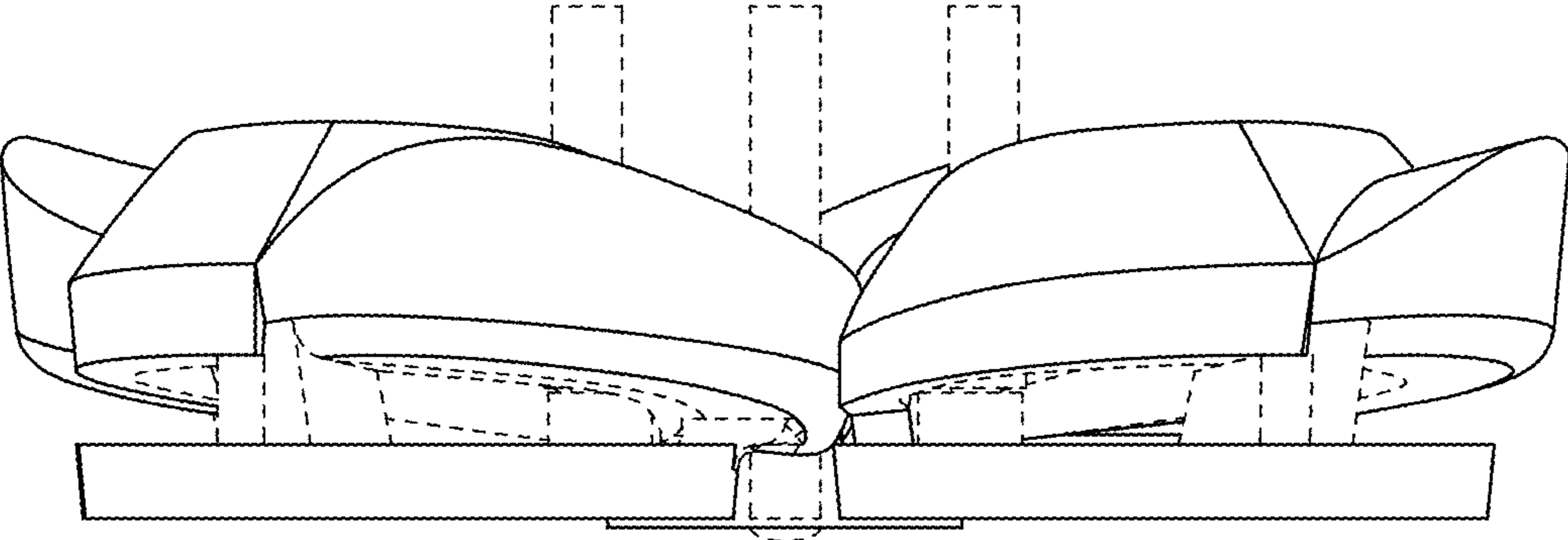


FIG.4

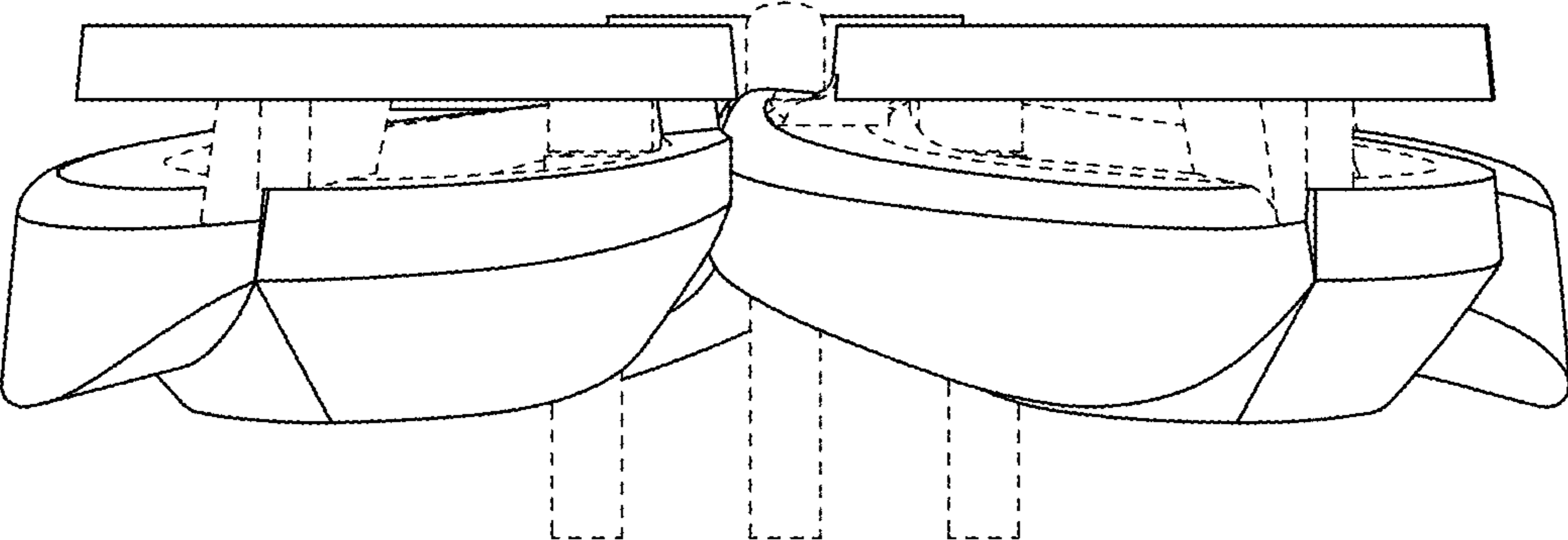


FIG. 5

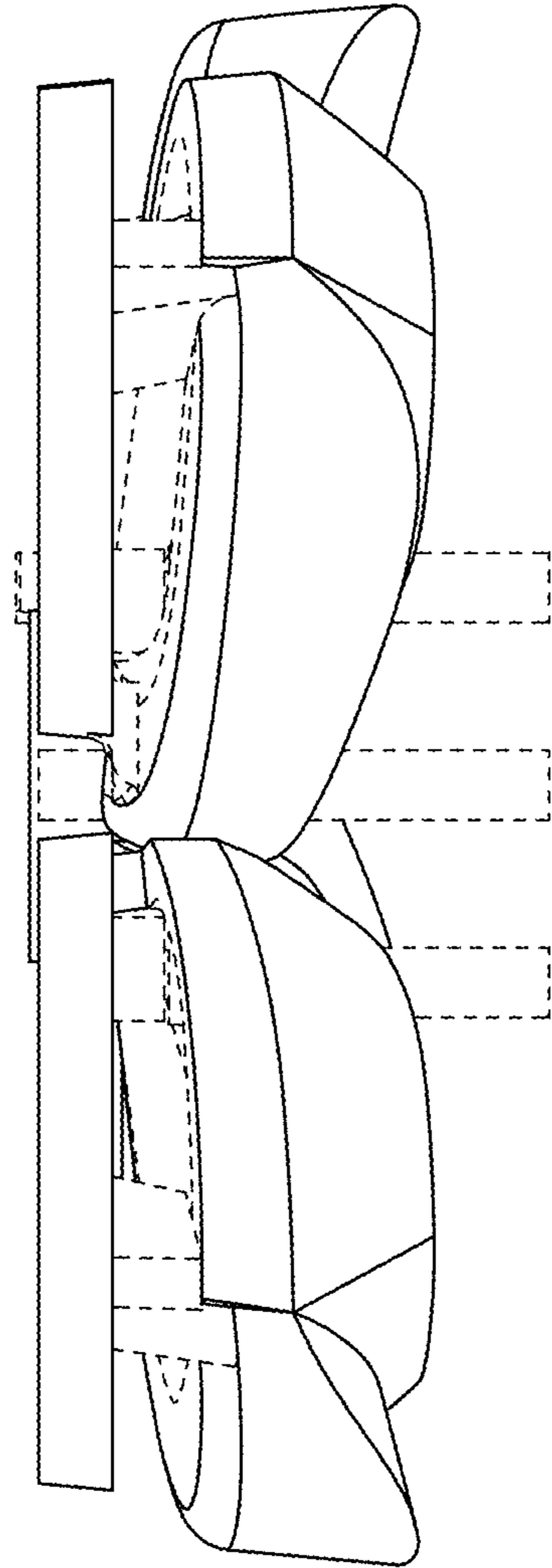


FIG. 6

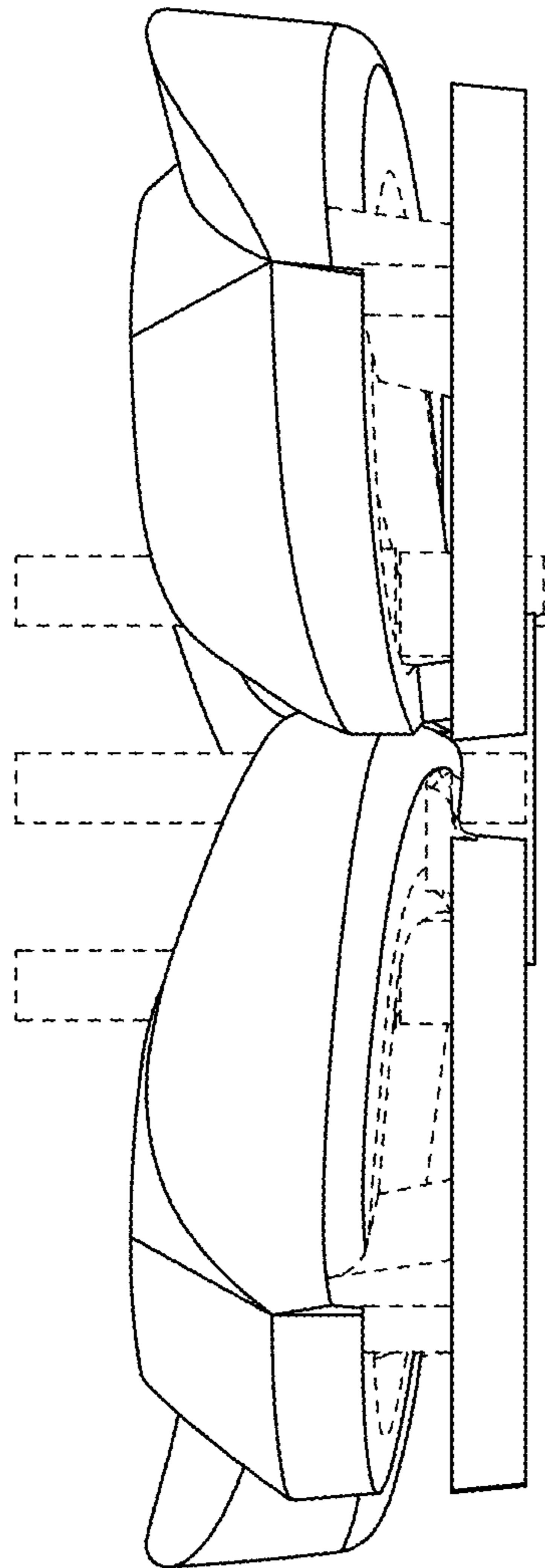


FIG. 7