



US00D906160S

(12) **United States Design Patent** (10) **Patent No.:** **US D906,160 S**
Jacobson (45) **Date of Patent:** **** Dec. 29, 2020**

(54) **GEMSTONE**
(71) Applicant: **Olympian Diamonds, Inc.**, Chicago, IL (US)
(72) Inventor: **Joel Jacobson**, Chicago, IL (US)
(**) Term: **15 Years**
(21) Appl. No.: **29/739,080**
(22) Filed: **Jun. 22, 2020**
(51) **LOC (12) Cl.** **11-01**
(52) **U.S. Cl.**
USPC **D11/90**
(58) **Field of Classification Search**
USPC D11/1, 2, 16, 26-29, 34, 35, 36, 89-9, D11/89-92
CPC A44C 17/00; A44C 17/001; A44C 17/002; A44C 17/003; A44C 17/005; A44C 17/006; A44C 17/007; A44C 17/008
See application file for complete search history.

(56) **References Cited**

U.S. PATENT DOCUMENTS

D412,136 S	7/1999	Namdar	
D437,671 S	2/2001	Fajerstein	
D455,367 S *	4/2002	Tolkowsky	D11/90
D459,268 S *	6/2002	Goldberg	D11/90
D459,677 S	7/2002	Rydlwicz	
D498,170 S *	11/2004	Mehta	D11/90
D499,984 S *	12/2004	Cutshall	D11/90
D501,153 S *	1/2005	Tolkowsky	D11/90
6,990,833 B2	1/2006	Smith	

D694,665 S *	12/2013	Mitchener	D11/90
8,844,319 B2	9/2014	Weingarten	
D810,613 S *	2/2018	Mehta	D11/90
D878,961 S *	3/2020	Rydlwicz	D11/89
D885,244 S *	5/2020	Mehta	D11/90
D893,342 S *	8/2020	Rydlwicz	D11/89
2005/0252241 A1 *	11/2005	Oster	A44C 17/001 63/32
2007/0186586 A1 *	8/2007	Matsumura	A44C 17/001 63/32

* cited by examiner

Primary Examiner — Michelle E. Wilson
Assistant Examiner — Tracey J Bell

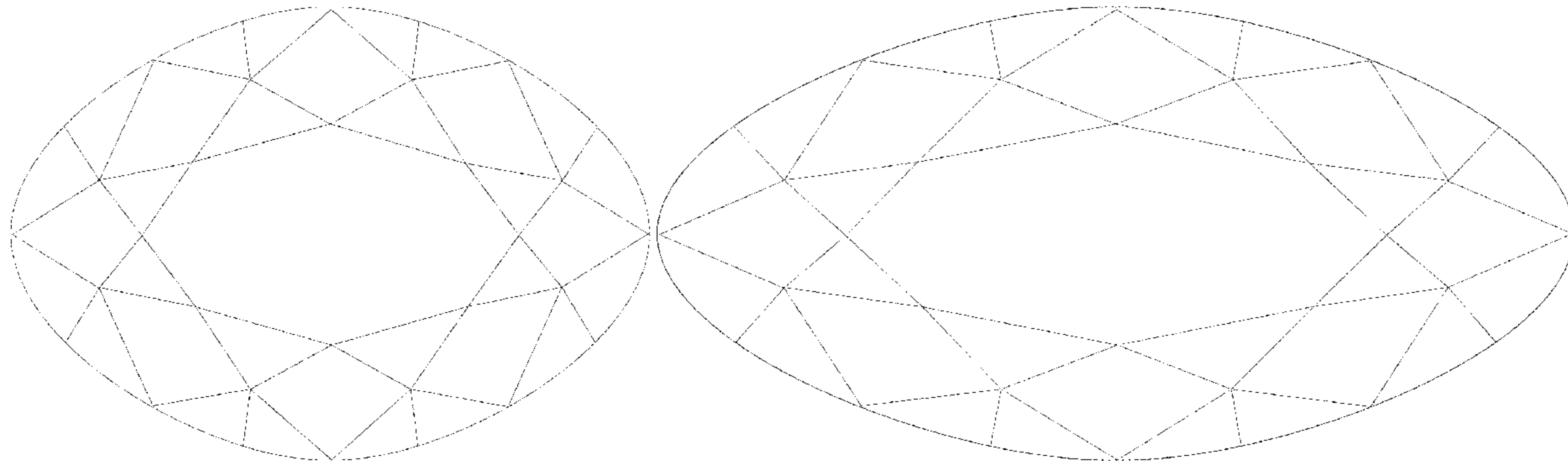
(57) **CLAIM**

The ornamental design for a gemstone, as shown and described.

DESCRIPTION

FIG. 1 is a top view of a gemstone;
FIG. 2 is a bottom view thereof;
FIG. 3 is a first side view thereof;
FIG. 4 is a second side view thereof;
FIG. 5 is a top view of a second embodiment of the gemstone;
FIG. 6 is a bottom view thereof;
FIG. 7 is a first side view thereof;
FIG. 8 is a second side view thereof;
FIG. 9 is a top view of a third embodiment of the gemstone;
FIG. 10 is a bottom view thereof;
FIG. 11 is a first side view thereof; and,
FIG. 12 is a second side view thereof.

1 Claim, 6 Drawing Sheets



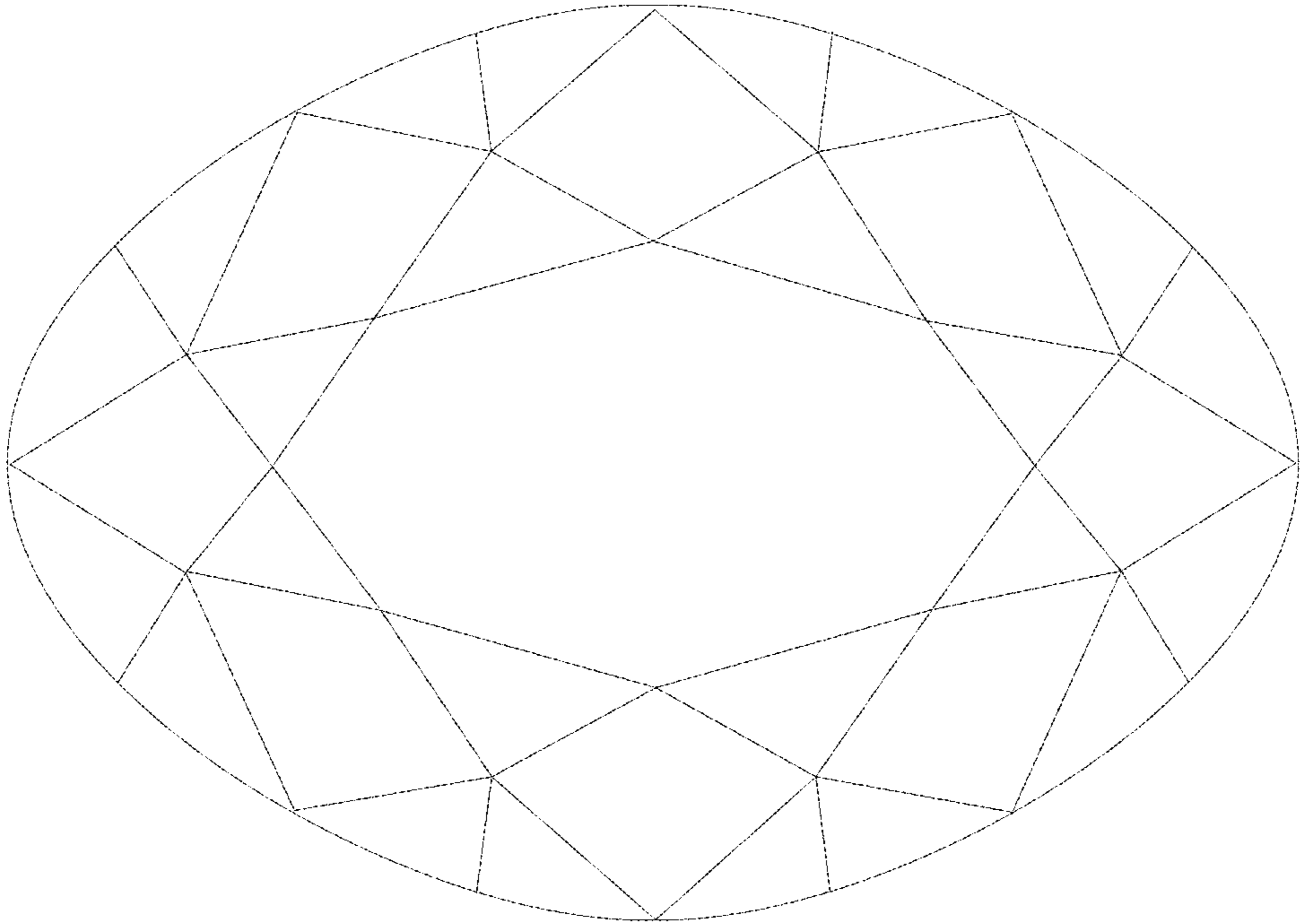


Fig. 1

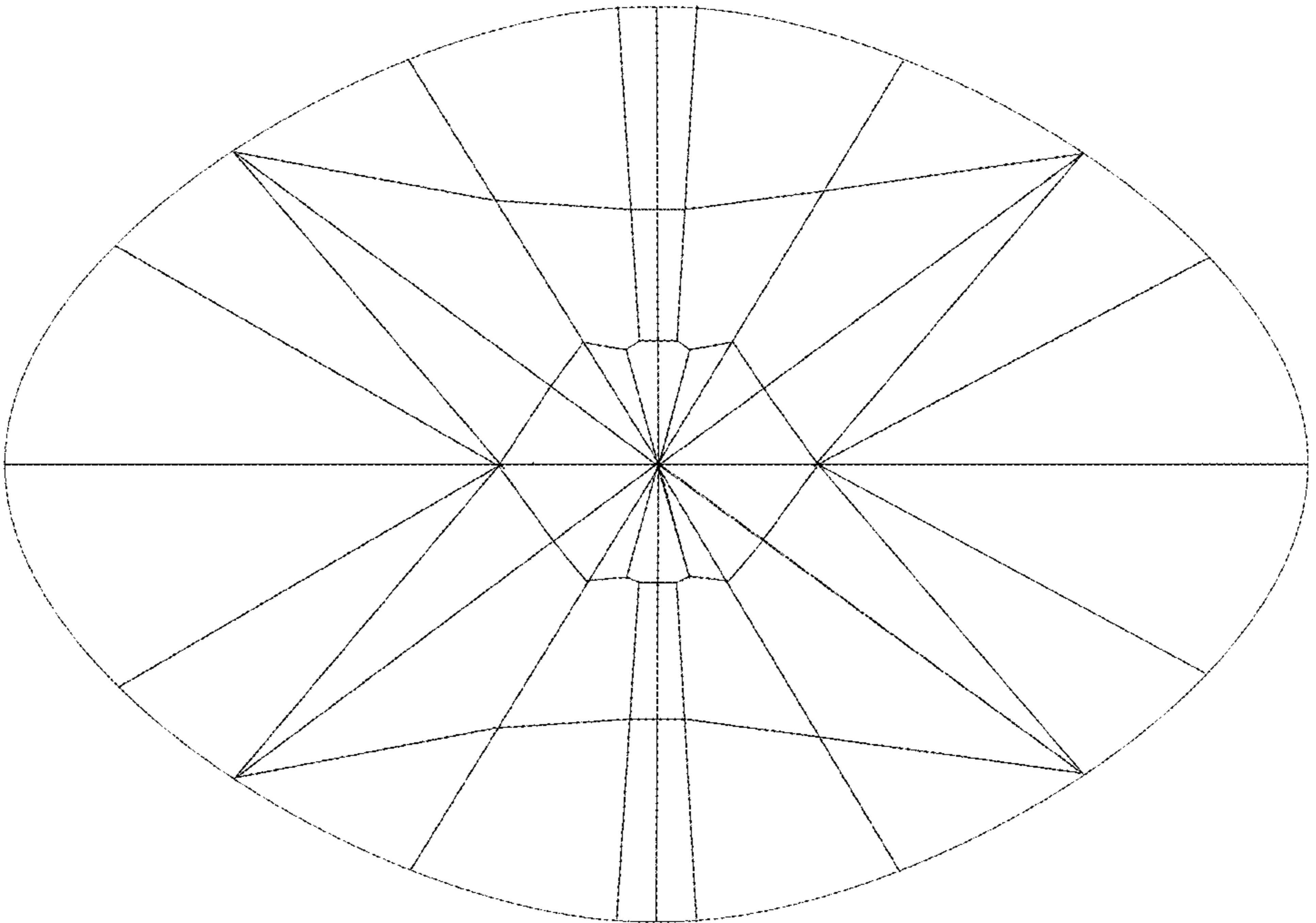


Fig. 2

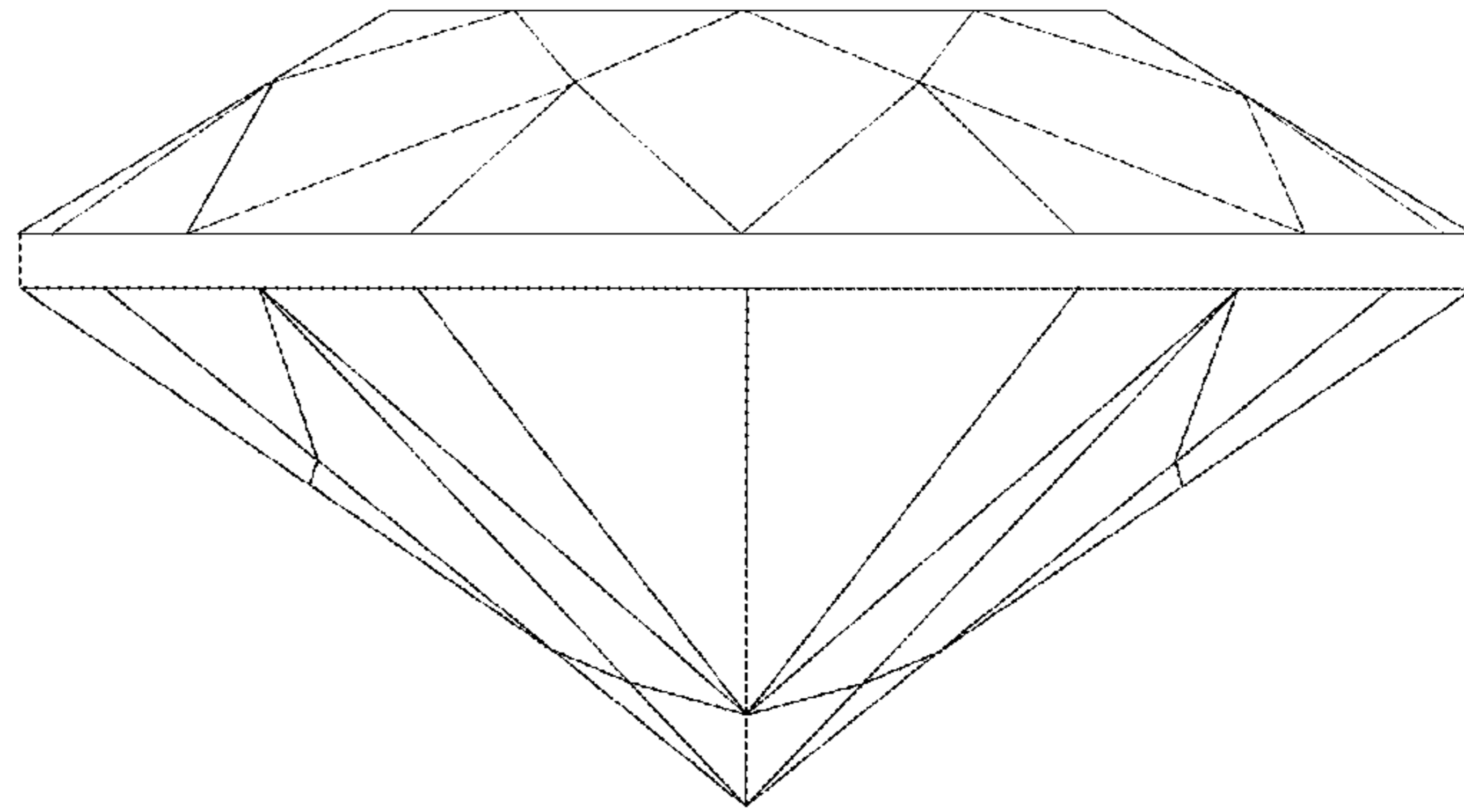


Fig. 3

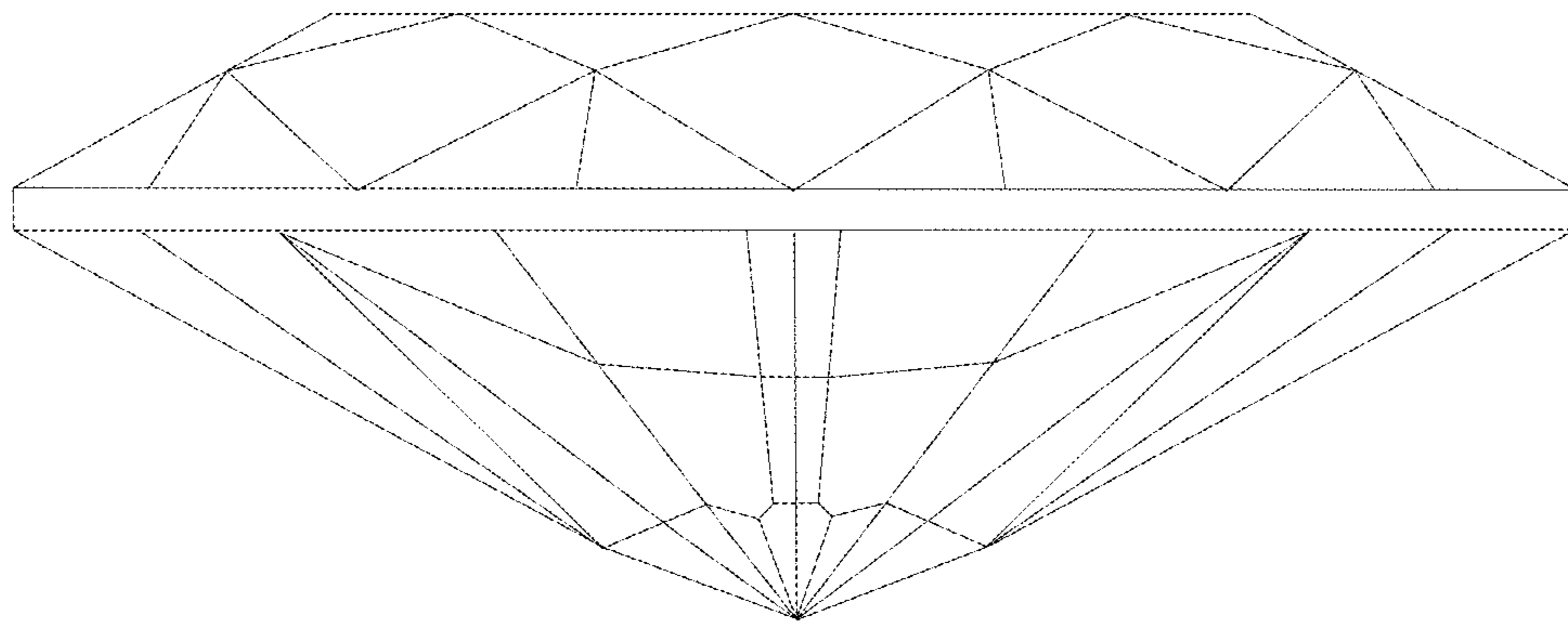


Fig. 4

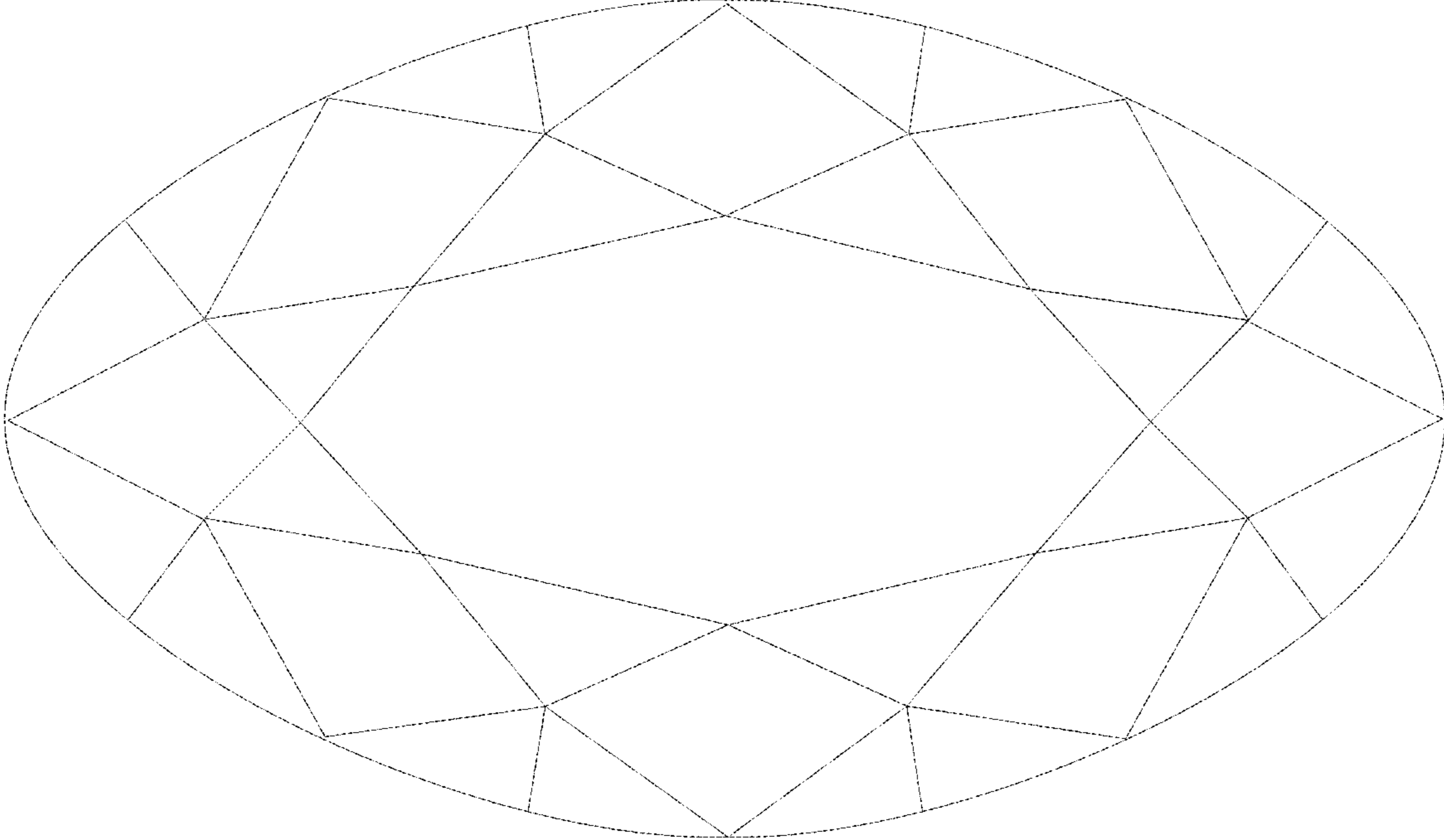


Fig. 5

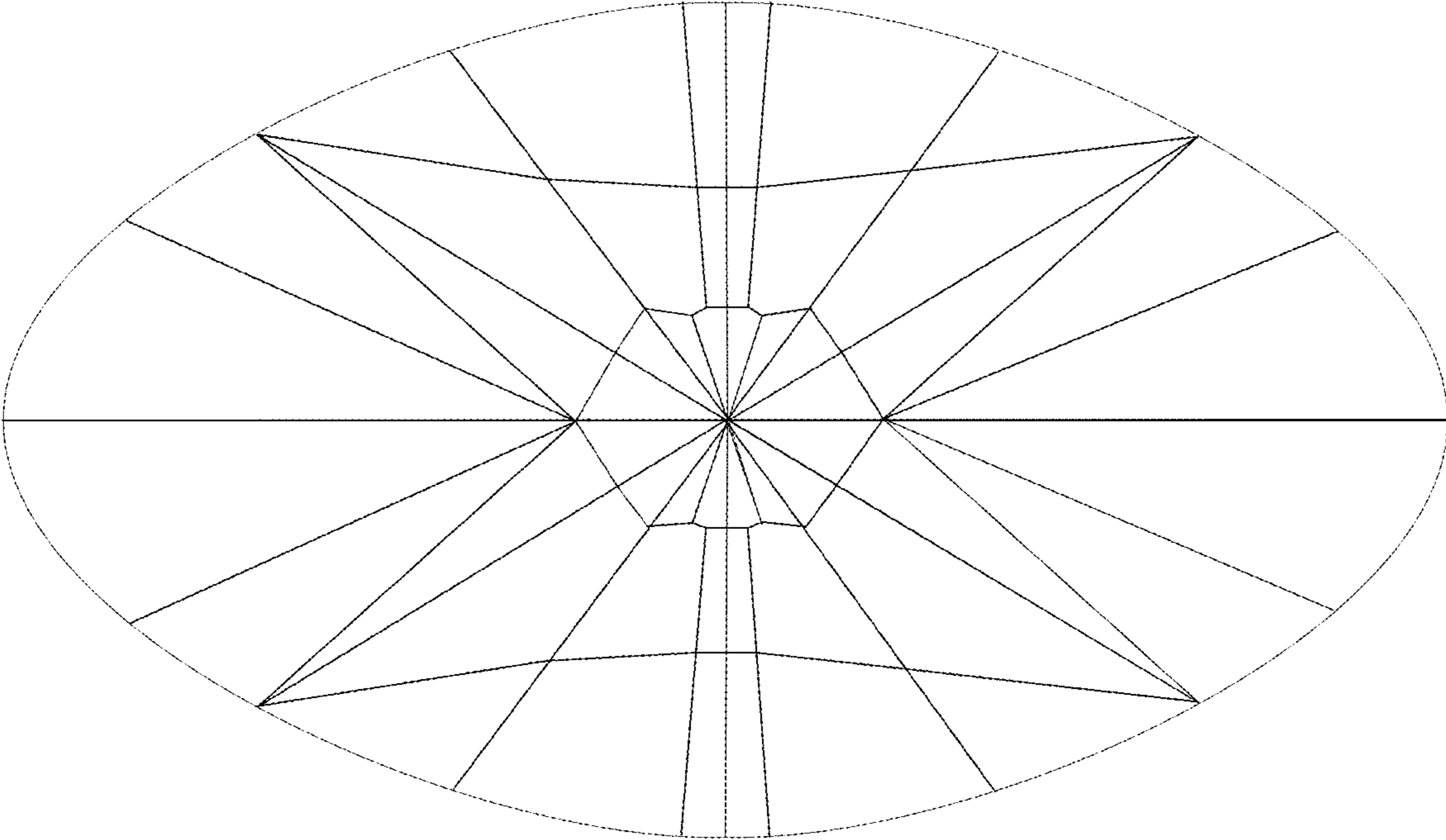


Fig. 6

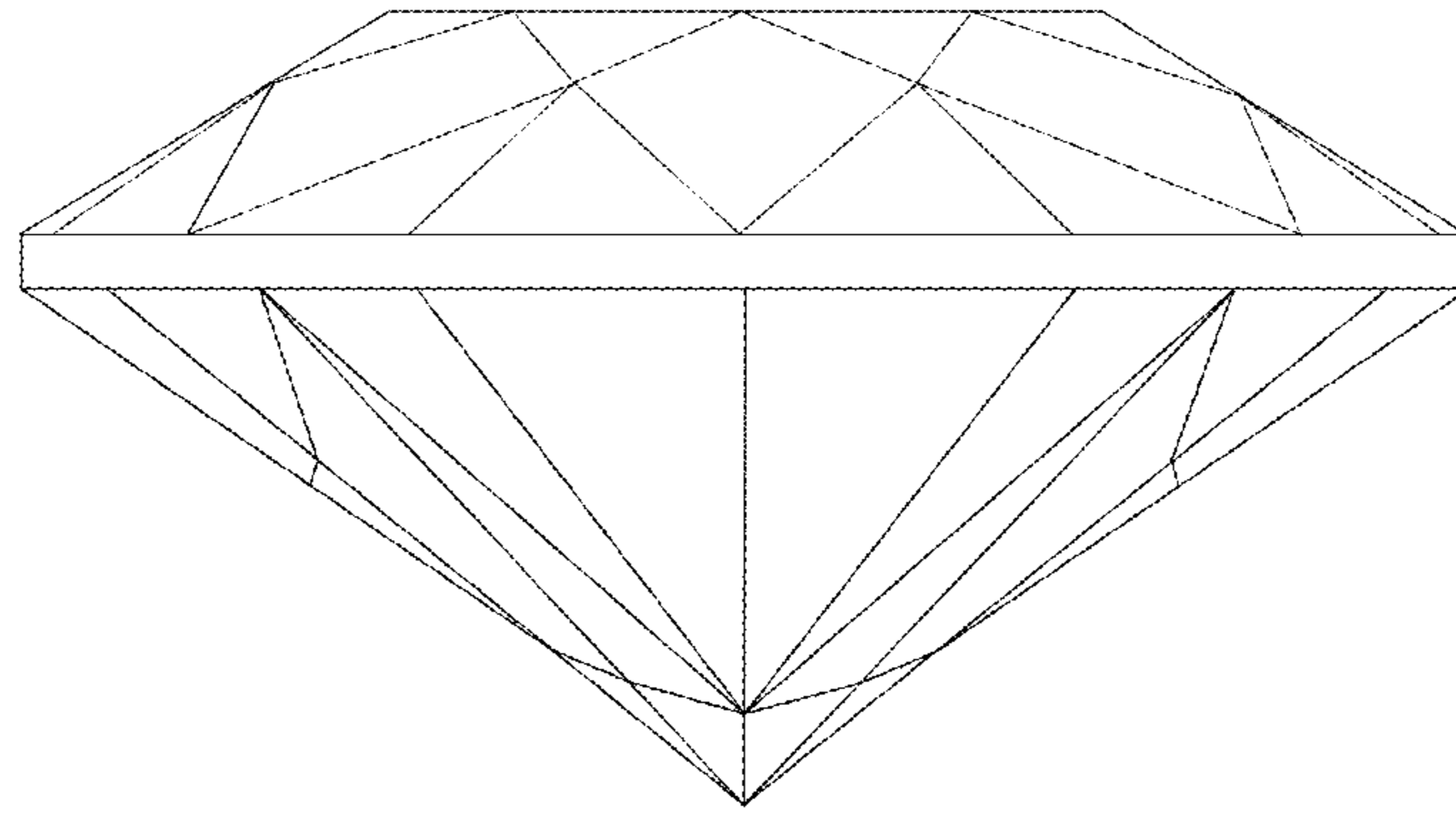


Fig. 7

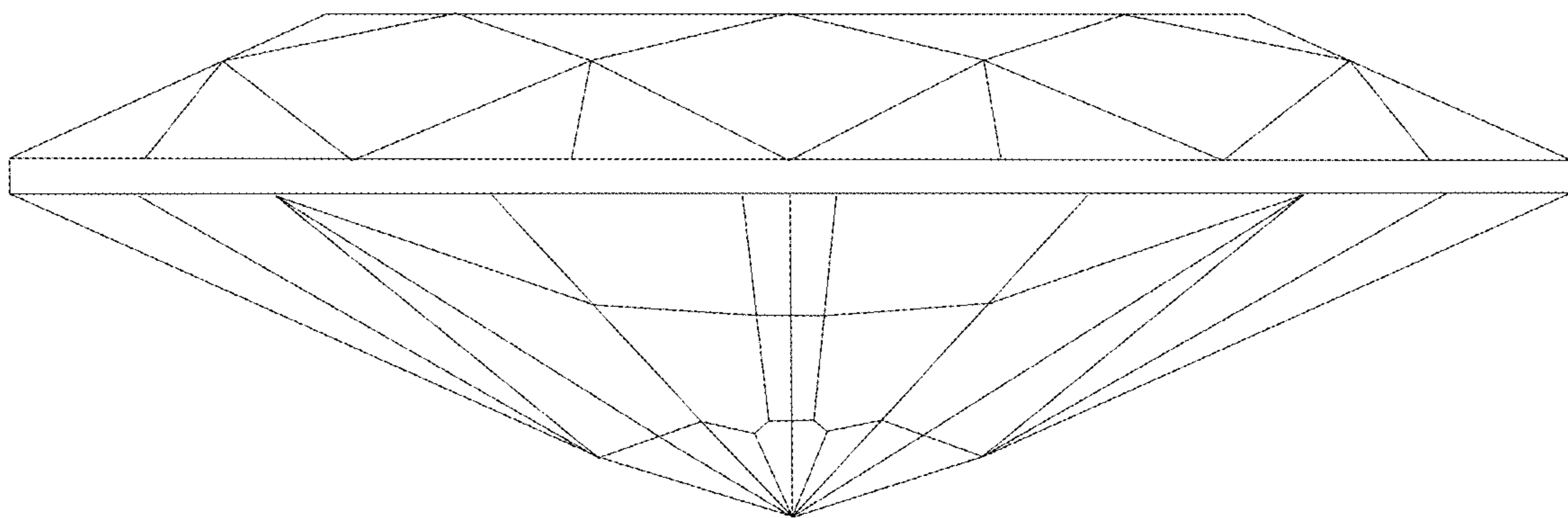


Fig. 8

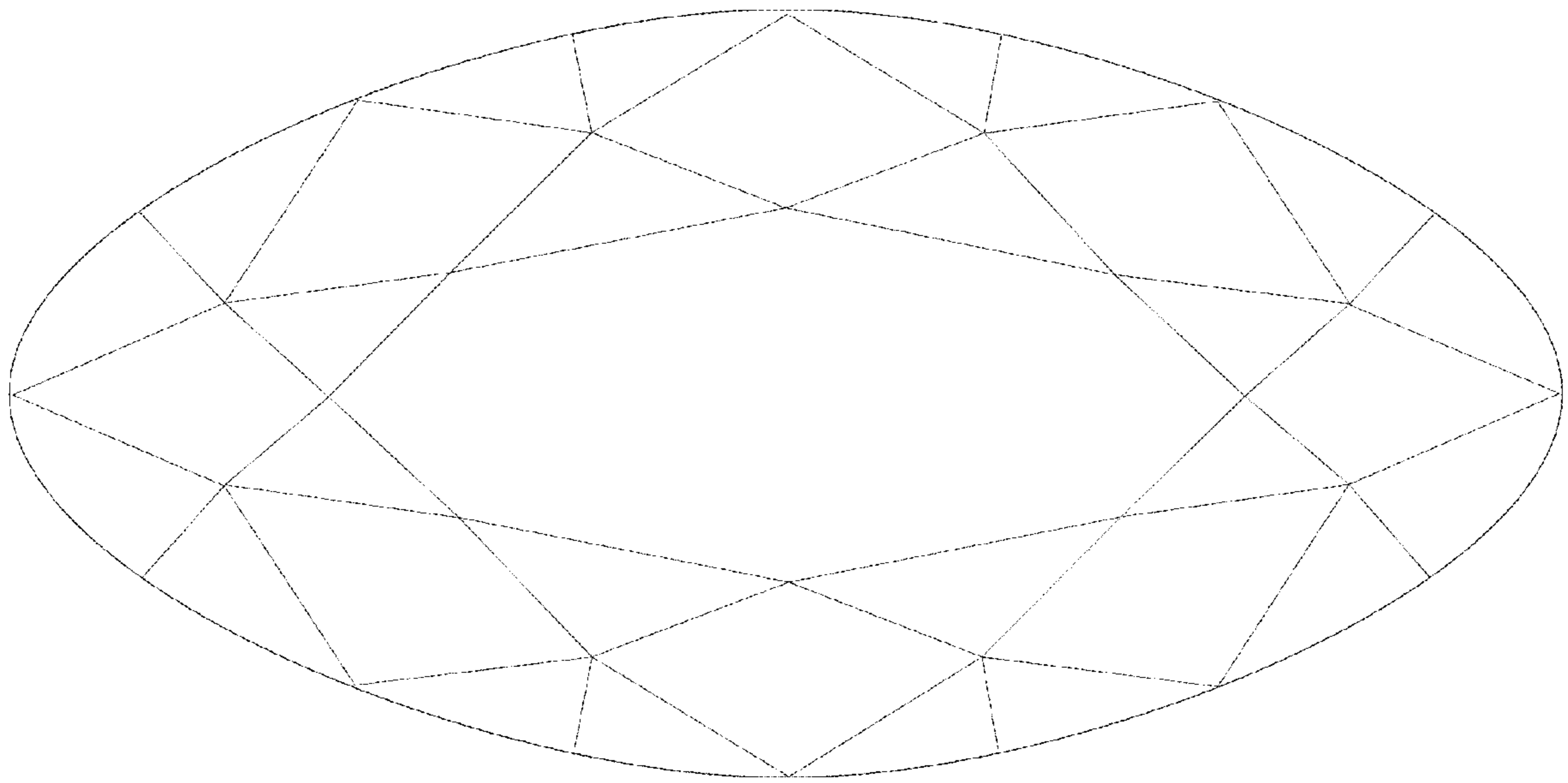


Fig. 9

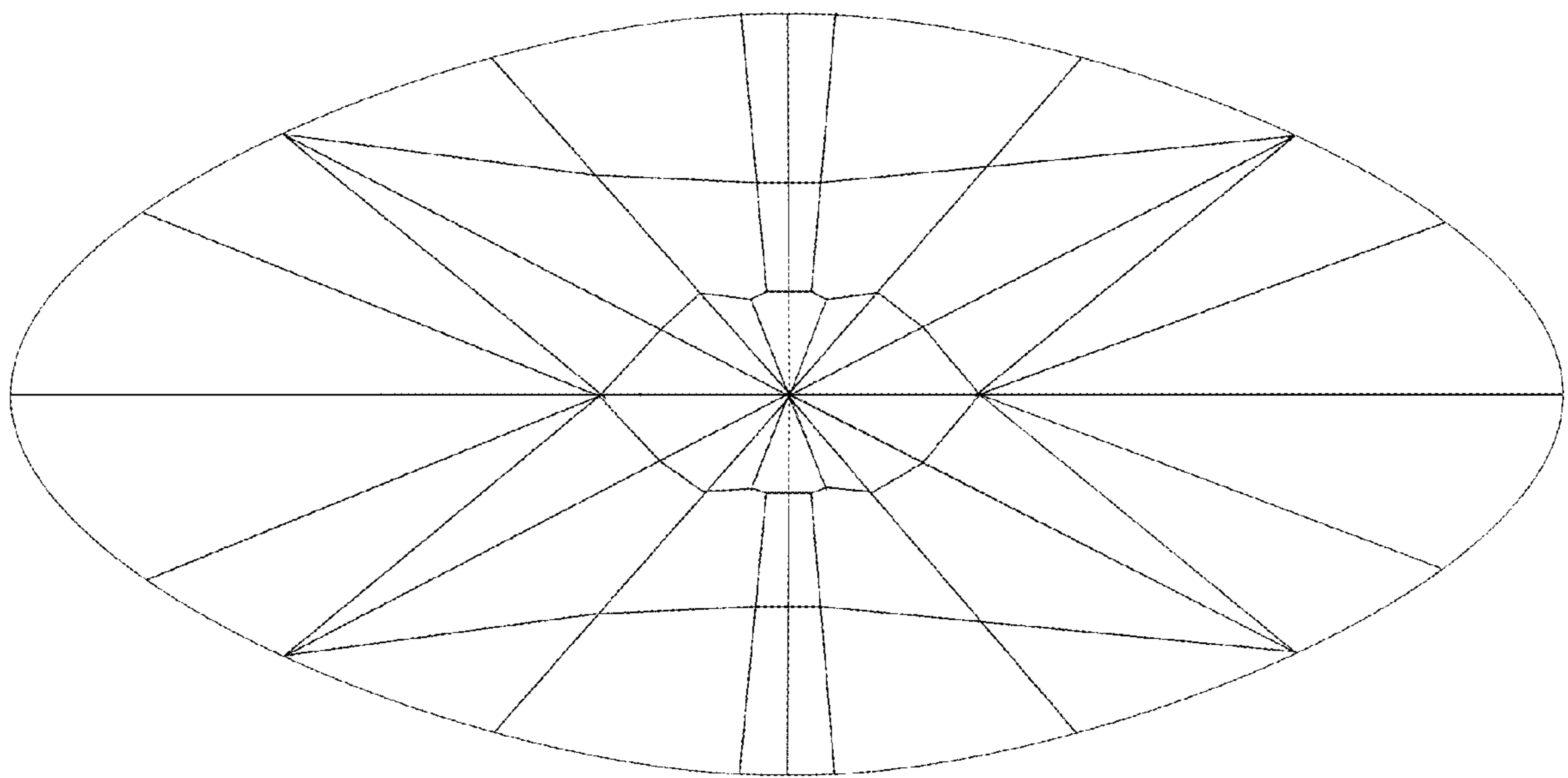


Fig. 10

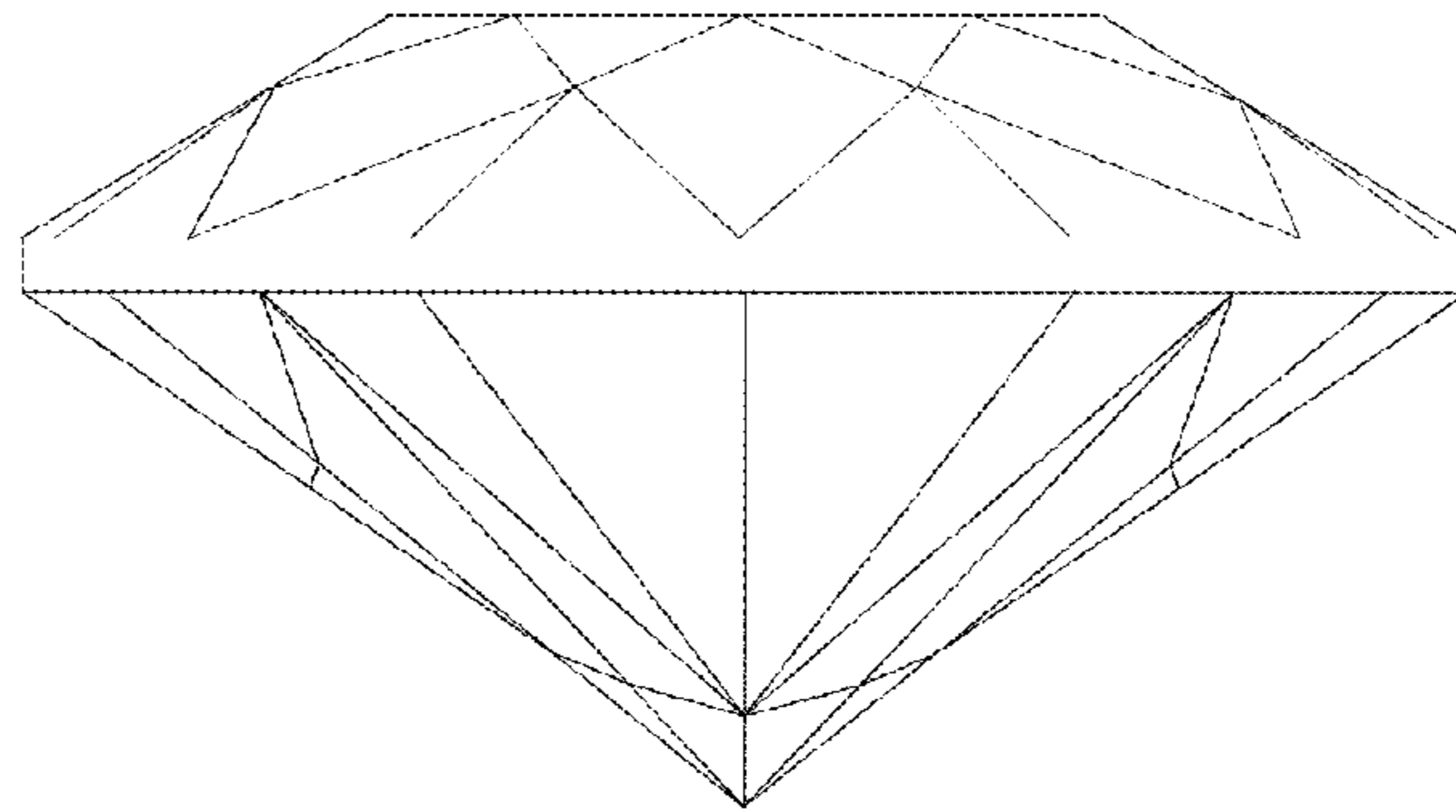


Fig. 11

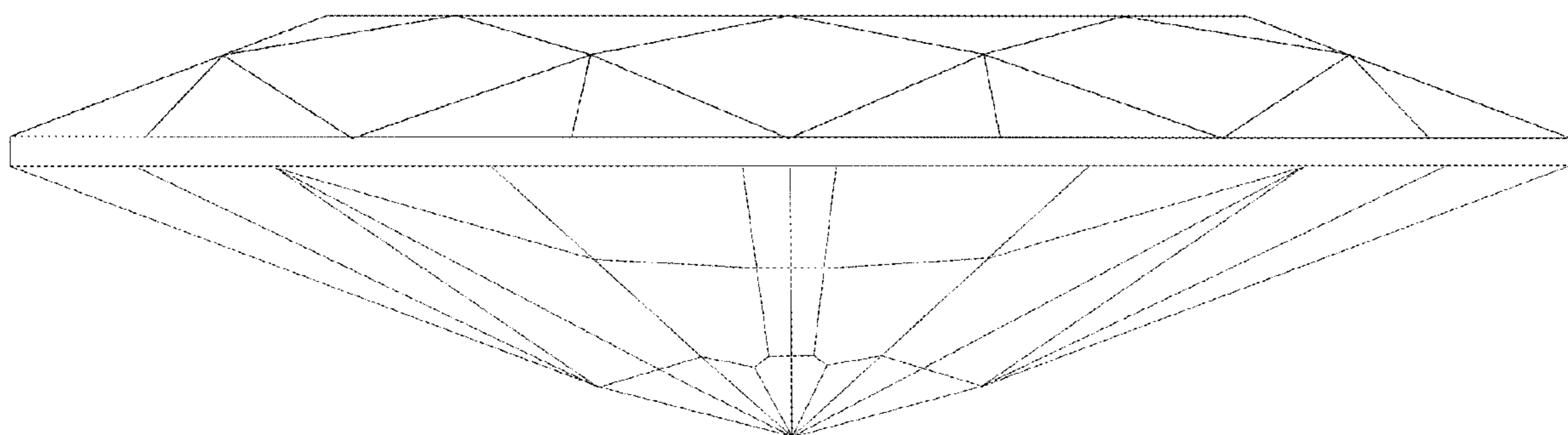


Fig. 12