



US00D906150S

(12) **United States Design Patent** (10) **Patent No.:** **US D906,150 S**  
**Jacob et al.** (45) **Date of Patent:** **\*\* Dec. 29, 2020**

(54) **DOORBELL**

(56) **References Cited**

(71) Applicant: **GOOGLE LLC**, Mountain View, CA (US)

U.S. PATENT DOCUMENTS

(72) Inventors: **Rochus Emanuel Jacob**, San Francisco, CA (US); **Hae rim Jeong**, San Francisco, CA (US); **Adam Duckworth Mittleman**, Redwood City, CA (US); **Shih Ming Tsung**, New Taipei (TW); **Jacobi Colton Grillo**, San Francisco, CA (US); **Jason Evans Goulden**, Los Gatos, CA (US); **Étienne Bérubé**, San Francisco, CA (US); **Minjung Kim**, Sunnyvale, CA (US)

4,967,046 A 10/1990 Priesemuth  
D339,543 S 9/1993 Martin  
(Continued)

OTHER PUBLICATIONS

(73) Assignee: **GOOGLE LLC**, Mountain View, CA (US)

Google, Patent Certificate for Design, Certificate No. 4493940, Patent No. ZL201730288012.3, Jan. 30, 2018, 1 Pg.  
(Continued)

(\*\*) Term: **15 Years**

*Primary Examiner* — George D. Kirschbaum  
*Assistant Examiner* — Joseph J Kukella  
(74) *Attorney, Agent, or Firm* — Morgan, Lewis & Bockius LLP

(21) Appl. No.: **29/699,639**

(57) **CLAIM**

(22) Filed: **Jul. 26, 2019**

The ornamental design for a doorbell, as shown and described.

**Related U.S. Application Data**

**DESCRIPTION**

(63) Continuation of application No. 29/649,733, filed on Jun. 1, 2018, now Pat. No. Des. 879,640, which is a (Continued)

FIG. 1 is a front perspective view of a doorbell showing our new design;  
FIG. 2 is a rear perspective view thereof;  
FIG. 3 is a front elevational view thereof;  
FIG. 4 is a rear elevational view thereof;  
FIG. 5 is a left-side elevational view thereof;  
FIG. 6 is a right-side elevational view thereof;  
FIG. 7 is a top plan view thereof; and,  
FIG. 8 is a bottom plan view thereof.

(30) **Foreign Application Priority Data**

Jan. 4, 2017 (EM) ..... 003569169-0003

(51) **LOC (12) Cl.** ..... **10-05**

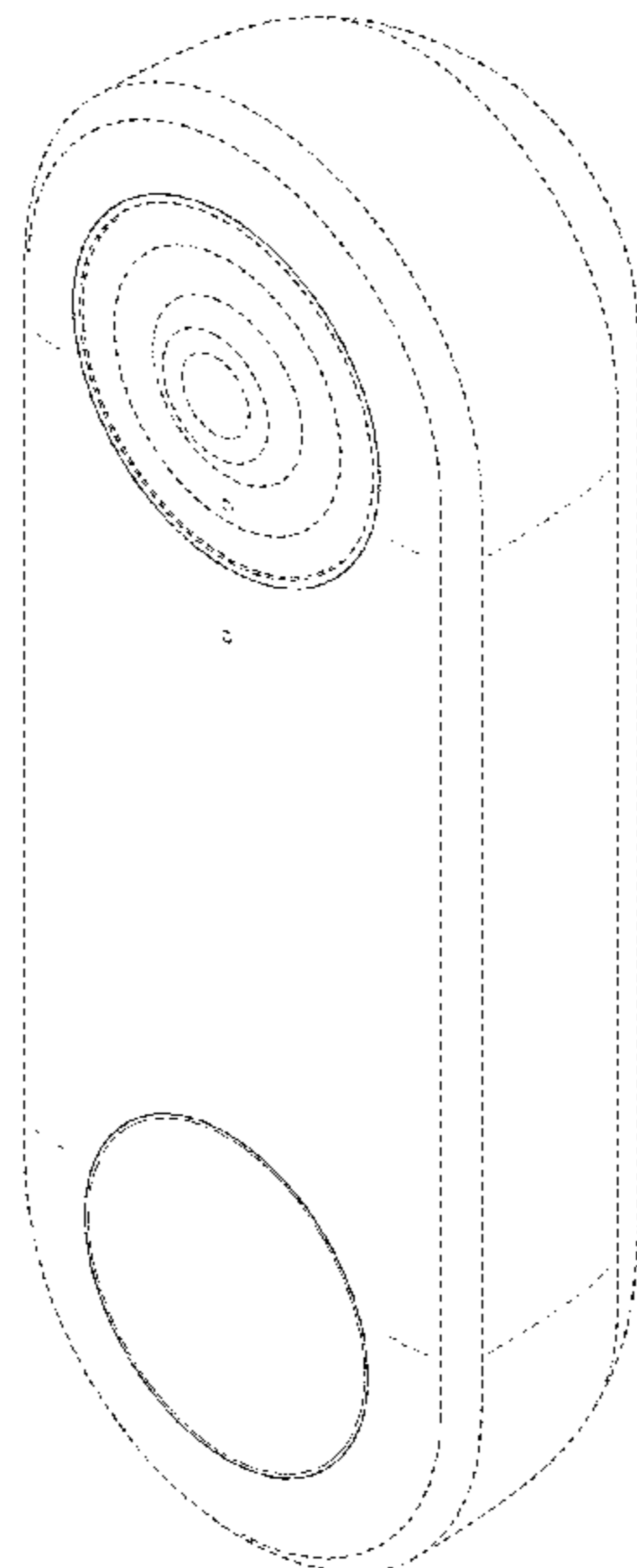
(52) **U.S. Cl.**  
USPC ..... **D10/118.2**

(58) **Field of Classification Search**  
USPC ..... D10/104.1, 106.6, 106.7, 106.8, 108,  
D10/116.1, 118, 118.2, 121-126;

The broken lines, the areas outside of the outermost claimed circles on the front face, and the area inside the inner most claimed circle on the bottom of the front face, form no part of the claimed design.

(Continued)

**1 Claim, 7 Drawing Sheets**



**Related U.S. Application Data**

continuation of application No. 29/609,547, filed on Jun. 30, 2017, now Pat. No. Des. 830,872.

(58) **Field of Classification Search**

USPC ... D13/171, 174; D14/204, 209, 209.1, 210, D14/213, 215, 216, 358; D16/200, 202, D16/203, 208, 209, 215, 218, 219  
 CPC ... G08B 3/00; G08B 3/10; G08B 7/00; G08B 7/06; G08B 13/1436; G08B 13/1463; G08B 13/1481

See application file for complete search history.

(56) **References Cited**

U.S. PATENT DOCUMENTS

D483,281 S	12/2003	Cobigo	
D510,584 S	10/2005	Tierney	
D548,749 S	8/2007	Schmidt	
D690,757 S	10/2013	Bart	
D764,958 S	8/2016	Scalisi	
D765,530 S	9/2016	Scalisi	
D767,568 S	* 9/2016	McWilliam	D14/358
D774,492 S	* 12/2016	Jinjin	D14/216
D787,359 S	5/2017	Scalisi	
D789,363 S	6/2017	Jentz	
D789,364 S	6/2017	Jentz	
D789,365 S	6/2017	Jentz	
D789,366 S	6/2017	Jentz	
D789,367 S	6/2017	Jentz	
D793,268 S	8/2017	Ye	
D795,109 S	8/2017	Olodort	
D800,201 S	10/2017	Song	
D805,570 S	12/2017	Shi	

D806,154 S	12/2017	Shi	
D813,700 S	3/2018	Scalisi	
D820,706 S	6/2018	Siminoff et al.	
D828,200 S	9/2018	Ahman et al.	
D828,201 S	9/2018	Jeong	
D830,872 S	10/2018	Jacob et al.	
D835,701 S	* 12/2018	Song	D16/219
D836,147 S	* 12/2018	Rao	D16/203
D839,846 S	* 2/2019	Altonen	D13/171
D848,891 S	5/2019	Paredes	
D850,314 S	6/2019	Laurans et al.	
D850,315 S	6/2019	Laurans et al.	
D853,264 S	7/2019	Laurans et al.	
D853,265 S	7/2019	Grearson et al.	
D860,848 S	9/2019	Park	
D863,404 S	* 10/2019	Karpenko	D16/218
D867,422 S	11/2019	Song	
D871,483 S	12/2019	Chang et al.	
D871,510 S	12/2019	Martisauskas et al.	
D874,536 S	2/2020	Park et al.	
D877,093 S	* 3/2020	Tang	D13/171
D882,532 S	* 4/2020	Altonen	D13/171
D883,834 S	* 5/2020	Jacob	D10/118.2
D892,662 S	* 8/2020	Wang	D10/118.2
D892,904 S	* 8/2020	Dearsley	D16/219
D894,774 S	* 9/2020	Yu	D10/118.2
D894,775 S	* 9/2020	Yu	D10/118.2
2017/0272706 A1	9/2017	Jeong	
2018/0249134 A1	8/2018	Siminoff et al.	

OTHER PUBLICATIONS

Google, Notification of Registration, 004086437, Jul. 13, 2017, 6 pgs.

\* cited by examiner

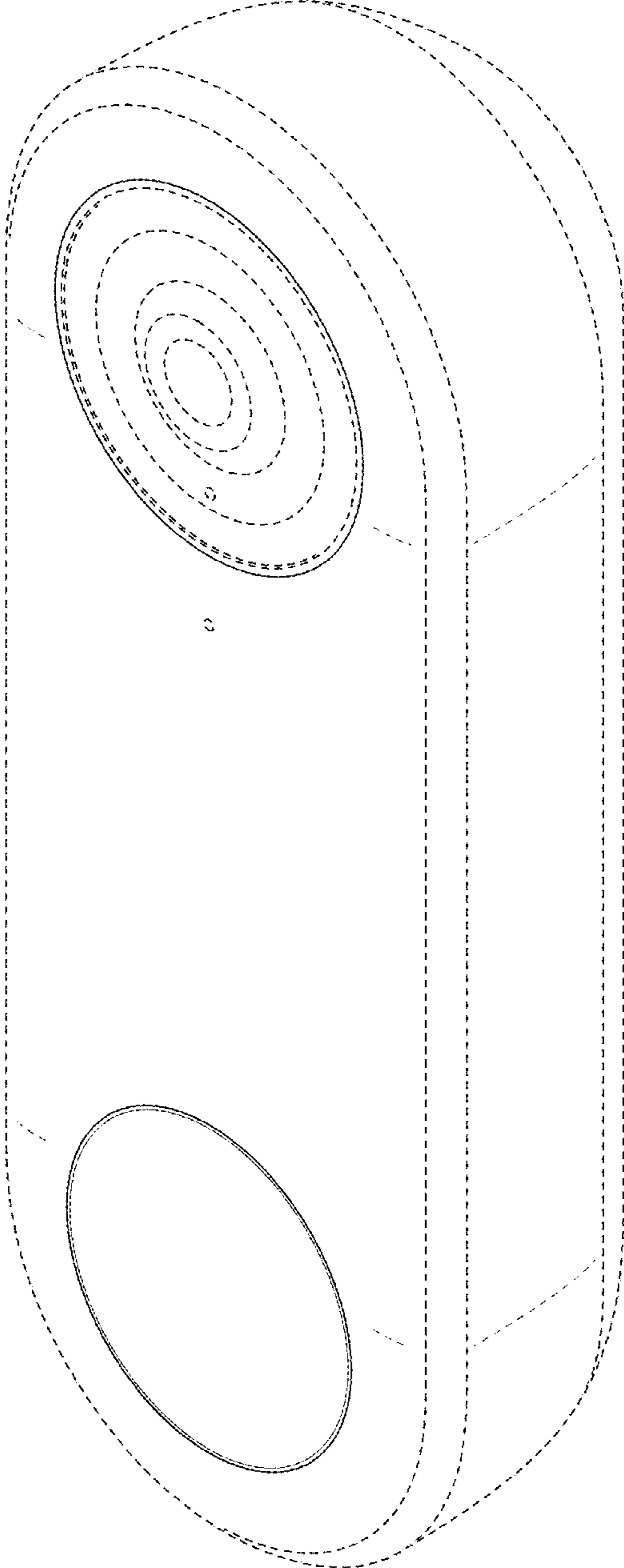


FIG. 1

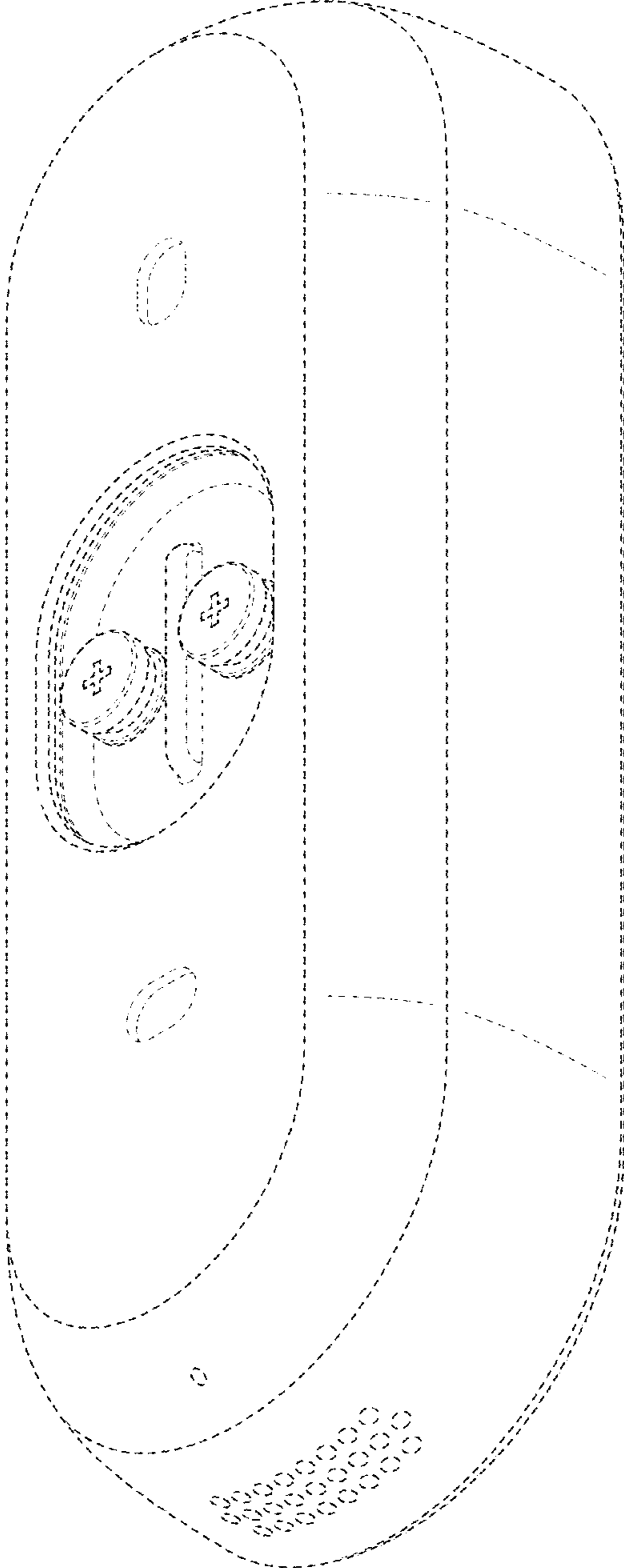


FIG. 2

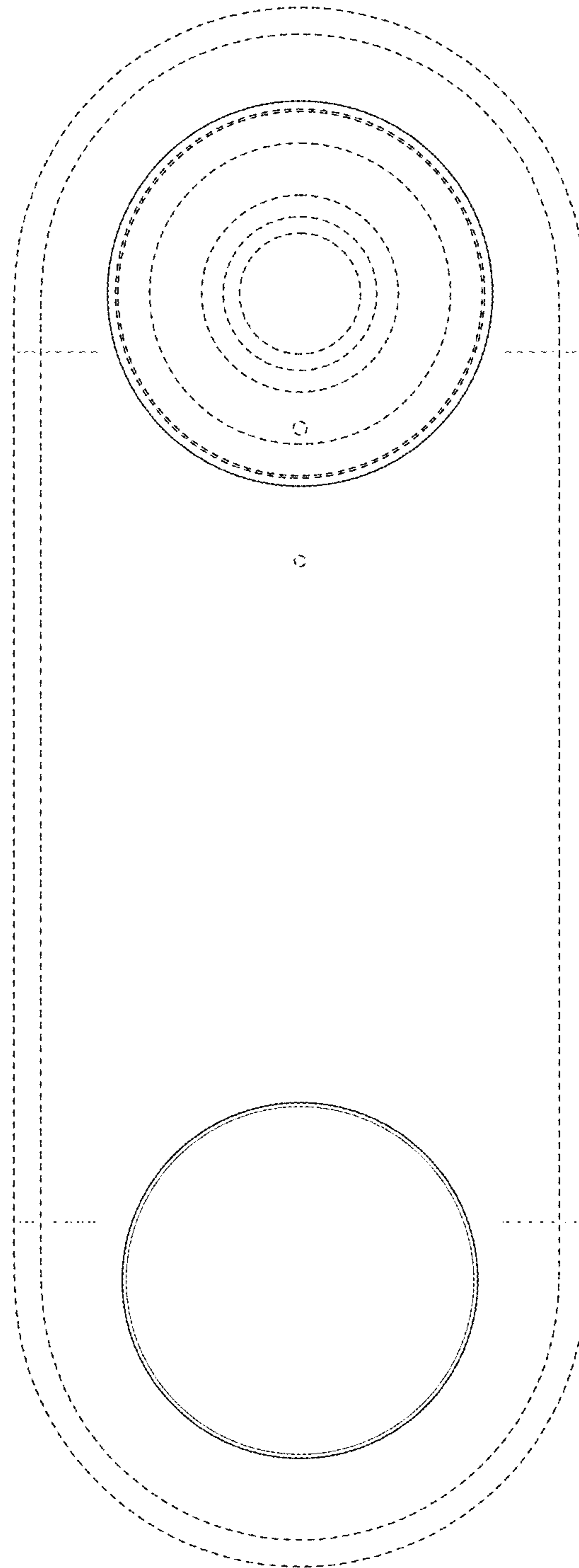


FIG. 3

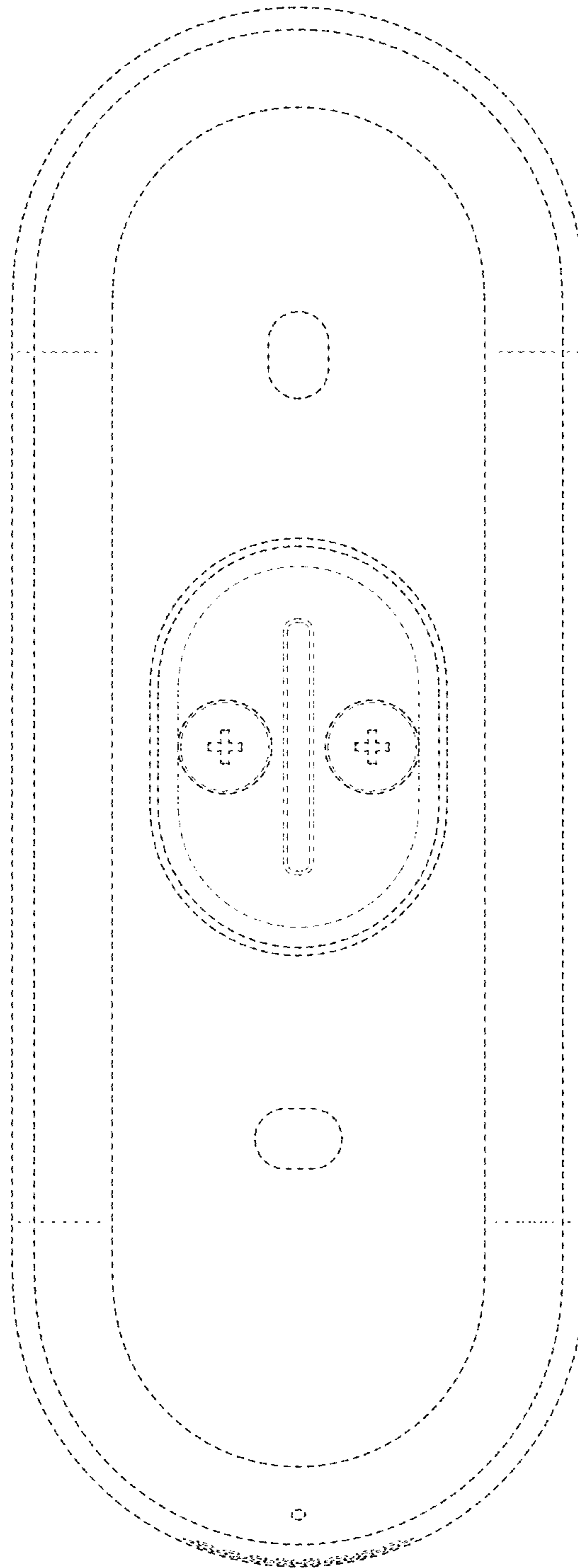


FIG. 4



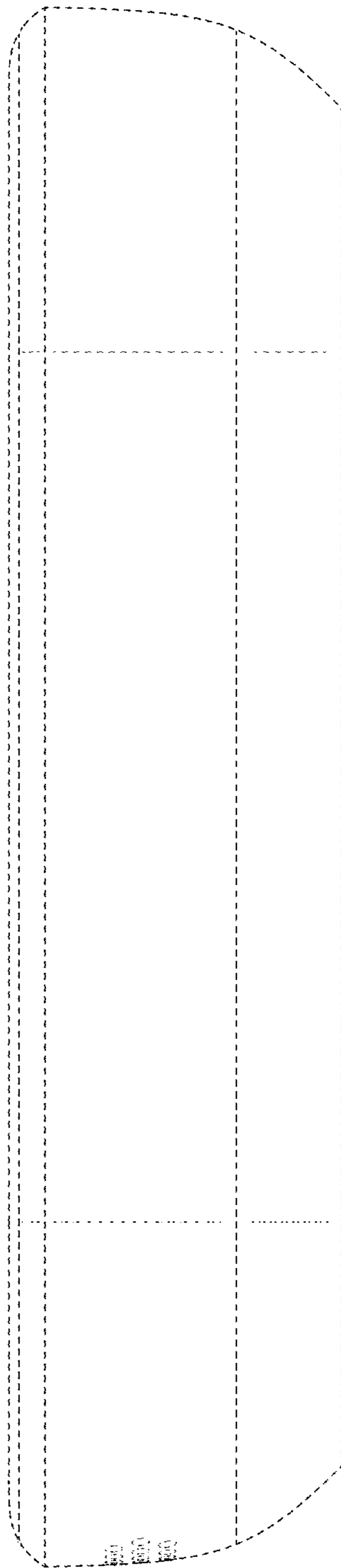


FIG. 5

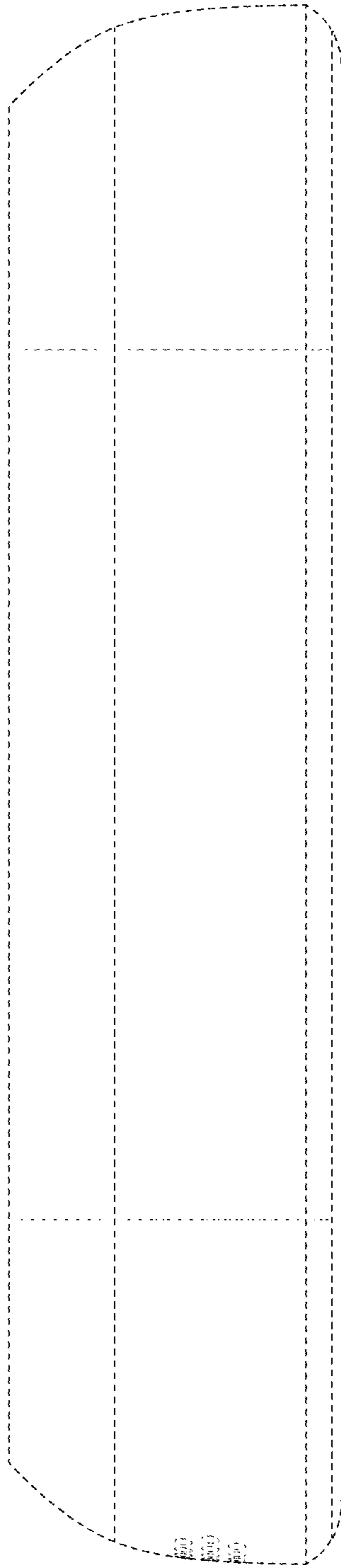


FIG. 6



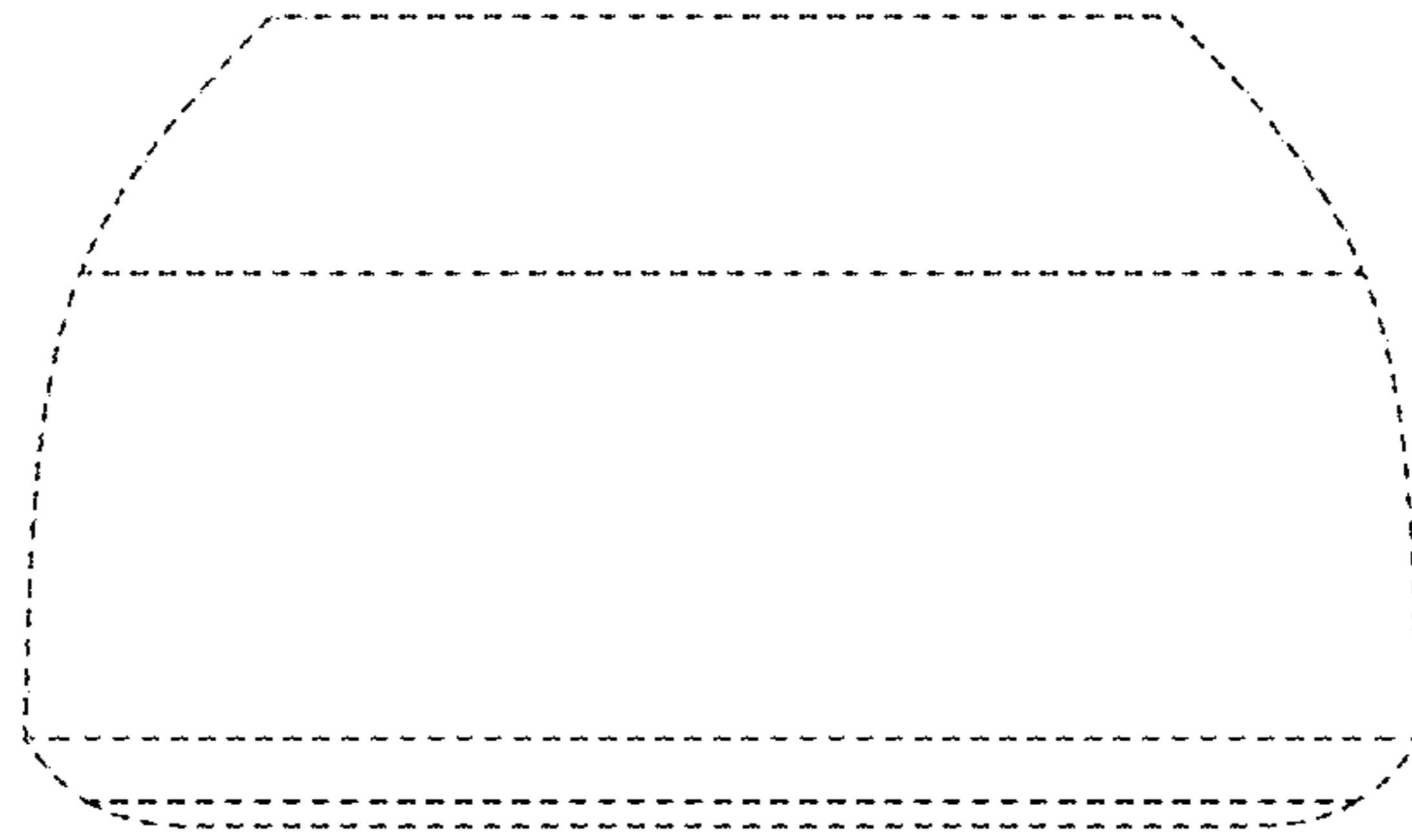


FIG. 7

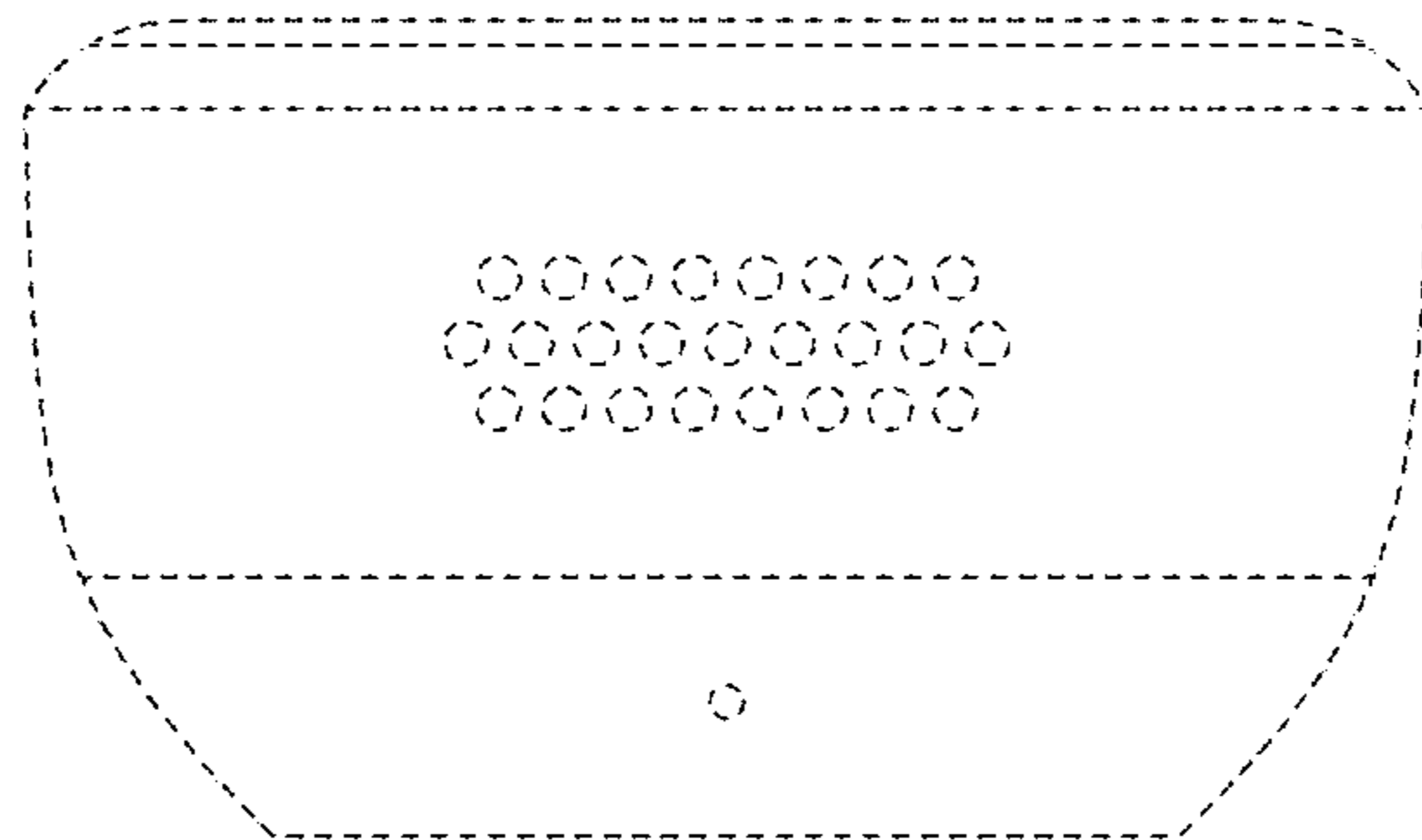


FIG. 8