



US00D906146S

(12) **United States Design Patent**
Goltche

(10) **Patent No.:** **US D906,146 S**

(45) **Date of Patent:** **** Dec. 29, 2020**

(54) **LED LIGHT BAR**

D783,436 S * 4/2017 Goltche D10/114.4
D864,008 S * 10/2019 Goltche D10/114.4

(71) Applicant: **Yehuda Goltche**, Great Neck, NY (US)

* cited by examiner

(72) Inventor: **Yehuda Goltche**, Great Neck, NY (US)

Primary Examiner — George D. Kirschbaum

(**) Term: **15 Years**

(74) *Attorney, Agent, or Firm* — Dunlap Bennett & Ludwig, PLLC

(21) Appl. No.: **29/702,340**

(57) **CLAIM**

(22) Filed: **Aug. 19, 2019**

The ornamental design for a LED light bar, as shown and described.

(51) **LOC (12) Cl.** **10-05**

DESCRIPTION

(52) **U.S. Cl.**

USPC **D10/114.4**

(58) **Field of Classification Search**

USPC D10/114.4

See application file for complete search history.

(56) **References Cited**

U.S. PATENT DOCUMENTS

D595,173 S *	6/2009	Shin	D10/114.4
D632,199 S *	2/2011	Jacobs	D10/114.4
D658,526 S *	5/2012	Shin	D10/114.4
D682,135 S *	5/2013	Grote, Jr.	D10/114.4
D700,098 S *	2/2014	Deyaf	D10/114.4
D751,444 S *	3/2016	Goltche	D10/114.4
D782,933 S *	4/2017	Goltche	D10/114.4

FIG. 1 is a perspective view of a LED light bar, showing my new design;

FIG. 2 is a top plan view thereof;

FIG. 3 is a bottom plan view thereof;

FIG. 4 is a front elevation view thereof;

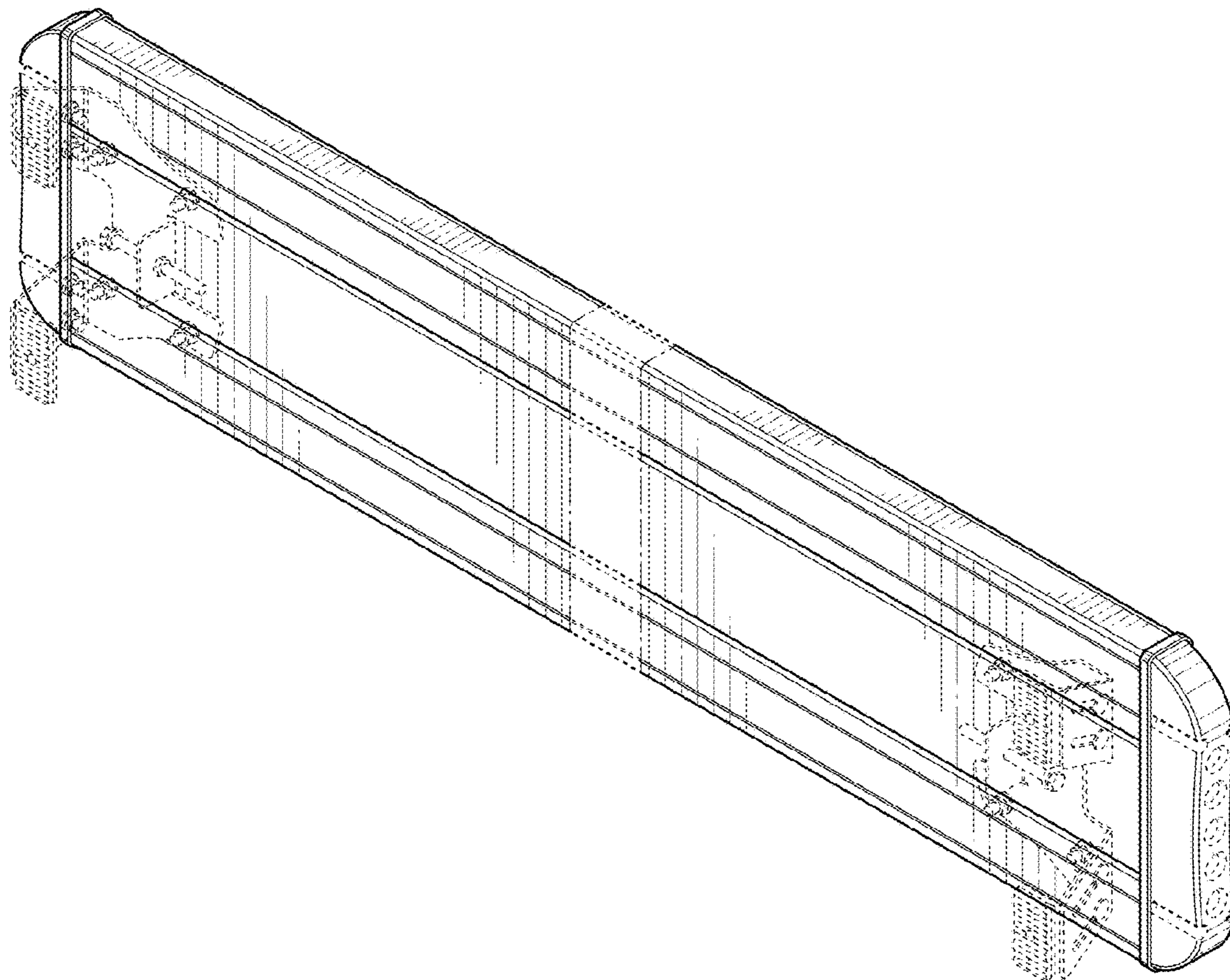
FIG. 5 is a rear elevation view thereof;

FIG. 6 is a left elevation view thereof; and,

FIG. 7 is a right elevation view thereof.

The evenly-sized dash-dash broken lines shown in the drawings depict portions of the LED light bar that form no part of the claimed design, while the unevenly-sized dash-dot-dash broken lines represent the bounds of the claimed invention but form no part thereof.

1 Claim, 4 Drawing Sheets



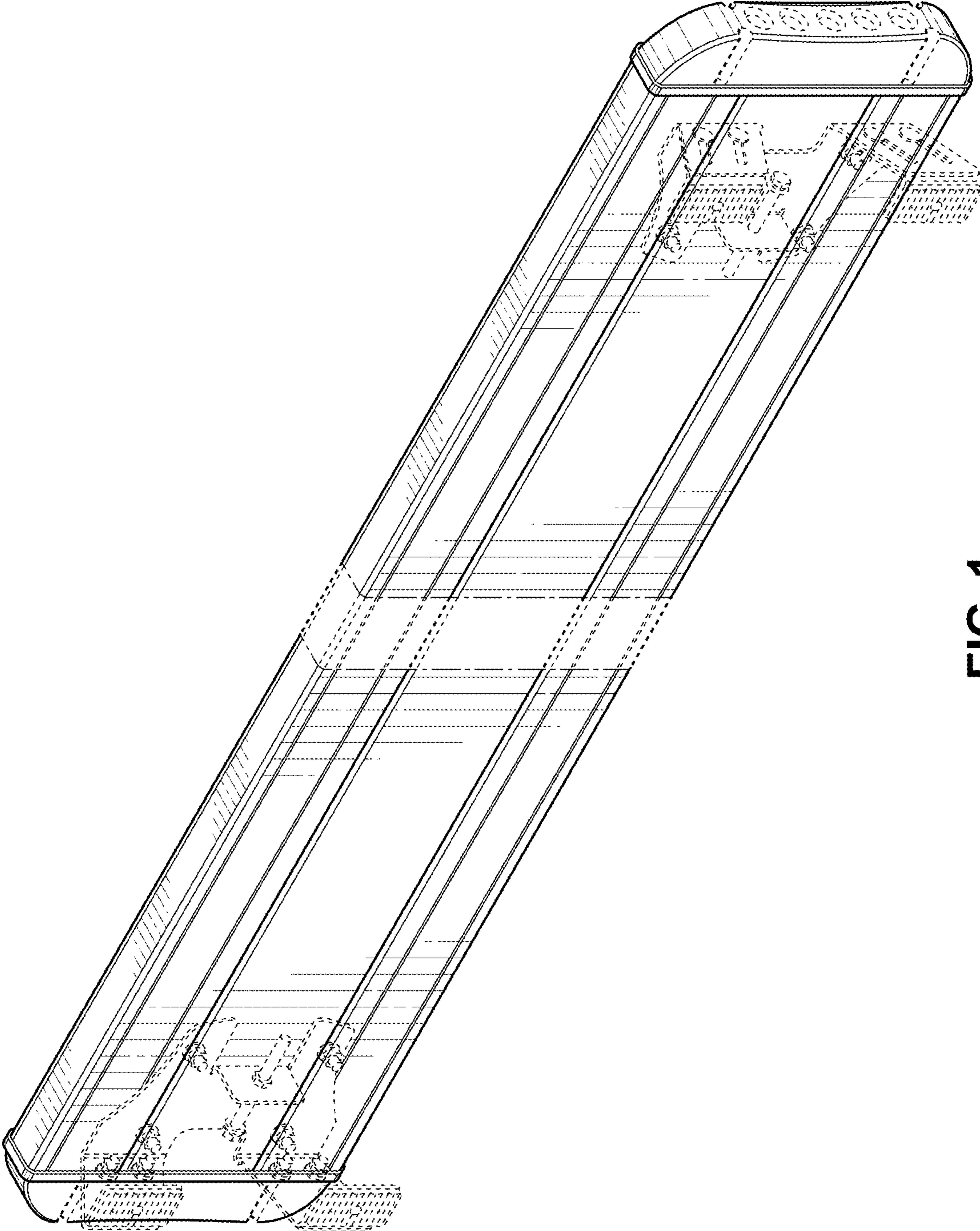


FIG. 1

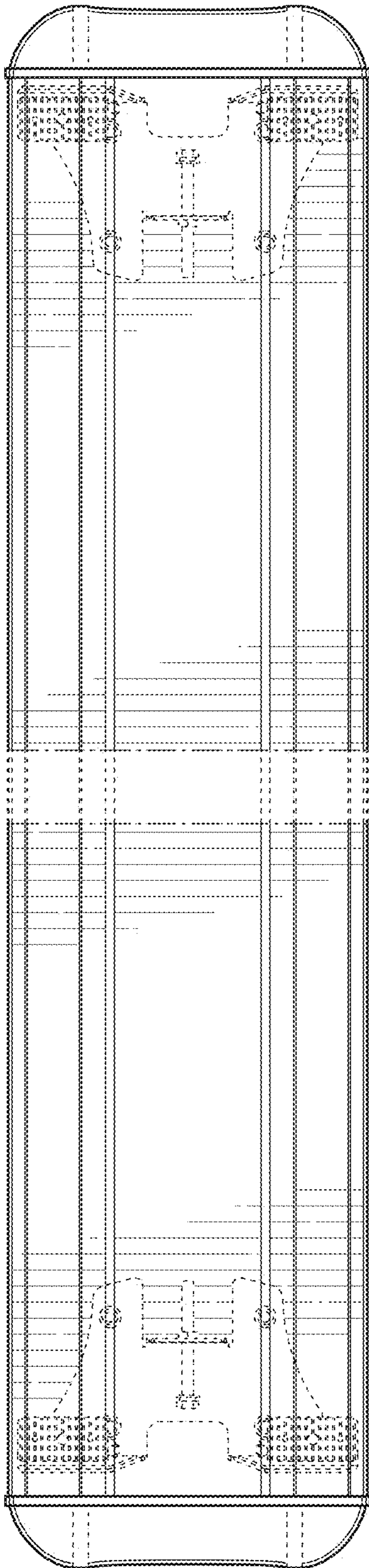


FIG. 2

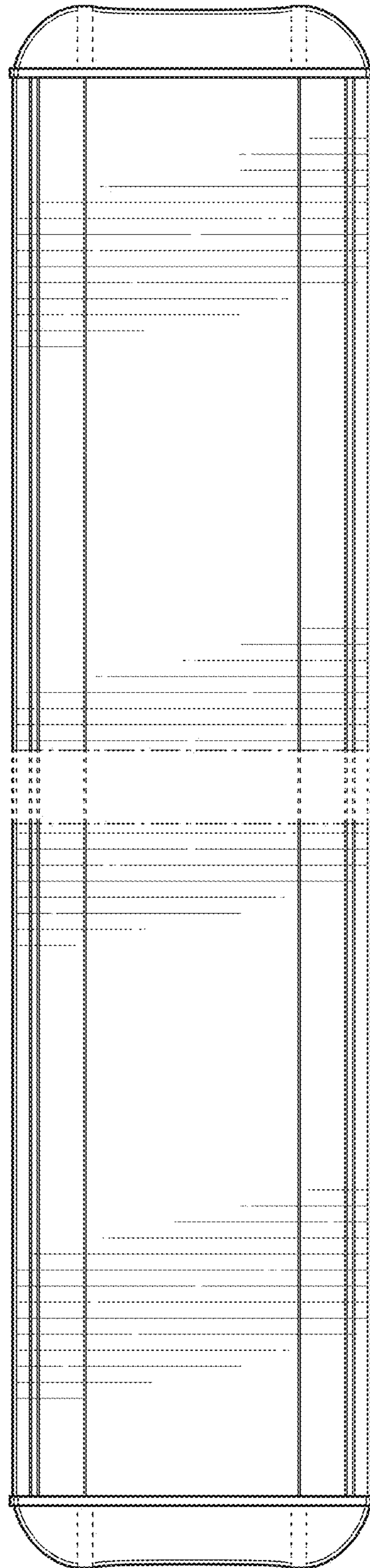


FIG. 3

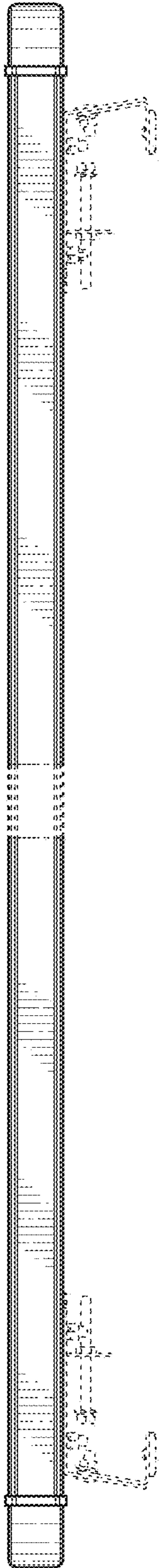


FIG. 4

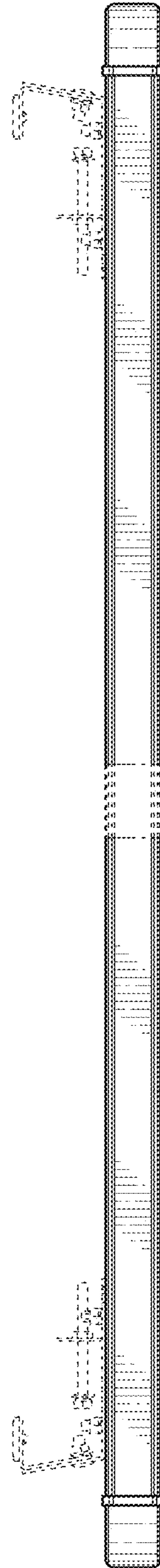


FIG. 5

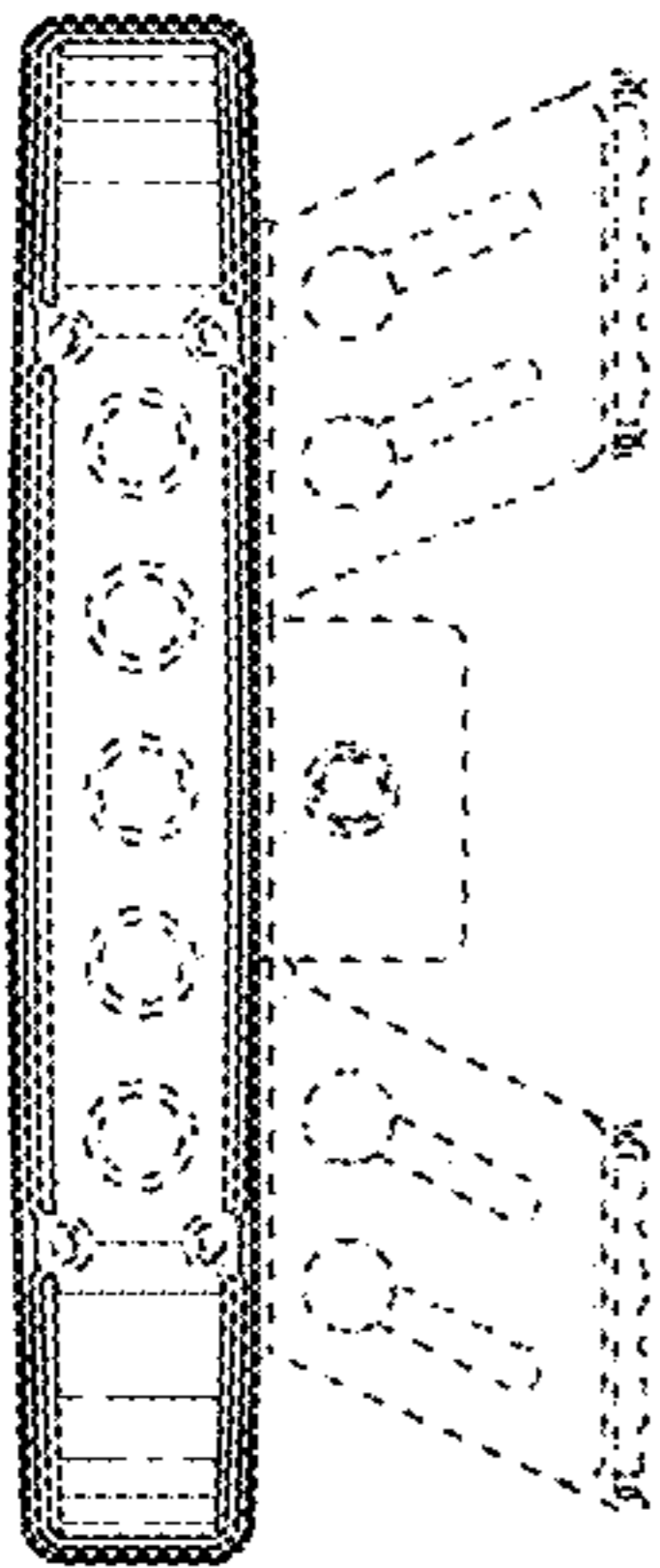


FIG. 6

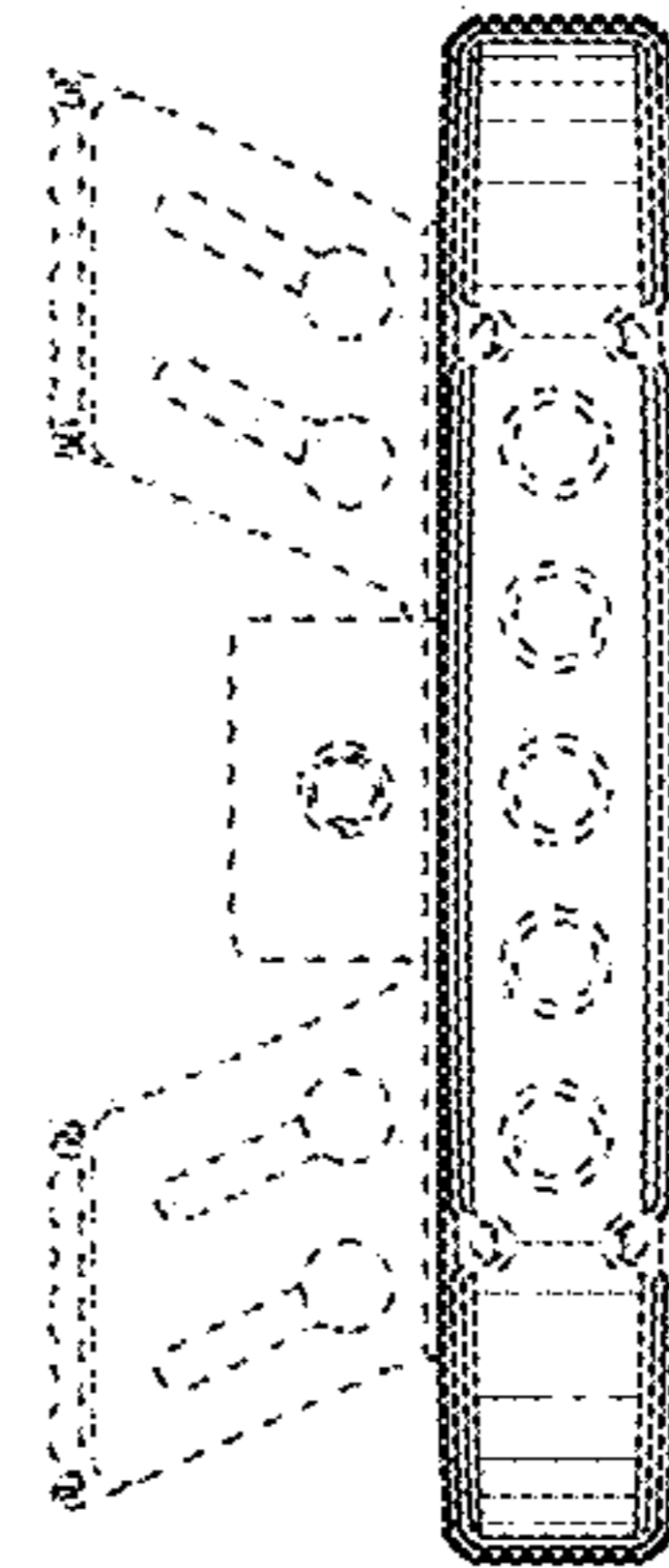


FIG. 7