



US00D906144S

(12) **United States Design Patent** (10) **Patent No.:** **US D906,144 S**
Angus et al. (45) **Date of Patent:** **** Dec. 29, 2020**

(54) **FLOW MONITOR** 7,143,645 B2 * 12/2006 Benson G01F 3/12
73/238
(71) Applicant: **Watts Regulator Co.**, North Andover, 7,343,795 B2 3/2008 Winter
MA (US) 7,493,811 B2 * 2/2009 Koch G01F 3/08
73/239
(72) Inventors: **Michael T. Angus**, Derry, PA (US); D630,536 S * 1/2011 Pettit G01F 3/12
Kevin Fisk, Vernon (CA); **Richard D10/96**
Huber, Harmony, PA (US); **R. Craig**
Campbell, Cranberry Township, PA
(US); **George Davis**, Pittsburgh, PA
(US); **Matthew Meurer**, Pittsburgh, PA
(US); **Robert Parks**, Pittsburgh, PA
(US)
8,264,360 B2 9/2012 Struyk
8,264,361 B2 9/2012 Struyk
8,863,734 B2 10/2014 Shaffer
(Continued)

(73) Assignee: **Watts Regulator Co.**, North Andover, MA (US)

(**) Term: **15 Years**

(21) Appl. No.: **29/675,362**

(22) Filed: **Dec. 31, 2018**

(51) **LOC (12) Cl.** **10-05**

(52) **U.S. Cl.**
USPC **D10/96**

(58) **Field of Classification Search**
USPC D10/96
CPC G01F 1/40; G01F 1/42; G01F 1/44; G01F
1/46; G01F 1/74; G01F 11/003; G01F
11/006; G01F 3/00; G01F 3/02; G01F
3/04; G01F 3/06; G01F 3/065; G01F
3/08; G01F 3/10; G01F 3/12; G01N
21/03; G01N 21/05; G01N 2021/0378;
G01N 2021/0382; G01N 2021/052; G01N
2021/054; G01N 2021/056; G01N
2021/058

See application file for complete search history.

(56) **References Cited**

U.S. PATENT DOCUMENTS

5,251,480 A * 10/1993 Brunson, IV G01F 3/12
73/253

6,684,757 B2 2/2004 Peterson

Flexible Axis Meter Fam Datasheet, 2 pages.
Tactical Flow Meter; 1" Tactical Flow Meter Datasheet, 2 pages.

Primary Examiner — Antoine Duval Davis

(74) *Attorney, Agent, or Firm* — Burns & Levinson, LLP;
George N. Chaclas

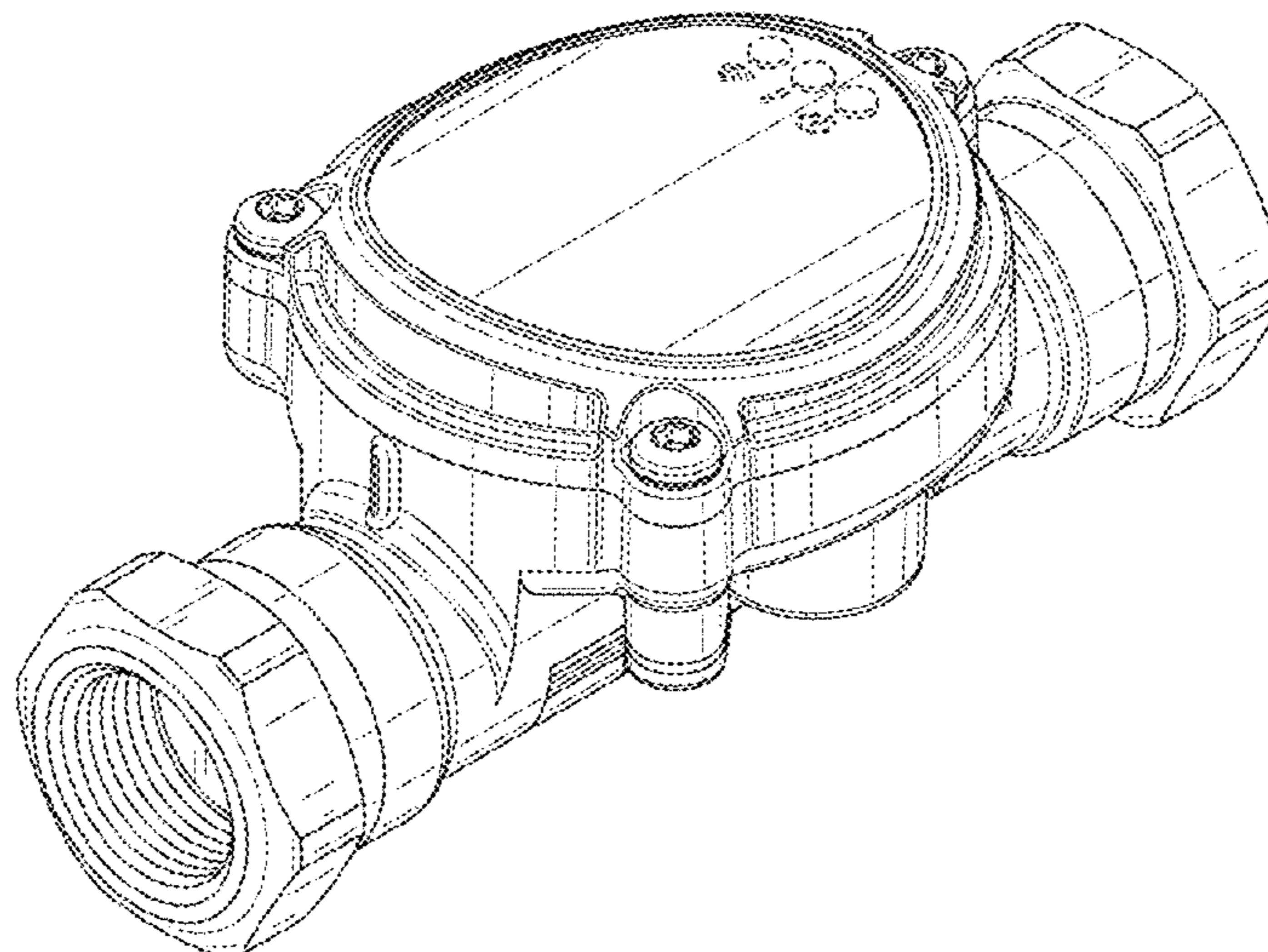
(57) **CLAIM**

The ornamental design for a flow monitor, as shown and described.

DESCRIPTION

FIG. 1 is a top perspective view of a flow monitor.
FIG. 2 is a first side view of the first embodiment of the flow monitor.
FIG. 3 is another side view of the first embodiment of the flow monitor.
FIG. 4 is a front view of the first embodiment of the flow monitor.
FIG. 5 is a back view of the first embodiment of the flow monitor.
FIG. 6 is top view of the first embodiment of the flow monitor; and,
FIG. 7 is a bottom view of the first embodiment of the flow monitor.
The dotted lines in FIGS. 1-6 show a portion of the flow monitor that forms no part of the claimed design.

1 Claim, 7 Drawing Sheets



(56)

References Cited

U.S. PATENT DOCUMENTS

| | | | |
|--------------|----|--------|------------------|
| 9,035,781 | B2 | 5/2015 | Struyk |
| 9,322,694 | B2 | 4/2016 | Seehoffer et al. |
| 9,638,559 | B1 | 5/2017 | Zummo et al. |
| 2005/0007260 | A1 | 1/2005 | Winter et al. |
| 2019/0212180 | A1 | 7/2019 | Stetsenko et al. |

* cited by examiner

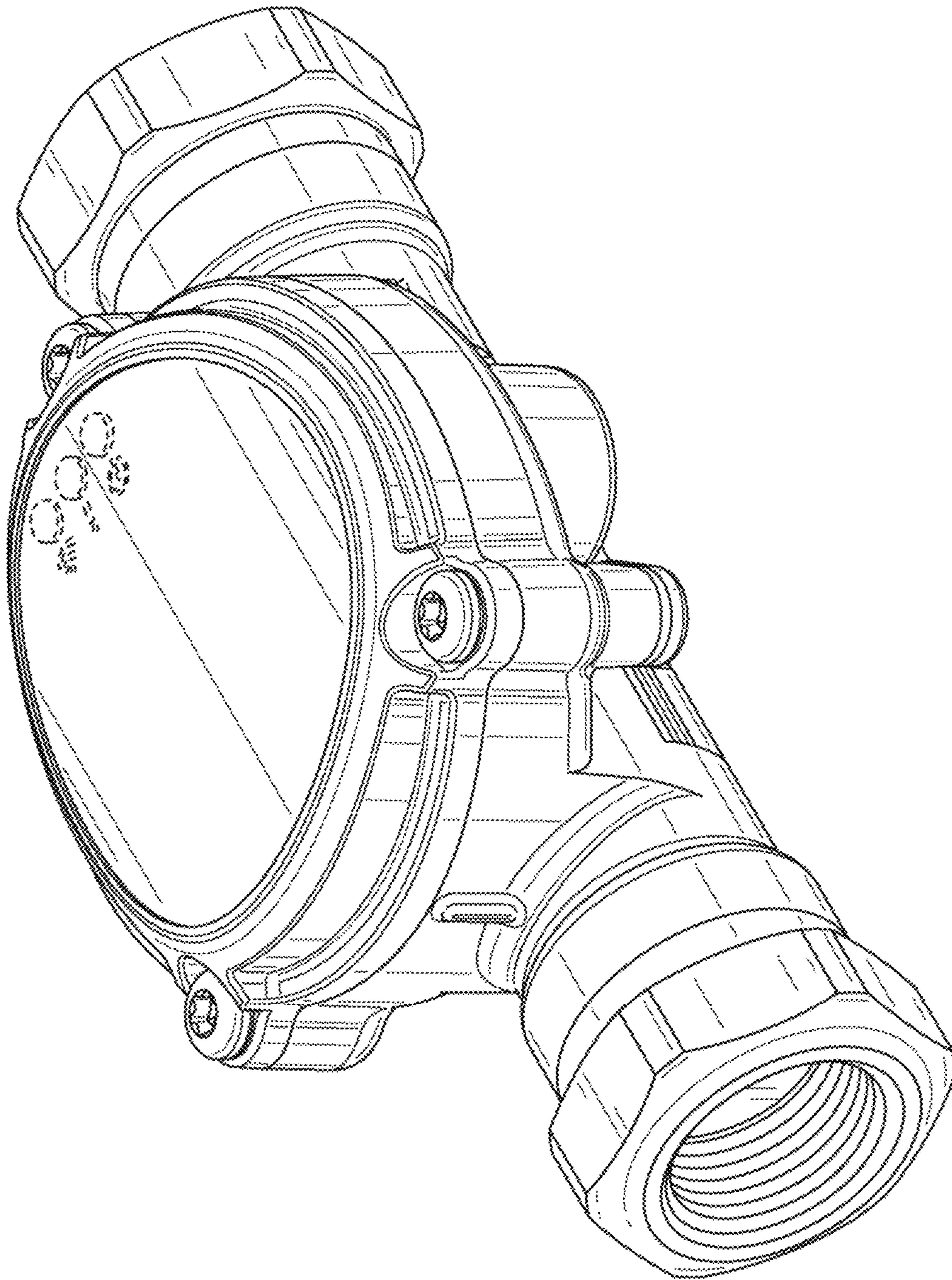


FIG. 1

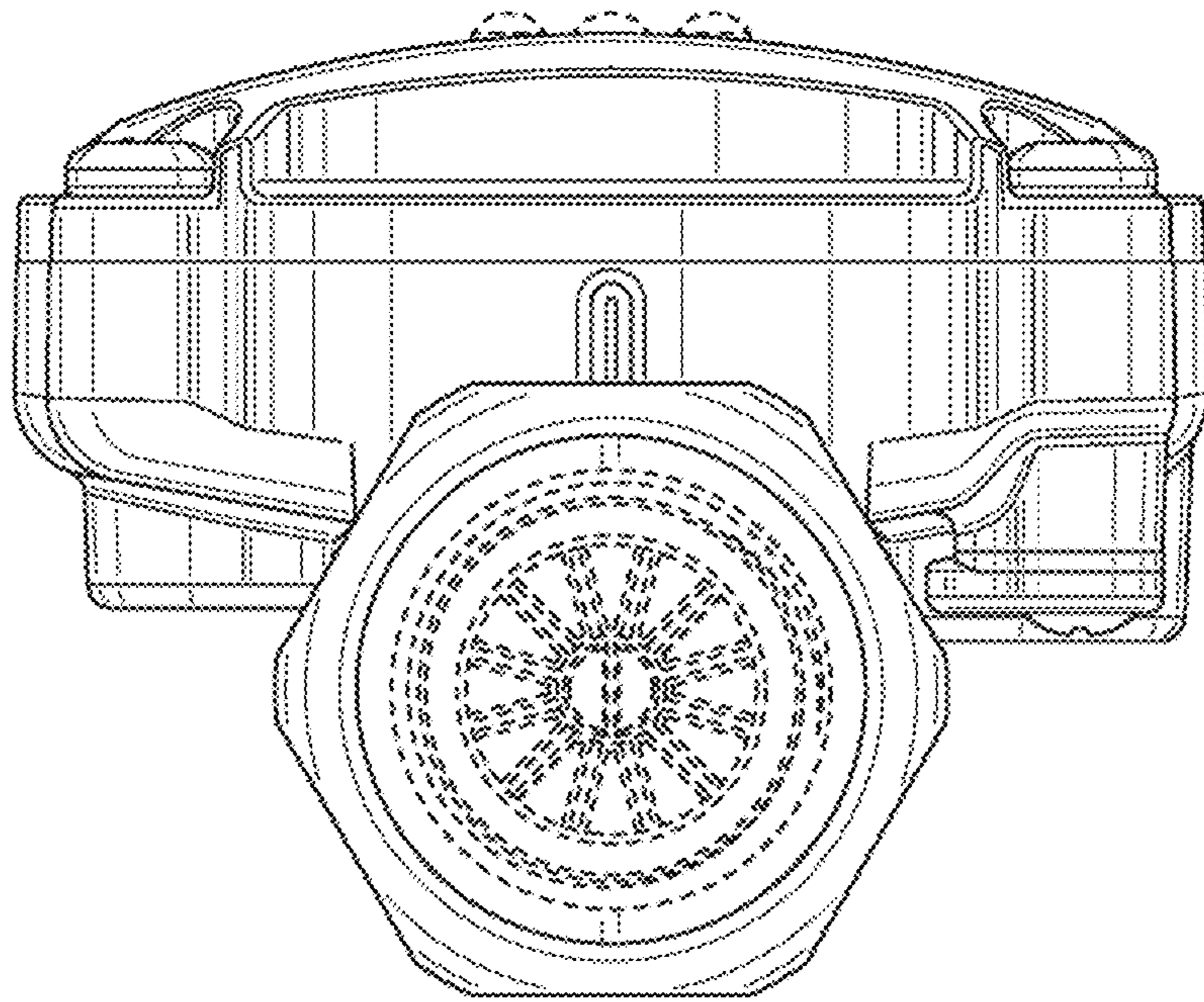


FIG. 2

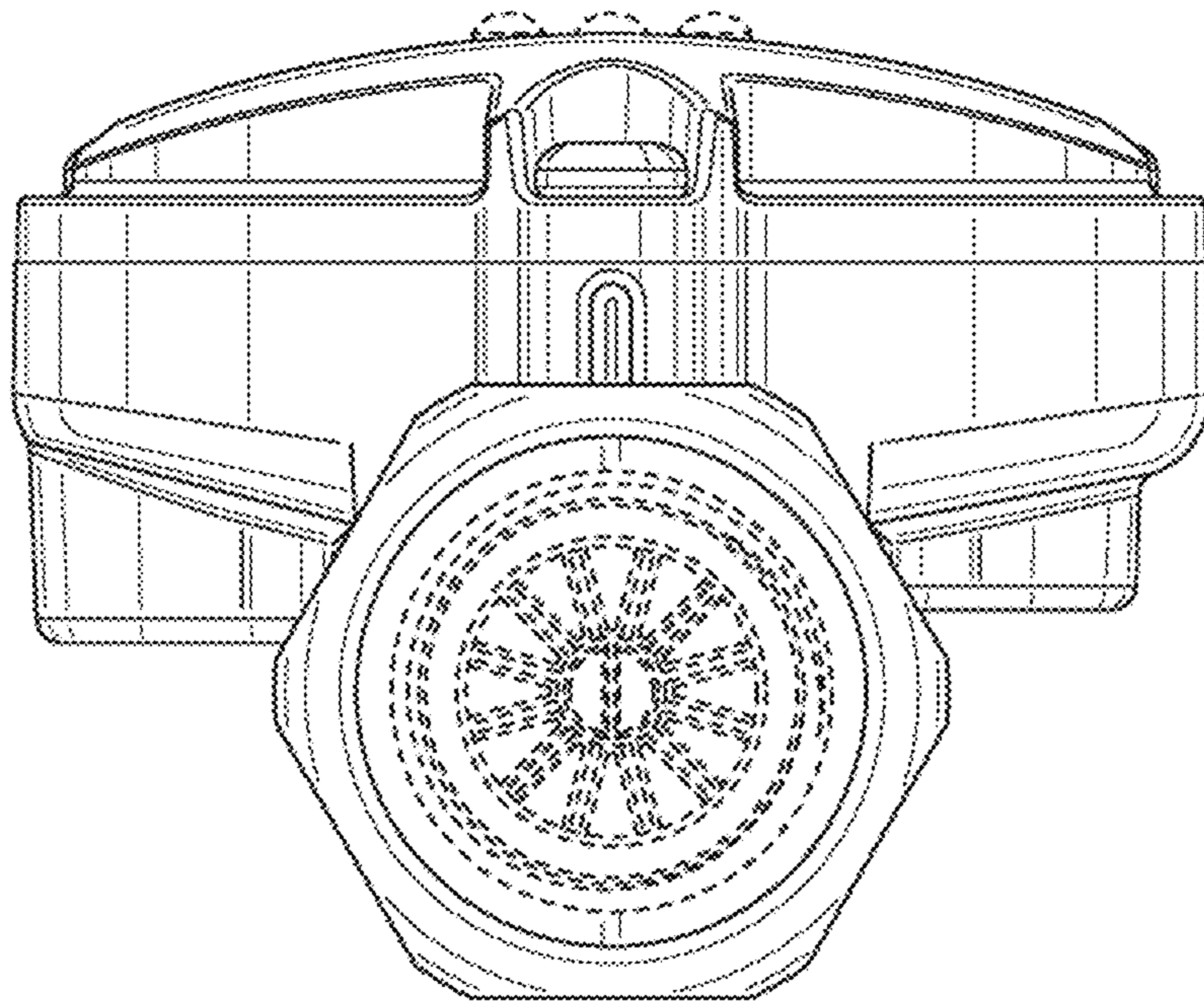


FIG. 3

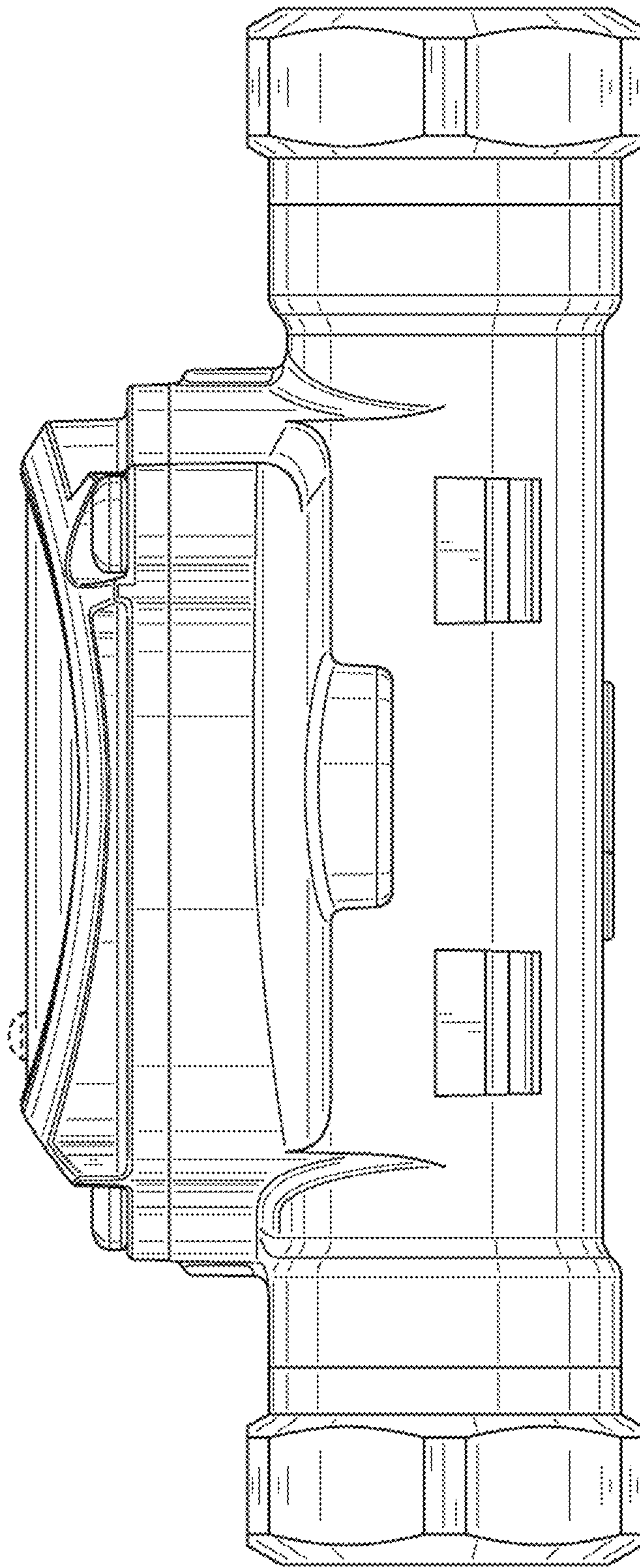


FIG. 4

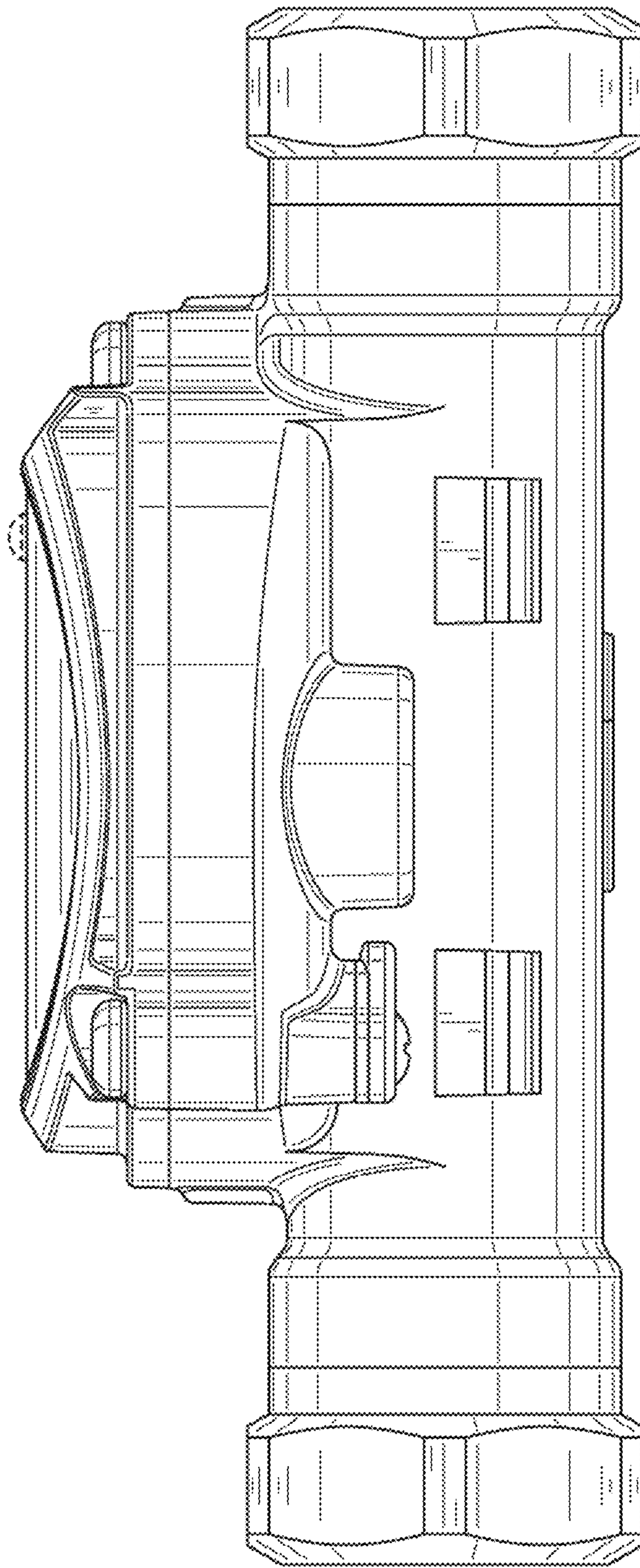


FIG. 5

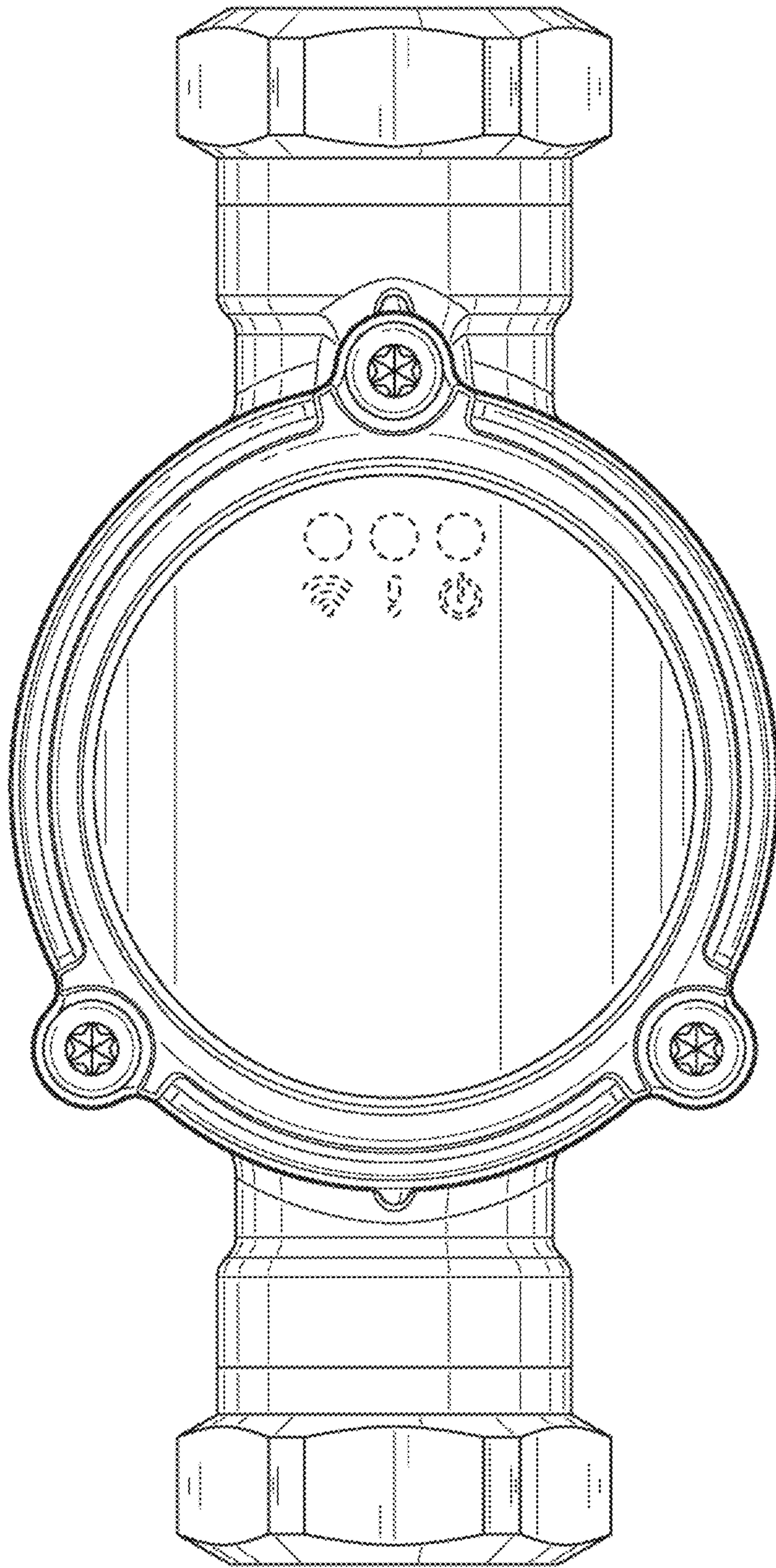


FIG. 6

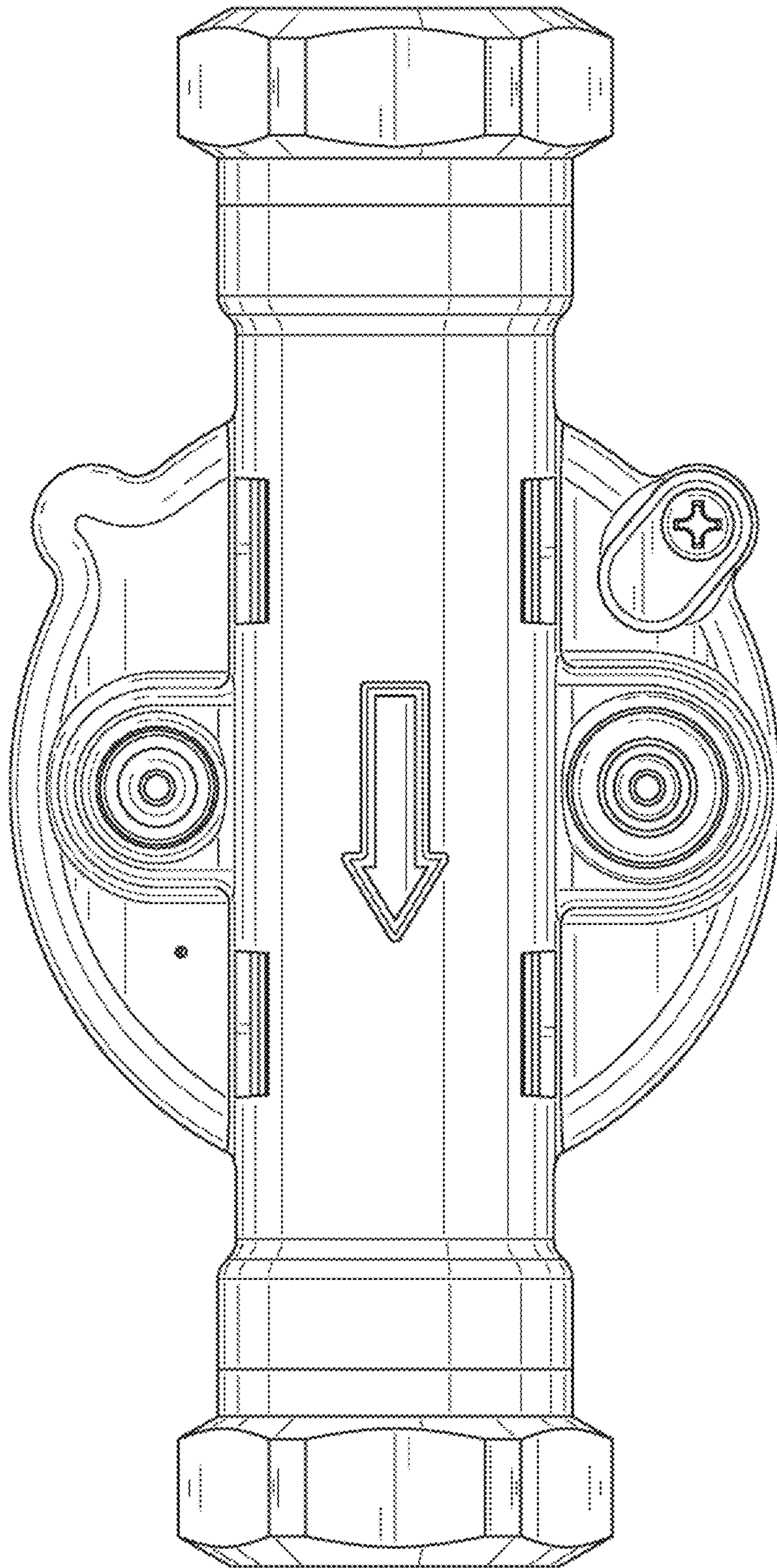


FIG. 7