



US00D906143S

(12) **United States Design Patent** (10) **Patent No.:** **US D906,143 S**
Amamiya et al. (45) **Date of Patent:** **** Dec. 29, 2020**

(54) **SALINOMETER, SACCHARIMETER AND PH METER**

G01N 31/22; G01N 31/221; G01N 21/78;
G01N 27/06; G01N 27/07; G01N 9/12;
G01N 27/7703; G01N 2021/7773; G01N
2021/7796; G01N 2021/80

(71) Applicant: **ATAGO CO., LTD.**, Tokyo (JP)

See application file for complete search history.

(72) Inventors: **Hideyuki Amamiya**, Tokyo (JP); **Keiji Kawada**, Tokyo (JP)

(56) **References Cited**

(73) Assignee: **ATAGO CO., LTD.**, Tokyo (JP)

U.S. PATENT DOCUMENTS

(**) Term: **15 Years**

D439,498 S *	3/2001	Hennig	D24/140
D522,145 S *	5/2006	Best	D10/81
D601,444 S *	10/2009	Jones	D10/103
D730,217 S *	5/2015	Yokino	D10/81
D783,838 S *	4/2017	Zhao	D24/186
D800,587 S *	10/2017	Cho	D10/74
D833,023 S *	11/2018	Maletic	D24/186

(21) Appl. No.: **29/677,463**

(22) Filed: **Jan. 21, 2019**

* cited by examiner

(30) **Foreign Application Priority Data**

Jul. 27, 2018	(JP)	2018-016542
Jul. 27, 2018	(JP)	2018-016543
Jul. 27, 2018	(JP)	2018-016544

Primary Examiner — Antoine Duval Davis
(74) *Attorney, Agent, or Firm* — Nath, Goldberg & Meyer; Jerald L. Meyer

(51) **LOC (12) Cl.** **10-04**

(52) **U.S. Cl.**
USPC **D10/81; D24/140**

(57) **CLAIM**

(58) **Field of Classification Search**

USPC D10/81; D24/133, 140, 186
CPC G01D 11/24; G01D 11/245; G01D 11/26;
G01D 11/28; A61B 2560/04; A61B
2560/0406; A61B 2560/0412; A61B
2560/0418; A61B 2560/0425; A61B
2560/0431; A61B 2560/0437; A61B
2560/0443; A61B 2560/045; A61B
2560/0456; A61B 2560/0462; A61B
2560/0468; A61B 2560/0475; A61B
2560/0481; A61B 2560/0487; A61B
2560/0493; A61B 5/145; A61B 5/14539;
G01N 33/4875; G01N 33/48785; G01N
33/48792; G01N 2201/022; G01N
2201/0221; G01N 2201/0222; G01N
2201/0224; G01N 2201/0225; G01N
2201/0227; G01N 2201/0228; G01N
27/4166; G01N 27/4167; G01N 21/80;

The ornamental design for a salinometer, saccharimeter and pH meter, as shown and described.

DESCRIPTION

FIG. 1 is a perspective view of salinometer, saccharimeter, and pH meter,
FIG. 2 is a front elevational view thereof,
FIG. 3 is a rear elevational view thereof,
FIG. 4 is a left side elevational view thereof,
FIG. 5 is a right side elevational view thereof,
FIG. 6 is a top plan view thereof; and,
FIG. 7 is a bottom plan view thereof.
The broken lines in the drawings are for the purpose of illustrating portions of the salinometer, saccharimeter and pH meter that form no part of the claimed design.

1 Claim, 4 Drawing Sheets

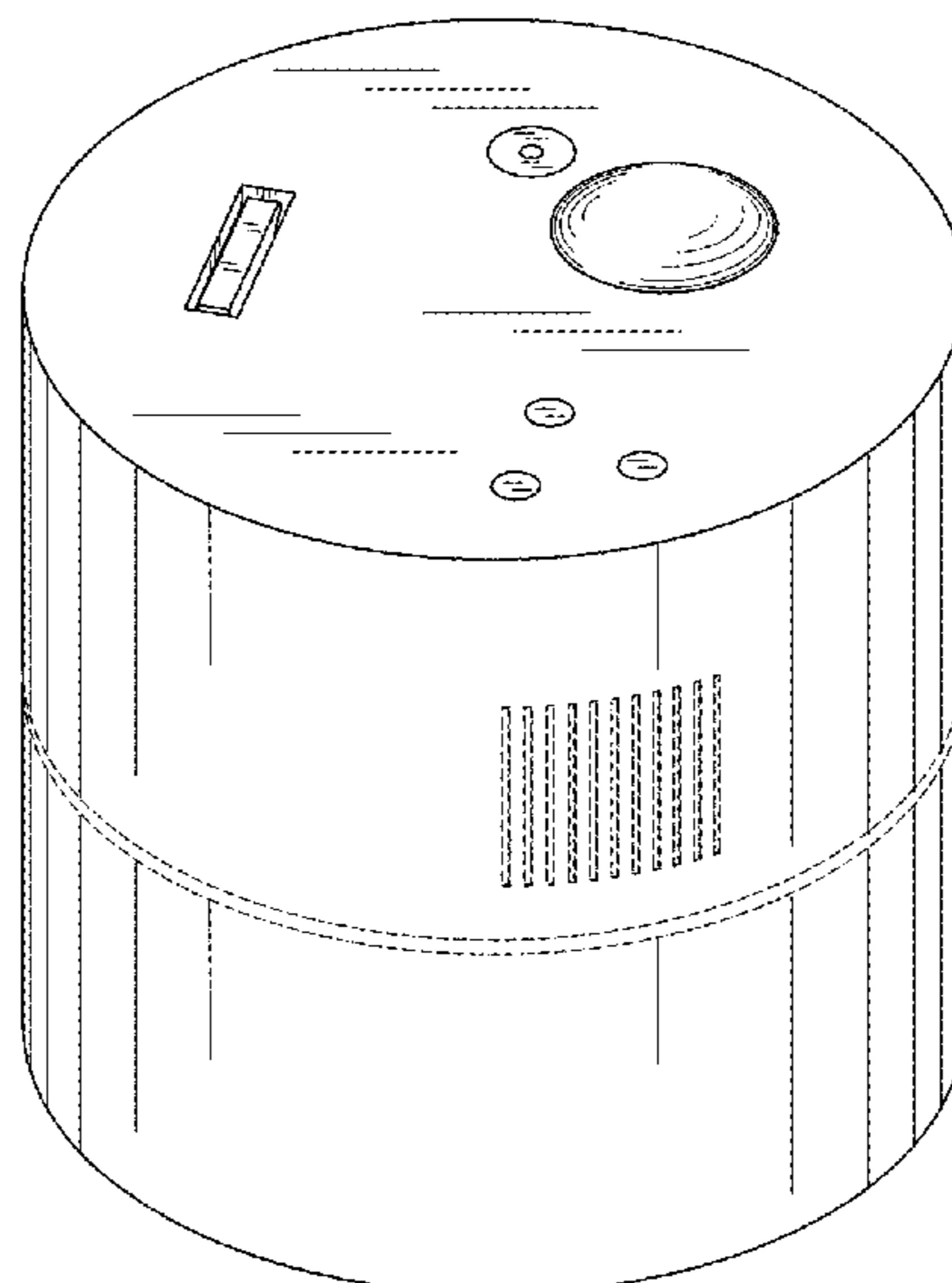


FIG. 1

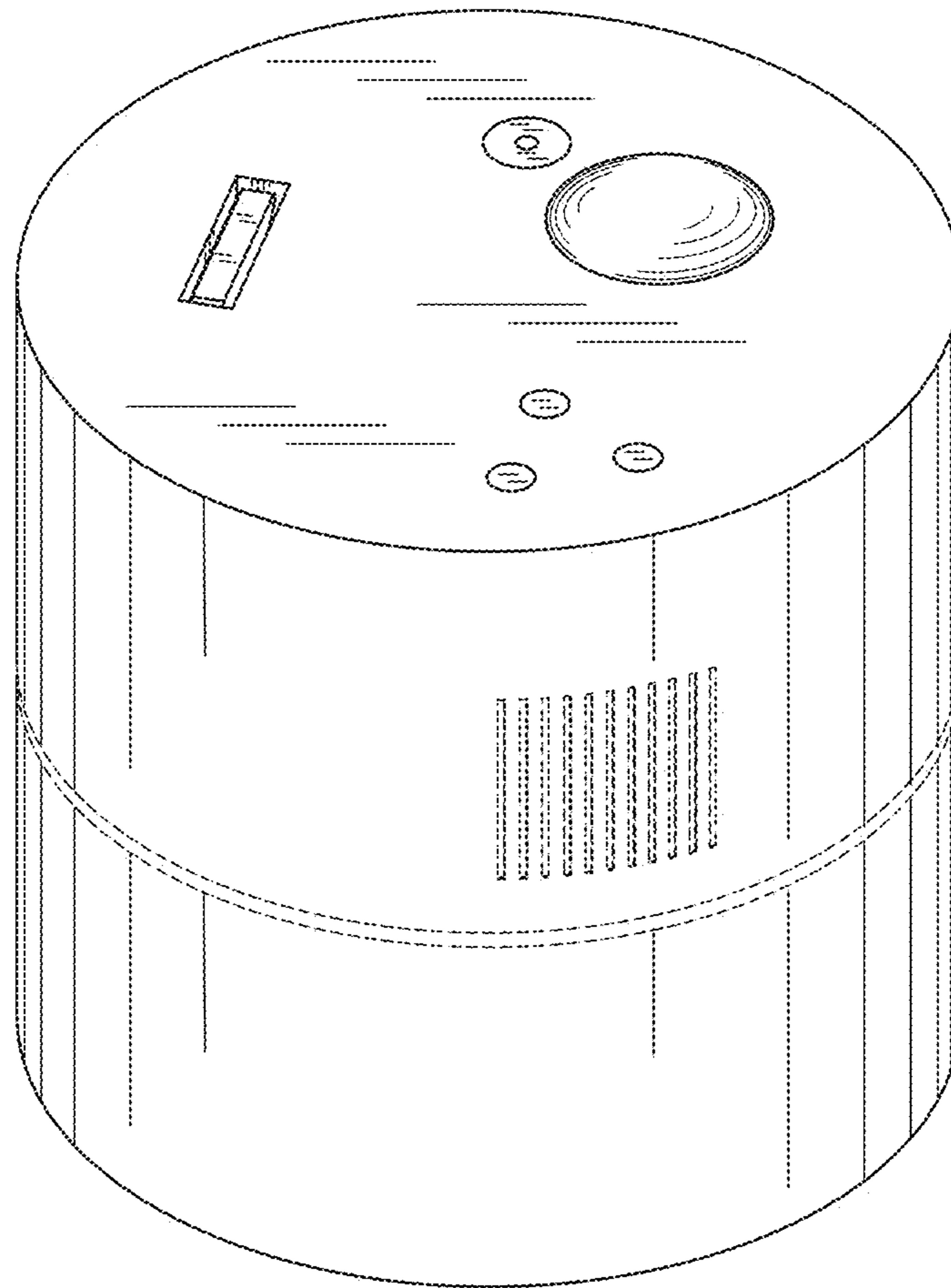


FIG.2

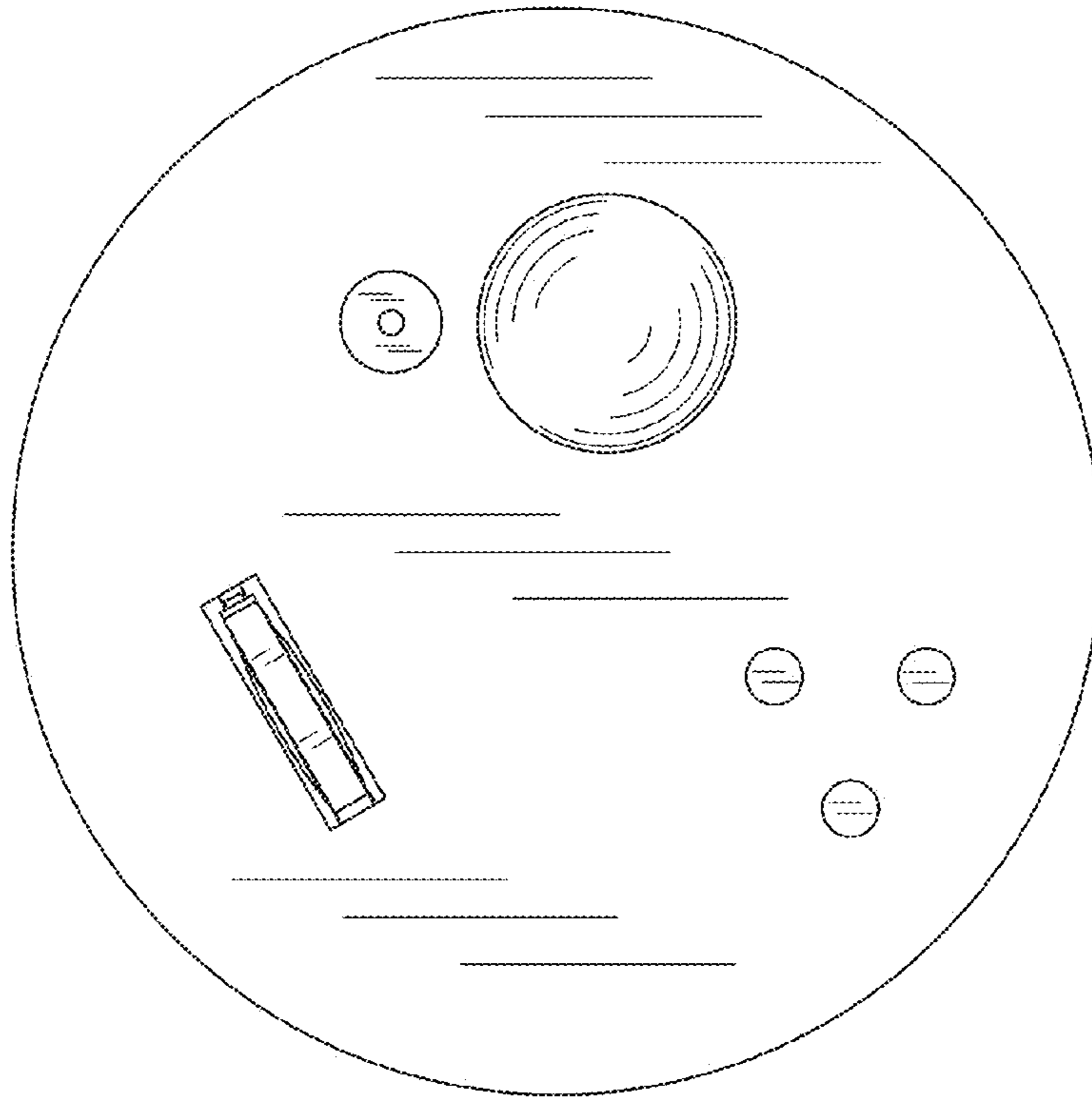


FIG.3

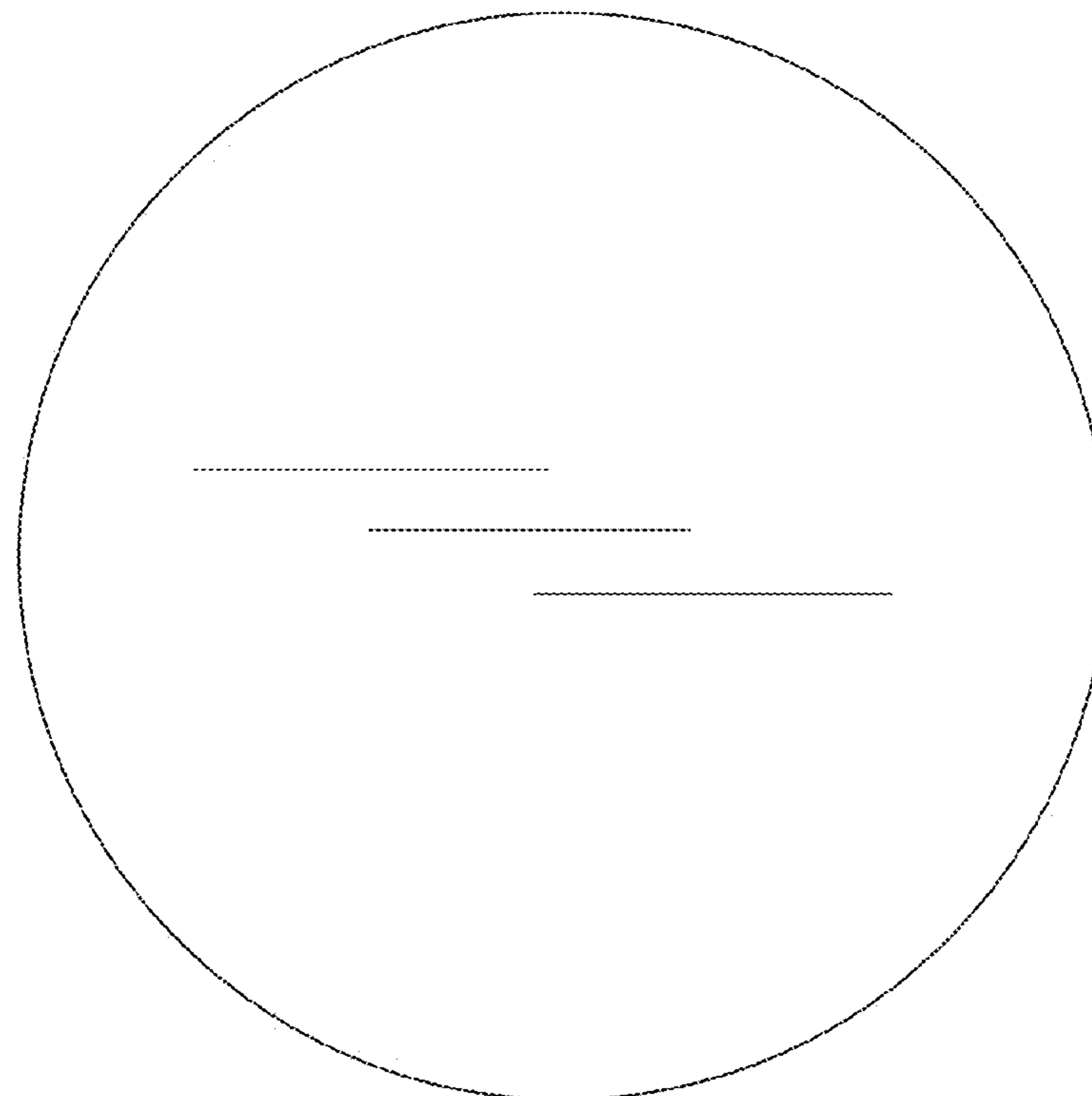


FIG.4

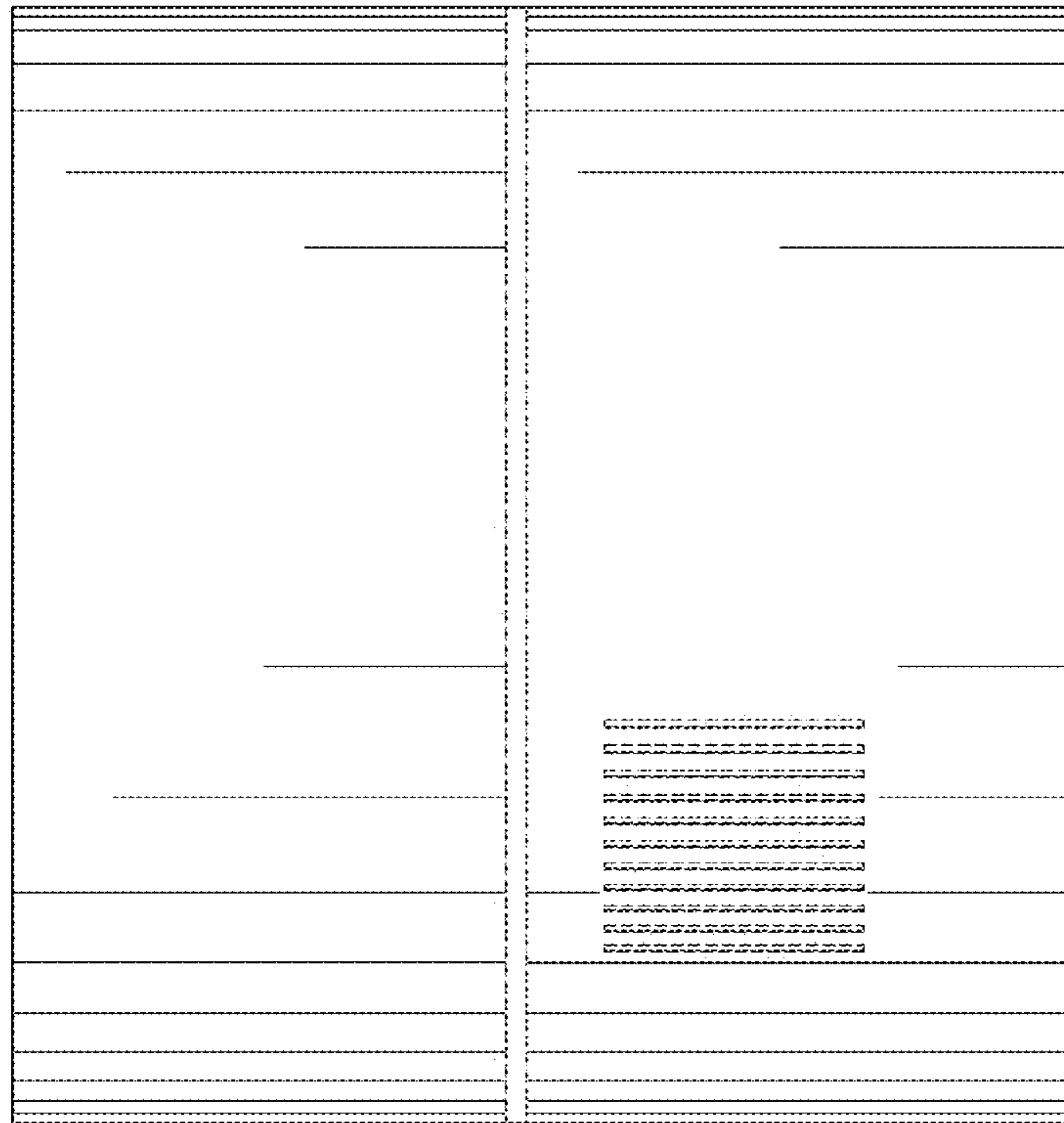


FIG.5

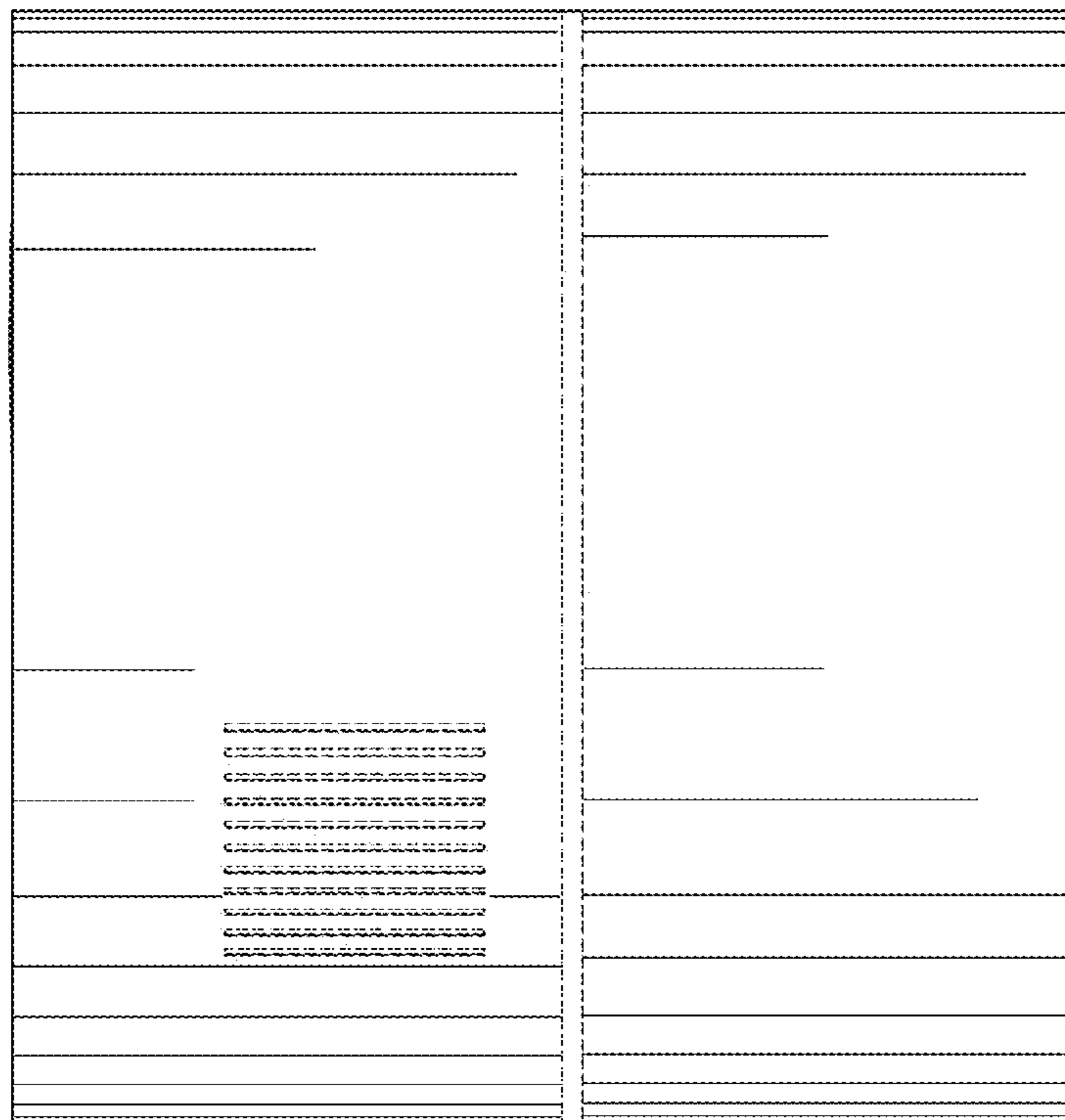


FIG.6

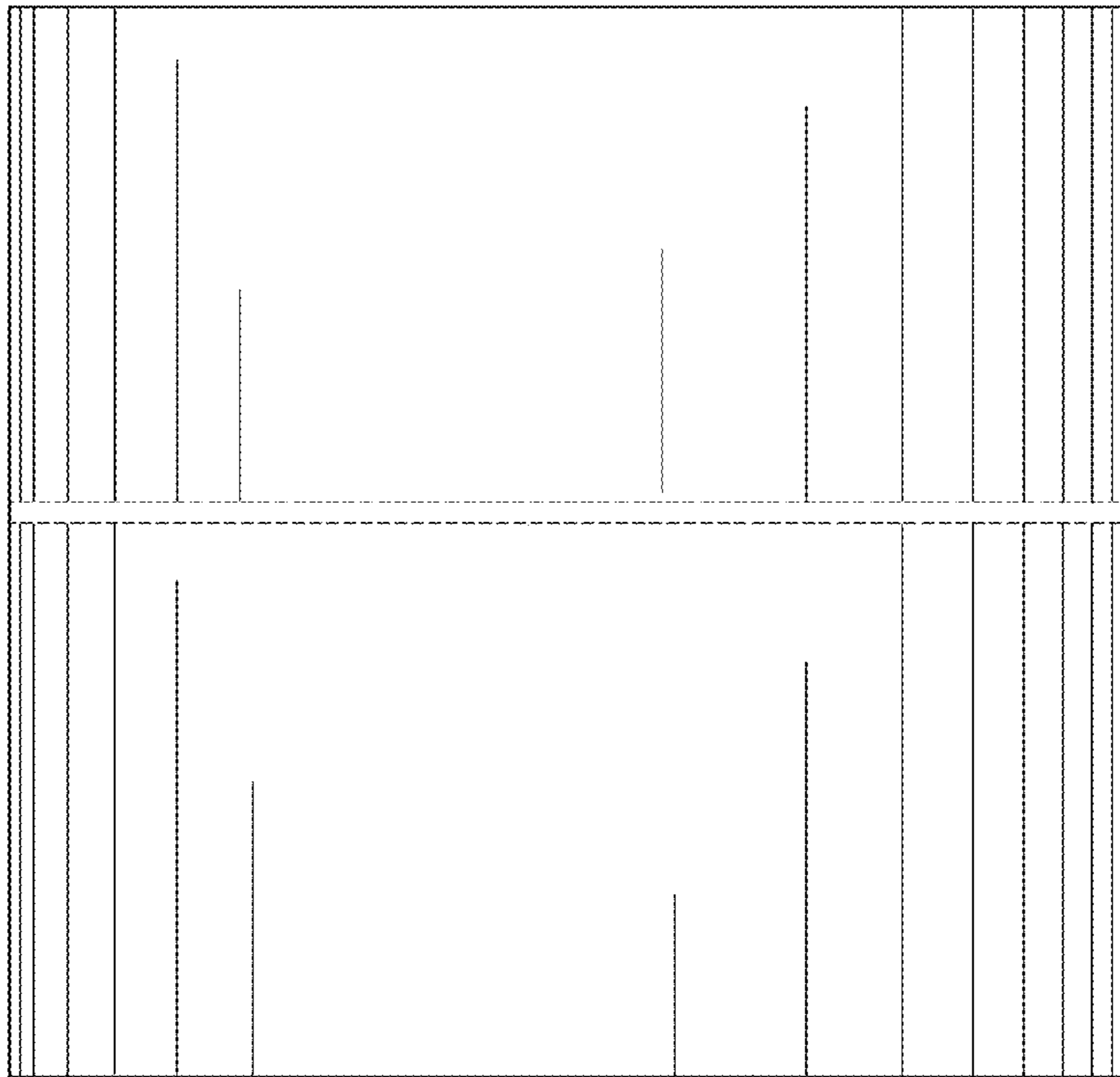


FIG.7

